



US00D976915S

(12) **United States Design Patent**
Zhou

(10) **Patent No.:** **US D976,915 S**
(45) **Date of Patent:** **** Jan. 31, 2023**

(54) **PROTECTIVE FILM COMPRISED OF THREE LAYERS**

(71) Applicant: **ShengJie Zhou**, DongGuan (CN)

(72) Inventor: **ShengJie Zhou**, DongGuan (CN)

(**) Term: **15 Years**

(21) Appl. No.: **29/845,717**

(22) Filed: **Jul. 11, 2022**

(30) **Foreign Application Priority Data**

Jun. 15, 2022 (CN) 202230367850.0

(51) **LOC (14) Cl.** **14-02**

(52) **U.S. Cl.**

USPC **D14/440**

(58) **Field of Classification Search**

USPC D14/440, 447, 250, 432, 439;
361/679.55; 206/45.23, 320, 45.2;
294/25; 455/575.8; D3/294

(Continued)

(56) **References Cited**

U.S. PATENT DOCUMENTS

2,194,669 A * 3/1940 Melvin B65D 5/326
206/454
5,386,964 A * 2/1995 Mayo B43L 3/00
428/68

(Continued)

FOREIGN PATENT DOCUMENTS

CN 306708367 S 7/2021
CN 306953404 S 11/2021
KR 3007371430000 S 4/2014

Primary Examiner — Cynthia R Underwood

(74) *Attorney, Agent, or Firm* — Andrew C. Cheng

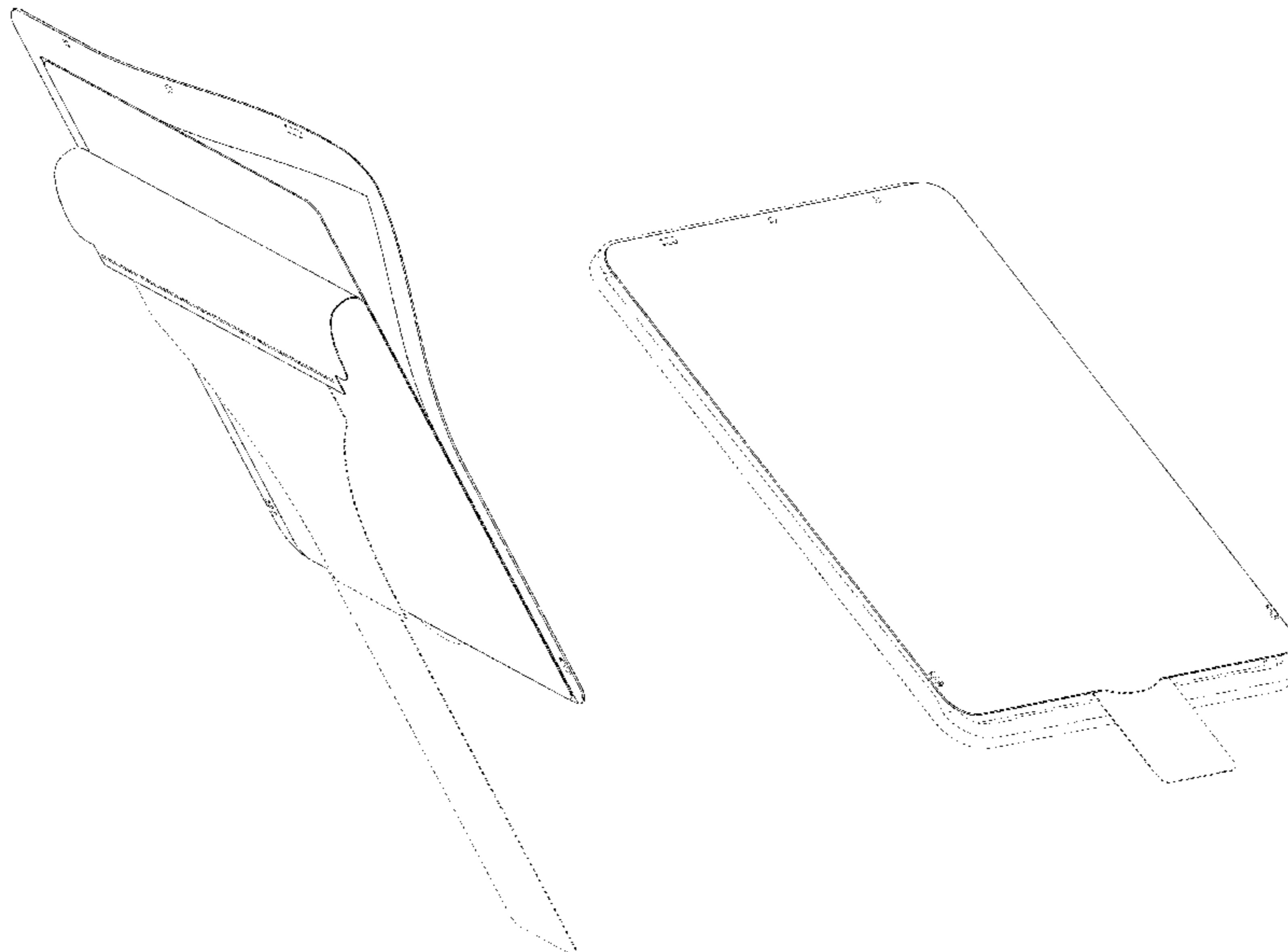
(57) **CLAIM**

I claim the ornamental design for a protective film comprised of three layers, as shown and described.

DESCRIPTION

FIG. 1 is a top, front, left side perspective view of a protective film, showing a three-layer structure thereof according to my new design;
FIG. 2 is a bottom, rear, right side perspective view thereof;
FIG. 3 is a front view thereof;
FIG. 4 is a rear view thereof;
FIG. 5 is a left view thereof;
FIG. 6 is a right view thereof;
FIG. 7 is a top view thereof;
FIG. 8 is a bottom view thereof;
FIG. 9 is a first perspective view thereof, showing the three-layer structure of the protective film;
FIG. 10 is a second perspective view thereof, showing the three-layer structure of the protective film;
FIG. 11 is an exploded view thereof, showing the separation state of the protective film;
FIG. 12 is a first perspective reference view thereof in an environment of the protective film in which it may be used;
FIG. 13 is a second perspective reference view thereof in an environment of the protective film in which it may be used;
FIG. 14 is an enlarged view of area '14' in FIG. 5;
FIG. 15 is an enlarged view of area '15' in FIG. 5;
FIG. 16 is an enlarged view of area '16' in FIG. 6;
FIG. 17 is an enlarged view of area '17' in FIG. 6;
FIG. 18 is an enlarged view of area '18' in FIG. 7;
FIG. 19 is an enlarged view of area '19' in FIG. 7;
FIG. 20 is an enlarged view of area '20' in FIG. 8; and,
FIG. 21 is an enlarged view of area '21' in FIG. 8.
The broken lines depict portions of the invention that form no part of the claim. The dot-dash lines depict boundaries of the enlarged portions and form no part of the claimed design.

1 Claim, 21 Drawing Sheets



(58) **Field of Classification Search**
 CPC ... G06F 1/1628; G06F 1/1626; A47B 23/044;
 A45C 11/00
 See application file for complete search history.

(56) **References Cited**

U.S. PATENT DOCUMENTS

5,727,766 A * 3/1998 Mayo A47B 21/045
 40/772
 D612,818 S * 3/2010 Lents, Jr. D14/125
 8,044,942 B1 * 10/2011 Leonhard G06F 3/041
 345/173
 D658,164 S * 4/2012 Chan D14/238.1
 D665,808 S * 8/2012 Wang D14/439
 8,517,367 B1 * 8/2013 Napier B32B 37/18
 269/289 R
 D727,330 S * 4/2015 Reaux D14/440
 9,110,214 B2 * 8/2015 Lee G02F 1/133308
 D746,265 S * 12/2015 Colby D14/432
 D747,320 S * 1/2016 Snyder D14/440
 9,285,634 B2 * 3/2016 Kim G02B 6/0055
 D758,363 S * 6/2016 Akana D14/344
 D773,927 S * 12/2016 Cernokus D14/432
 D774,036 S * 12/2016 Kuntz D14/440
 D781,861 S * 3/2017 Lane D14/432
 D783,024 S * 4/2017 Conley D14/432
 D800,126 S * 10/2017 Wadsworth D14/432
 D800,127 S * 10/2017 Beaupre D14/432
 D800,128 S * 10/2017 Beaupre D14/432
 D800,129 S * 10/2017 Wadsworth D14/432
 D800,130 S * 10/2017 Beaupre D14/432
 D800,131 S * 10/2017 Wadsworth D14/432
 D800,725 S * 10/2017 Akana D14/371
 D802,594 S * 11/2017 Beaupre D14/432
 D811,404 S * 2/2018 Wadsworth D14/432
 D811,405 S * 2/2018 Wadsworth D14/432
 D811,407 S * 2/2018 Wadsworth D14/432
 D811,408 S * 2/2018 Wadsworth D14/432
 D812,062 S * 3/2018 MacDonald D14/432
 D812,063 S * 3/2018 Lane D14/432
 D835,108 S * 12/2018 MacDonald D14/432
 D836,115 S * 12/2018 Beaupre D14/432
 D836,644 S * 12/2018 Li B32B 38/10
 D14/440
 D843,588 S * 3/2019 Slowey D24/189
 D844,011 S * 3/2019 Lin D14/440
 D844,012 S * 3/2019 Leipold G02B 7/00
 D14/450
 D844,624 S * 4/2019 Liu D14/450
 D844,625 S * 4/2019 Liu D14/450
 D844,626 S * 4/2019 Liu D14/450
 D852,198 S * 6/2019 Moore D14/440

D856,991 S * 8/2019 Wadsworth D14/432
 D856,992 S * 8/2019 Beaupre D14/250
 D863,307 S * 10/2019 Yi D14/432
 D863,308 S * 10/2019 Yi D14/432
 D870,706 S * 12/2019 Lin D14/217
 D876,438 S * 2/2020 Lin D14/432
 10,608,689 B2 * 3/2020 Chaves B32B 38/10
 10,624,219 B2 * 4/2020 Sisson H05K 5/0017
 D900,112 S * 10/2020 Cho D14/439
 D900,813 S * 11/2020 Akana D14/371
 D912,057 S * 3/2021 Chang D14/439
 D915,409 S * 4/2021 Koo D14/439
 D915,415 S * 4/2021 Lee D14/450
 D917,490 S * 4/2021 Lee D14/439
 D920,334 S * 5/2021 Akana D14/439
 11,044,354 B2 * 6/2021 Bulkley G06F 1/1656
 D926,192 S * 7/2021 Chang D14/439
 D926,765 S * 8/2021 Akana D14/439
 D926,767 S * 8/2021 Akana D14/439
 D928,163 S * 8/2021 Akana D14/439
 11,111,418 B2 * 9/2021 Colby B32B 27/283
 D942,017 S * 1/2022 Ahearn D24/184
 D948,515 S * 4/2022 Jeon D14/440
 D948,516 S * 4/2022 Jeon D14/440
 D948,517 S * 4/2022 Jeon D14/440
 D948,518 S * 4/2022 Jeon D14/440
 11,420,381 B2 * 8/2022 Lane B32B 37/12
 2003/0082327 A1 * 5/2003 Pearson G09F 3/10
 156/289
 2007/0181456 A1 * 8/2007 Kusuda G06F 3/045
 206/443
 2009/0301907 A1 * 12/2009 Mason B29C 63/0004
 206/223
 2010/0092713 A1 * 4/2010 Bullard C09J 7/22
 428/40.1
 2011/0267793 A1 * 11/2011 Cohen B32B 37/182
 361/679.01
 2011/0293870 A1 * 12/2011 Lin B32B 25/20
 428/42.1
 2012/0087072 A1 * 4/2012 McGuire B29C 63/02
 361/679.01
 2015/0041069 A1 * 2/2015 Wadsworth B32B 37/26
 156/535
 2015/0107767 A1 * 4/2015 Wadsworth B29C 66/861
 156/324
 2015/0169089 A1 * 6/2015 Dixon B05D 1/30
 427/256
 2015/0246514 A1 * 9/2015 LaColla B29C 63/02
 156/60
 2015/0273786 A1 * 10/2015 Ozeki B32B 27/36
 428/41.7
 2017/0001364 A1 * 1/2017 MacDonald B29C 65/7802

* cited by examiner

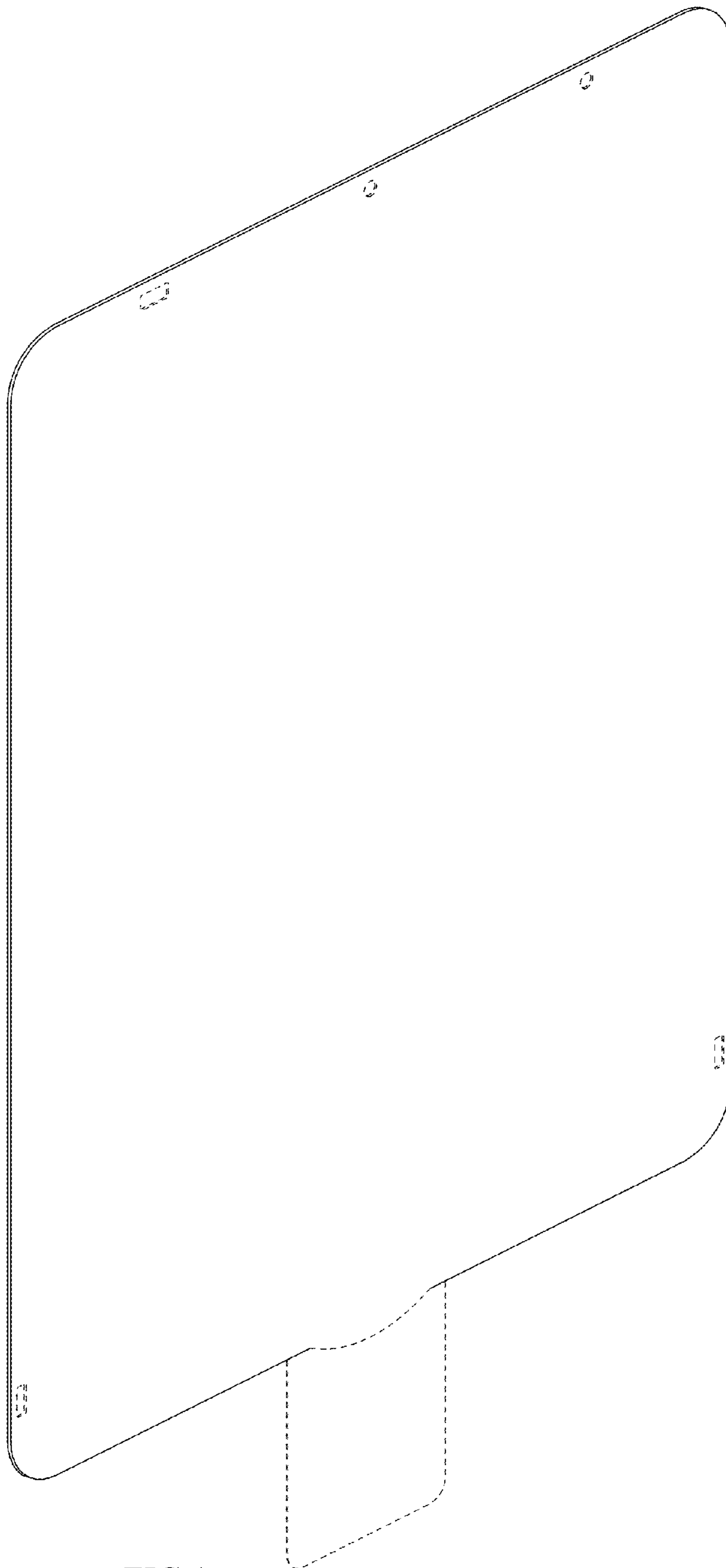


FIG.1

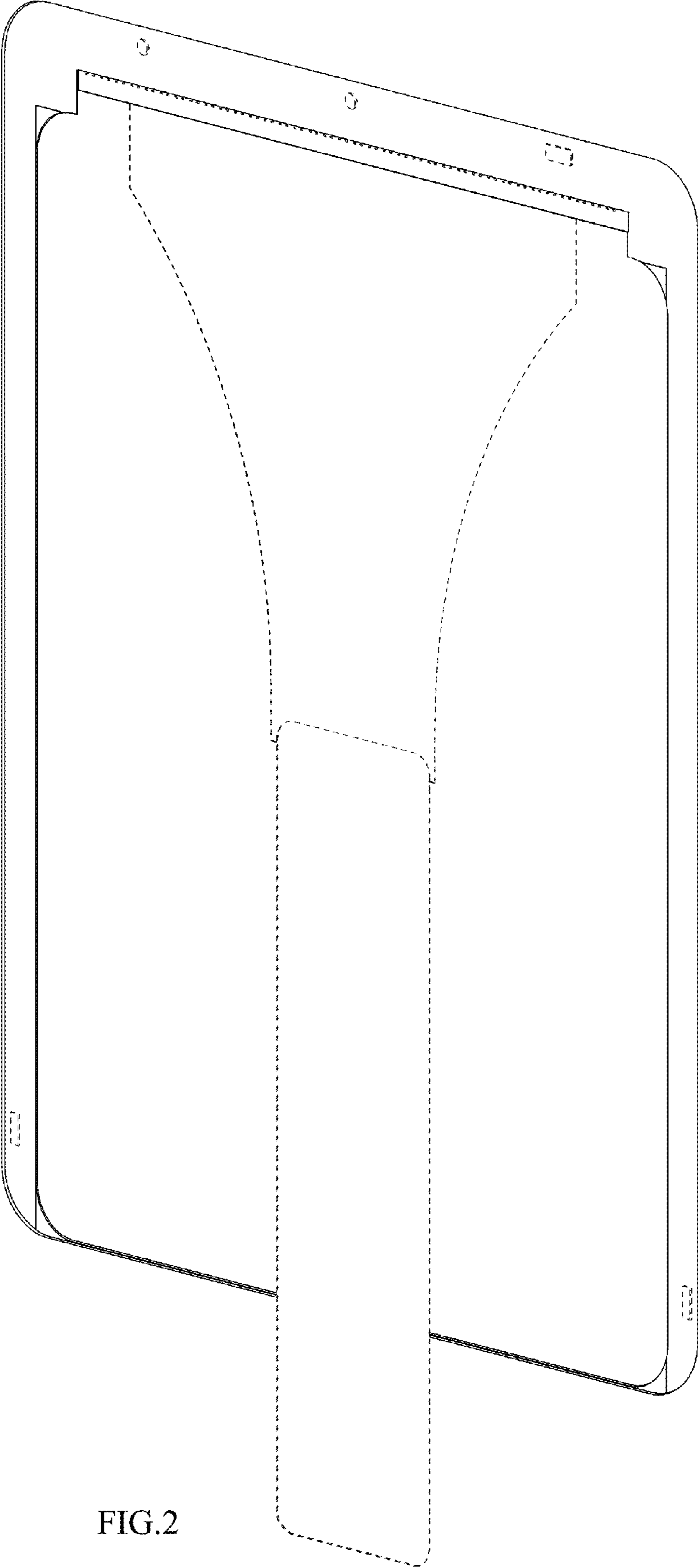


FIG.2

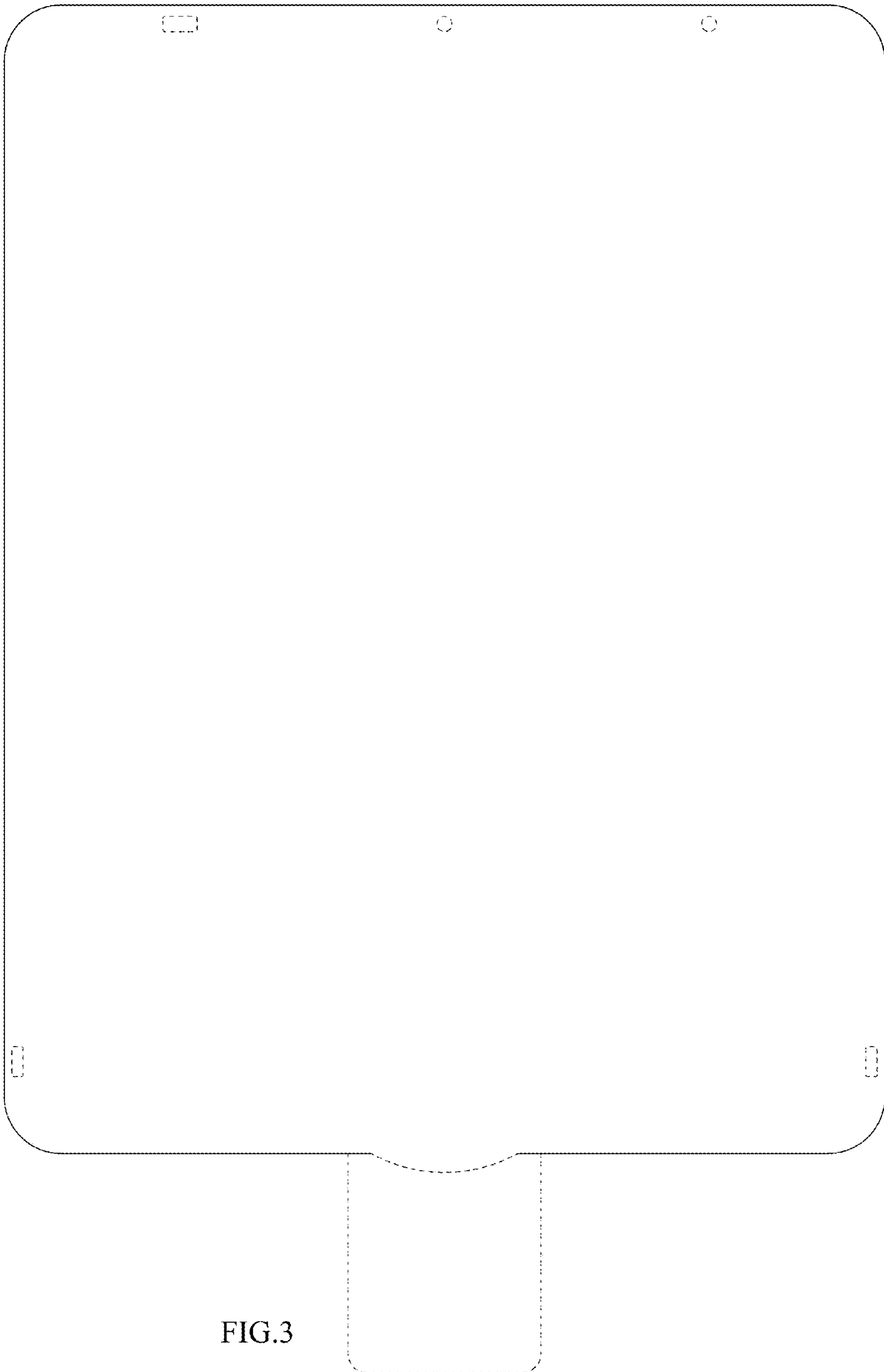


FIG.3

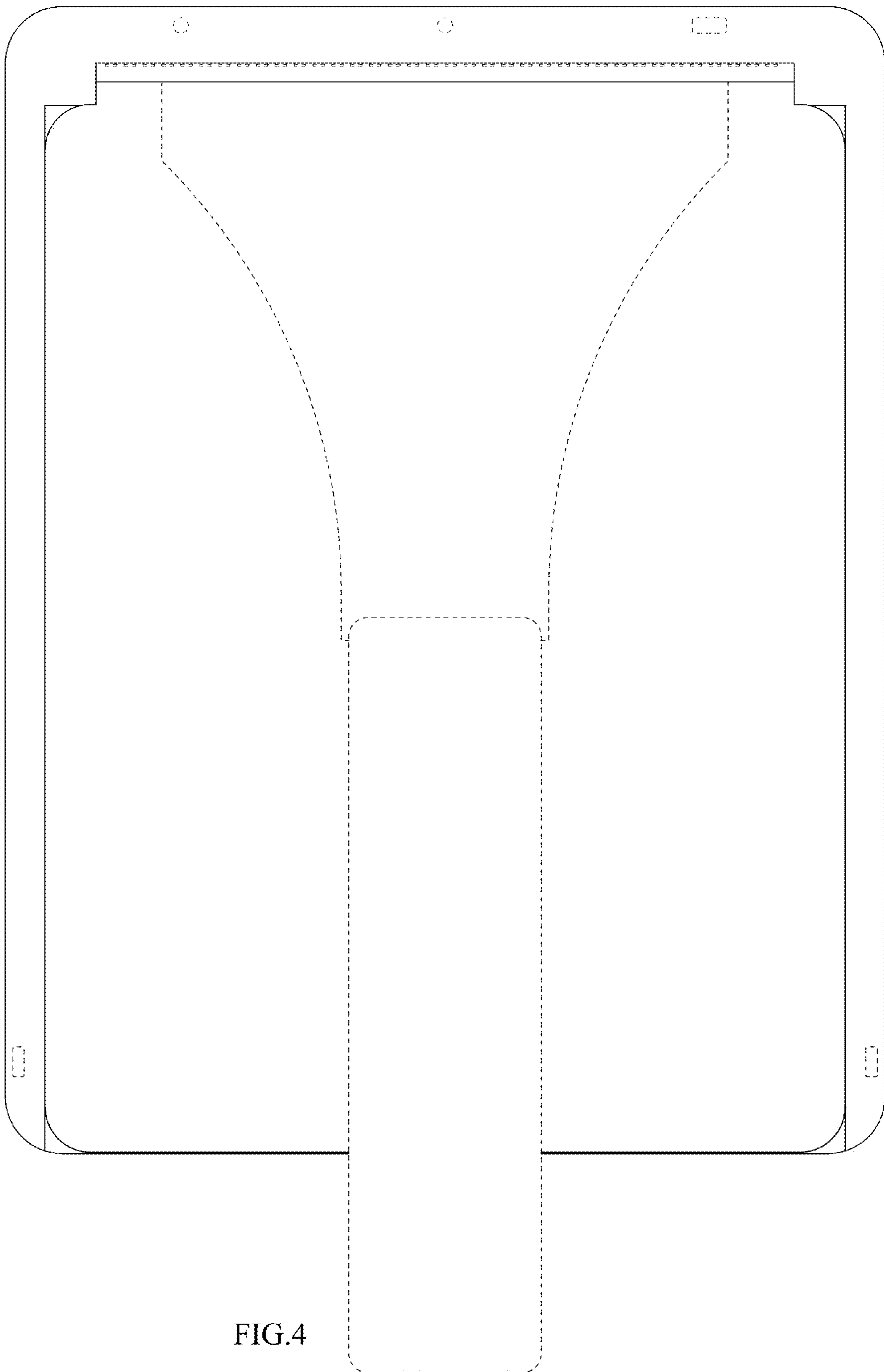


FIG. 4

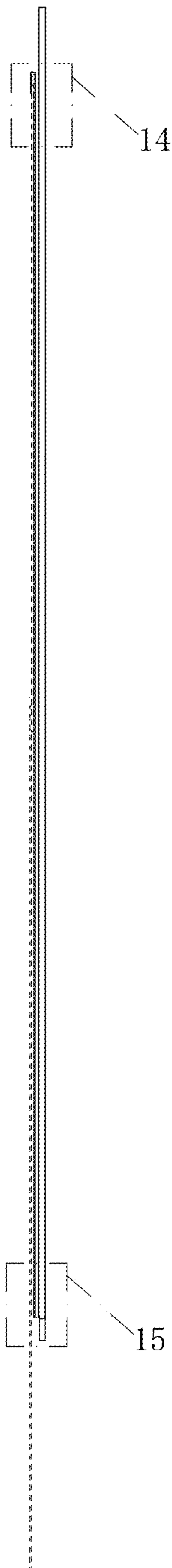


FIG.5

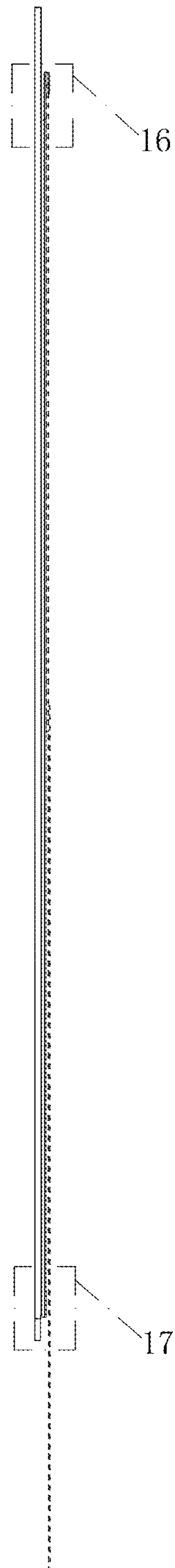


FIG.6

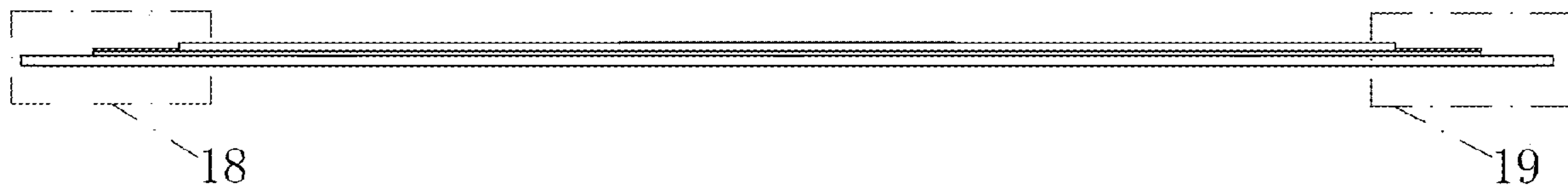


FIG.7

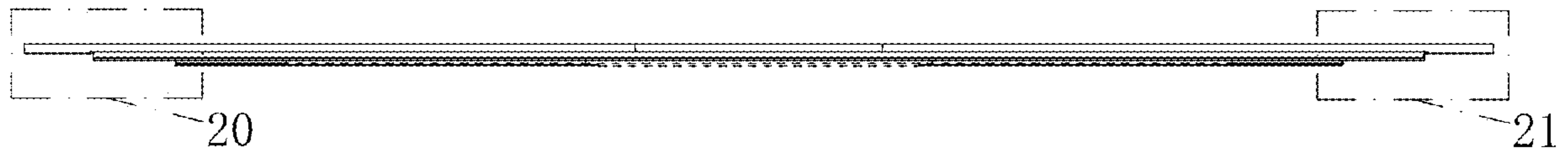


FIG.8

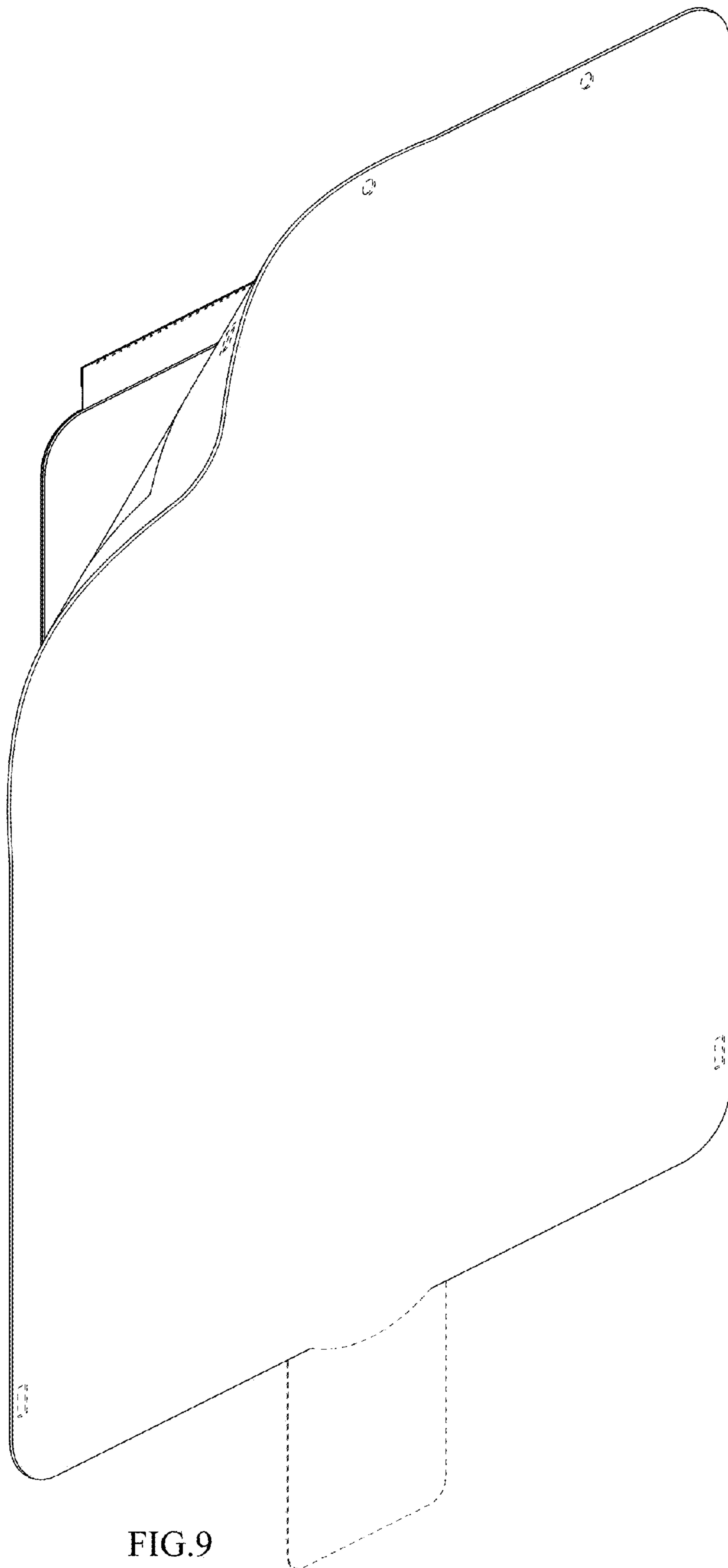


FIG.9

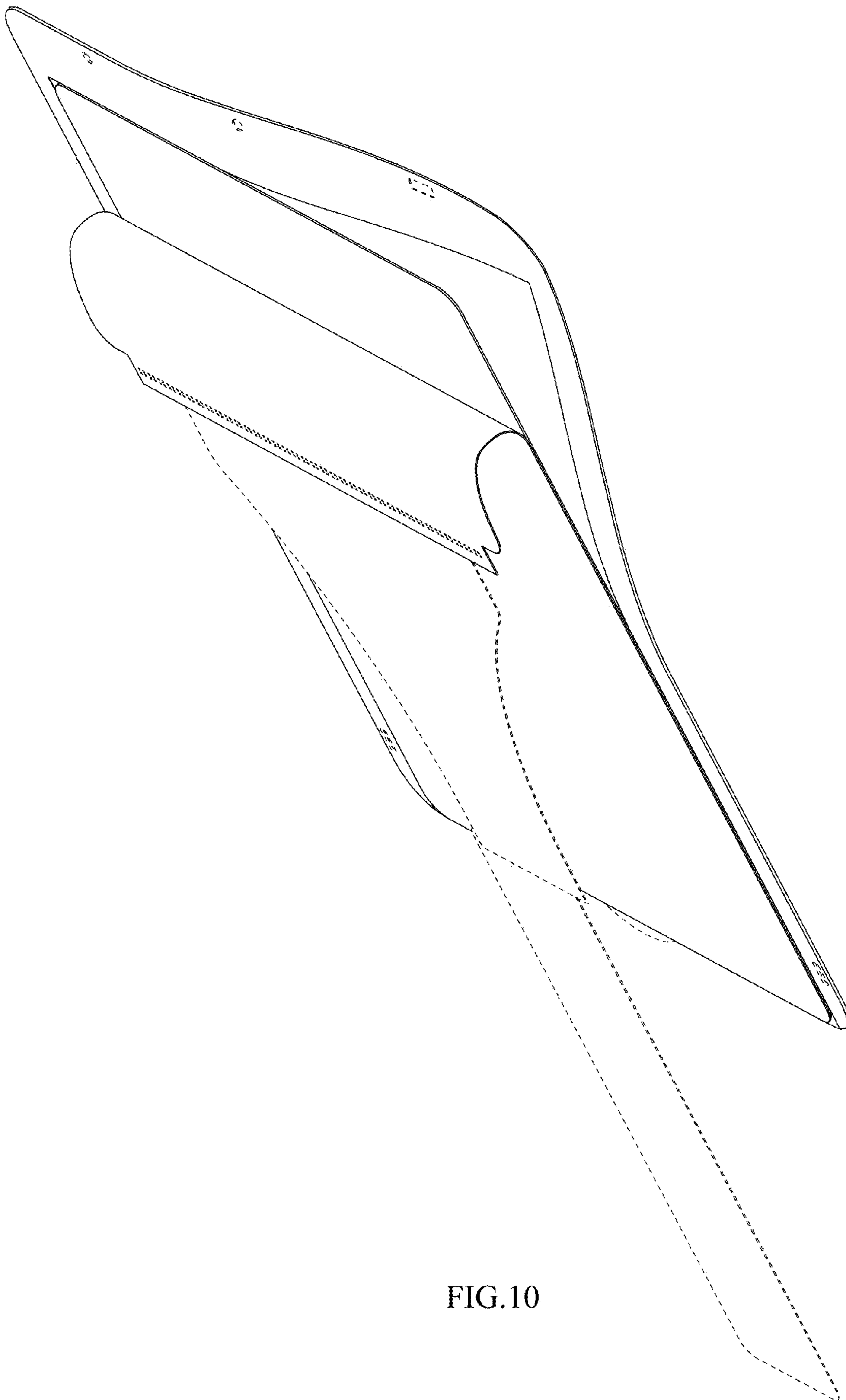


FIG.10

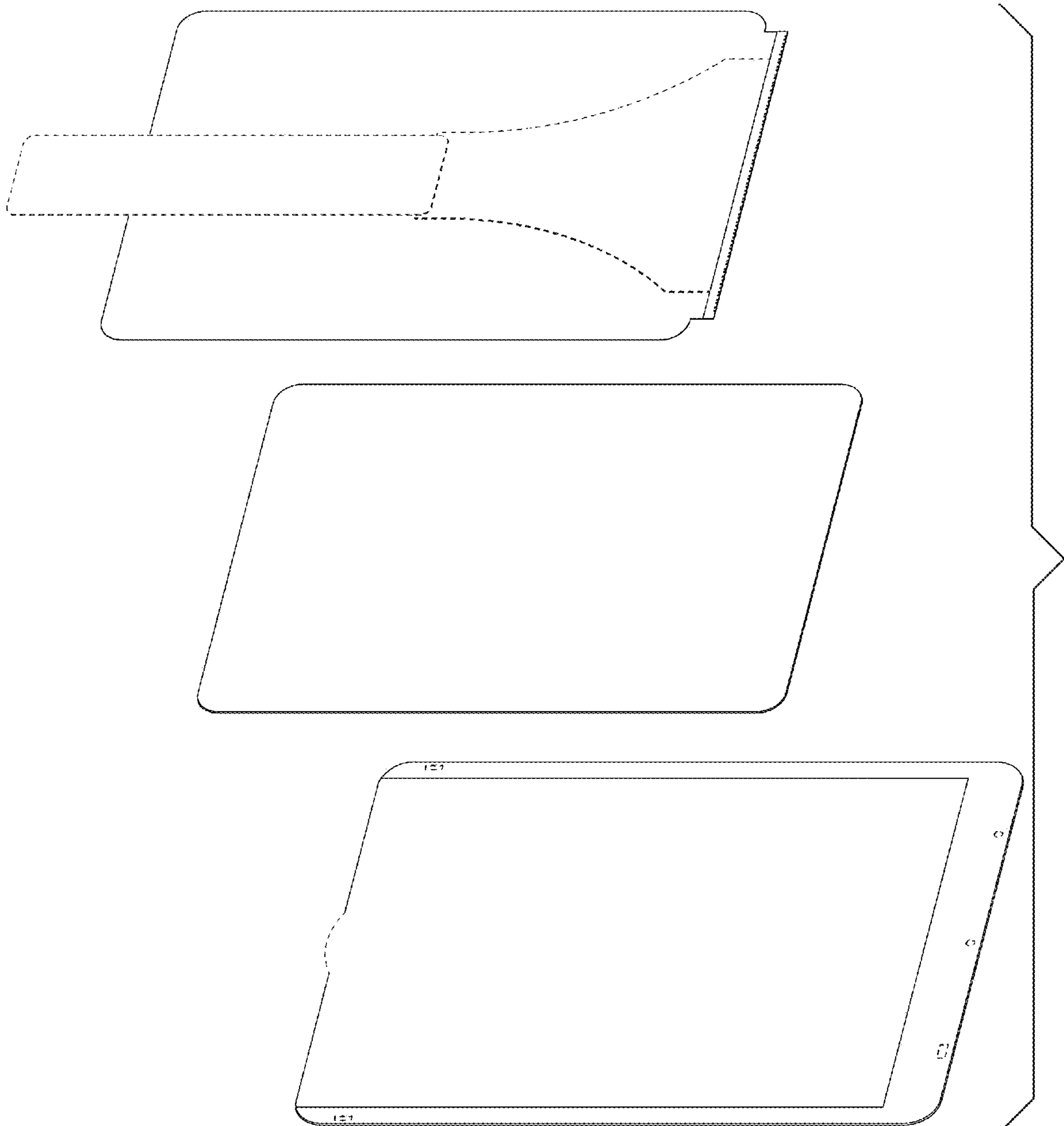


FIG.11

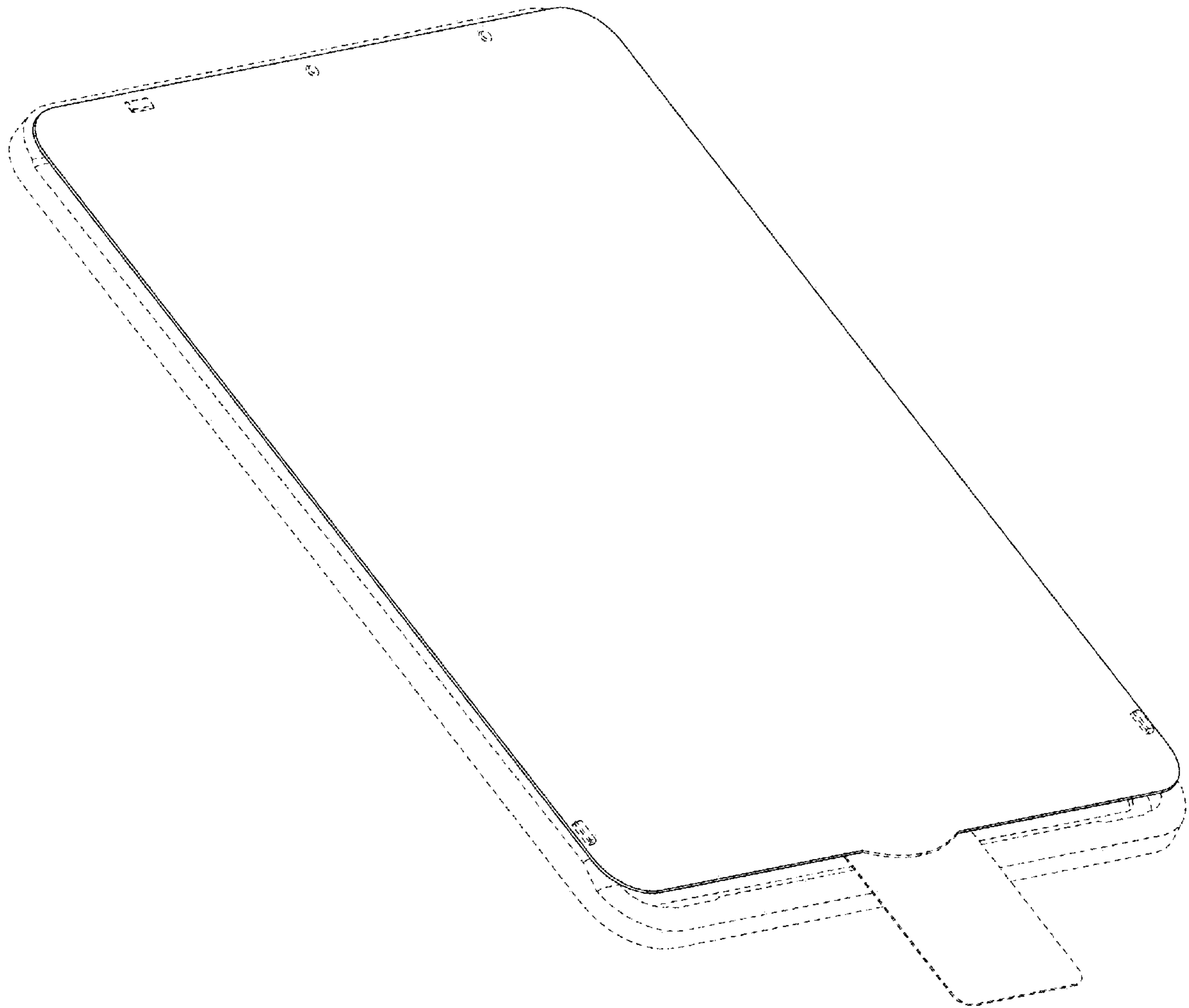


FIG.12

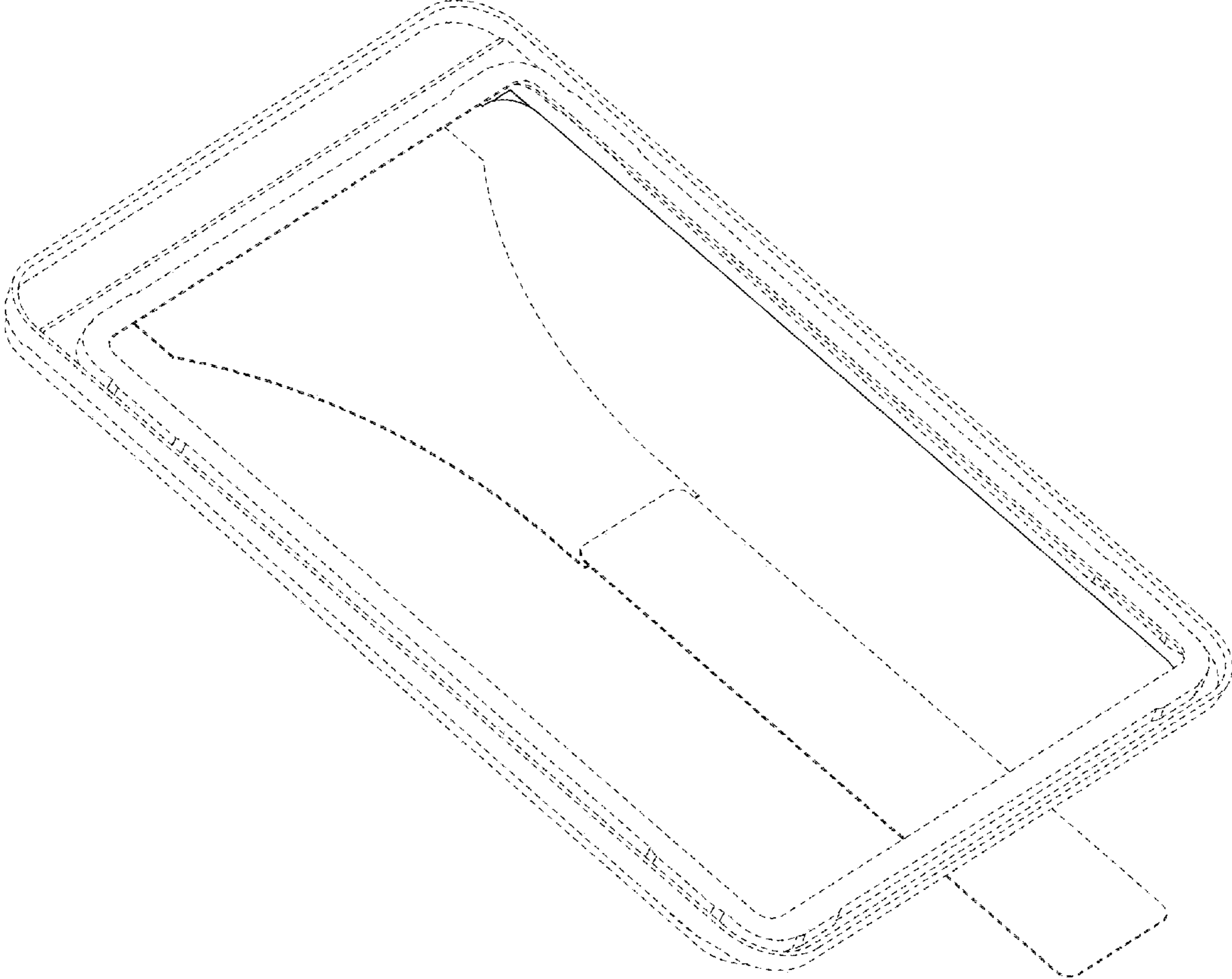


FIG.13

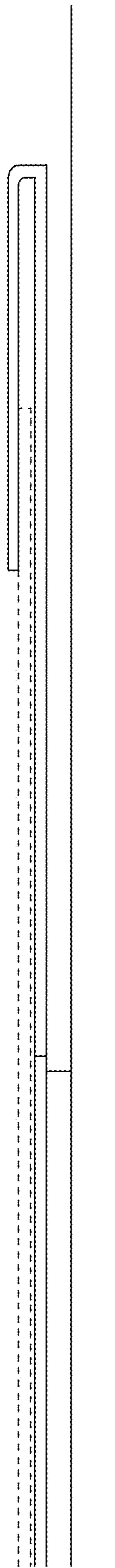


FIG.14

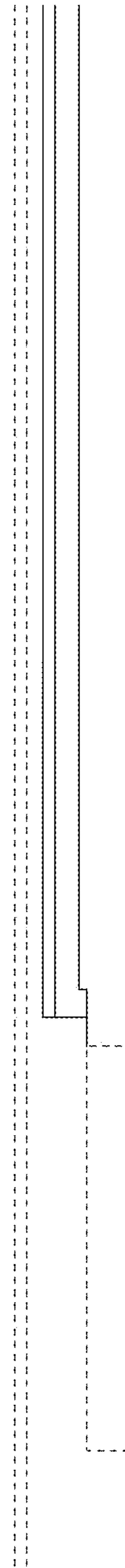


FIG.15

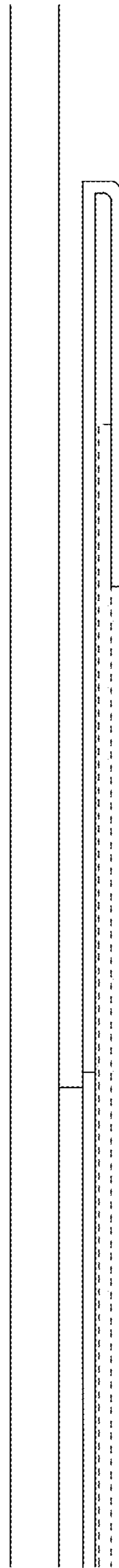


FIG.16

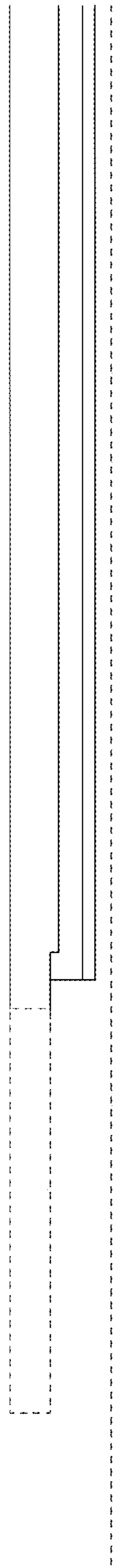


FIG.17

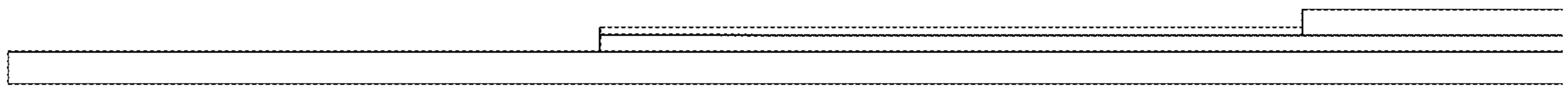


FIG.18

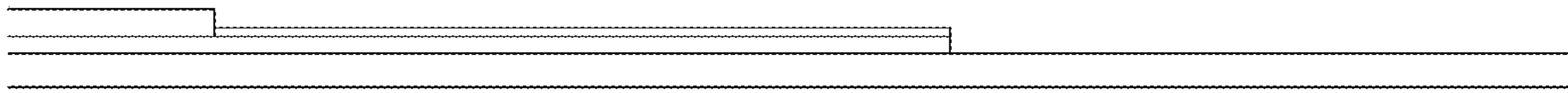


FIG. 19

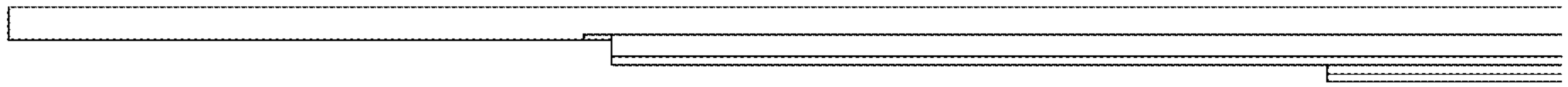


FIG.20

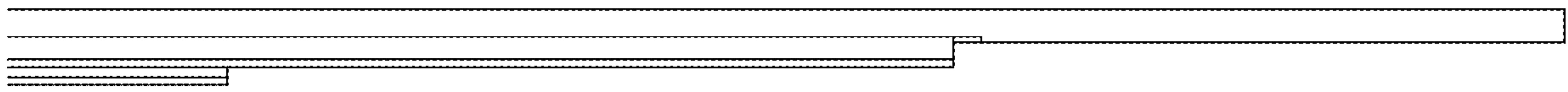


FIG.21