



US00D976913S

(12) **United States Design Patent**  
**Wu**

(10) **Patent No.:** **US D976,913 S**

(45) **Date of Patent:** **\*\* Jan. 31, 2023**

(54) **TABLET CASE**

(71) Applicant: **Shenzhen Yadimeishi Technology Co., Ltd.**, Shenzhen (CN)

(72) Inventor: **Ruxi Wu**, Shenzhen (CN)

(73) Assignee: **Shenzhen Yadimeishi Technology Co., Ltd.**

(\*\*) Term: **15 Years**

(21) Appl. No.: **29/811,811**

(22) Filed: **Oct. 17, 2021**

(51) **LOC (14) Cl.** ..... **14-02**

(52) **U.S. Cl.**  
USPC ..... **D14/440**

(58) **Field of Classification Search**  
USPC ..... D14/440, 447; D3/276  
CPC . A45C 11/34; A45C 15/00; G06F 1/20; G06F 1/203  
See application file for complete search history.

(56) **References Cited**

**U.S. PATENT DOCUMENTS**

D658,187 S *	4/2012	Diebel	.....	G06F 1/1628	D14/440
D663,304 S *	7/2012	Akana	.....		D14/440
D665,168 S *	8/2012	Dawson	.....	D3/276	
D673,158 S *	12/2012	Yang	.....		D14/440
D689,054 S *	9/2013	Snyder	.....		D14/440
D693,823 S *	11/2013	Chen	.....		D14/440
D696,669 S *	12/2013	Akana	.....		D14/440
D700,186 S *	2/2014	Feng	.....		D14/447
D707,683 S *	6/2014	Nam-Su	.....		D14/440
D710,857 S *	8/2014	Mecchella	.....		D14/440
D720,355 S *	12/2014	Akana	.....		D14/440
D735,205 S *	7/2015	Akana	.....		D14/440
D792,884 S *	7/2017	Nyholm	.....		D14/440
D801,343 S *	10/2017	Akana	.....		D14/440

D817,334 S *	5/2018	Fenton	.....	D14/440
D823,854 S *	7/2018	Enqvist	.....	D14/440
D832,856 S *	11/2018	Jinkinson	.....	D14/440

(Continued)

**FOREIGN PATENT DOCUMENTS**

FR	2985160 A3 *	7/2013	.....	A45C 11/00
KR	300635178.0000 *	3/2012		

**OTHER PUBLICATIONS**

Best ipad cases 2022, Esquire article, date visited Aug. 12, 2022, <https://www.esquire.com/lifestyle/g39438513/best-ipad-cases/>.\*

*Primary Examiner* — John R Yeh

(74) *Attorney, Agent, or Firm* — Justin Lampel

(57) **CLAIM**

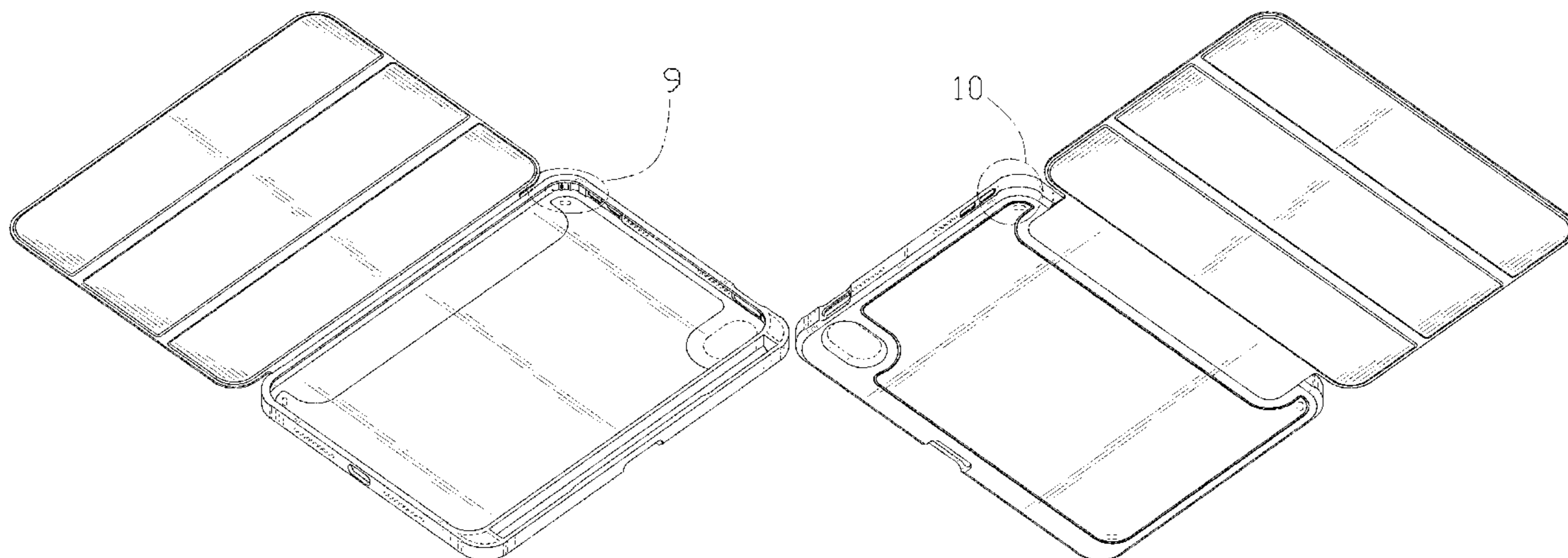
The ornamental design for a tablet case, as shown and described.

**DESCRIPTION**

FIG. 1 is a front, right, and top perspective view of a tablet case, showing my design;  
FIG. 2 is a rear, left, and bottom perspective view thereof;  
FIG. 3 is a front elevation view thereof;  
FIG. 4 is a rear elevation view thereof;  
FIG. 5 is a left side elevation view thereof;  
FIG. 6 is a right side elevation view thereof;  
FIG. 7 is a top plan view thereof;  
FIG. 8 is a bottom plan view thereof;  
FIG. 9 is a partial enlarged view of an area labeled 9 in FIG. 1; and,  
FIG. 10 is a partial enlarged view of an area labeled 10 in FIG. 2.

The dash-dash broken lines shown in the drawings illustrate portions of the tablet case that form no part of the claimed design. The dot-dash lines illustrate the enlargements in the drawings and form no part of the claimed design.

**1 Claim, 10 Drawing Sheets**



(56)

**References Cited**

U.S. PATENT DOCUMENTS

D864,210 S \* 10/2019 Chan ..... D14/440  
D889,474 S \* 7/2020 Akana ..... D14/440  
D897,349 S \* 9/2020 Li ..... D14/440  
D898,035 S \* 10/2020 Xu ..... D14/440  
D907,638 S 1/2021 Yang  
10,892,625 B1 \* 1/2021 Franklin ..... A45C 15/00  
D920,336 S 5/2021 Cheng  
D923,629 S \* 6/2021 Ma ..... D14/440  
D942,459 S \* 2/2022 Akana ..... D14/440

\* cited by examiner

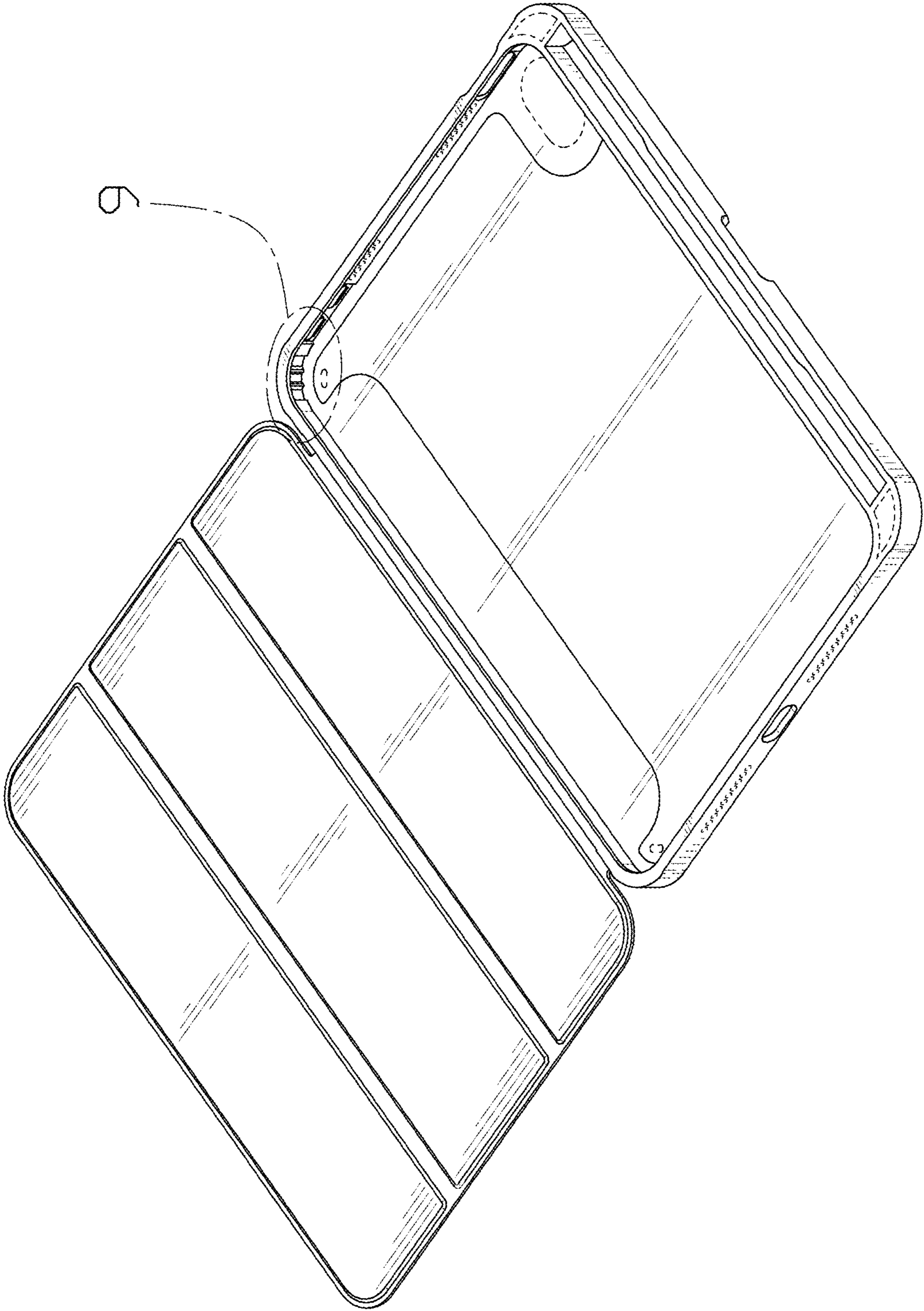


FIG. 1

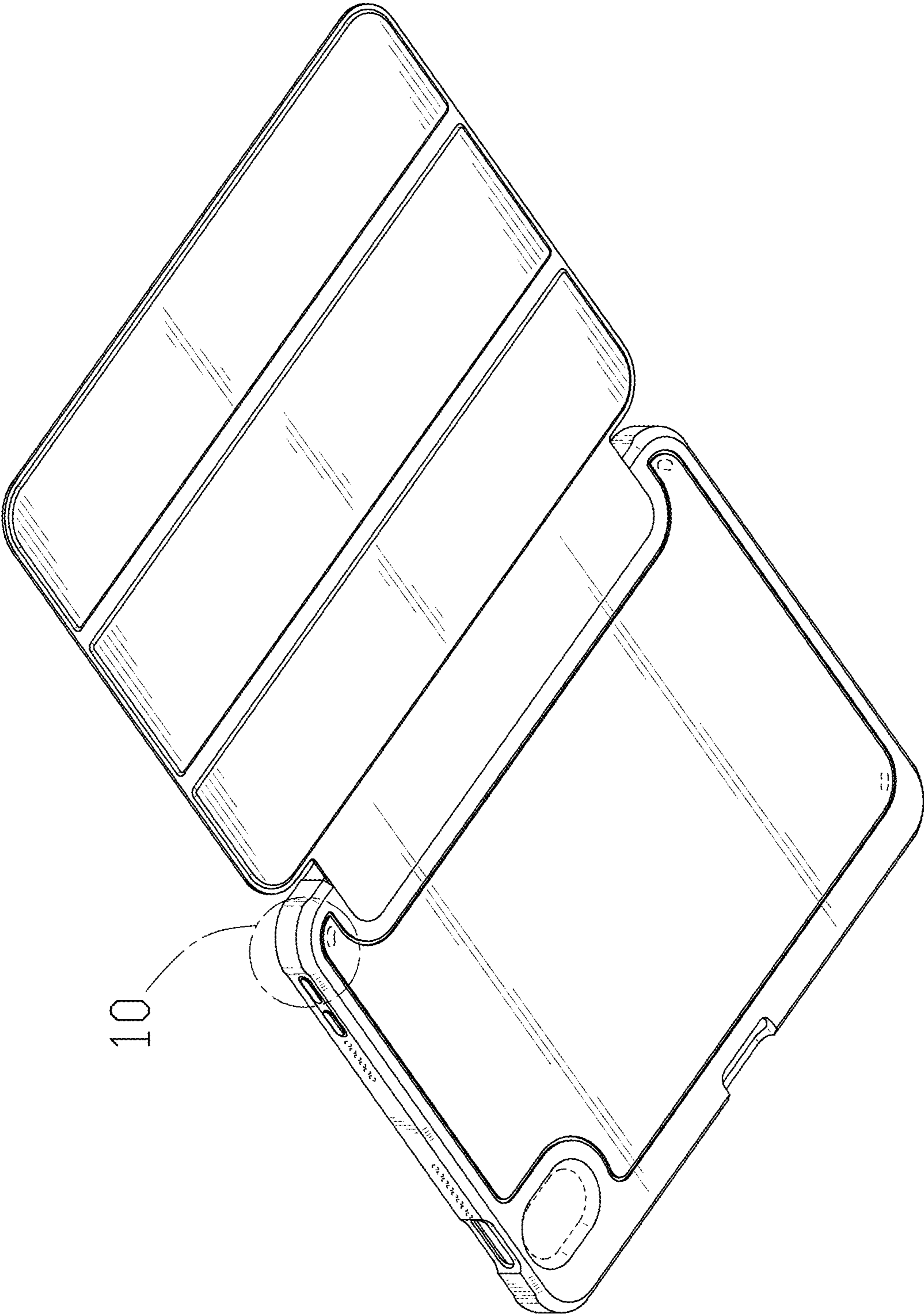


FIG. 2

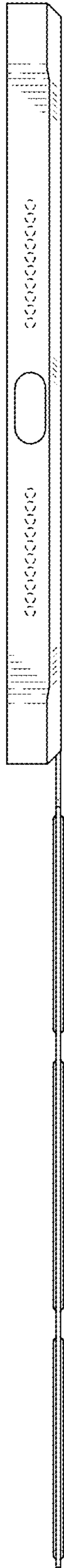


FIG. 3

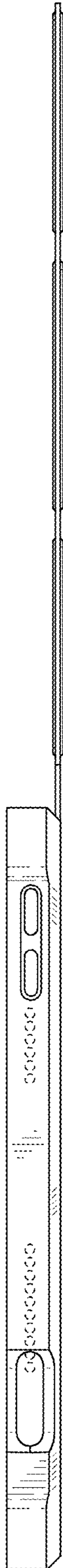


FIG. 4



FIG. 5

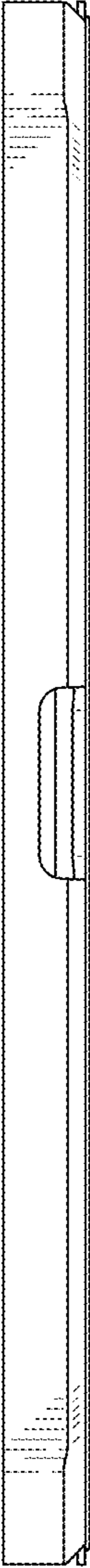


FIG. 6



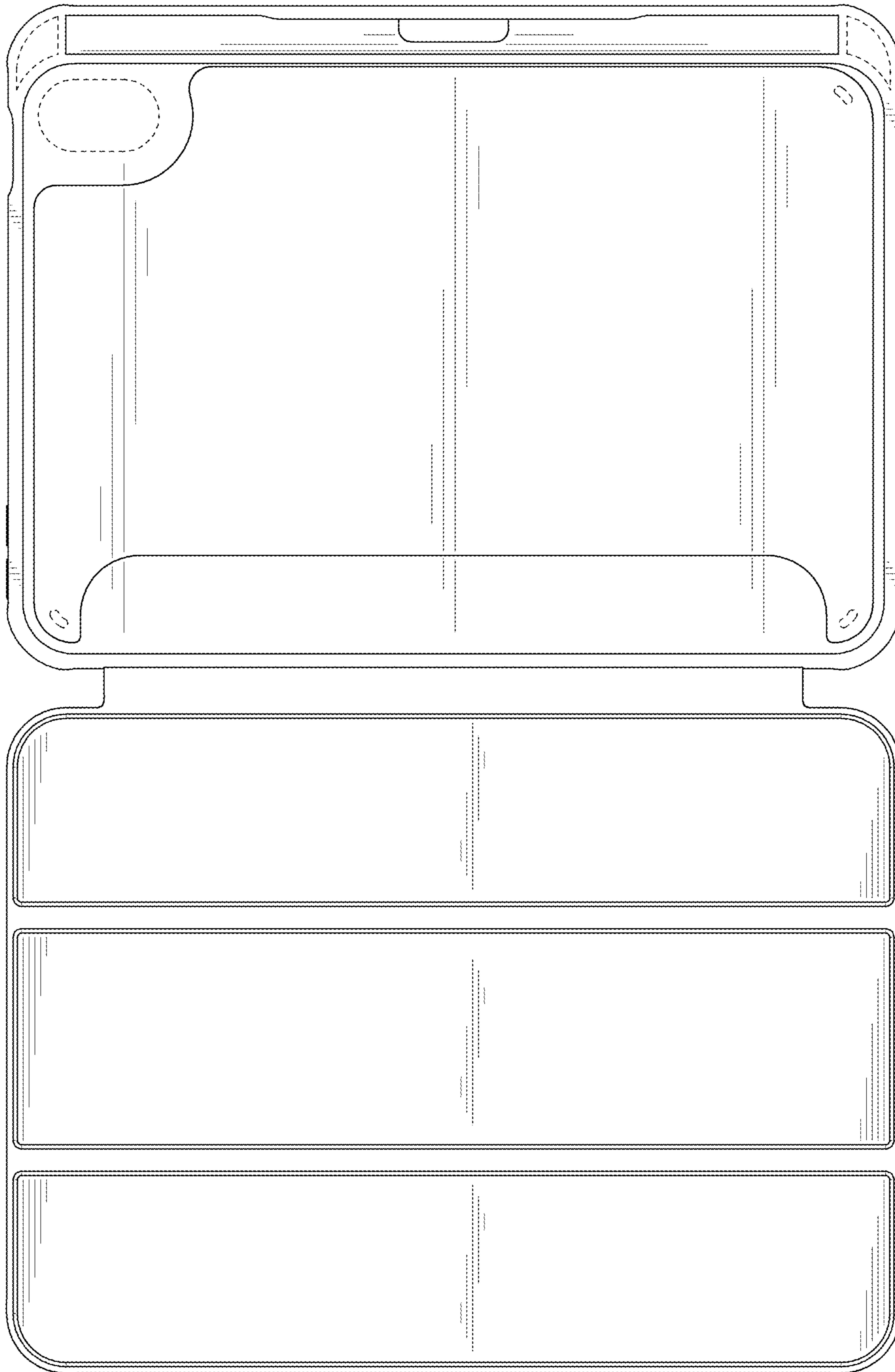


FIG. 7

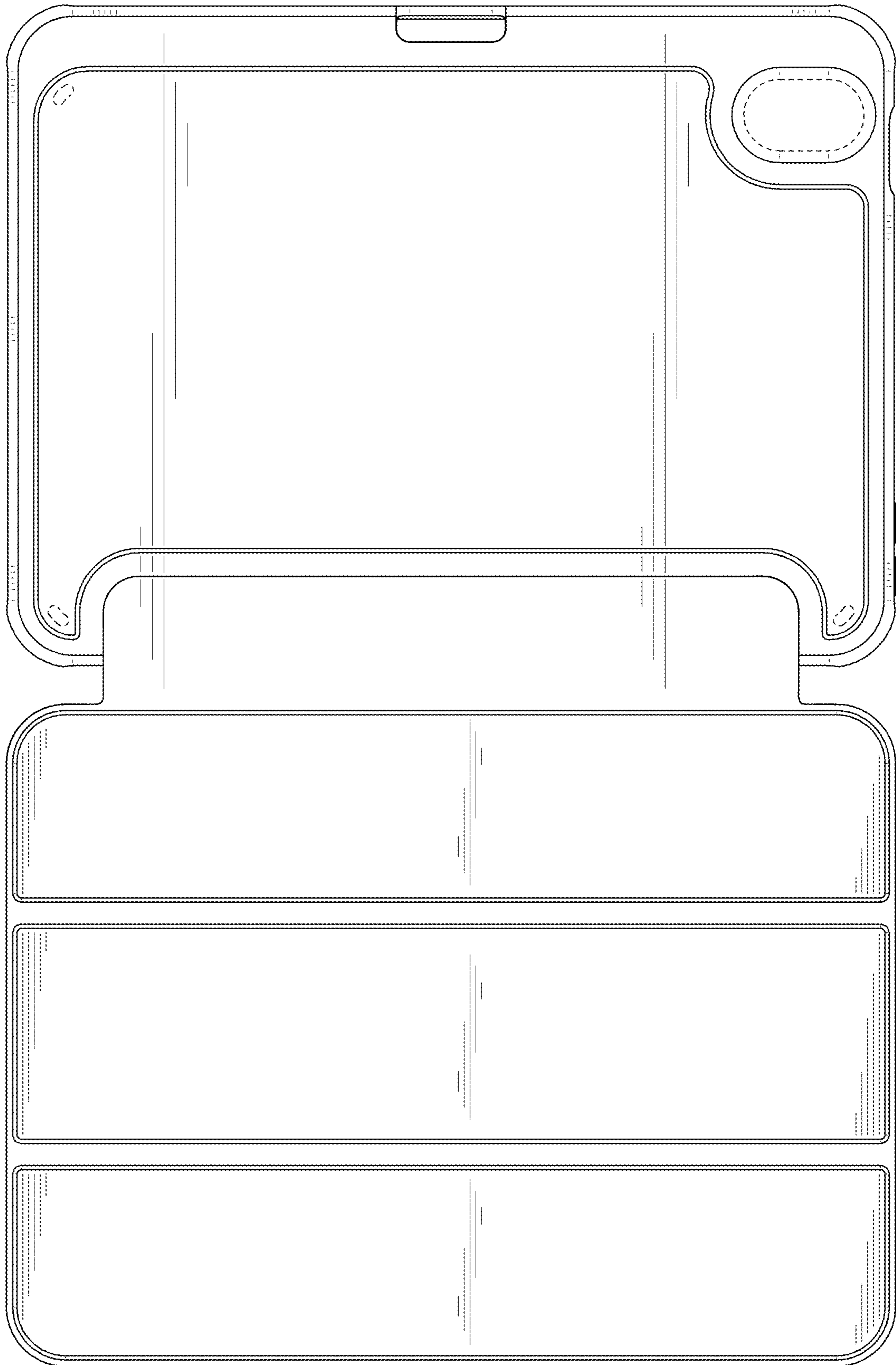


FIG. 8

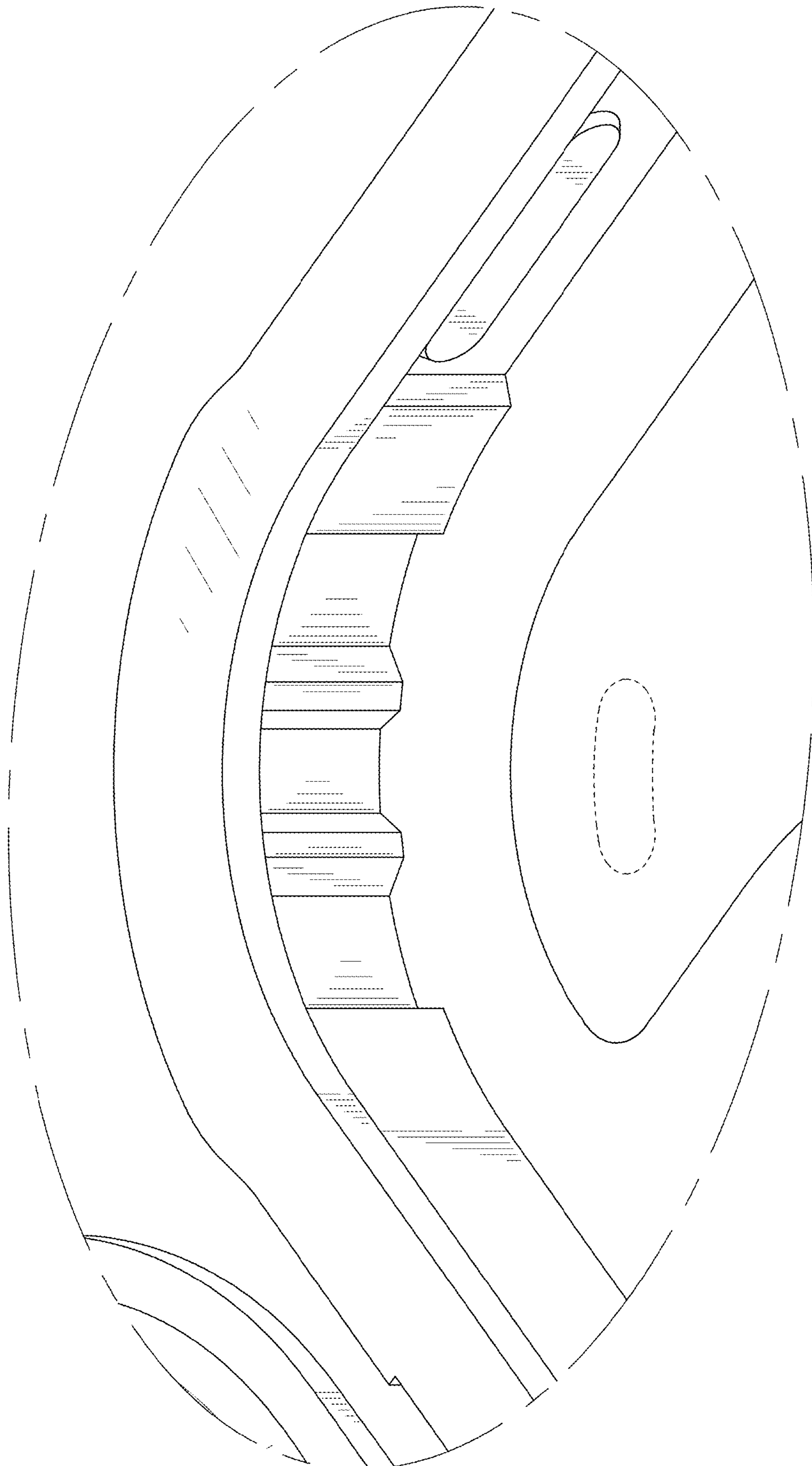


FIG. 9

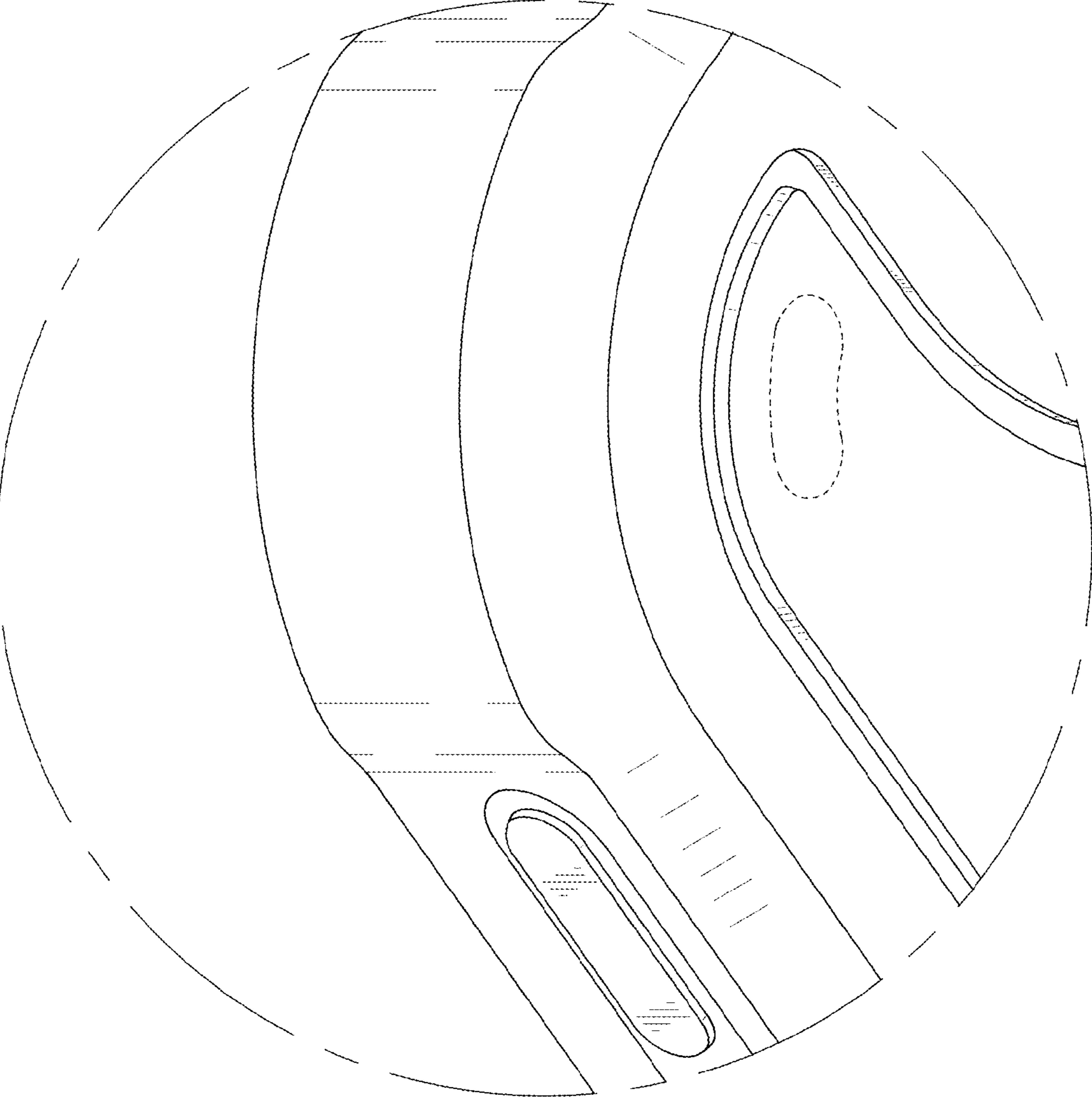


FIG. 10