



US00D976912S

(12) **United States Design Patent**
Yan

(10) **Patent No.:** **US D976,912 S**
(45) **Date of Patent:** **** Jan. 31, 2023**

(54) **CASE FOR A TABLET COMPUTER**

(71) Applicant: **Wei Yan**, Guangxi (CN)

(72) Inventor: **Wei Yan**, Guangxi (CN)

(**) Term: **15 Years**

(21) Appl. No.: **29/760,059**

(22) Filed: **Nov. 27, 2020**

(51) **LOC (14) Cl.** **14-02**

(52) **U.S. Cl.**
USPC **D14/440**

(58) **Field of Classification Search**
USPC D14/440, 447, 250; 361/679.55;
206/45.23, 320, 45.2; 294/25; 455/575.8
CPC ... G06F 1/1628; G06F 1/1626; A47B 23/044;
A45C 11/00; H04B 1/3888
See application file for complete search history.

(56) **References Cited**

U.S. PATENT DOCUMENTS

D696,669	S *	12/2013	Akana	D14/440
D704,689	S *	5/2014	Chang	D3/218
8,763,795	B1 *	7/2014	Oten	B65D 85/00
				206/45.24
8,797,132	B2 *	8/2014	Childs	A45C 11/00
				206/320
D733,151	S *	6/2015	Brierley	D14/440
D734,761	S *	7/2015	Ballou	D14/440
D752,593	S *	3/2016	Diebel	G06F 1/1679
				D14/440
D765,637	S *	9/2016	Lay	D14/250
D765,639	S *	9/2016	Lay	D14/250
D857,023	S *	8/2019	Hyun	D14/440
D934,863	S *	11/2021	Rizvi	D14/374
D942,459	S *	2/2022	Akana	D14/440
D944,804	S *	3/2022	Diebel	G06F 1/1628
				D14/440
D949,867	S *	4/2022	Wu	D14/440

D962,241	S *	8/2022	Zhou	D14/440
D963,654	S *	9/2022	Yan	D14/440
D964,999	S *	9/2022	Li	D14/440
2008/0167095	A1 *	7/2008	Kim	H04M 1/0216
				455/575.3
2009/0159763	A1 *	6/2009	Kim	F16M 13/00
				248/174
2009/0194209	A1 *	8/2009	De Filippis	A45C 11/00
				150/107
2012/0268891	A1 *	10/2012	Cencioni	G06F 1/1656
				361/679.55
2013/0088431	A1 *	4/2013	Ballagas	G09G 5/00
				345/168
2013/0223005	A1 *	8/2013	Smith	G06F 1/1628
				361/679.55

(Continued)

Primary Examiner — Cynthia R Underwood

(57) **CLAIM**

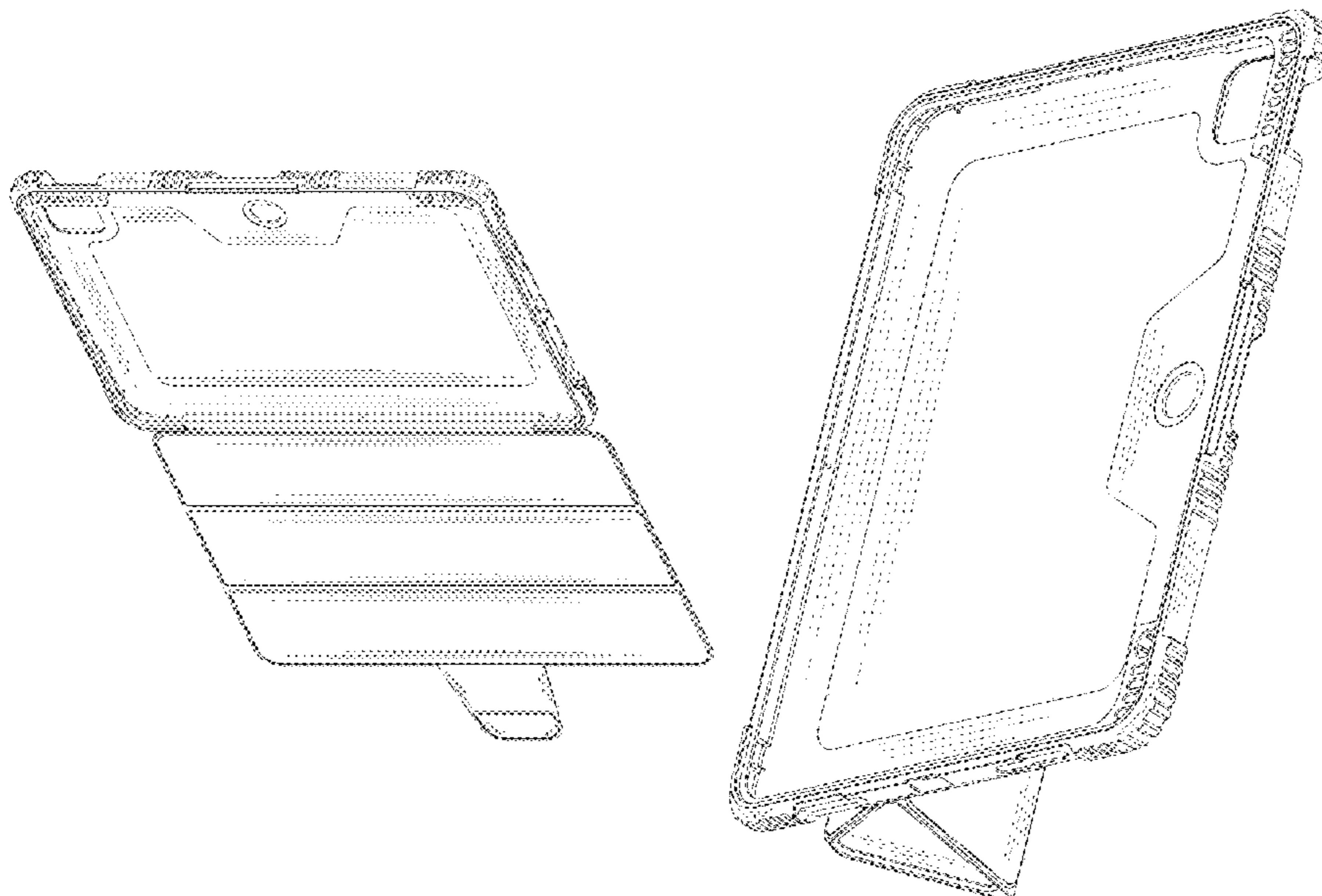
The ornamental design for a case for a tablet computer, as shown and described.

DESCRIPTION

FIG. 1 is a perspective view of a case for a tablet computer shown in an expanded state, showing my new design; FIG. 2 is a front elevation view thereof; FIG. 3 is a rear elevation view thereof; FIG. 4 is a left side elevation view thereof; FIG. 5 is a right side elevation view thereof; FIG. 6 is a top plan view thereof; FIG. 7 is a bottom plan view thereof; FIG. 8 is a perspective view thereof, shown in a use state; and, FIG. 9 is an enlarged view of the encircled portion marked "9" in FIG. 1.

The broken lines in the drawings depict portions of the tablet case that form no part of the claimed design. The broken lines forming the cross section marker in FIGS. 1 and 9 also form no part of the claim.

1 Claim, 9 Drawing Sheets



(56)

References Cited

U.S. PATENT DOCUMENTS

2013/0233762	A1 *	9/2013	Balaji	B65D 25/00 206/736
2013/0241381	A1 *	9/2013	Hynecek	H05K 5/0217 312/240
2014/0246340	A1 *	9/2014	Jiang	A45C 11/00 206/45.23
2015/0065208	A1 *	3/2015	Balaji	H04M 1/04 455/575.8
2015/0151887	A1 *	6/2015	Huang	A45C 11/00 224/191
2015/0237979	A1 *	8/2015	Huang	A45C 11/00 206/45.25
2015/0263776	A1 *	9/2015	Shyu	A45C 13/002 455/575.8
2015/0266610	A1 *	9/2015	Melmon	B65D 5/5206 206/45.23
2015/0280768	A1 *	10/2015	Huang	H04B 1/3888 455/575.8

* cited by examiner

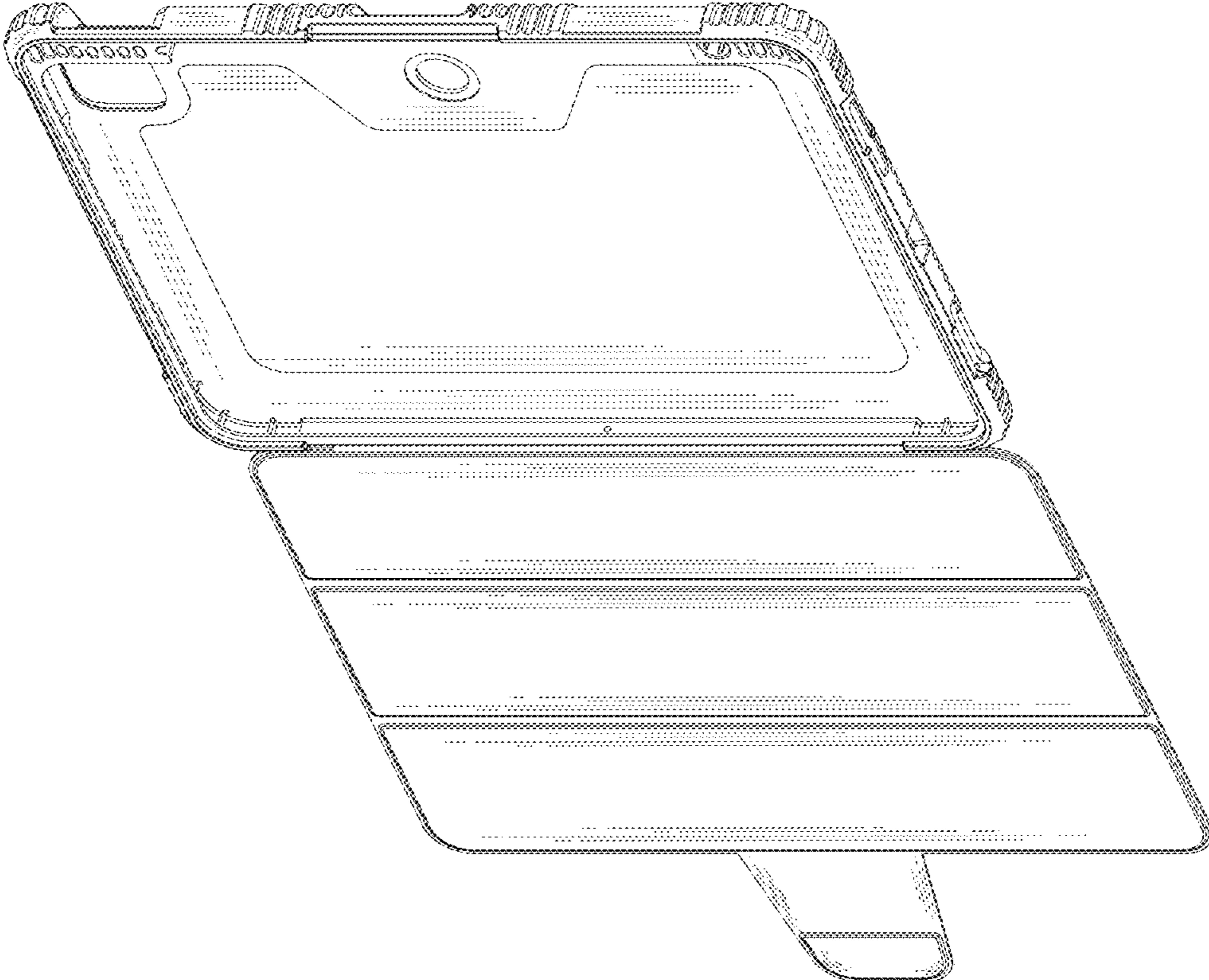


FIG.1

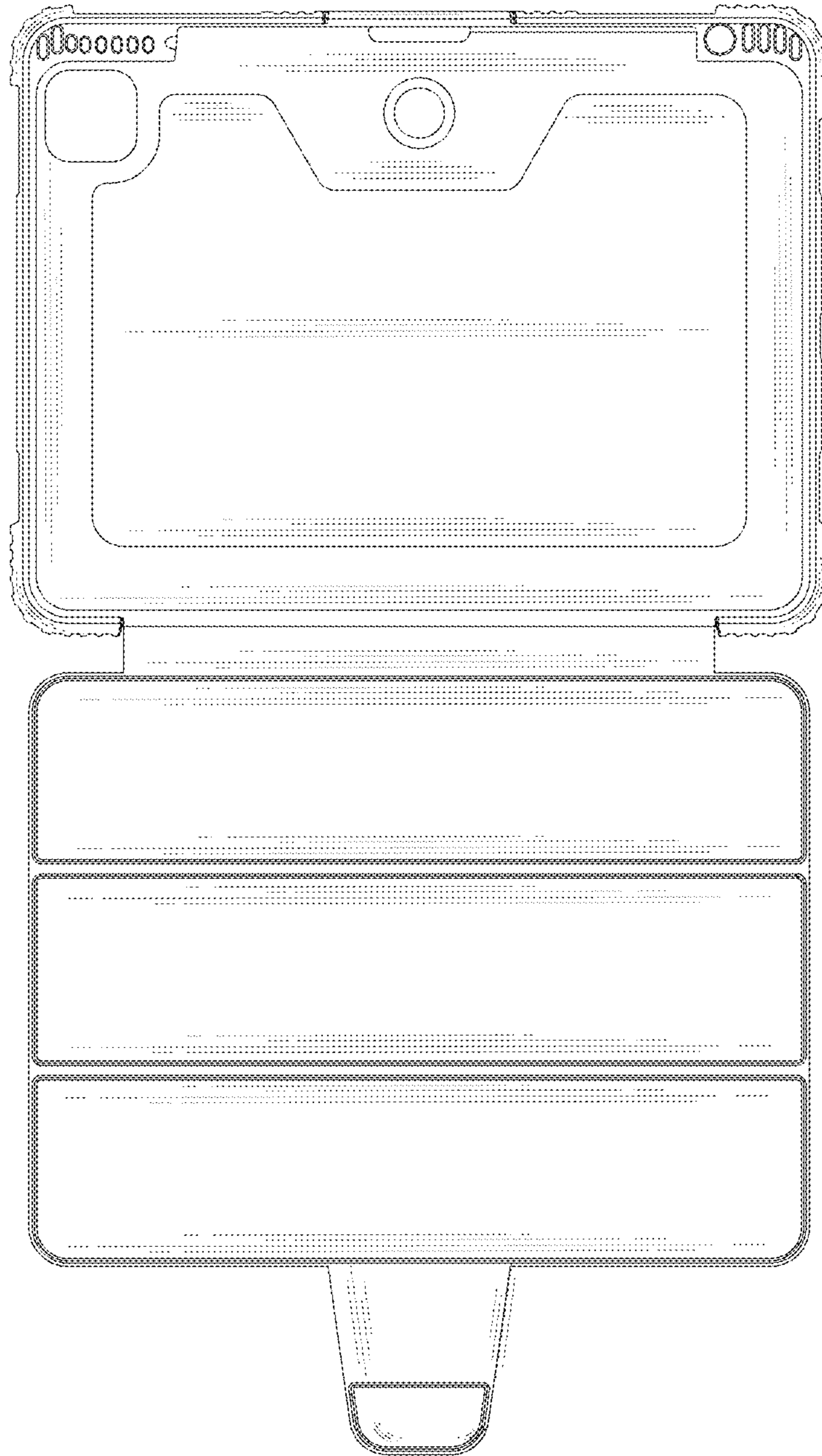


FIG.2

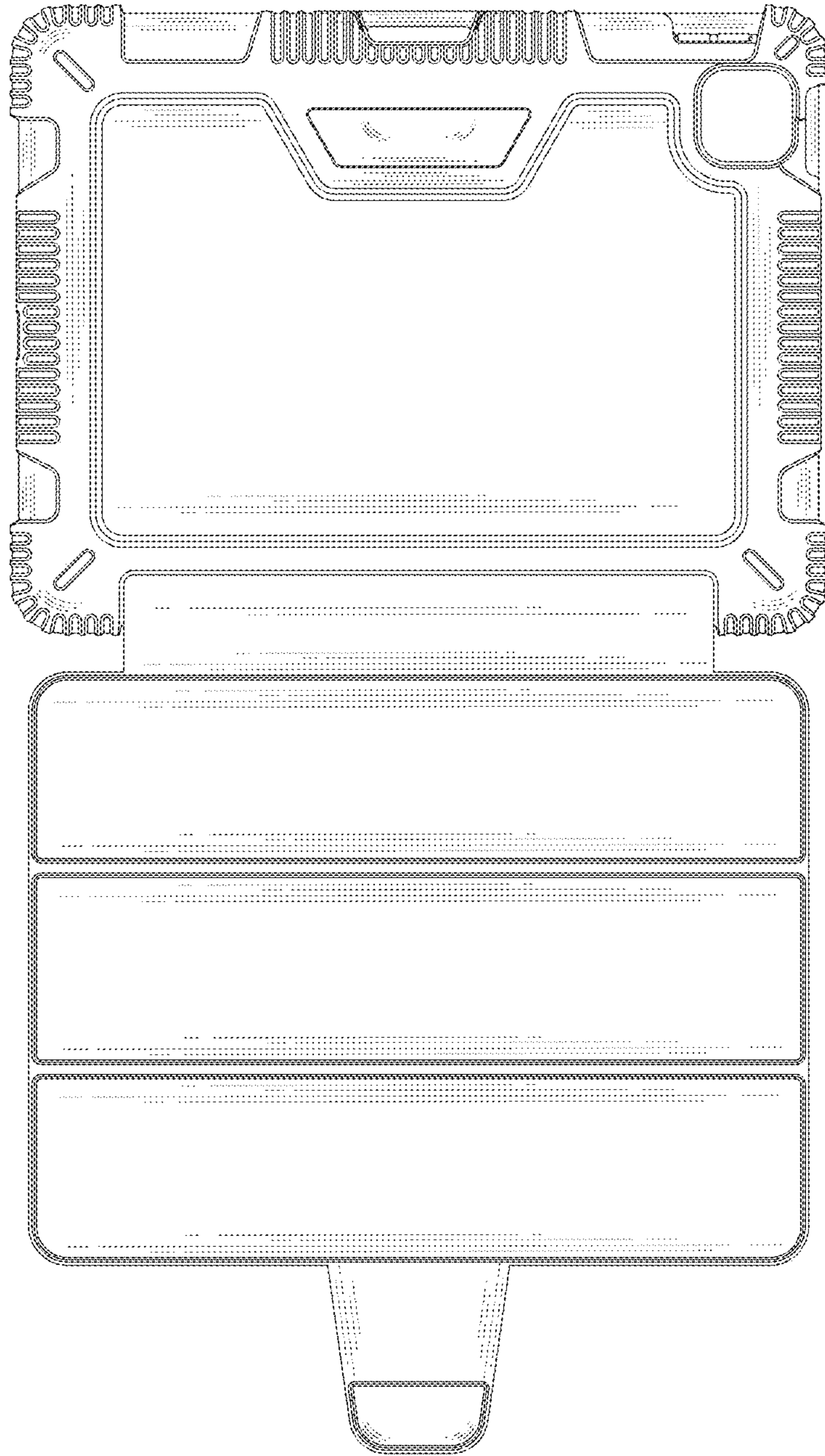


FIG.3



FIG.4

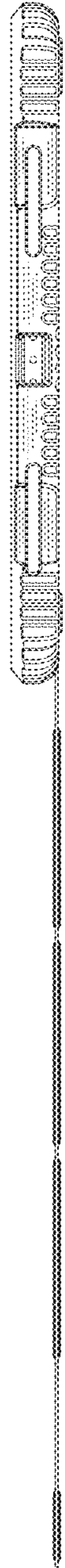


FIG.5

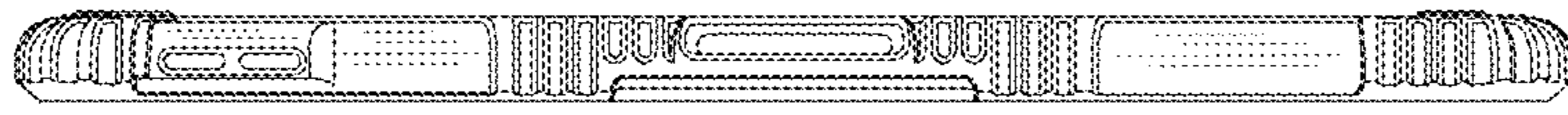


FIG.6

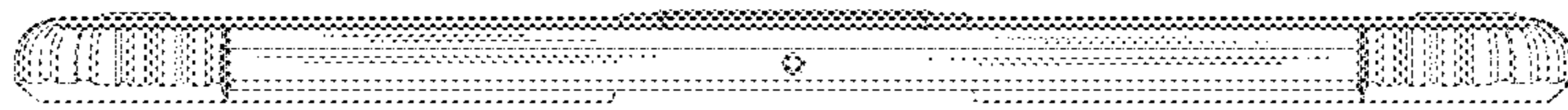


FIG. 7

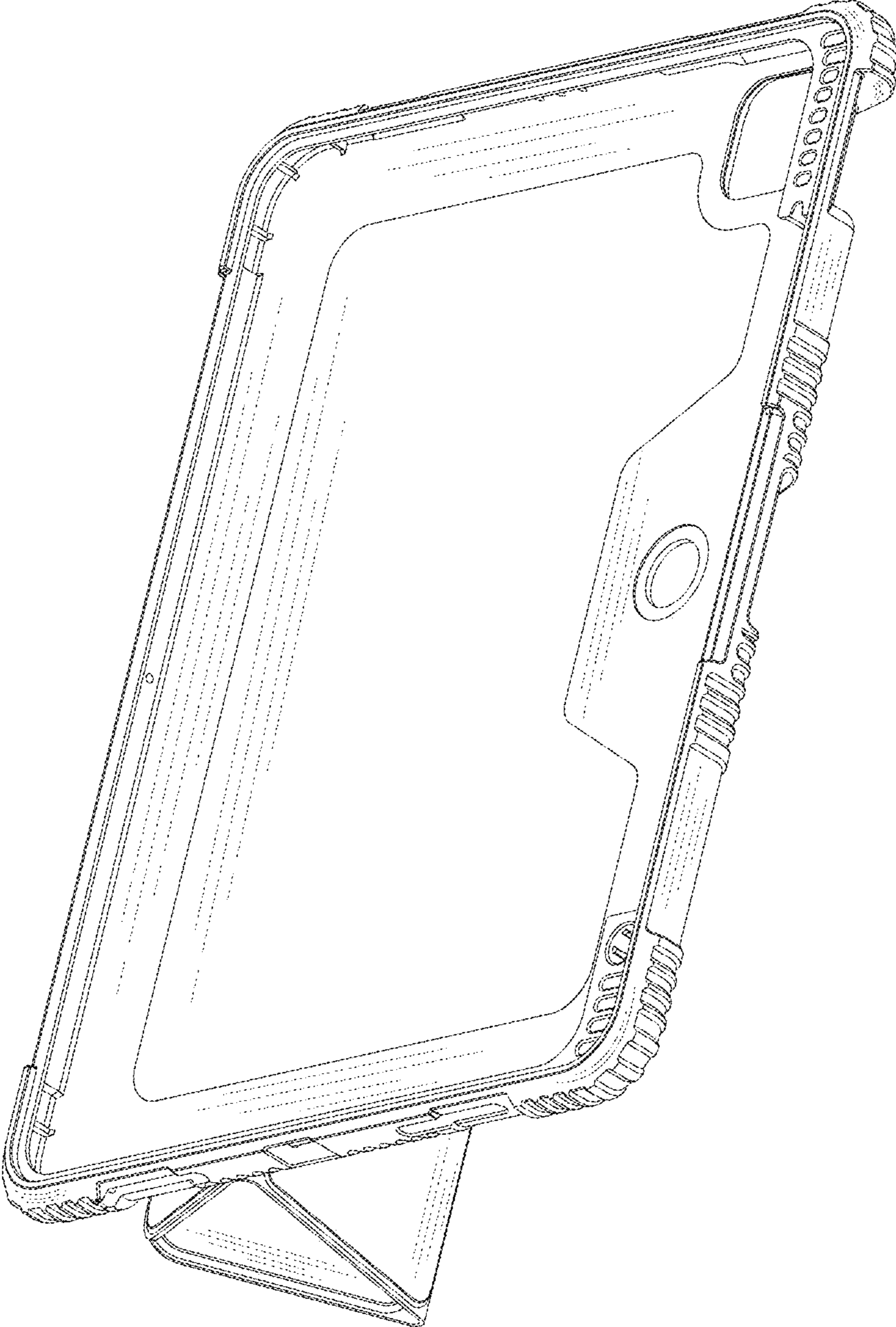


FIG. 8

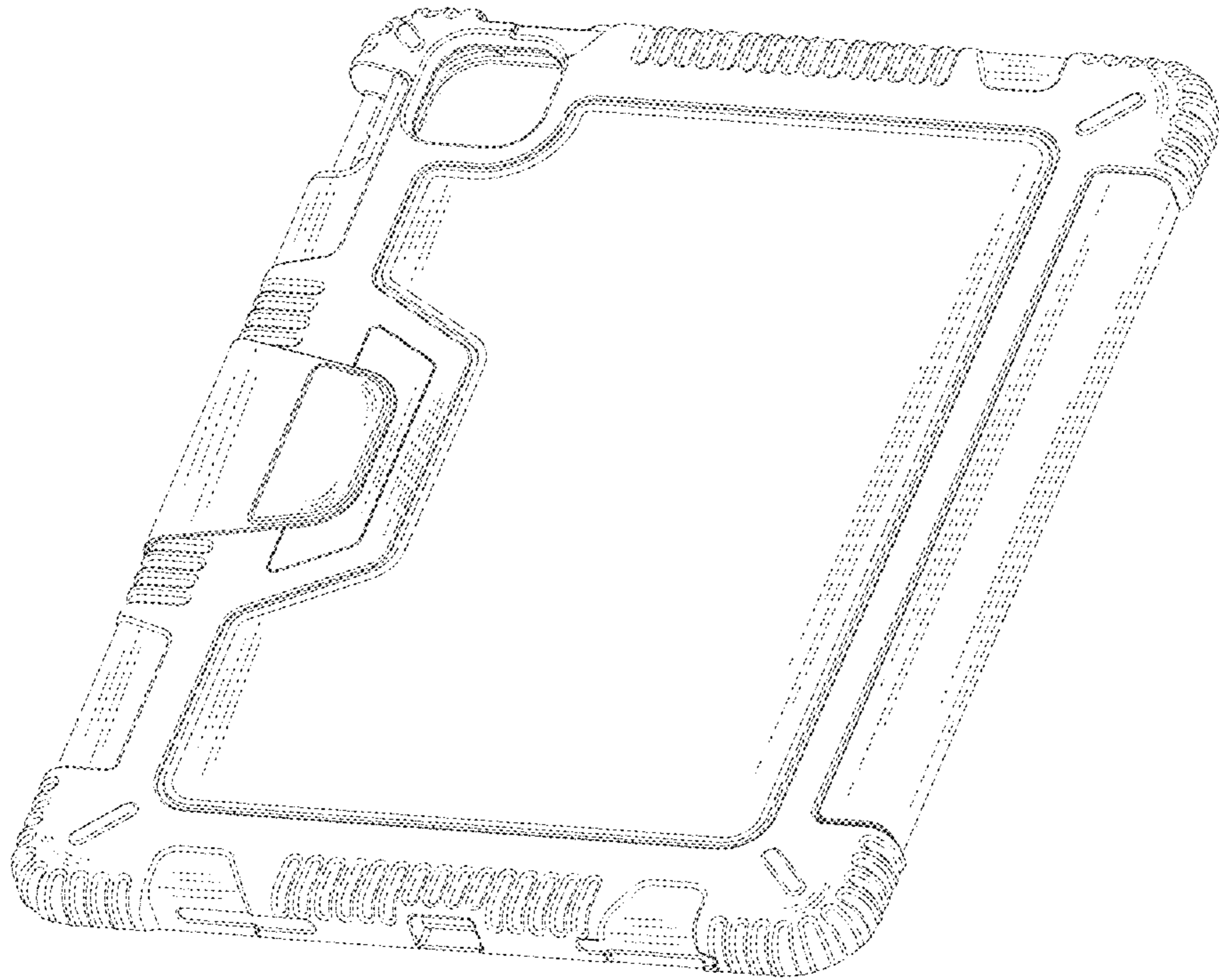


FIG. 9