

US00D976911S

(12) **United States Design Patent** (10) **Patent No.:** **US D976,911 S**
Luo (45) **Date of Patent:** **** Jan. 31, 2023**

(54) **USB C ADAPTER**
(71) Applicant: **Chaoyang Luo**, Songzi (CN)
(72) Inventor: **Chaoyang Luo**, Songzi (CN)
(73) Assignee: **Chaoyang Luo**, Songzi (CN)
(**) Term: **15 Years**
(21) Appl. No.: **29/836,999**

D847,139 S * 4/2019 Wang D14/433
D886,824 S * 6/2020 Zhan D14/433
D889,470 S 7/2020 Zhang et al.
D902,211 S * 11/2020 Jiang D14/433
D907,636 S * 1/2021 Chen D14/433
D909,385 S * 2/2021 Kong D14/433
D909,386 S * 2/2021 Turksu D14/433
D916,094 S * 4/2021 Liao D14/433
D933,071 S * 10/2021 Liu D14/433
D934,254 S * 10/2021 Jiang D14/433
D939,507 S * 12/2021 Li D14/433
D953,338 S * 5/2022 Zhang D14/433
D960,891 S * 8/2022 Liu D14/433

(22) Filed: **Apr. 29, 2022**
(51) **LOC (14) Cl.** **14-02**
(52) **U.S. Cl.**
USPC **D14/433**
(58) **Field of Classification Search**
USPC D14/240, 242, 356, 358, 363, 365, 367,
D14/370, 432-437, 439, 498, 125, 366,
D14/168, 496; D13/147, 164, 123, 133,
D13/146, 110, 199, 103, 162, 159, 160,
D13/184; 361/683, 684, 686, 724, 735,
361/737, 752; D18/40
CPC H01R 25/006; H01R 27/02; H01R 31/005;
G06F 13/4022; G06F 13/382; G06F
1/1632; G06F 1/1684; G06F 1/20; G06F
1/1607
See application file for complete search history.

* cited by examiner

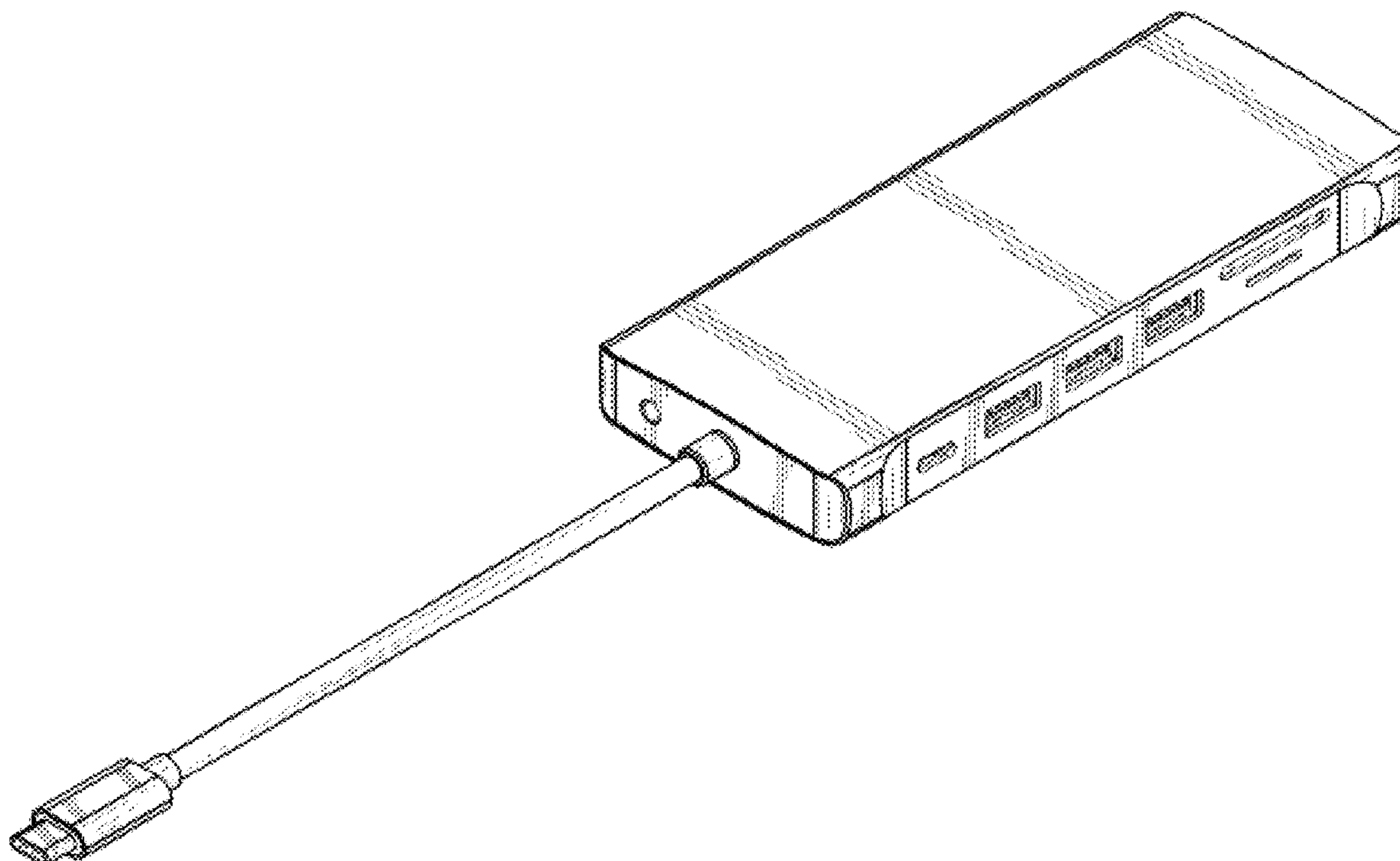
Primary Examiner — Austin Murphy
(74) *Attorney, Agent, or Firm* — Nitin Kaushik

(56) **References Cited**
U.S. PATENT DOCUMENTS
D798,301 S * 9/2017 Kujawski D14/433
D828,839 S * 9/2018 Zhang D14/433
D845,303 S * 4/2019 Laffon de Mazieres D14/433

(57) **CLAIM**
The ornamental design for a USB C adapter, as shown and described.

DESCRIPTION
FIG. 1 is a front perspective view of a USB C adapter, showing my new design;
FIG. 2 is a front view thereof;
FIG. 3 is a rear view thereof;
FIG. 4 is a left side view thereof;
FIG. 5 is a right side view thereof;
FIG. 6 is a top view thereof; and,
FIG. 7 is a bottom view thereof.
The broken lines in the drawings illustrate the portions of the USB C adapter, which form no part of the claimed design.

1 Claim, 7 Drawing Sheets



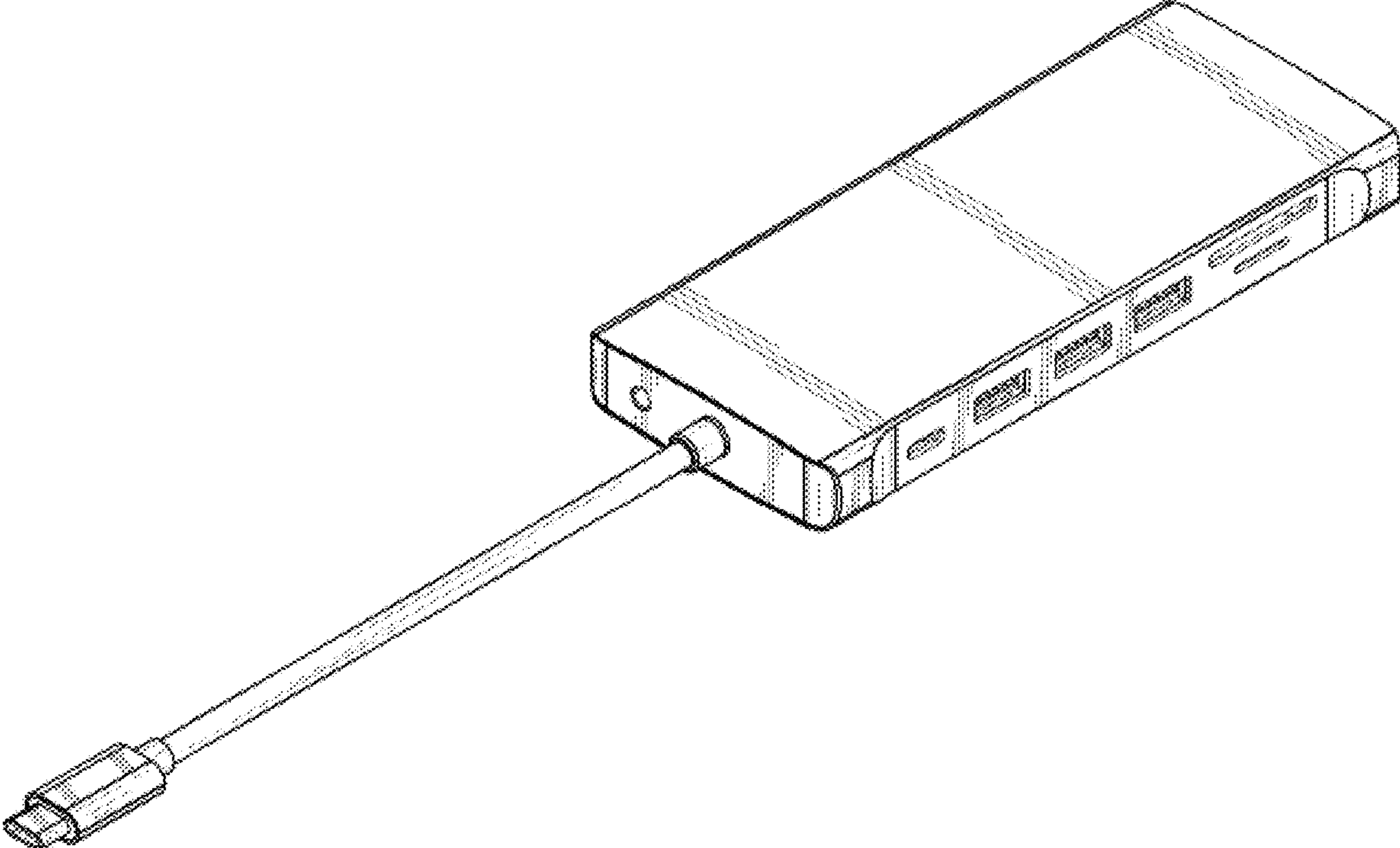


FIG. 1

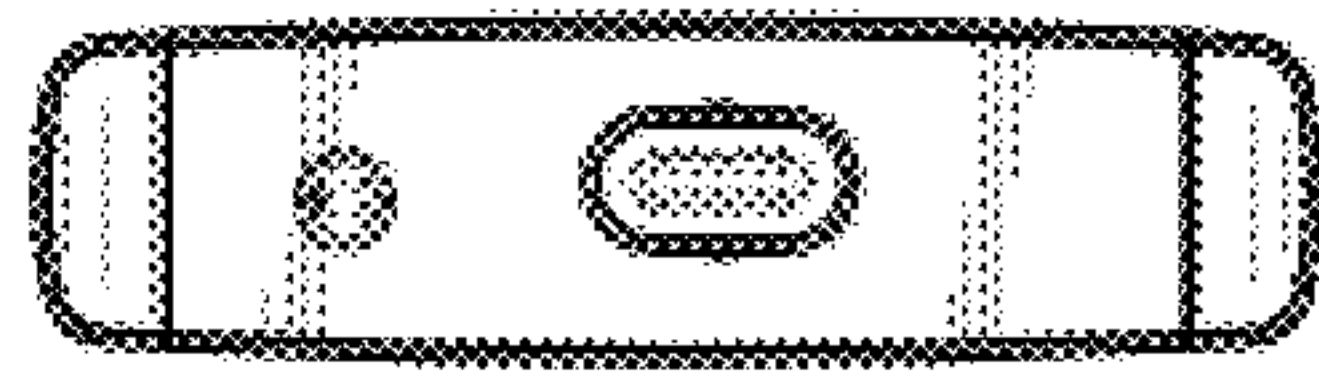


FIG. 2

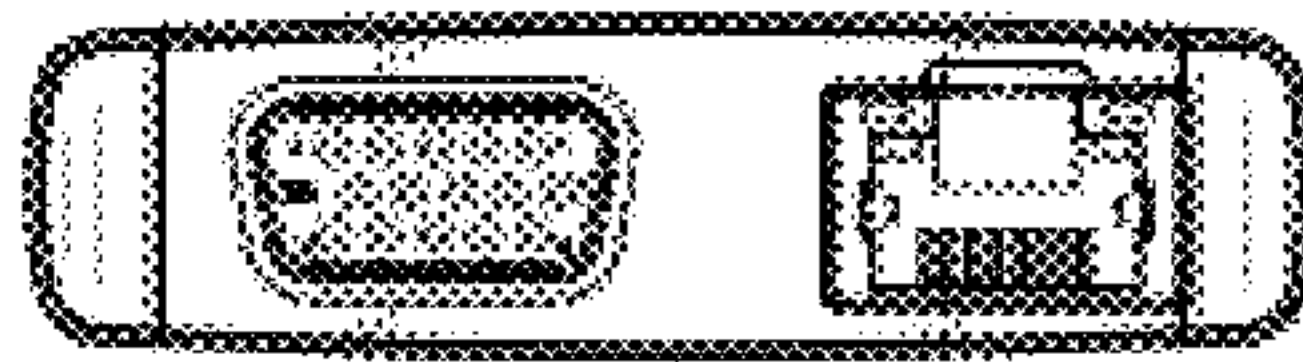


FIG. 3

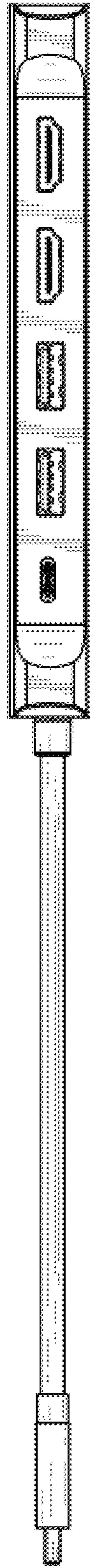


FIG. 4

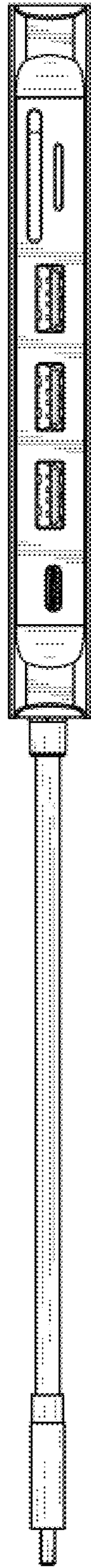


FIG. 5

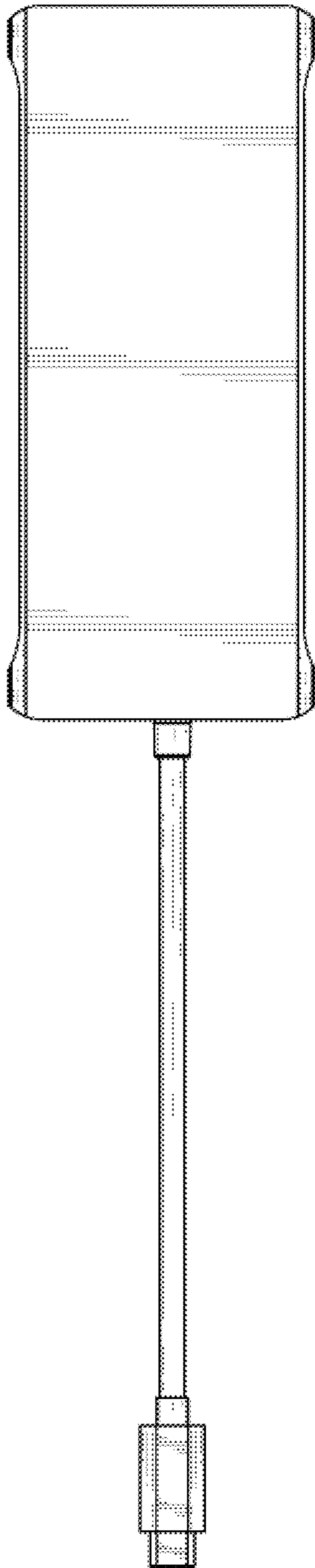


FIG. 6

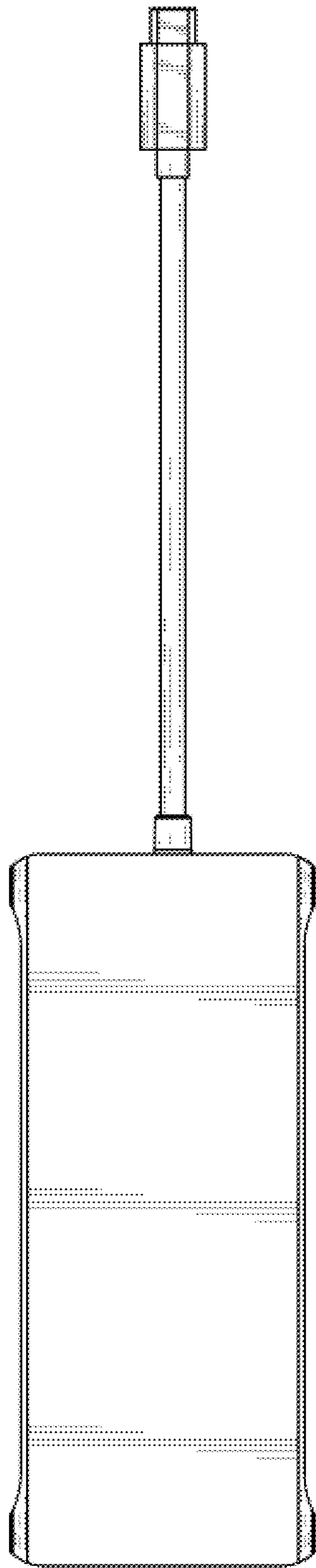


FIG. 7