



US00D976908S

(12) **United States Design Patent**
Cuban

(10) **Patent No.:** **US D976,908 S**
(45) **Date of Patent:** **** Jan. 31, 2023**

(54) **STYLUS FIVE-POINT NIB**

FOREIGN PATENT DOCUMENTS

(71) Applicant: **Mark Cuban**, Dallas, TX (US)

CN 203739466 U 7/2014
CN 107336436 A 11/2017

(72) Inventor: **Mark Cuban**, Dallas, TX (US)

(Continued)

(**) Term: **15 Years**

OTHER PUBLICATIONS

(21) Appl. No.: **29/791,598**

Koopin Stylus replacement tips, Koopin website 2022, site visited Oct. 20, 2022, <https://shopkoopin.com/product/stylus-pen-replacement-tips/>.*

(22) Filed: **Jan. 20, 2022**

(51) **LOC (14) Cl.** **14-02**

(52) **U.S. Cl.**
USPC **D14/411**

Primary Examiner — John R Yeh

(74) *Attorney, Agent, or Firm* — Klemchuk PLLC

(58) **Field of Classification Search**
USPC D14/411
CPC G06F 3/0383; G06F 3/03545; H01Q 1/362
See application file for complete search history.

(57) **CLAIM**

An ornamental design for a stylus five-point nib, as shown and described.

(56) **References Cited**

U.S. PATENT DOCUMENTS

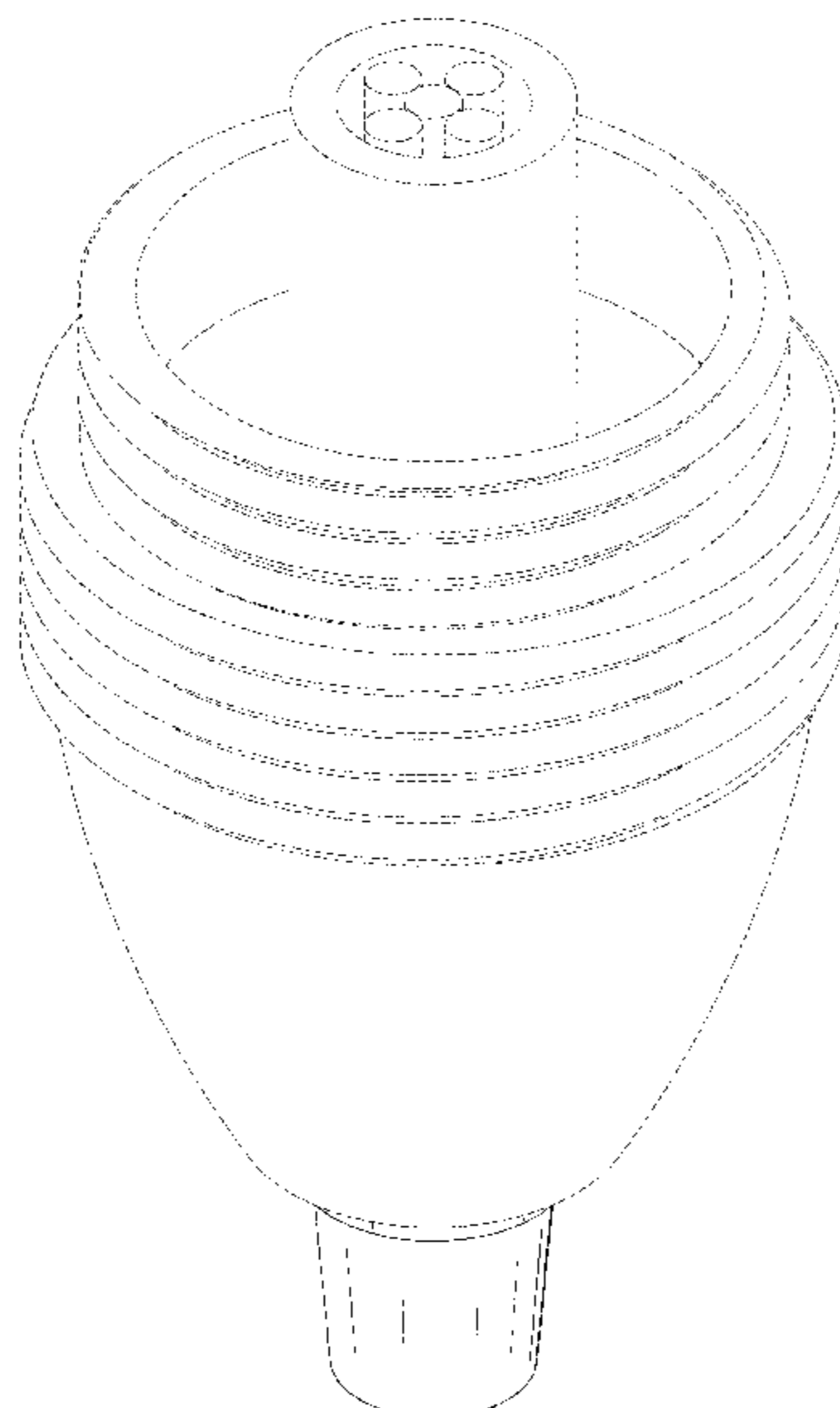
DESCRIPTION

1,438,114 A	12/1922	Hume	
3,438,046 A *	4/1969	Menhennett H01Q 1/362 343/895
4,113,266 A *	9/1978	Alexandrovich G11B 3/46
4,786,764 A *	11/1988	Padula G06F 3/03545 178/19.04
5,411,344 A	5/1995	Gagne	
5,470,162 A	11/1995	Rubin	
5,696,538 A	12/1997	Kishi	
5,747,748 A *	5/1998	Zigler B43K 29/00 345/173
D416,043 S *	11/1999	Arthur D19/200
6,343,885 B1	2/2002	Heyne	
D477,022 S	7/2003	Rosenbaum	
D487,111 S	2/2004	Rosenbaum	
D487,746 S *	3/2004	Fitch D14/431
D509,851 S	9/2005	Huang	
D530,744 S	10/2006	Harrison et al.	
D595,771 S	7/2009	Oas	
D608,826 S	1/2010	Laguatan et al.	
D620,491 S *	7/2010	Wu D16/244

FIG. 1 illustrates a front perspective view of a stylus five-point nib.
FIG. 2 illustrates a front view of the stylus five-point nib.
FIG. 3 illustrates a back view of the stylus five-point nib.
FIG. 4 illustrates a side view of the stylus five-point nib.
FIG. 5 illustrates an opposite side view of the stylus five-point nib.
FIG. 6 illustrates a top view of the stylus five-point nib; and,
FIG. 7 illustrates a bottom view of the stylus five-point nib.
It should be understood that the labels used herein for describing orientation (e.g., front, rear, side, top, and bottom) are merely for reference, and the design may be disposed in any manner and still be within the scope of the disclosure. The portions of the article in broken lines are shown for illustrative purposes only and form no part of the claimed design.

(Continued)

1 Claim, 7 Drawing Sheets



(56)

References Cited

U.S. PATENT DOCUMENTS

7,928,967 B2 * 4/2011 Underwood B43K 7/005
 345/179
 D687,888 S 8/2013 Andre
 D727,903 S * 4/2015 Madsen G06F 3/03545
 D14/411
 D748,095 S 1/2016 Oikawa
 D772,876 S * 11/2016 Akana D14/411
 D788,109 S * 5/2017 Kuan-her D14/411
 D809,061 S 1/2018 Wong et al.
 D897,341 S * 9/2020 Kamiyama D14/411
 D933,661 S * 10/2021 Hashimoto D14/411
 D940,714 S * 1/2022 Zou D14/411
 2002/0092192 A1 * 7/2002 Schopf G01B 5/012
 33/556
 2006/0244805 A1 11/2006 Yeh
 2008/0048918 A1 * 2/2008 Hsu H01Q 1/362
 343/702
 2013/0141400 A1 * 6/2013 Chen G06F 3/033
 345/179
 2015/0091879 A1 * 4/2015 Madsen G06F 3/0393
 345/179
 2016/0202776 A1 * 7/2016 Maloo G06F 3/0416
 345/174
 2019/0113991 A1 * 4/2019 Wu G06F 3/03545

FOREIGN PATENT DOCUMENTS

CN 110143082 A 8/2019
 EM 007461082-0007 * 1/2020

* cited by examiner

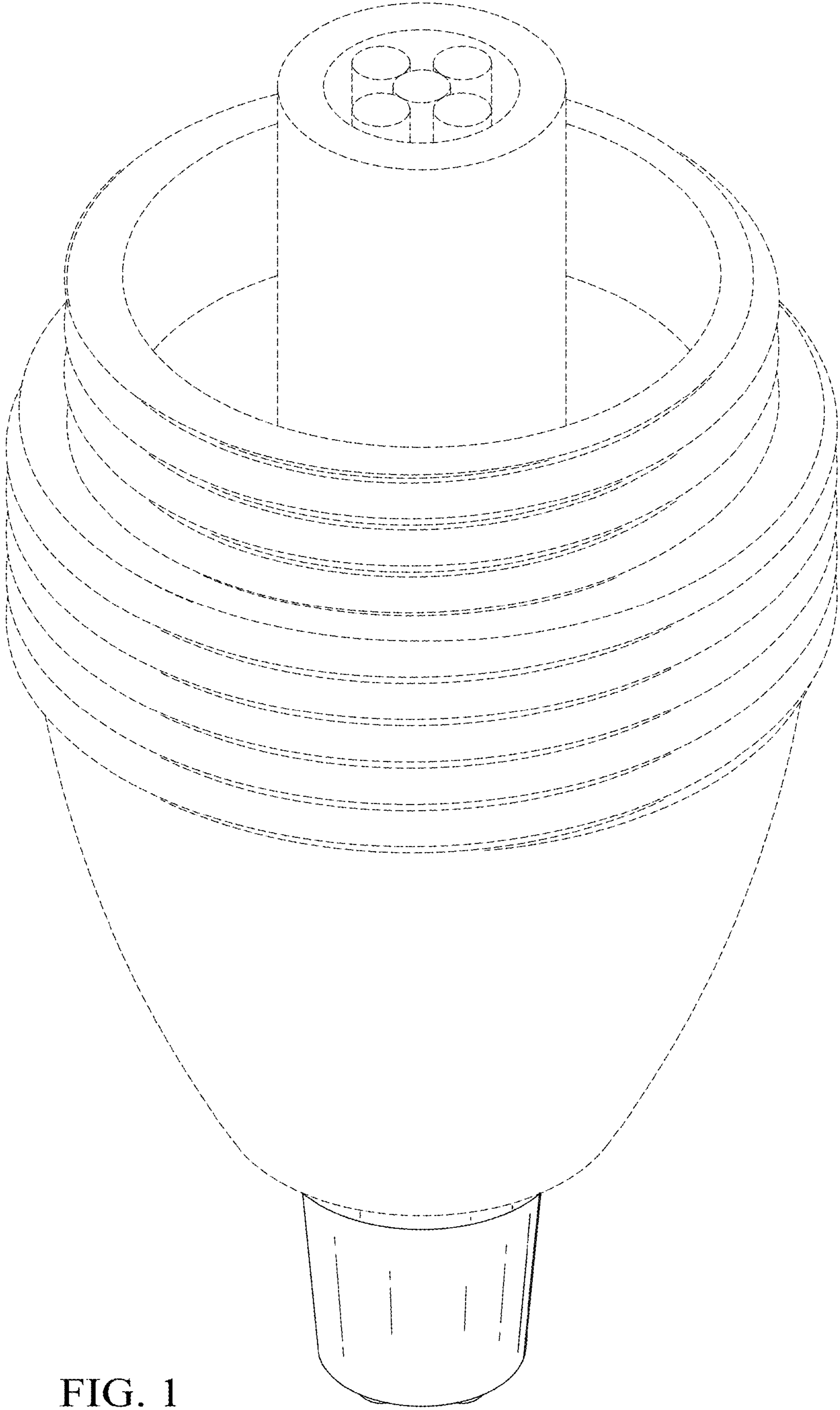


FIG. 1

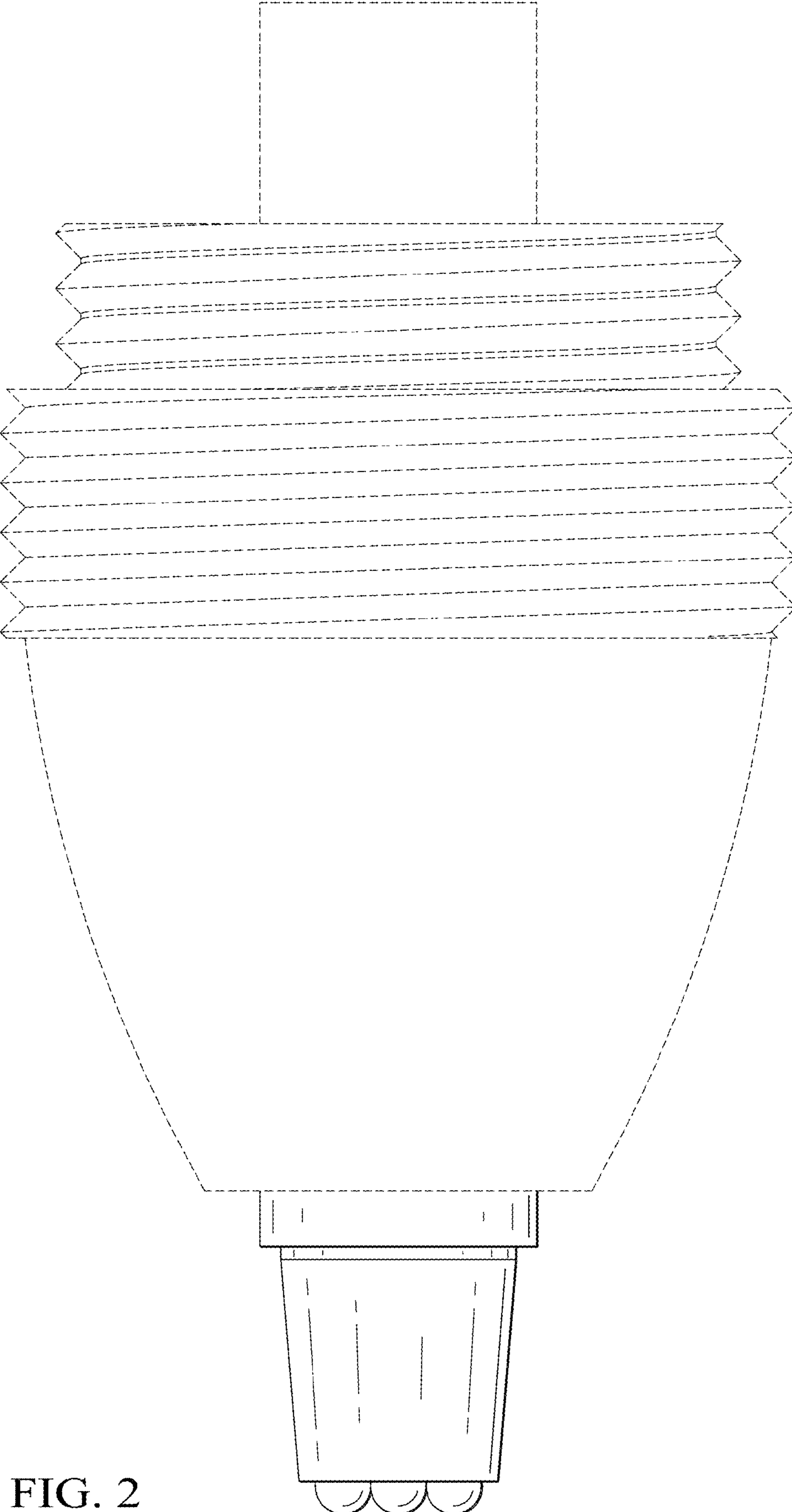


FIG. 2

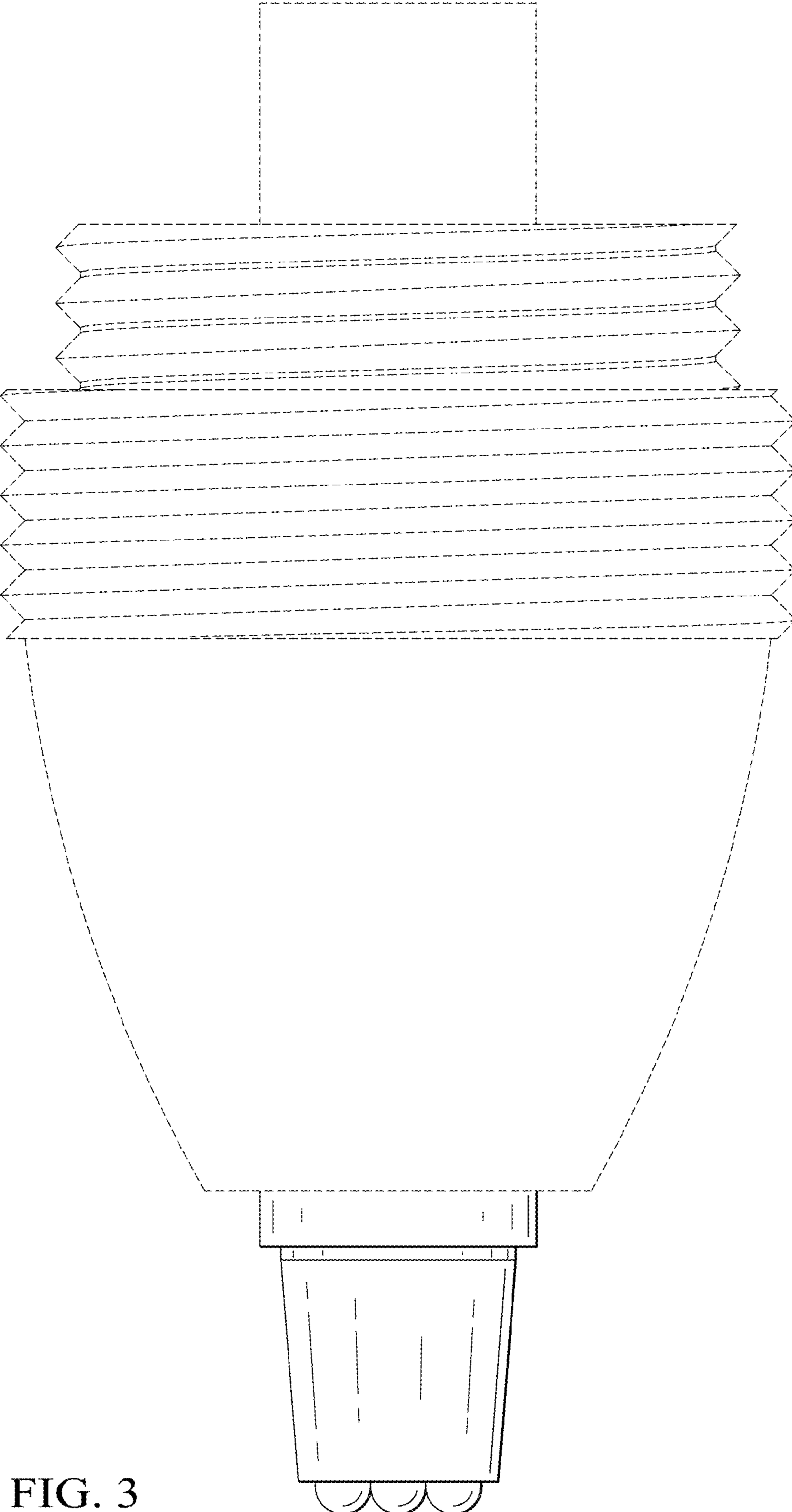


FIG. 3

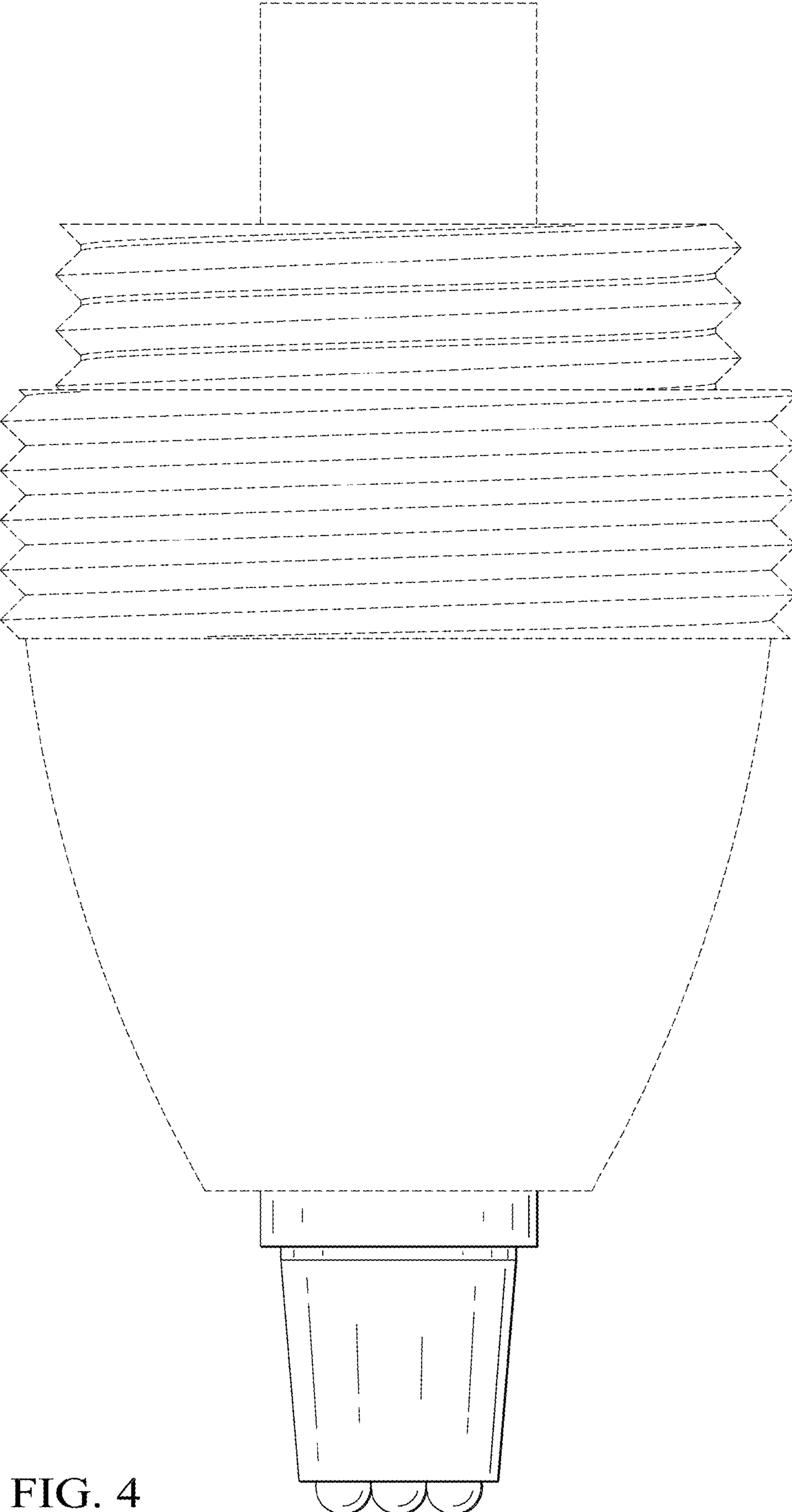


FIG. 4

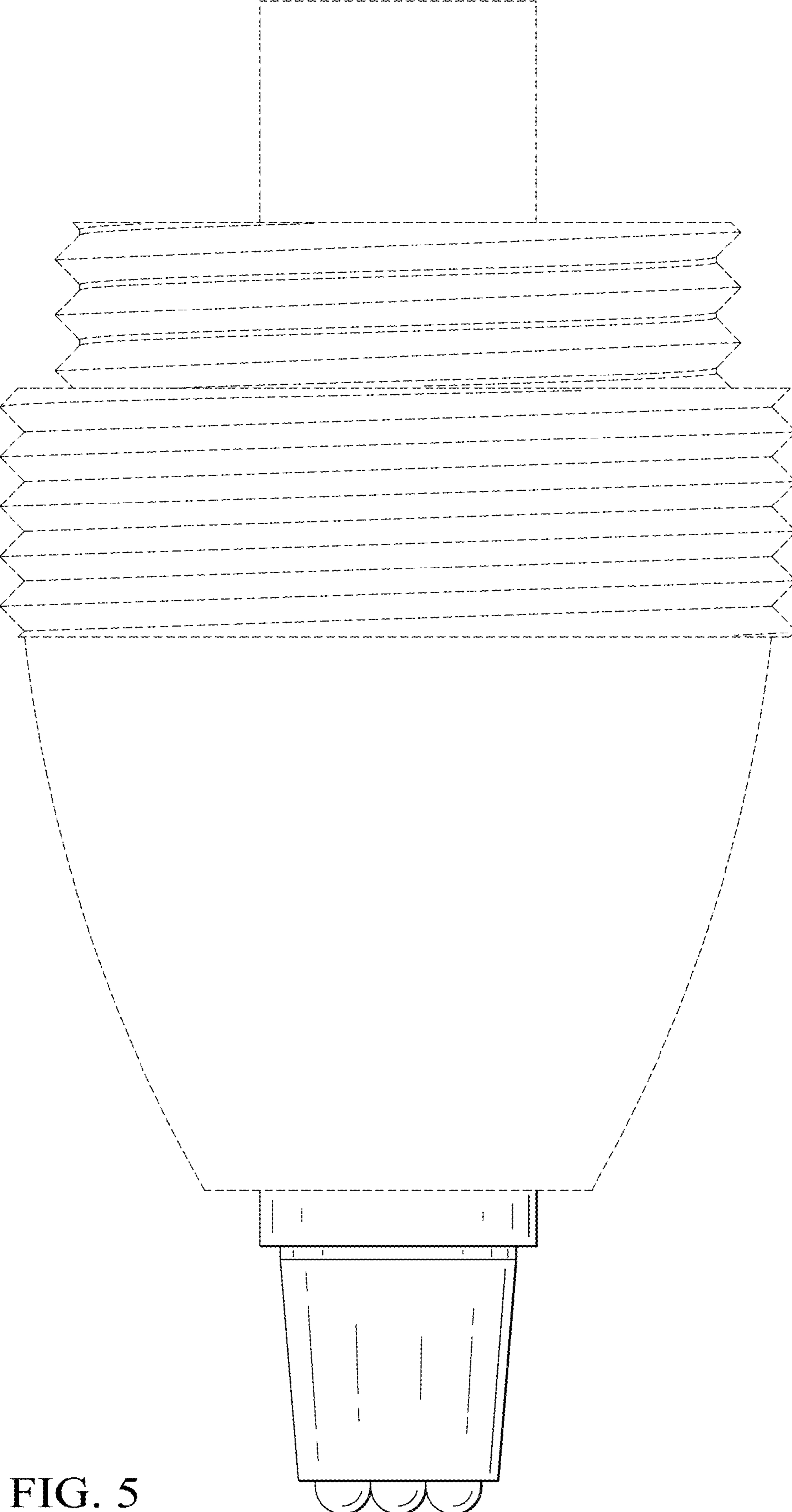


FIG. 5

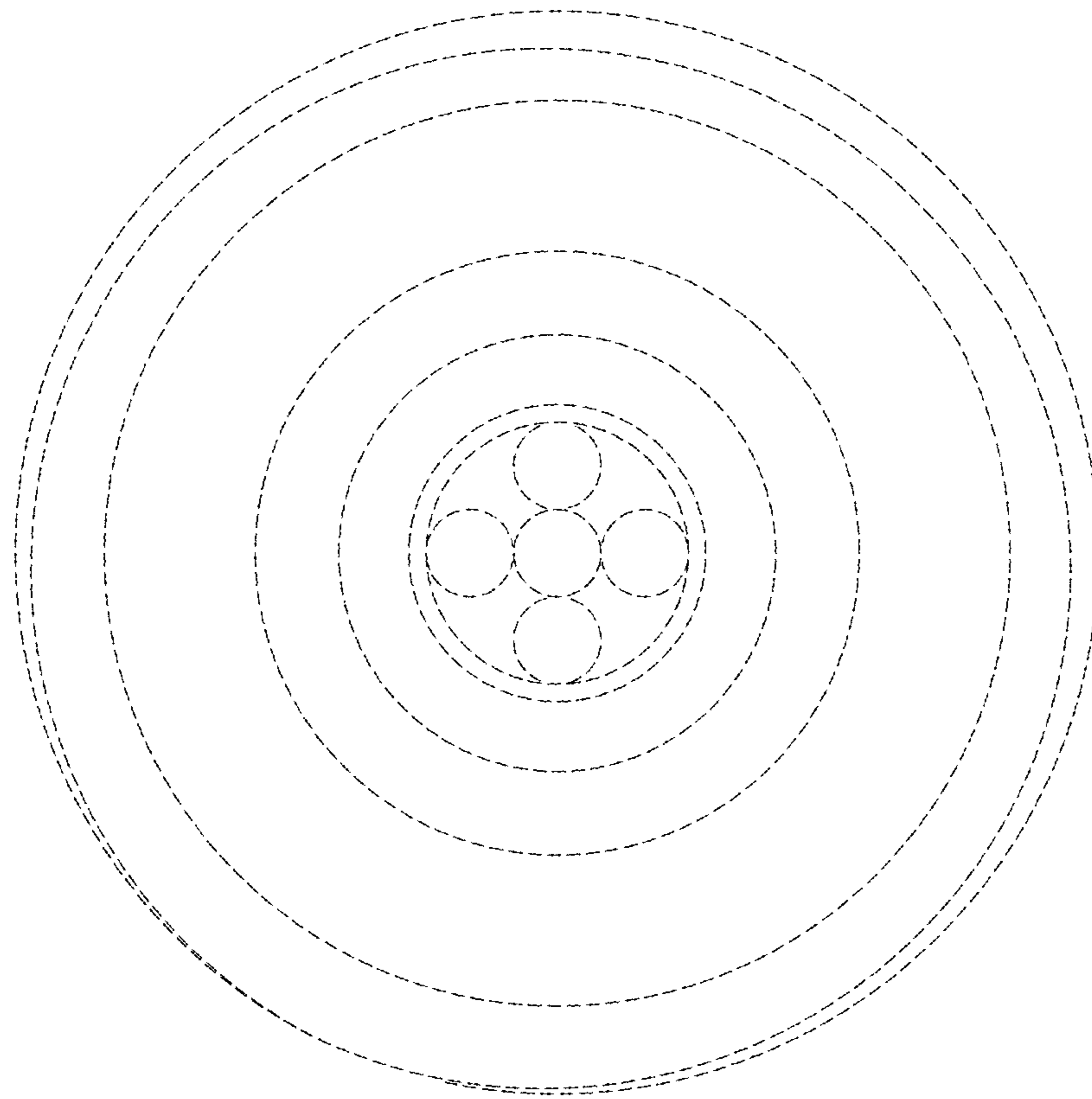


FIG. 6

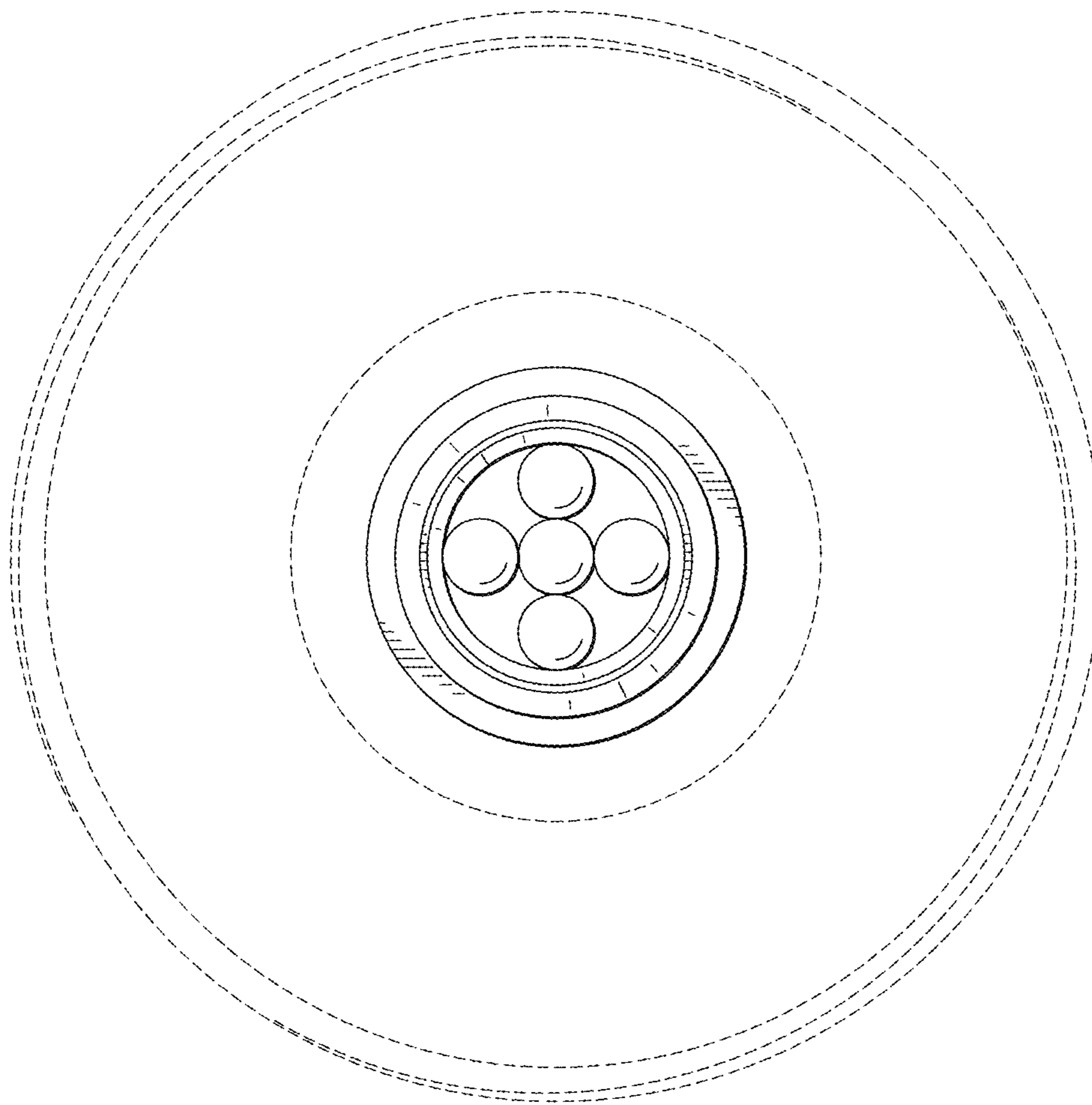


FIG. 7