



US00D976907S

(12) **United States Design Patent**
Song

(10) **Patent No.:** **US D976,907 S**

(45) **Date of Patent:** **** Jan. 31, 2023**

- (54) **HANDHELD GAME CONSOLE**
- (71) Applicant: **SHENZHEN KONKR TECHNOLOGY CO., LTD.**, Shenzhen (CN)
- (72) Inventor: **Zheng Song**, Shenzhen (CN)
- (73) Assignee: **SHENZHEN KONKR TECHNOLOGY CO., LTD.**, Shenzhen (CN)
- (**) Term: **15 Years**
- (21) Appl. No.: **29/762,368**
- (22) Filed: **Dec. 16, 2020**
- (30) **Foreign Application Priority Data**
Nov. 20, 2020 (CN) 202030705697.9
- (51) **LOC (14) Cl.** **14-02**
- (52) **U.S. Cl.**
USPC **D14/401**
- (58) **Field of Classification Search**
USPC D10/50, 60, 104.1; D13/168; D14/356, D14/371, 400, 401; D21/324, 328, 329, D21/330, 331, 332, 333
CPC A63F 13/335; A63F 13/23; A63F 13/24; A63F 13/25; A63F 13/235; A63F 13/06; A63F 13/218
See application file for complete search history.

- 8,194,154 B2 * 6/2012 Yoon G09B 21/008 348/333.01
- D681,127 S * 4/2013 Ashida D21/333
- D681,128 S * 4/2013 Ashida D14/401
- D689,138 S * 9/2013 Ashida D21/332
- D692,882 S * 11/2013 Lakraa D14/401
- D819,696 S * 6/2018 Ehara D14/203.7

(Continued)

OTHER PUBLICATIONS

[Ayaneo: World's First 7nm Handheld Gaming Device], available in www.indiegogo.com, announced Year 2021 [online], [site visited Nov. 16, 2020], Internet URL: <https://www.indiegogo.com/projects/ayaneo-world-s-first-7nm-handheld-gaming-device/> (Year: 2021).*

(Continued)

Primary Examiner — Khawaja Anwar
Assistant Examiner — Megan Tiana Rakos
(74) *Attorney, Agent, or Firm* — McClure, Qualey & Rodack, LLP

(57) **CLAIM**

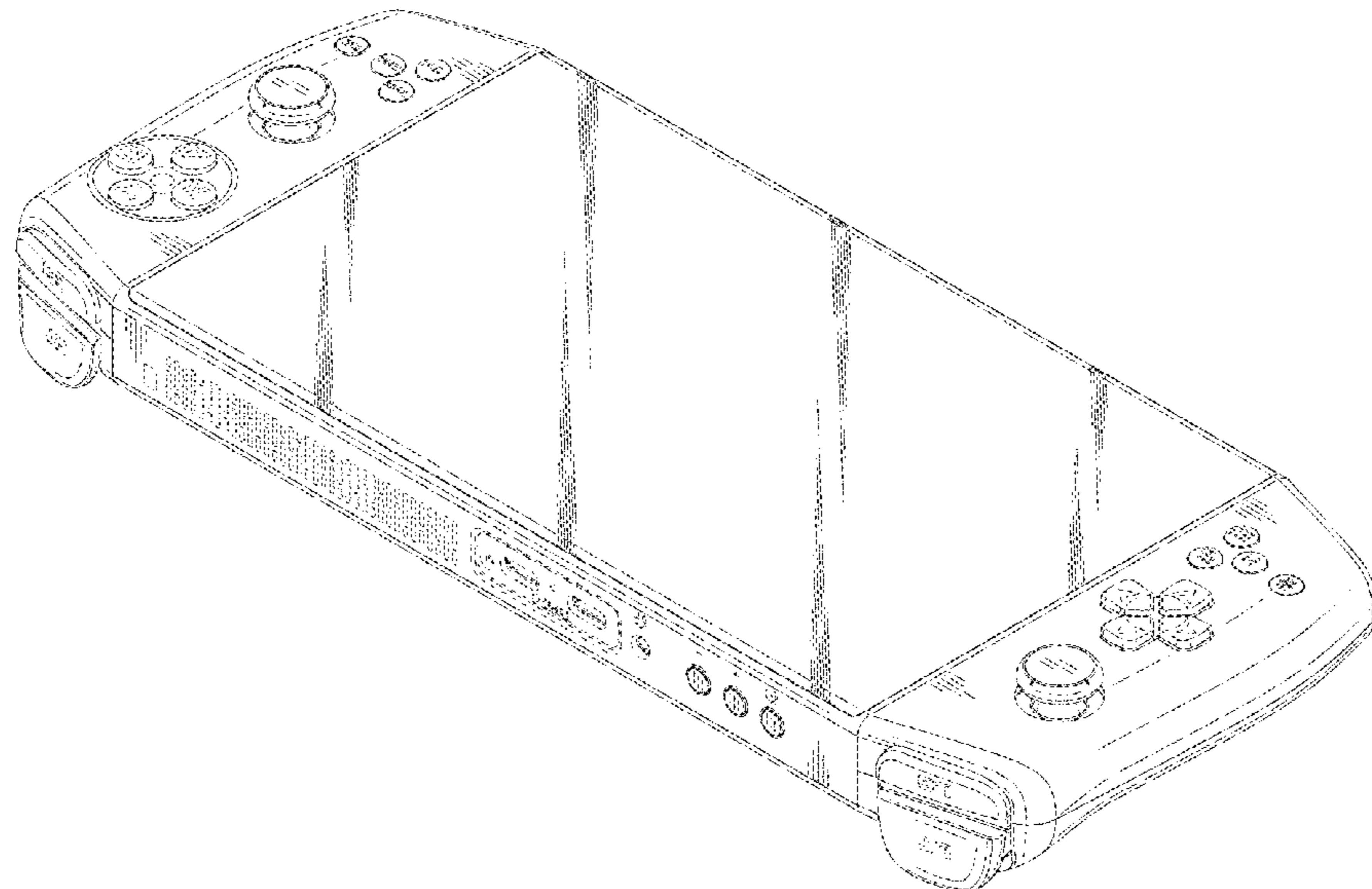
The ornamental design for a handheld game console, as shown and described.

DESCRIPTION

FIG. 1 is a perspective view of a handheld game console; FIG. 2 is a front elevational view thereof; FIG. 3 is a rear elevational view thereof; FIG. 4 is a left side elevational view thereof; FIG. 5 is a right side elevational view thereof; FIG. 6 is a top plan view thereof; FIG. 7 is a bottom plan view thereof; FIG. 8 is another perspective view thereof; and, FIG. 9 is another perspective view showing the handheld game console. The broken lines show in the figures illustrates environmental or other features that form no part of the claimed design.

1 Claim, 9 Drawing Sheets

- (56) **References Cited**
U.S. PATENT DOCUMENTS
D428,448 S * 7/2000 Kitamori D21/329
D529,493 S * 10/2006 Ogasawara D21/329
D620,055 S * 7/2010 Yano D21/329
D622,245 S * 8/2010 Okada D14/138 G
8,105,169 B2 * 1/2012 Ogasawara A63F 13/92 463/46



(56)

References Cited

U.S. PATENT DOCUMENTS

11,045,723 B1 * 6/2021 Lee A63F 13/24
D928,113 S * 8/2021 Guack D21/333
D929,395 S * 8/2021 Ehara D14/341
2004/0033835 A1 * 2/2004 Chao A63F 13/98
463/46
2005/0247550 A1 * 11/2005 Hamada A63F 13/92
200/293
2012/0058821 A1 * 3/2012 Lan A63F 13/92
463/30
2018/0193734 A1 * 7/2018 Gohara A63F 13/235
2018/0345132 A1 * 12/2018 Kurihara A63F 13/25
2020/0269129 A1 * 8/2020 Kira A63F 13/24

OTHER PUBLICATIONS

[Finally an AMD Handheld Gaming PC!!—Aya Neo Review],
announced in YouTube on Mar. 18, 2021 [online], [site visited May
10, 2022], Available from the internet URL: <https://www.youtube.com/watch?v=w1NKqyWou5w> (Year: 2021).*

* cited by examiner

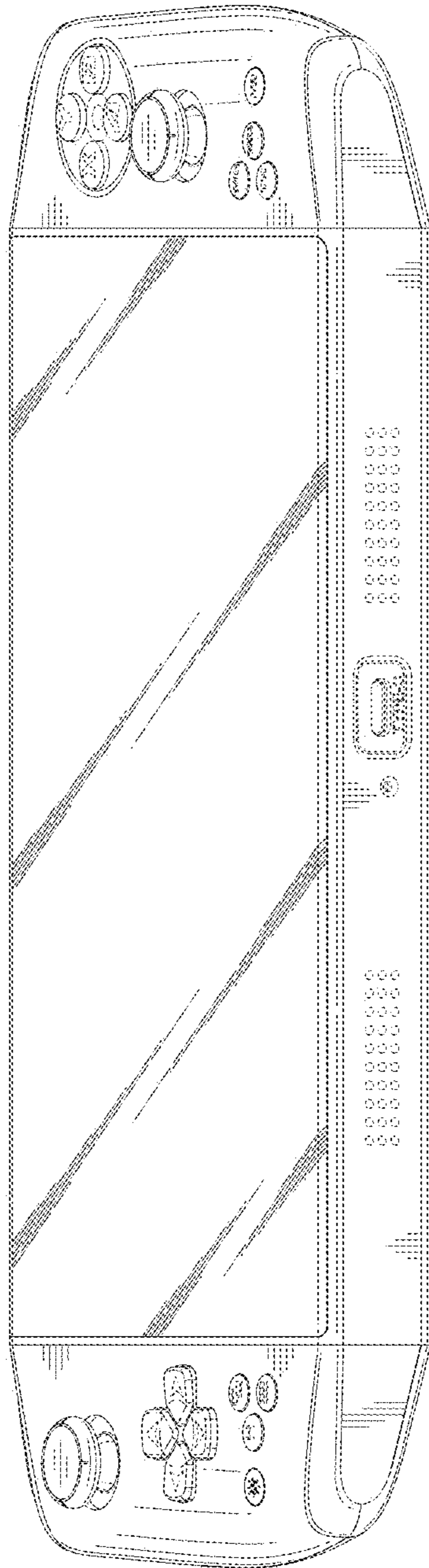


FIG. 1

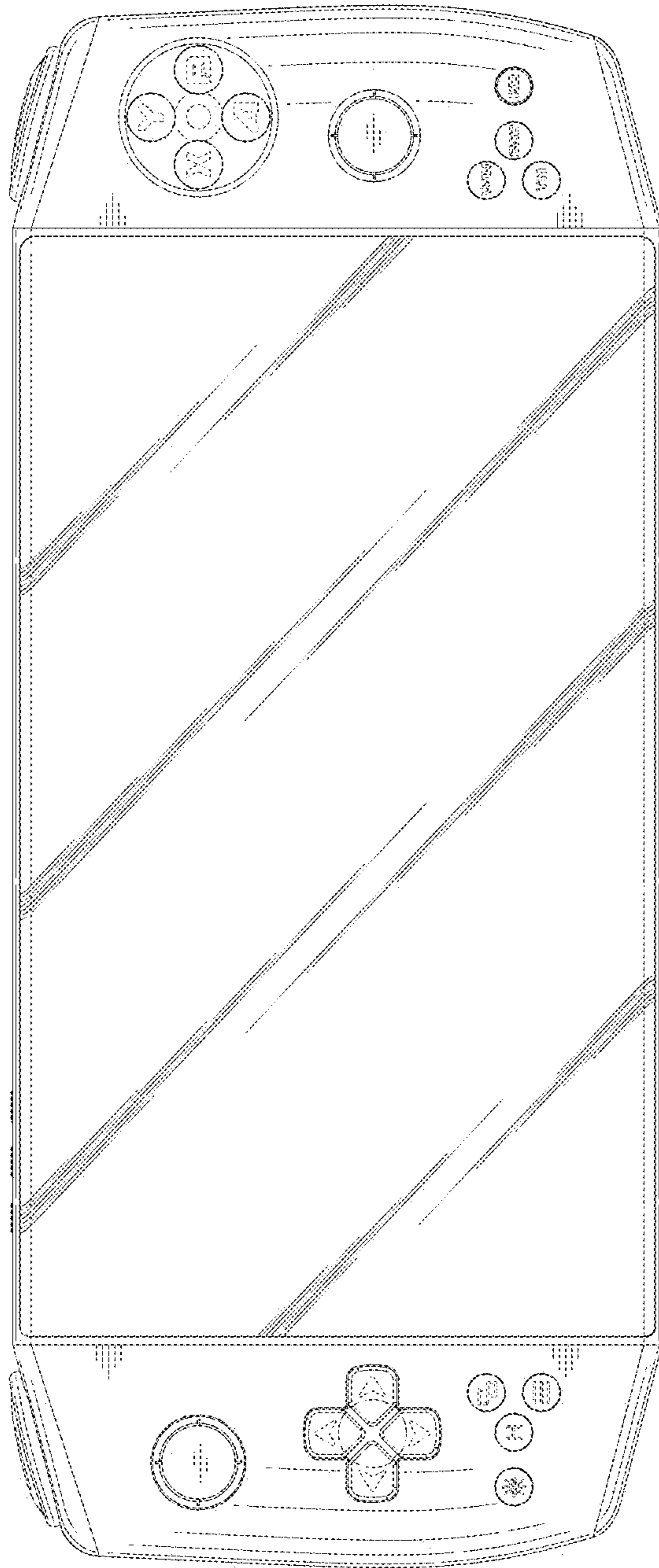


FIG. 2

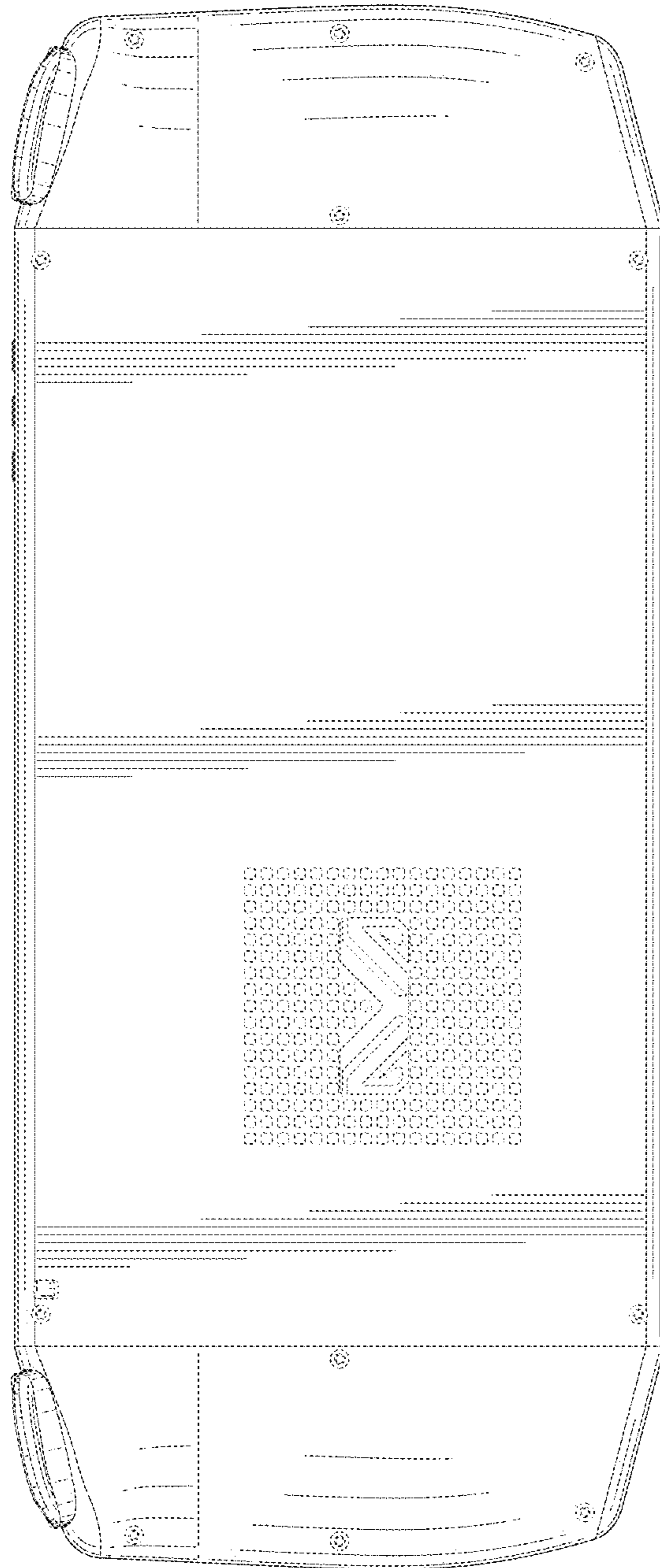


FIG. 3

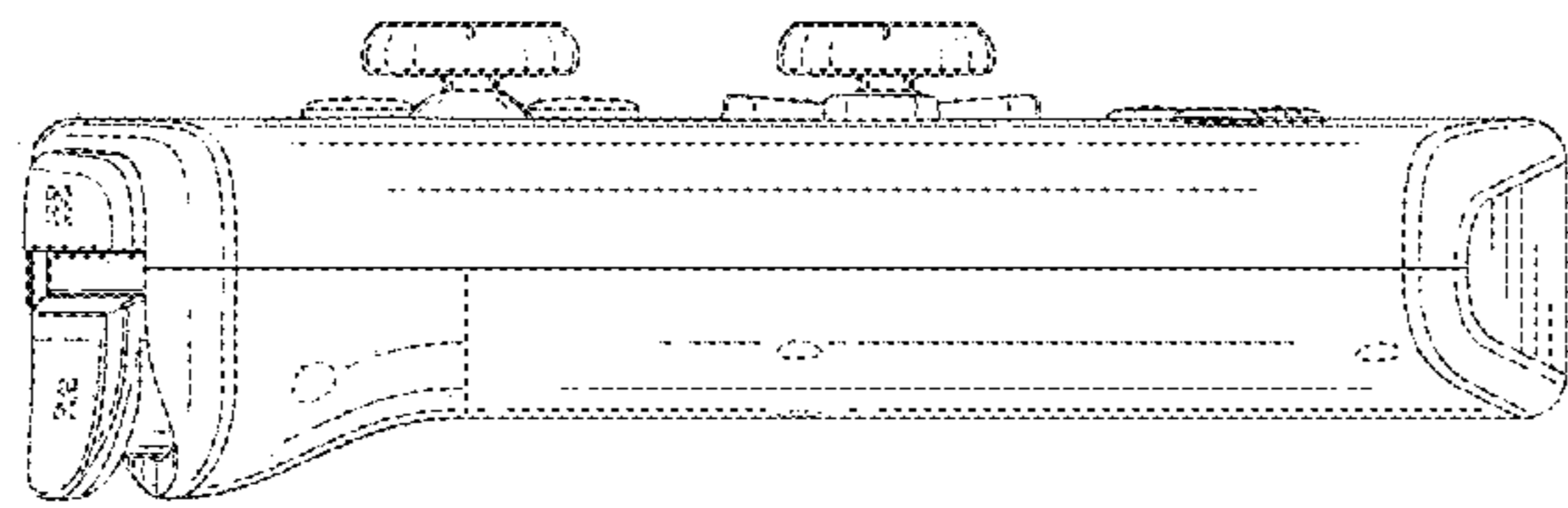


FIG. 4

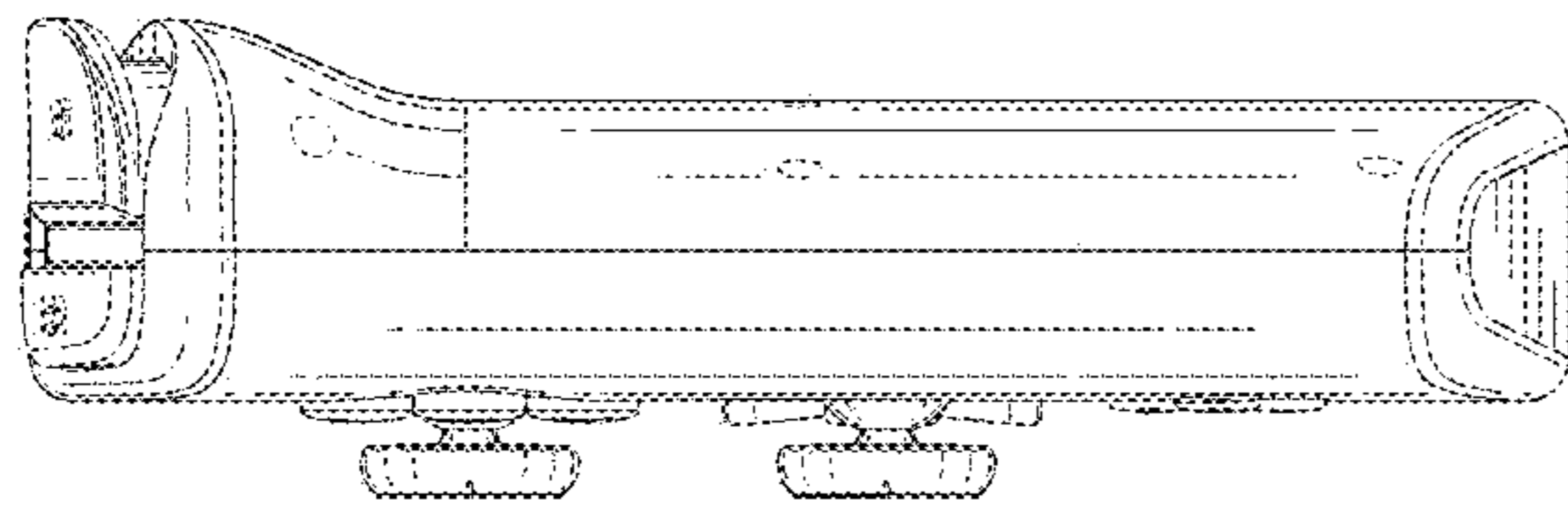


FIG. 5

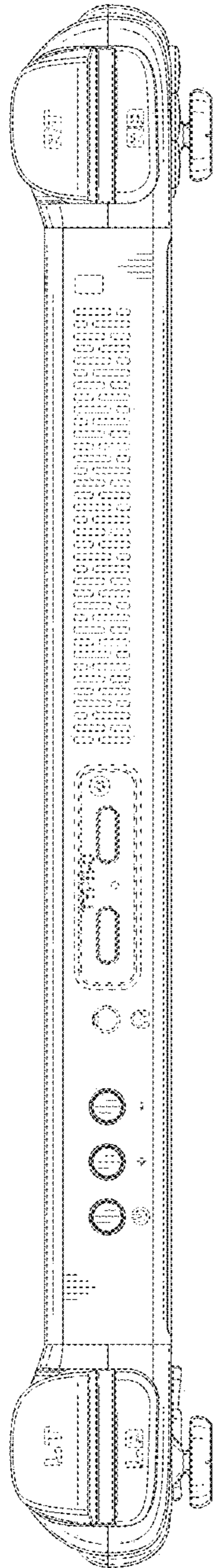


FIG. 6

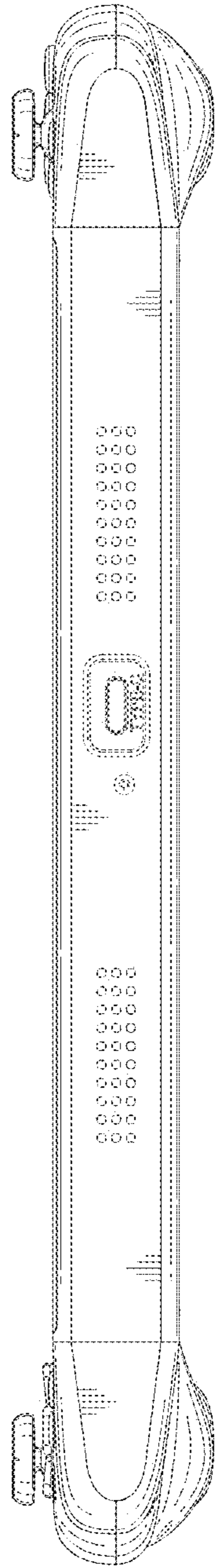


FIG. 7

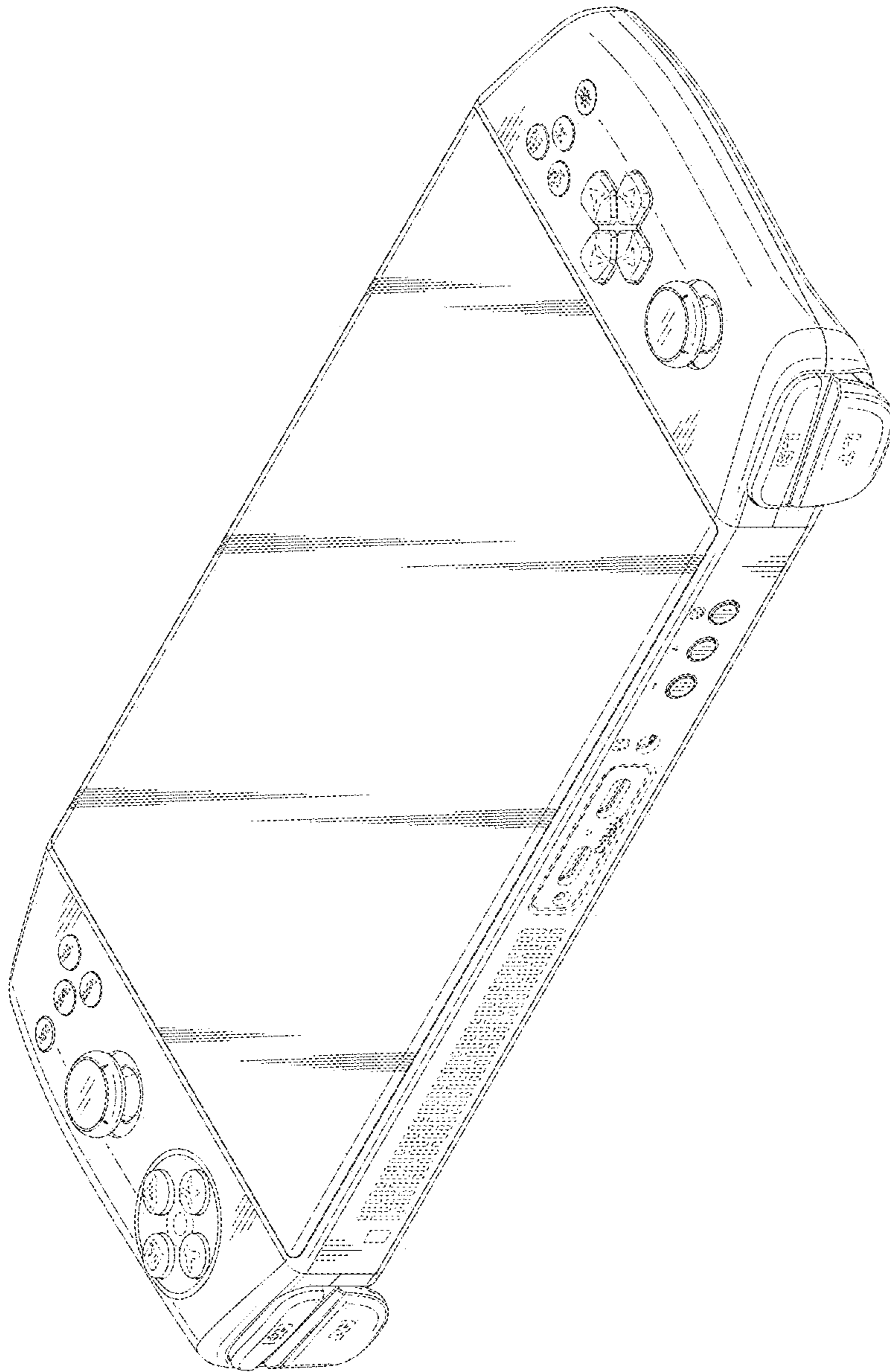


FIG.8

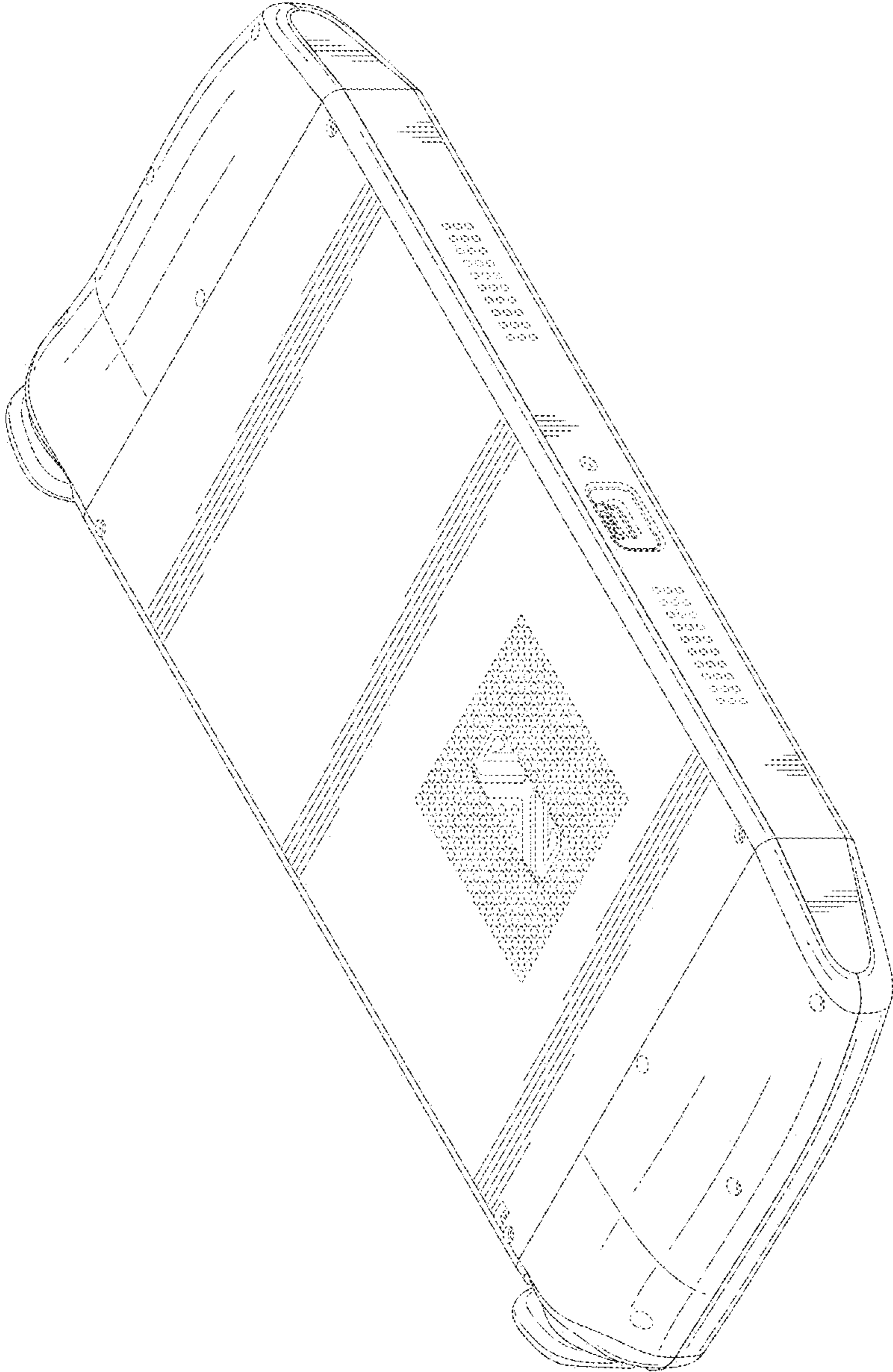


FIG.9