



US00D976906S

(12) **United States Design Patent**  
**Akana et al.**

(10) **Patent No.:** **US D976,906 S**  
(45) **Date of Patent:** **\*\* Jan. 31, 2023**

(54) **KEYBOARD**

(71) Applicant: **Apple Inc.**, Cupertino, CA (US)

(72) Inventors: **Jody Akana**, San Francisco, CA (US);  
**Molly Anderson**, San Francisco, CA (US); **Bartley K. Andre**, Palo Alto, CA (US); **Shota Aoyagi**, San Francisco, CA (US); **Anthony Michael Ashcroft**, San Francisco, CA (US); **Marine C. Bataille**, San Francisco, CA (US); **Jeremy Bataillou**, San Francisco, CA (US); **Abidur Rahman Chowdhury**, San Francisco, CA (US); **Clara Geneviève Marine Courtaigne**, Palo Alto, CA (US); **Markus Diebel**, San Francisco, CA (US); **Jonathan Gomez Garcia**, San Francisco, CA (US); **M. Evans Hankey**, San Francisco, CA (US); **Richard P. Howarth**, San Francisco, CA (US); **Jonathan P. Ive**, San Francisco, CA (US); **Julian Jaede**, San Francisco, CA (US); **Duncan Robert Kerr**, San Francisco, CA (US); **Peter Russell-Clarke**, San Francisco, CA (US); **Benjamin Andrew Shaffer**, San Jose, CA (US); **Joe Sung-Ho Tan**, San Francisco, CA (US); **Clement Tissandier**, San Francisco, CA (US); **Eugene Antony Whang**, San Francisco, CA (US)

(73) Assignee: **Apple Inc.**, Cupertino, CA (US)

(\*\*) Term: **15 Years**

(21) Appl. No.: **29/756,646**

(22) Filed: **Oct. 29, 2020**

(51) **LOC (14) Cl.** ..... **14-02**

(52) **U.S. Cl.**  
USPC ..... **D14/392**; D14/456

(58) **Field of Classification Search**  
USPC ..... D14/331, 333, 334, 335, 338, 339, 340,

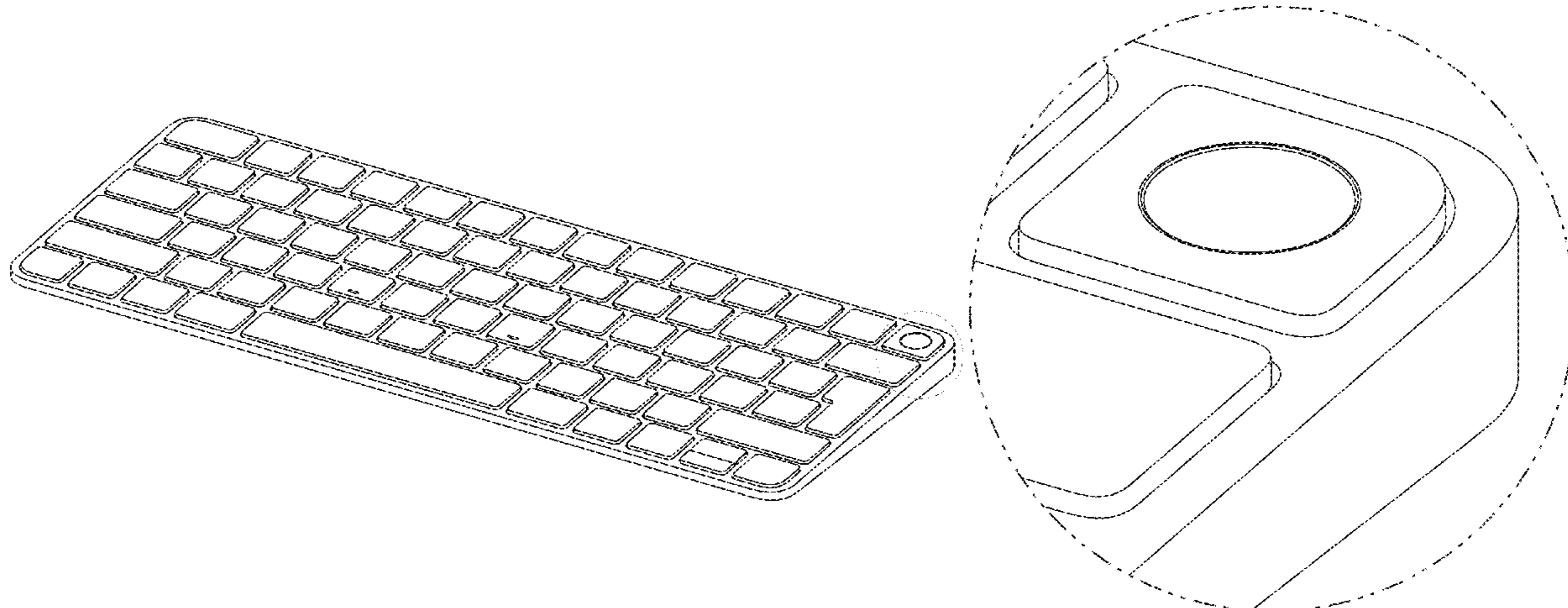
D14/346, 347, 356, 383, 384, 387, 388,  
D14/389, 390, 391, 392, 393, 394, 395,  
D14/396, 397, 398, 399, 400, 401, 407,  
D14/416, 417, 432, 454, 455, 456, 457,  
D14/460, 461, 385, 439; D18/1, 2, 4.2,  
D18/12, 12.2; D21/324, 333  
CPC ..... G06F 3/02; G06F 3/0219; G06F 3/0231;  
G06F 3/0202; G06F 3/0213; G06F  
3/0238; G06F 3/03546; G06F 3/03549;  
G06F 3/0205; B41J 5/10; B41J 5/12;  
B41J 5/107; B41J 5/14; B41J 7/34  
See application file for complete search history.

(56)

**References Cited**

U.S. PATENT DOCUMENTS

D212,865 S	12/1968	Bowman	
3,633,724 A *	1/1972	Samuel .....	B41J 5/16 D18/1
D293,467 S	12/1987	Elkerbout	
D303,111 S	8/1989	Paley	
D310,209 S	8/1990	Kasprzycki	
D316,549 S	4/1991	Hampf	
D334,398 S	3/1993	Conard	
D335,660 S	5/1993	Busch	
D338,452 S	8/1993	Allgeier	
D344,724 S	3/1994	Pangburn	
D346,161 S	4/1994	Oh et al.	
D348,875 S	7/1994	Wang	
5,439,304 A	8/1995	Phillips et al.	
D372,471 S	8/1996	Karidis et al.	
5,717,430 A	2/1998	Copland et al.	
D420,997 S	2/2000	Jordan	
D430,875 S	9/2000	Beecroft	
D436,951 S	1/2001	Andresen	
D445,793 S	7/2001	Ji	
D446,520 S	8/2001	Ji	
D447,136 S	8/2001	Groves et al.	
D454,566 S	3/2002	Andre et al.	
D467,932 S	12/2002	Jones	
D485,271 S	1/2004	Kamegi	
D486,496 S	2/2004	Cookson	
D490,812 S	6/2004	Andre et al.	
D496,664 S	9/2004	Jones et al.	
D501,472 S	2/2005	Kumano	
D501,660 S	2/2005	Kumano	
D514,098 S	1/2006	Huang et al.	
D518,053 S	3/2006	Chen	
7,046,234 B2 *	5/2006	Ozolins .....	G06F 3/021 379/433.07



D526,319 S 8/2006 Ohno  
D529,910 S 10/2006 Ota  
7,167,158 B2 1/2007 Silverbrook  
D543,544 S 5/2007 Cheng  
D556,758 S 12/2007 Nguyen et al.  
D558,753 S 1/2008 Andre et al.  
D572,246 S 7/2008 Andre et al.  
D574,378 S 8/2008 Andre et al.  
D579,450 S 10/2008 Ozolins et al.  
D580,433 S 11/2008 Chiang et al.  
D588,126 S 3/2009 Chiang et al.  
7,548,220 B2 6/2009 Silverbrook  
7,567,221 B2 7/2009 Silverbrook  
D598,451 S 8/2009 Andre et al.  
D600,688 S 9/2009 Andre et al.  
D603,861 S 11/2009 Hong et al.  
D604,289 S 11/2009 Andre et al.  
D604,294 S 11/2009 Andre et al.  
D604,300 S 11/2009 Andre et al.  
D604,736 S 11/2009 Andre et al.  
D606,068 S 12/2009 Hong et al.  
D606,534 S 12/2009 Hong et al.  
D607,450 S 1/2010 Morishita et al.  
D611,469 S 3/2010 Andre et al.  
D612,843 S 3/2010 Andre et al.  
D612,844 S 3/2010 Andre et al.  
D613,284 S 4/2010 Solomon et al.  
D613,298 S 4/2010 Wang et al.  
D616,880 S 6/2010 Andre et al.  
D616,881 S 6/2010 Andre et al.  
D616,886 S 6/2010 Andre et al.  
D621,402 S 8/2010 Andre et al.  
D625,310 S 10/2010 Andre et al.  
D625,717 S 10/2010 Andre et al.  
D626,555 S \* 11/2010 Huang ..... D14/392  
D633,093 S 2/2011 Andre et al.  
D633,498 S 3/2011 Andre et al.  
D635,566 S 4/2011 Andre et al.  
D639,807 S 6/2011 Buhler  
D640,694 S 6/2011 Matias  
D640,695 S 6/2011 Andre et al.  
D641,021 S 7/2011 Andre et al.  
D642,172 S 7/2011 Akana et al.  
D642,560 S 8/2011 Akana et al.  
D649,549 S 11/2011 Andre et al.  
D652,032 S 1/2012 Akana et al.  
D655,704 S 3/2012 Akana et al.  
D661,296 S 6/2012 Akana et al.  
D662,497 S 6/2012 Akana et al.  
D662,935 S 7/2012 Andre et al.  
D664,144 S 7/2012 Akana et al.  
D664,537 S 7/2012 Hu et al.  
D667,404 S 9/2012 Akana et al.  
D676,048 S 2/2013 McManigal et al.  
D681,031 S 4/2013 Lee et al.  
8,414,207 B1 \* 4/2013 Knighton ..... G06F 3/02  
400/489  
D685,784 S 7/2013 Ma  
D687,030 S 7/2013 Andre et al.  
D687,031 S 7/2013 Chen et al.  
D691,129 S 10/2013 Akana et al.  
D695,291 S 12/2013 Andre et al.  
D696,244 S 12/2013 Akana et al.  
D696,659 S 12/2013 Chen et al.  
D696,660 S 12/2013 Chen et al.  
D696,661 S 12/2013 Chen et al.  
D706,772 S 6/2014 Koyama et al.  
D708,179 S 7/2014 Andre et al.  
8,847,923 B1 \* 9/2014 Bowen ..... G06F 3/0202  
345/175  
D729,227 S 5/2015 Fukuoka  
D735,196 S 7/2015 Son  
9,128,532 B2 9/2015 Yu et al.  
D740,831 S 10/2015 Colby  
D745,521 S 12/2015 Jiang et al.  
D757,022 S 5/2016 Dirksen  
D758,377 S 6/2016 Warren et al.  
D760,226 S 6/2016 Bailey et al.  
D767,579 S 9/2016 Mo et al.

D768,632 S \* 10/2016 Ruegg ..... D14/392  
D772,861 S 11/2016 Akana et al.  
D772,885 S 11/2016 Akana et al.  
D772,886 S 11/2016 Akana et al.  
D773,474 S 12/2016 Akana et al.  
D775,630 S 1/2017 Starrett  
D776,114 S 1/2017 Akana et al.  
D797,096 S 9/2017 Akana et al.  
D820,260 S 6/2018 Ang  
D829,210 S 9/2018 Buhler  
D836,111 S 12/2018 Buhler  
D848,421 S \* 5/2019 Turksu ..... D14/399  
D888,721 S 6/2020 Akana et al.  
10,903,026 B2 \* 1/2021 Blatt ..... H01H 9/02  
D912,066 S \* 3/2021 Zhu ..... D14/455  
D916,711 S \* 4/2021 Akana ..... D14/455  
D941,291 S \* 1/2022 Escolin ..... D14/392  
2011/0043985 A1 2/2011 Yang  
2012/0099264 A1 4/2012 Degner et al.  
2014/0090966 A1 \* 4/2014 Yu ..... H01H 13/705  
29/447

FOREIGN PATENT DOCUMENTS

JP D1412803 5/2011  
JP D1469499 5/2013  
JP D1563149 11/2016  
JP D1616277 10/2018  
KR 30-2008-0007143 10/2008  
KR 3005641440000 6/2010

OTHER PUBLICATIONS

Apple starts selling the Touch ID Magic Keyboard. Apple, pocket-lint.com (online) 12 pages. Posted Aug. 3, 2021. [Retrieved May 3, 2022] <https://www.pocket-lint.com/gadgets/news/apple/157909-apple-touch-id-magic-keyboard-price-release-date-how-to-buy-no-imac> (Year: 2021).\*

Apple Magic Keyboard. Apple, amazon.com (online) 4 pages. Posted Nov. 1, 2018. [Retrieved May 5, 2022] [https://www.amazon.ca/dp/B01CR1L62K/ref=cm\\_sw\\_em\\_r\\_mt\\_dp\\_AHP675176ADK0C0KW64K](https://www.amazon.ca/dp/B01CR1L62K/ref=cm_sw_em_r_mt_dp_AHP675176ADK0C0KW64K) (Year: 2018).\*

Sony Vaio X505, available at least as early as May 8, 2005.  
Sony X505 Keyboard, available at least as early as May 8, 2005.  
Sony VAIO PCG-4G1L, available at least as early as May 8, 2006.  
Olidata Altro, available at least as early as June 1, 2009.  
Olidata Altro, <http://notebookitalia.it/olidata-altro-italian-style-notebook-culv-5674.html>, published Mar. 3, 2009.  
Rudi, 13-inch MacBook Air has a modern interior, Nov. 2, 2011, prohardver, 2pgs.  
Onkyo Corporation Japan, Keyboard, available as early as July 22, 2015.  
Lenovo Group Ltd., Keyboard, available as early as July 22, 2015.  
U.S. Appl. No. 29/779,164 to Jody Akana et al., titled “Electronic Device”, filed April 16, 2021 (unpublished).  
U.S. Appl. No. 29/361,525 to Jody Akana et al., titled “Electronic Device”, filed May 12, 2010 (unpublished).  
U.S. Appl. No. 29/476,137 to Jody Akana et al., titled “Electronic Device”, filed Dec. 11, 2013 (unpublished).

\* cited by examiner

Primary Examiner — Kathleen L Jones  
Assistant Examiner — Cole Sanders Holman  
(74) Attorney, Agent, or Firm — Saidman DesignLaw Group, LLC

(57) CLAIM

The ornamental design for a keyboard, as shown and described.

DESCRIPTION

FIG. 1 is a perspective view of a keyboard showing the claimed design;

FIG. 2 is a front view thereof;  
FIG. 3 is a rear view thereof;  
FIG. 4 is a left side view thereof;  
FIG. 5 is a right side view thereof;  
FIG. 6 is a top view thereof;  
FIG. 7 is a bottom view thereof; and,  
FIG. 8 is an enlarged view of the portion encircled in FIG.  
**1.**

The evenly dashed broken lines in the figures depict portions of the keyboard that form no part of the claimed design. The dot-dot-dash broken lines depict an area of enlargement.

**1 Claim, 6 Drawing Sheets**

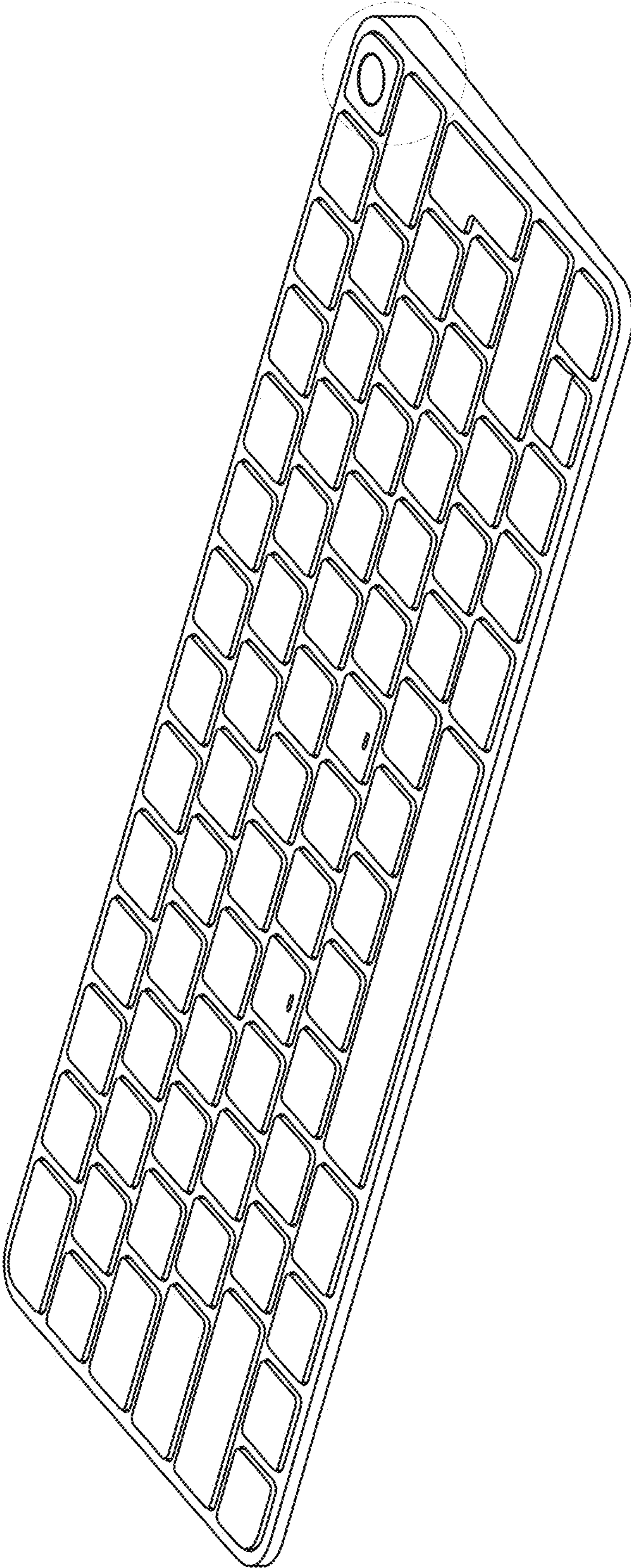


Fig. 1



Fig. 2

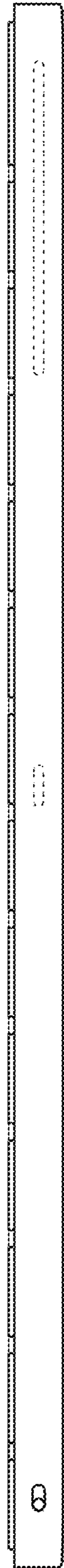


Fig. 3

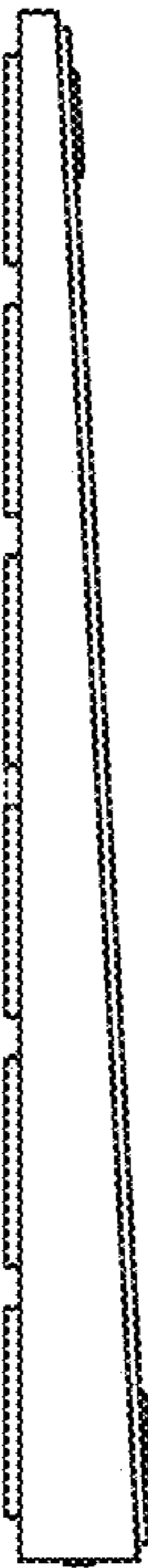


Fig. 4



Fig. 5

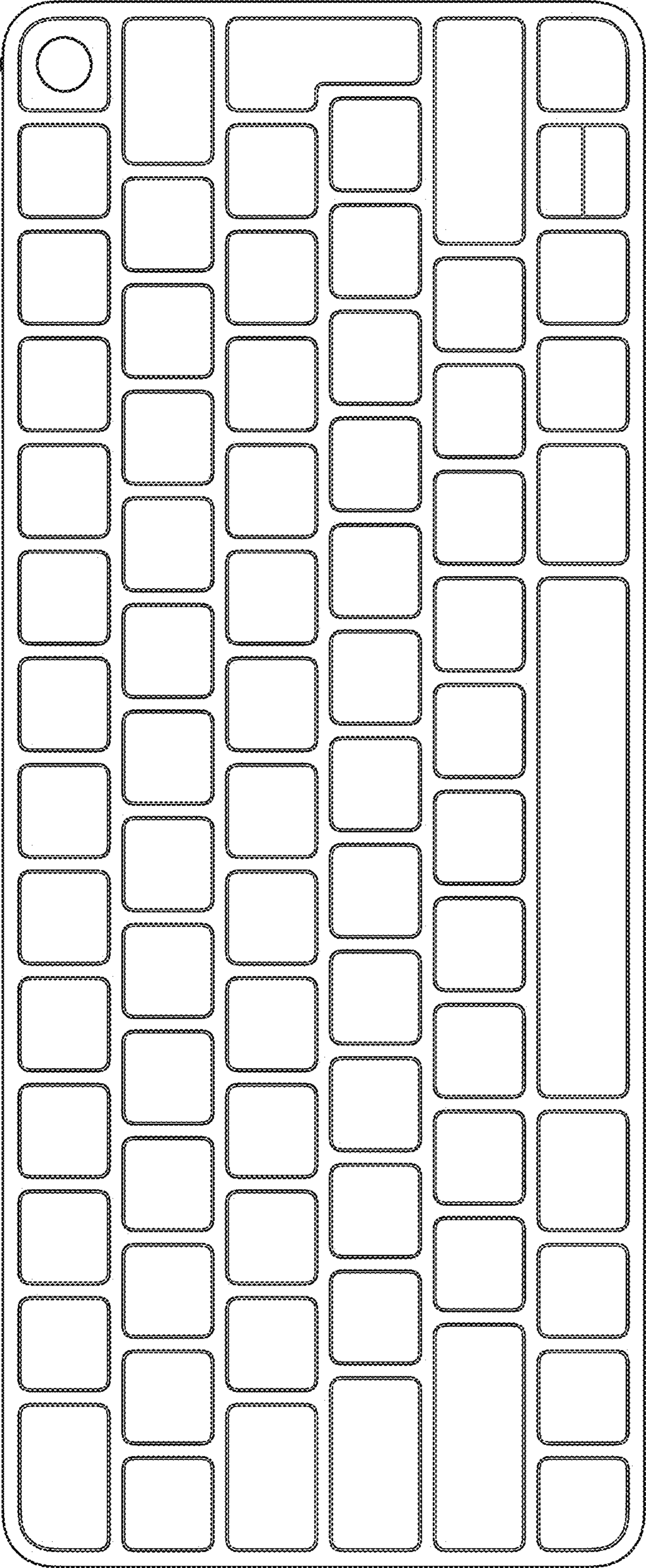


Fig. 6

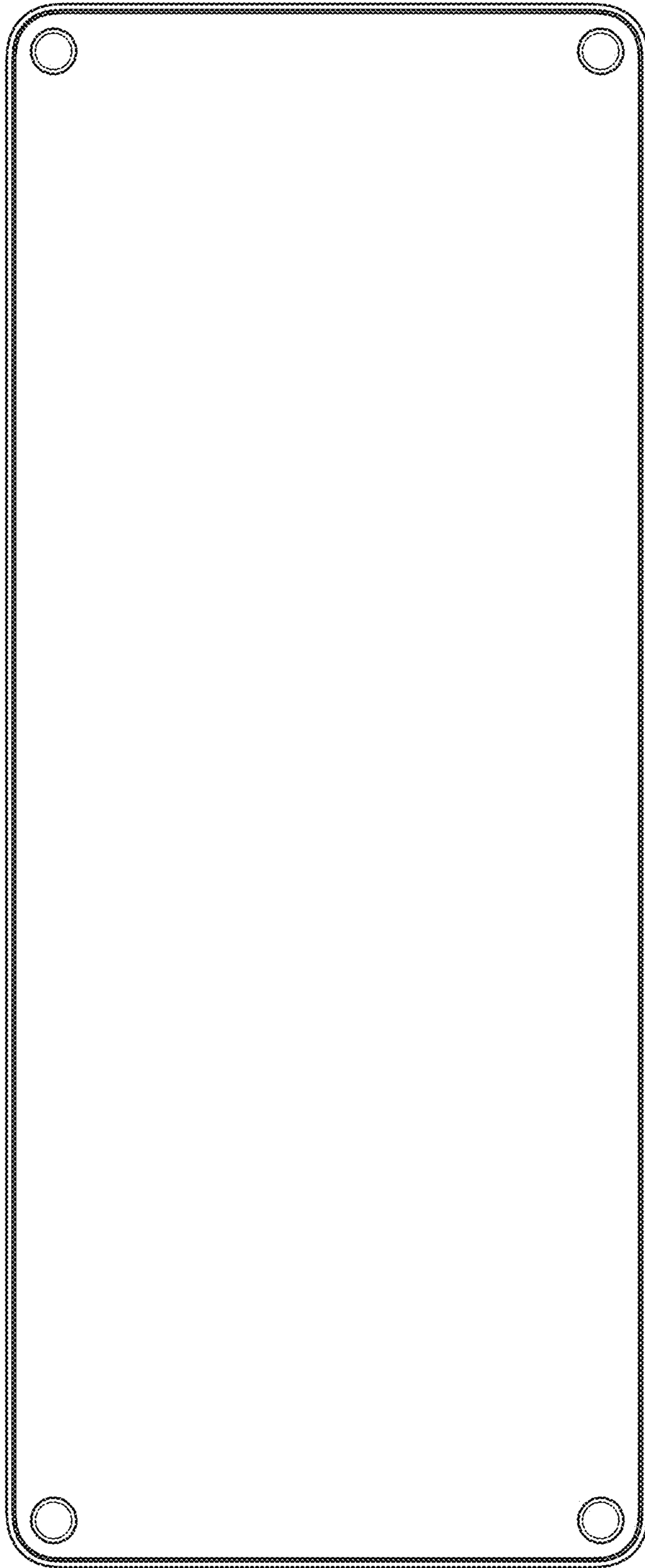


Fig. 7



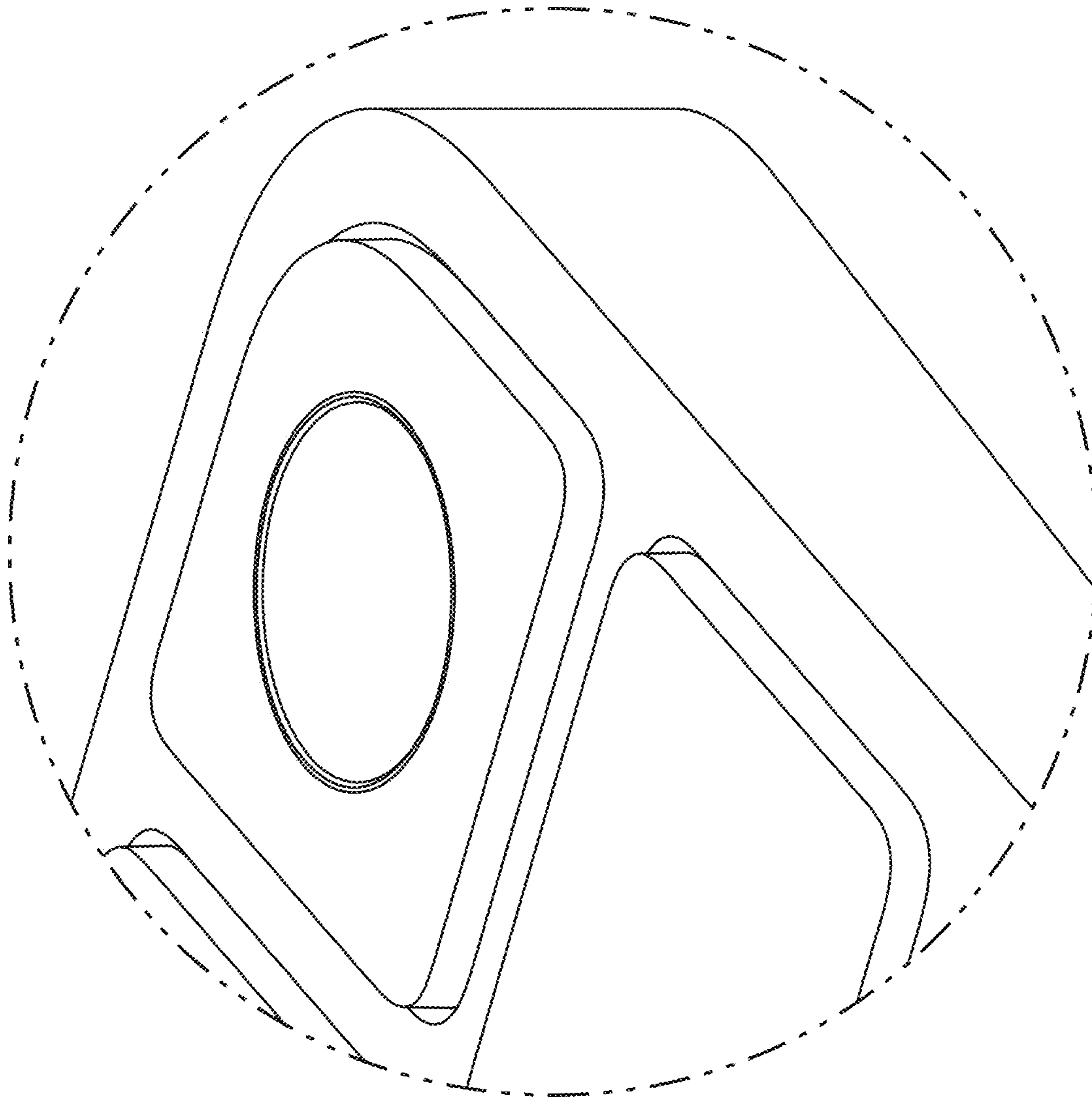


Fig. 8