



US00D976905S

(12) **United States Design Patent**
Knatt

(10) **Patent No.:** **US D976,905 S**
(45) **Date of Patent:** **** Jan. 31, 2023**

(54) **DISPLAY PANEL FOR AN ICE MAKER**

(71) Applicant: **True Manufacturing Co., Inc.**,
O'Fallon, MO (US)

(72) Inventor: **Kevin Knatt**, St. Louis, MO (US)

(73) Assignee: **TRUE MANUFACTURING CO., INC.**,
O'Fallon, MO (US)

(**) Term: **15 Years**

(21) Appl. No.: **29/721,223**

(22) Filed: **Jan. 18, 2020**

(51) **LOC (14) Cl.** **14-02**

(52) **U.S. Cl.**
USPC **D14/388**; D15/80; D15/89; D10/50

(58) **Field of Classification Search**
USPC D14/441, 444-445, 388-389; D11/95,
D11/108; D5/63; D2/976-977;
D15/79-91; D23/303, 386;
D10/122-123, 125; D3/318, 322
CPC . F25C 1/00; A44C 3/001; A44C 5/027; A44C
3/002; A44C 3/004; A44C 3/005
See application file for complete search history.

(56) **References Cited**

U.S. PATENT DOCUMENTS

D87,955 S	*	10/1932	Benn	D15/82
D87,956 S	*	10/1932	Benn	D15/82
D340,044 S	*	10/1993	Chu	D14/444
D340,045 S	*	10/1993	Chu	D14/444
D383,796 S	*	9/1997	Rinicella	D20/10
D394,252 S	*	5/1998	Dingman	D14/441
D394,253 S	*	5/1998	Dingman	D14/441
D407,540 S	*	4/1999	Dolinsky	D2/946
D416,565 S	*	11/1999	Bardin	D15/91
D419,148 S	*	1/2000	Foslien	D14/441
D419,572 S	*	1/2000	Bardin	D15/89

(Continued)

FOREIGN PATENT DOCUMENTS

DE 102011082789 A1 3/2013
EM 008048854-0009 * 1/2020

(Continued)

OTHER PUBLICATIONS

3D-77 Wall Panels, Talissa, talissadecor.com, author unlisted, published on Sep. 20, 2020 per wayback machine © 2021 Talissa Decor, online, site visited May 25, 2021. Available at URL: <https://www.talissadecor.com/product/3d-77-wall-panels/> (Year: 2020).*

(Continued)

Primary Examiner — Holly E Thurman

Assistant Examiner — Altaira J Swangin

(74) *Attorney, Agent, or Firm* — Stinson LLP

(57) **CLAIM**

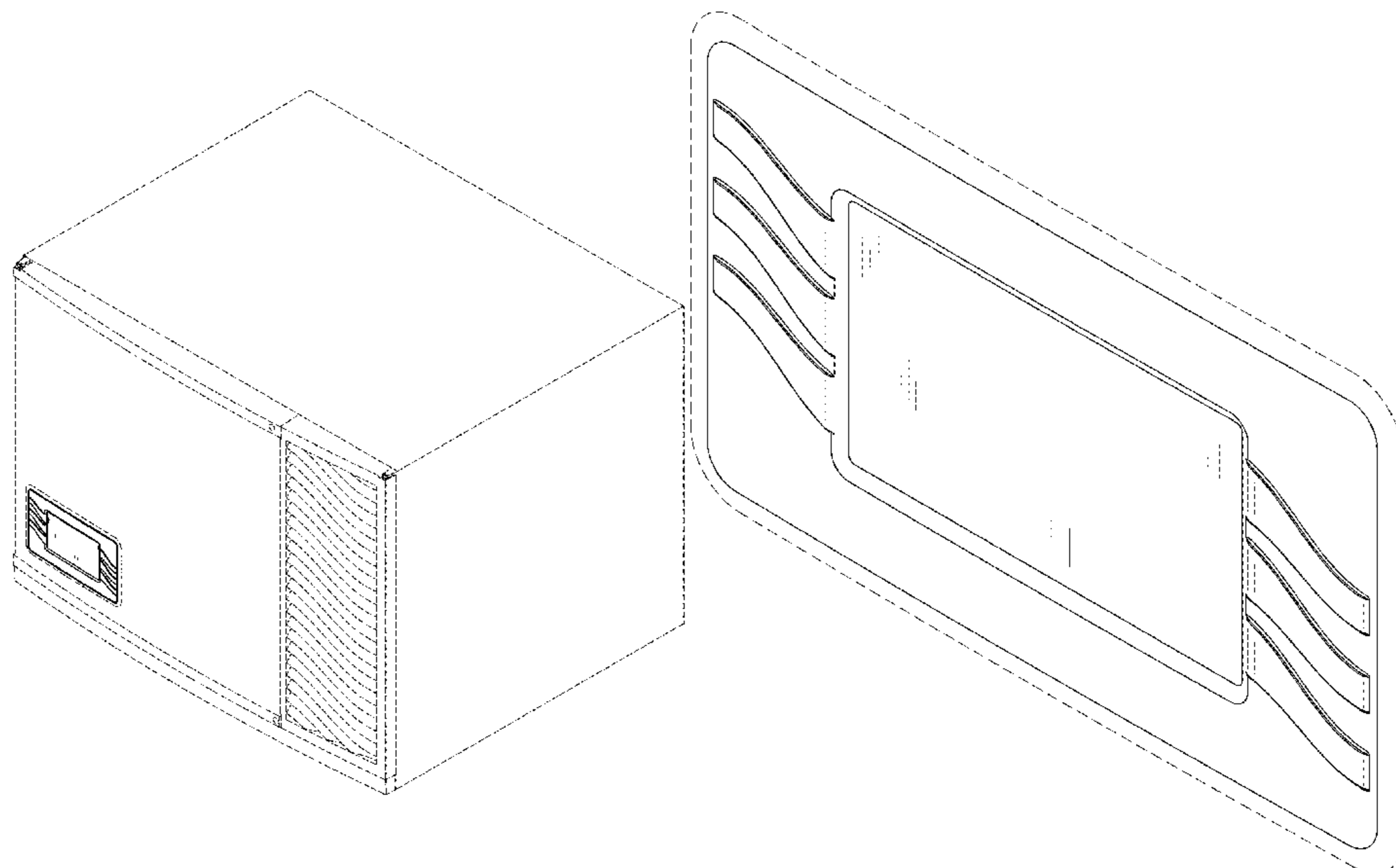
The ornamental design for a display panel for an ice maker, as shown and described.

DESCRIPTION

FIG. 1 is a perspective view of a display panel for an ice maker installed on one type of ice maker; FIG. 2 is a perspective view of the display panel for an ice maker with the environment removed for ease of illustration; FIG. 3 is a front view thereof; FIG. 4 is a right side view thereof; FIG. 5 is a top view thereof; FIG. 6 is a left side view thereof; and, FIG. 7 is a bottom view thereof.

The rear of the display panel for an ice maker forms no part of the claimed design. The broken lines in the drawings depict portions of the display panel for an ice maker that form no part of the claimed design. The additional sets of broken lines in FIGS. 1-2, showing ice makers, represent environment and form no part thereof.

1 Claim, 7 Drawing Sheets



(56)

References Cited

U.S. PATENT DOCUMENTS

D432,772 S * 10/2000 Debiase D2/972
 D474,186 S * 5/2003 Frank D14/444
 D492,319 S * 6/2004 Knetsch D14/445
 D505,676 S * 5/2005 Porter D14/388
 D565,717 S * 4/2008 Jacak D23/371
 D574,478 S * 8/2008 Miyake D23/371
 D580,801 S * 11/2008 Takach D10/50
 D581,508 S * 11/2008 Miyake D23/371
 D587,907 S * 3/2009 Vandenberg D5/56
 D587,908 S * 3/2009 Carlson D5/56
 D587,909 S * 3/2009 Carlson D5/56
 D594,663 S * 6/2009 Vandenberg D5/63
 D602,382 S * 10/2009 Kennedy D10/50
 D606,118 S * 12/2009 Voron D20/5
 D646,185 S * 10/2011 Edgar D10/50
 D651,530 S * 1/2012 Baumgartner D10/50
 D662,094 S * 6/2012 Mack D14/371
 D669,774 S * 10/2012 Yamaguchi D9/418
 D678,497 S * 3/2013 Tom D23/371
 D681,794 S * 5/2013 Lin D23/371
 D705,092 S * 5/2014 Edgar D10/50
 D705,417 S * 5/2014 Lin D23/371
 D718,812 S * 12/2014 Sukhbaatar D19/69
 D719,854 S * 12/2014 Edgar D10/50
 D719,997 S * 12/2014 Creighton D16/300
 D724,992 S * 3/2015 Bannaka D11/95
 D731,330 S * 6/2015 Edgar D10/50
 D731,332 S * 6/2015 Edgar D10/50
 D762,644 S * 8/2016 Maffetone D14/371
 D768,787 S * 10/2016 Betsui D21/398
 D771,157 S * 11/2016 Yamada D15/81
 D839,930 S * 2/2019 Fischbach D15/79
 D879,163 S * 3/2020 Burns D15/90

D893,555 S * 8/2020 Giulietti D15/79
 D893,559 S * 8/2020 Giulietti D15/81
 D908,861 S * 1/2021 Appiahene-Agyei D23/411
 D909,560 S * 2/2021 Puffer D23/411
 D915,066 S * 4/2021 Blackrock D3/247
 D917,036 S * 4/2021 Hederstierna D23/371
 D917,311 S * 4/2021 Li D10/50
 D931,281 S * 9/2021 Turk D13/164
 D931,282 S * 9/2021 Turk D13/164
 D934,311 S * 10/2021 Knatt D15/80
 D934,924 S * 11/2021 Knatt D15/80
 D941,888 S * 1/2022 Knatt D15/80
 2019/0383550 A1 12/2019 Miedema

FOREIGN PATENT DOCUMENTS

EM 008048854-0010 * 12/2020
 EM 008048854-0011 * 12/2020
 EM 008048854-0012 * 12/2020
 EM 008048854-0013 * 12/2020
 EP 3037757 A 6/2016
 EP 3264014 A1 1/2018
 JP 2014044014 A 3/2014

OTHER PUBLICATIONS

Numerical Indicator, brand not listed, historyofrefrigeration.com, author unlisted, published on Dec. 4, 2017 per wayback machine © 2021 History of Refrigeration, online, site visited Jun. 10, 2021. URL: <http://www.historyofrefrigeration.com/picture/picture-of-numerical-indicator-of-the-fridge/> (Year: 2021).*
 European Search Report in European Application No. 21151947.5 dated Jun. 1, 2021, 11 pages.

* cited by examiner

FIG. 1

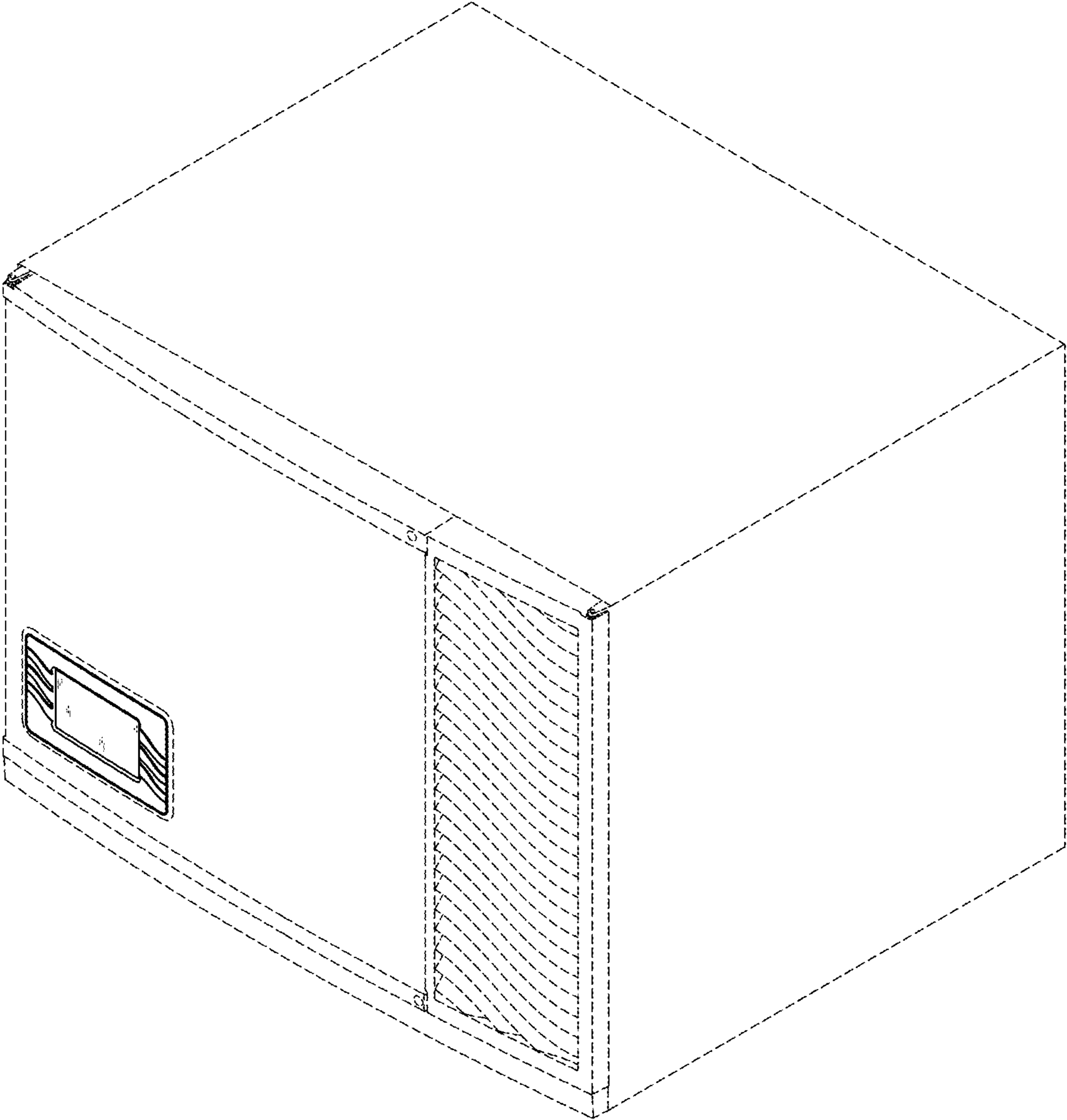
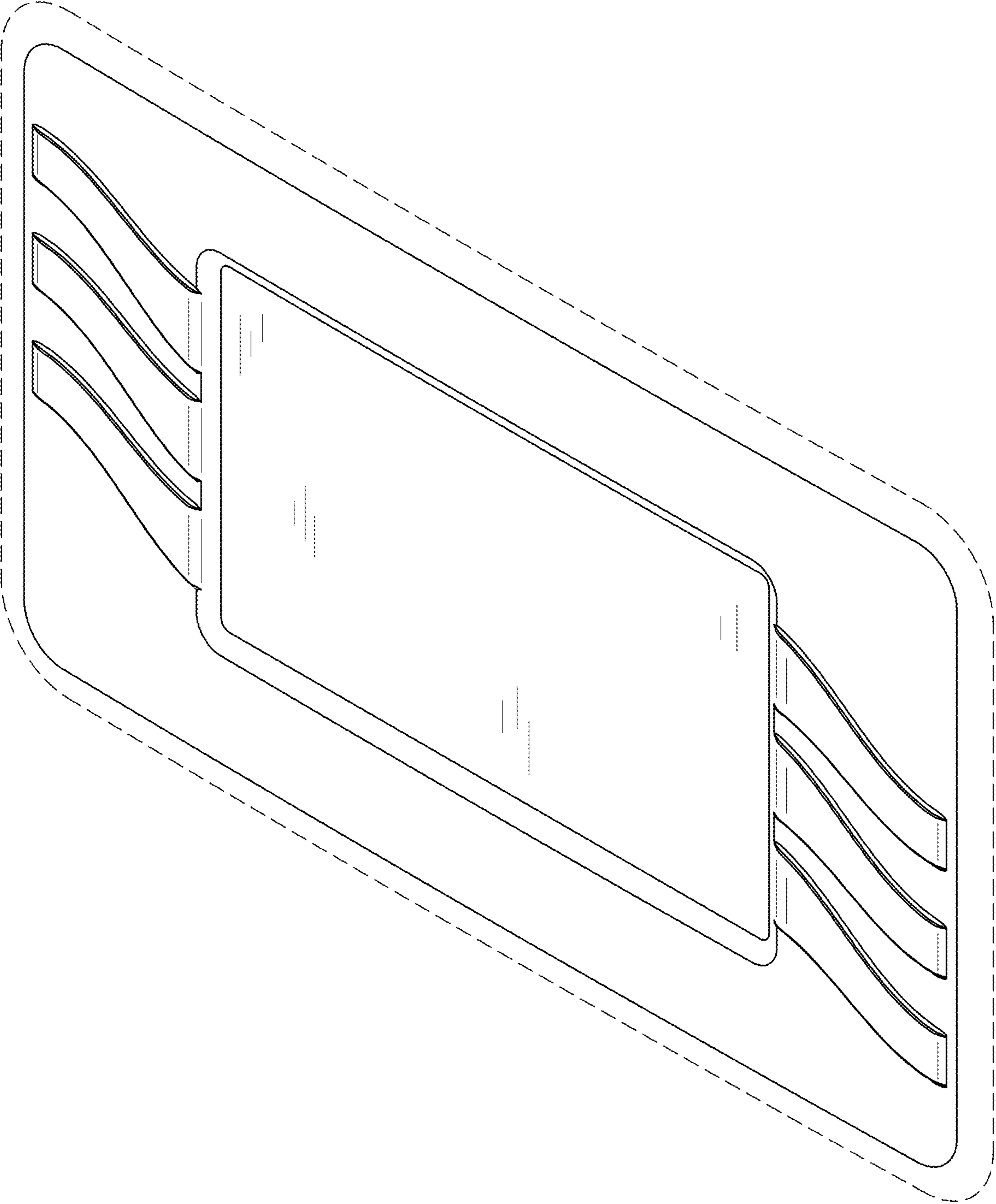


FIG. 2



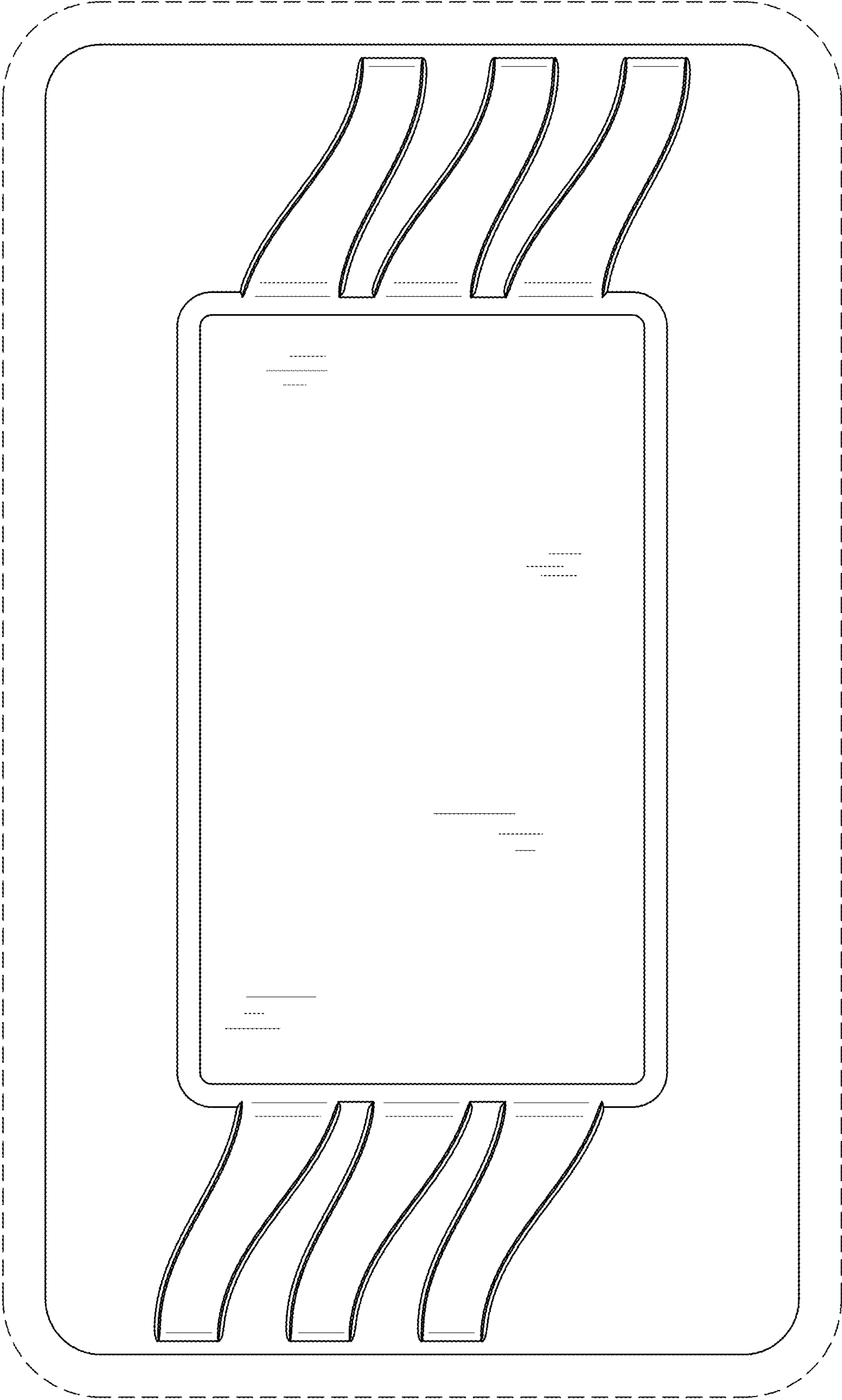


FIG. 3

FIG. 4



FIG. 5

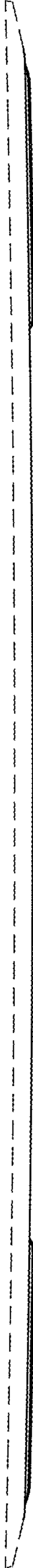


FIG. 6



FIG. 7

