



US00D976904S

(12) **United States Design Patent** (10) **Patent No.:** **US D976,904 S**  
**Fortino et al.** (45) **Date of Patent:** **\*\* Jan. 31, 2023**

(54) **BIOMETRIC SCANNER**  
(71) Applicant: **Stone Lock Global, Inc.**, Overland Park, KS (US)  
(72) Inventors: **John J. Fortino**, Olathe, KS (US); **Yanik Joseph Jacques Brunet**, Surrey (CA); **David Douglas Dunlap**, Leawood, KS (US)

D535,994 S 1/2007 Leibenguth  
D584,695 S 1/2009 Hilsbos et al.  
D593,559 S \* 6/2009 Lin ..... D14/384  
D601,551 S 10/2009 Ray et al.  
D636,986 S 5/2011 Idsoe  
8,515,139 B1 9/2013 Nechyba et al.  
D741,285 S 10/2015 Boynton  
(Continued)

(73) Assignee: **Stone Lock Global, Inc.**, Overland Park, KS (US)

EP 2450831 A2 5/2012  
JP 1625616 S 2/2019  
WO 2020036710 A1 2/2020

(\*\*) Term: **15 Years**

FOREIGN PATENT DOCUMENTS

(21) Appl. No.: **29/762,916**

(22) Filed: **Dec. 18, 2020**

(51) **LOC (14) Cl.** ..... **14-02**

(52) **U.S. Cl.**  
USPC ..... **D14/384**

(58) **Field of Classification Search**  
USPC ..... D14/302-307, 900-902; D13/163; D20/10; D21/332, 325, 369, 370; D99/28; D6/397, 466; 194/206; 361/679.01, 679.02, 679.04, 679.21, 361/679.57, 725  
CPC ..... G06Q 20/18; G06Q 20/10; G06Q 20/123; G06Q 20/20; G06Q 30/02; G06Q 30/06; A47F 9/047

See application file for complete search history.

(56) **References Cited**

U.S. PATENT DOCUMENTS

D425,881 S \* 5/2000 Borza ..... D14/384  
6,219,794 B1 4/2001 Soutar et al.  
6,309,069 B1 10/2001 Seal et al.  
6,496,595 B1 12/2002 Puchek et al.  
D477,321 S 7/2003 Baughman  
D480,725 S 10/2003 Funato  
D497,318 S 10/2004 Strand et al.  
6,940,976 B1 9/2005 Matyas, Jr. et al.

OTHER PUBLICATIONS

Guruprasad et al., "Face Recognition using Transform Domain Techniques", IOSR Journal of VLSI and Signal Processing (IOSR-JVSP), Volume, Issue 3, Ver. II (May-Jun. 2015).

(Continued)

*Primary Examiner* — Austin Murphy

(74) *Attorney, Agent, or Firm* — ArentFox Schiff

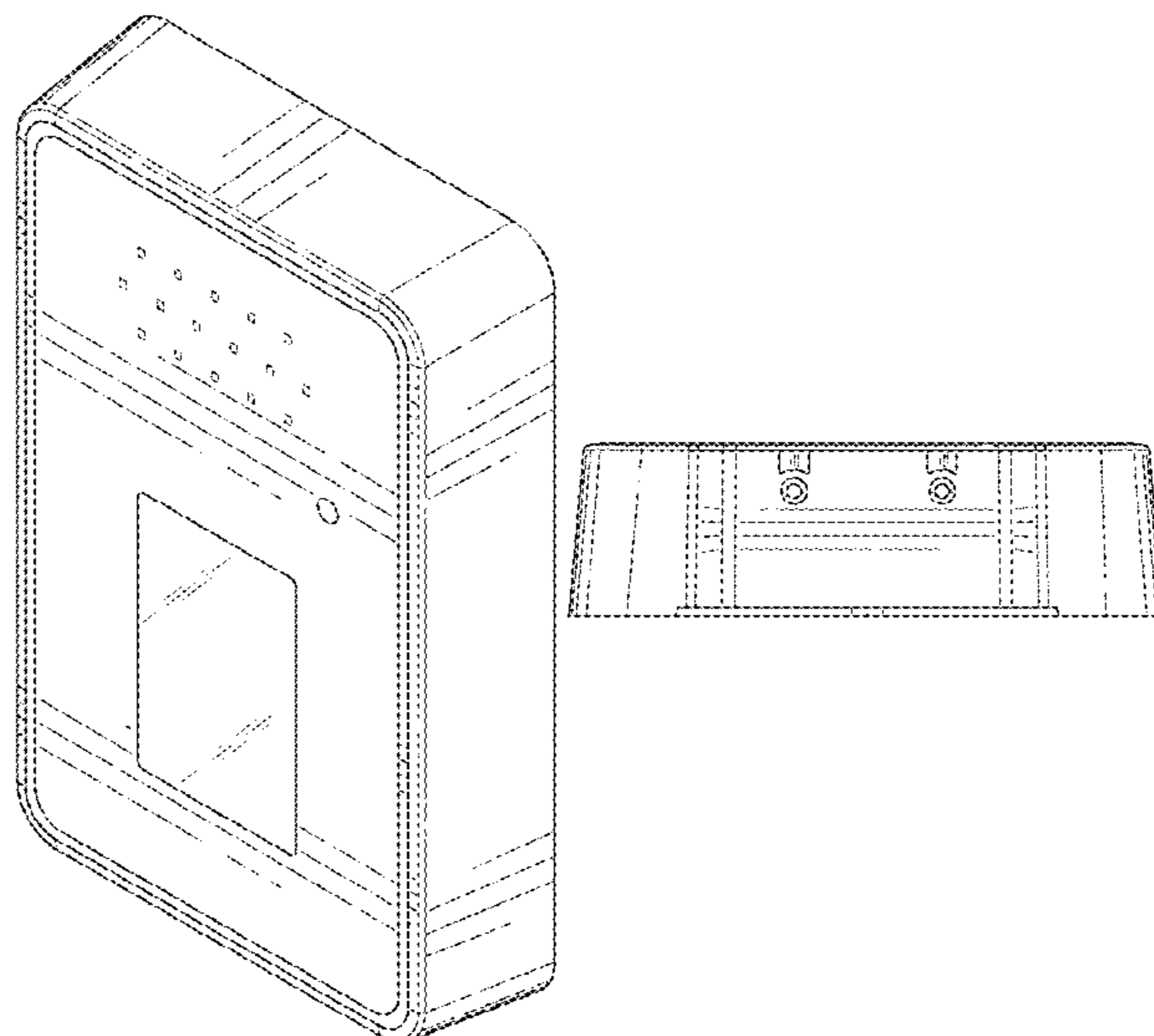
(57) **CLAIM**

The ornamental design for a biometric scanner, as shown and described.

**DESCRIPTION**

FIG. 1 is a perspective view of an embodiment of the biometric scanner;  
FIG. 2 is a front view thereof;  
FIG. 3 is a rear view thereof;  
FIG. 4 is a right side view thereof;  
FIG. 5 is a left side view thereof;  
FIG. 6 is a top view thereof; and,  
FIG. 7 is a bottom view thereof.  
The broken lines showing the remainder of the biometric scanner are for illustrative purposes only and form no part of the claimed design.

**1 Claim, 7 Drawing Sheets**



(56)

References Cited

U.S. PATENT DOCUMENTS

D741,862 S \* 10/2015 Beroukhim ..... D14/384  
 D751,056 S 3/2016 Huang et al.  
 D771,043 S \* 11/2016 Avetisov ..... D14/384  
 D817,306 S 5/2018 Jang et al.  
 10,002,286 B1 6/2018 Prabhu et al.  
 D825,562 S \* 8/2018 Segal ..... D14/384  
 D837,216 S 1/2019 Bagley et al.  
 D855,053 S \* 7/2019 Hickman ..... D14/384  
 D855,613 S 8/2019 Kaiya et al.  
 D858,498 S 9/2019 Busl  
 D864,200 S 10/2019 Holman, IV et al.  
 D870,084 S 12/2019 Tabata et al.  
 D883,969 S 5/2020 Nogueira-Nine et al.  
 D890,753 S 7/2020 Iasso et al.  
 D894,183 S 8/2020 Min et al.  
 D897,326 S 9/2020 Araki  
 10,853,630 B2 12/2020 Trani et al.  
 D913,284 S \* 3/2021 Min ..... D14/383  
 10,949,648 B1 3/2021 Cao et al.  
 D946,573 S \* 3/2022 Vachon ..... D14/384  
 D948,506 S \* 4/2022 Aulert ..... D14/384  
 2002/0140542 A1 10/2002 Prokoski et al.  
 2004/0036574 A1 2/2004 Bostrom  
 2004/0250085 A1 12/2004 Tattan et al.  
 2006/0102843 A1 5/2006 Bazakos et al.  
 2006/0239511 A1 10/2006 White et al.  
 2007/0198850 A1 8/2007 Martin et al.  
 2008/0270803 A1 10/2008 Zizzi  
 2009/0002708 A1 1/2009 McFarland et al.  
 2009/0254572 A1 10/2009 Redlich et al.  
 2009/0292641 A1 11/2009 Weiss  
 2010/0138668 A1 6/2010 Tsuria et al.  
 2010/0186074 A1 7/2010 Stavrou et al.  
 2010/0250497 A1 9/2010 Redlich et al.  
 2010/0290668 A1 11/2010 Freidman et al.  
 2011/0026781 A1 2/2011 Osadchy et al.  
 2011/0188710 A1 8/2011 Muquit  
 2012/0106790 A1 5/2012 Sultana et al.  
 2012/0213422 A1 8/2012 Niskanen et al.  
 2012/0278614 A1 11/2012 Choi  
 2012/0293642 A1 11/2012 Berini et al.  
 2013/0015946 A1 1/2013 Lau et al.  
 2013/0227651 A1 8/2013 Schultz et al.  
 2014/0067679 A1 3/2014 O'Reilly et al.  
 2014/0072185 A1 3/2014 Dunlap et al.  
 2015/0007295 A1 1/2015 Hou et al.  
 2015/0011194 A1 1/2015 Rodriguez

2016/0063235 A1 3/2016 Tussy  
 2016/0269411 A1 9/2016 Malachi  
 2016/0294555 A1 10/2016 Jakobsson et al.  
 2016/0308859 A1 10/2016 Barry et al.  
 2016/0328600 A1 11/2016 Che et al.  
 2017/0103194 A1 4/2017 Wechsler  
 2017/0132466 A1 5/2017 Gousev et al.  
 2017/0140141 A1 5/2017 Yan et al.  
 2017/0262472 A1 9/2017 Goldenberg  
 2017/0308740 A1 10/2017 Dunlap et al.  
 2018/0077138 A1 3/2018 Bansal et al.  
 2018/0165823 A1 6/2018 Ludwig  
 2018/0181737 A1 6/2018 Tussy  
 2018/0191952 A1 7/2018 Ardo et al.  
 2018/0211092 A9 7/2018 Derakhshani et al.  
 2018/0330179 A1 11/2018 Streit  
 2019/0042835 A1 2/2019 Mostafa et al.  
 2019/0057268 A1 2/2019 Burge et al.  
 2019/0147676 A1 5/2019 Madzhunkov et al.  
 2019/0347916 A1 11/2019 Wild et al.  
 2020/0193145 A1 6/2020 Trani et al.  
 2020/0257893 A1 8/2020 Trani et al.

OTHER PUBLICATIONS

International Search Report and Written Opinion issued in International Application No. PCT/US2020/031483 dated Jul. 24, 2020.  
 International Search Report and Written Opinion issued in International Application No. PCT/US20/021256 dated May 15, 2020.  
 Gyaourova et al., Index Codes for Multibiometric Pattern Retrieval, 2012, IEEE Transactions on Information Forensics and Security, vol. 7, No. 2, Apr. 2010, pp. 518-529.  
 International Search Report issued in International Application No. PCT/US2019/043008 dated Oct. 2, 2019.  
 Huang et al., Local Binary Patterns and its Application to Facial Image Analysis: A Survey, 2011, IEEE Transactions on Systems, Man, and Cybernetics—Part C: Applications and Reviews, vol. 41, No. 6, Nov. 2011, pp. 765-781.  
 Fu et al., Centralized Binary Patterns Embedded with Image Euclidean Distance for Facial Expression Recognition, 2008, 2008 Fourth International Conference on Natural Computation, 2008, Jinan, 2008, pp. 115-119.  
 International Search Report and Written Opinion issued in International Application No. PCT/US2020/067338 dated Mar. 25, 2021.  
 European Search Report issued in European Patent Application No. 19849526 dated Apr. 20, 2022.

\* cited by examiner



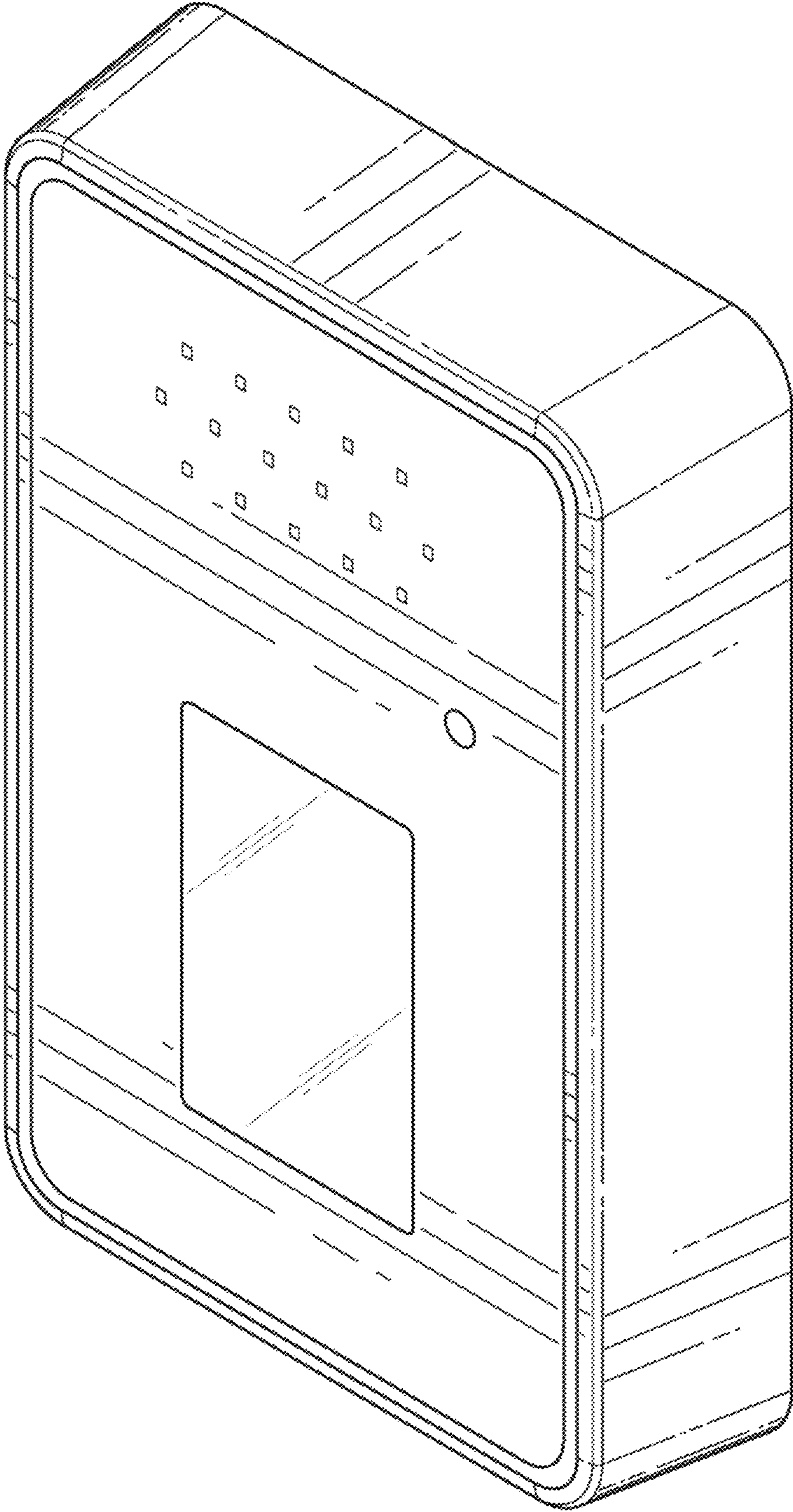


FIG. 1

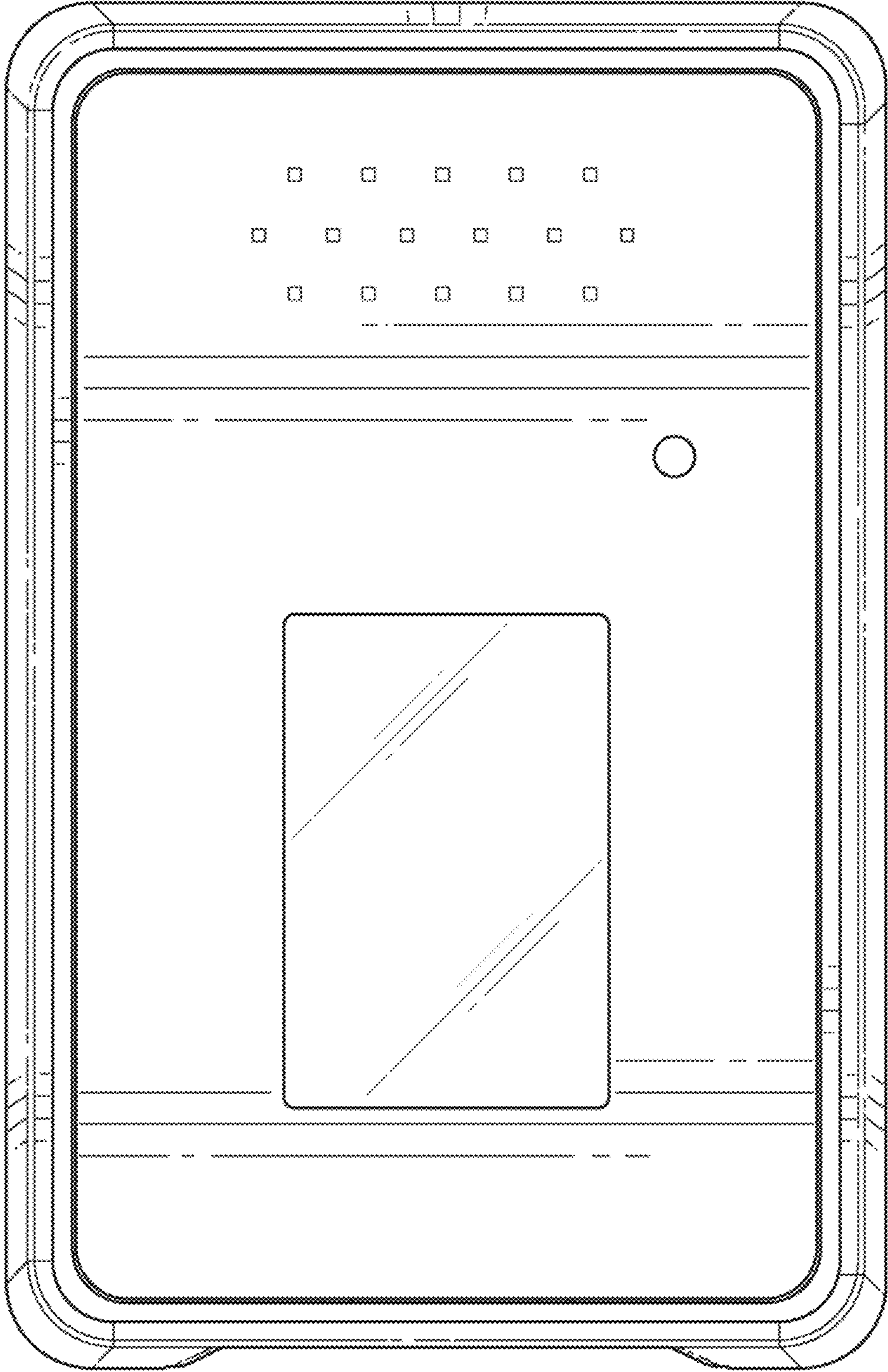


FIG. 2

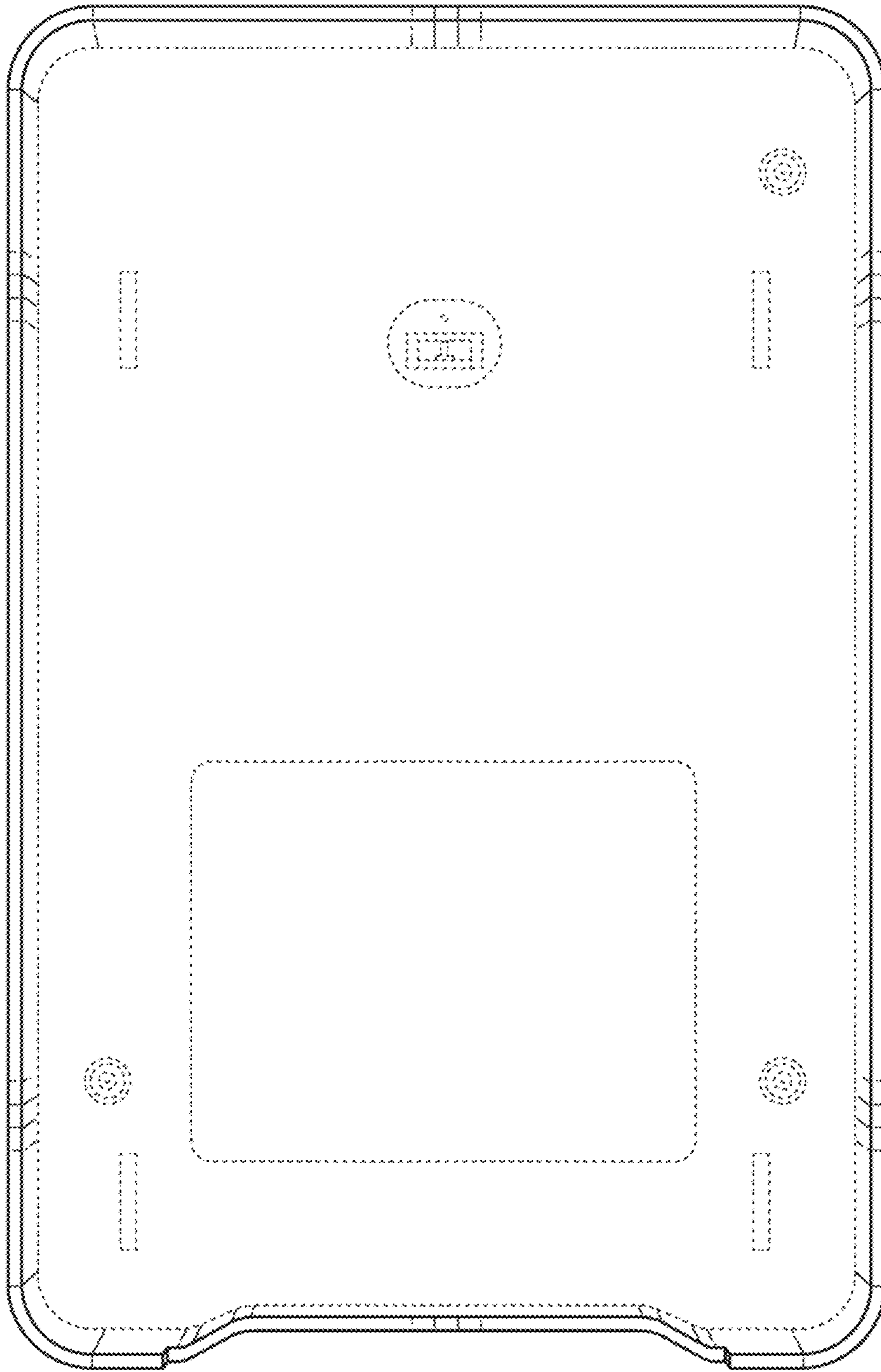


FIG. 3

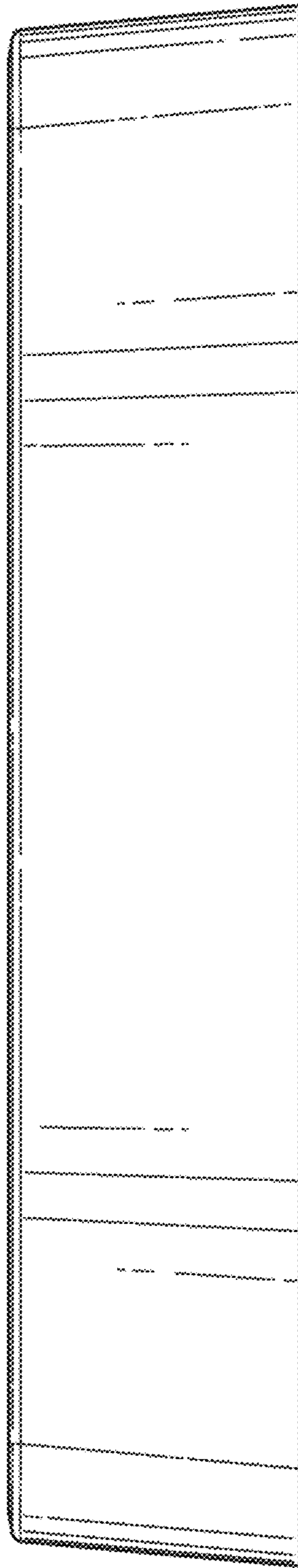


FIG. 4



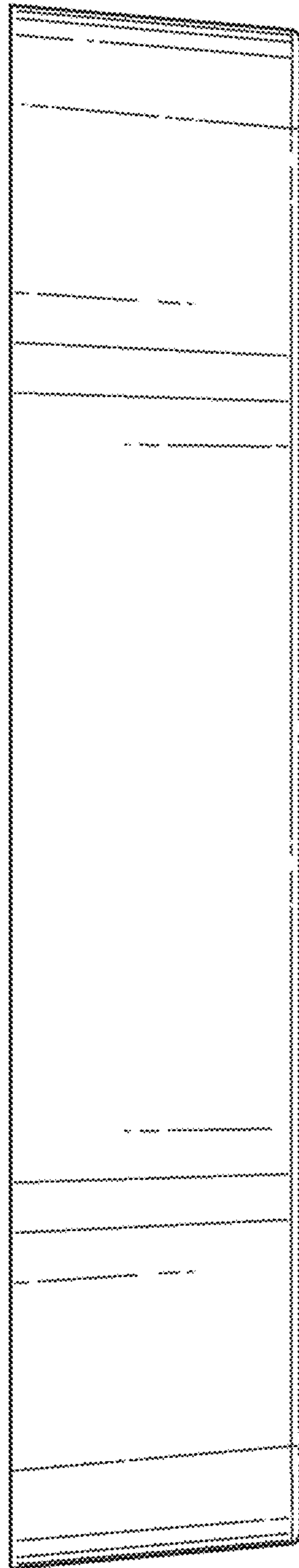


FIG. 5

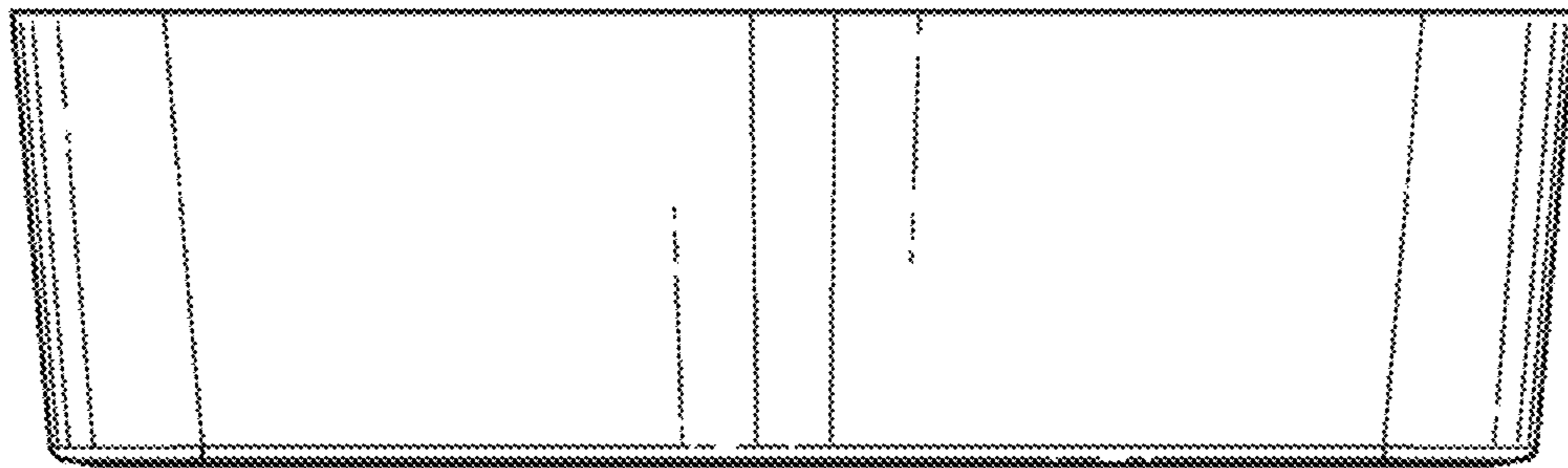


FIG. 6



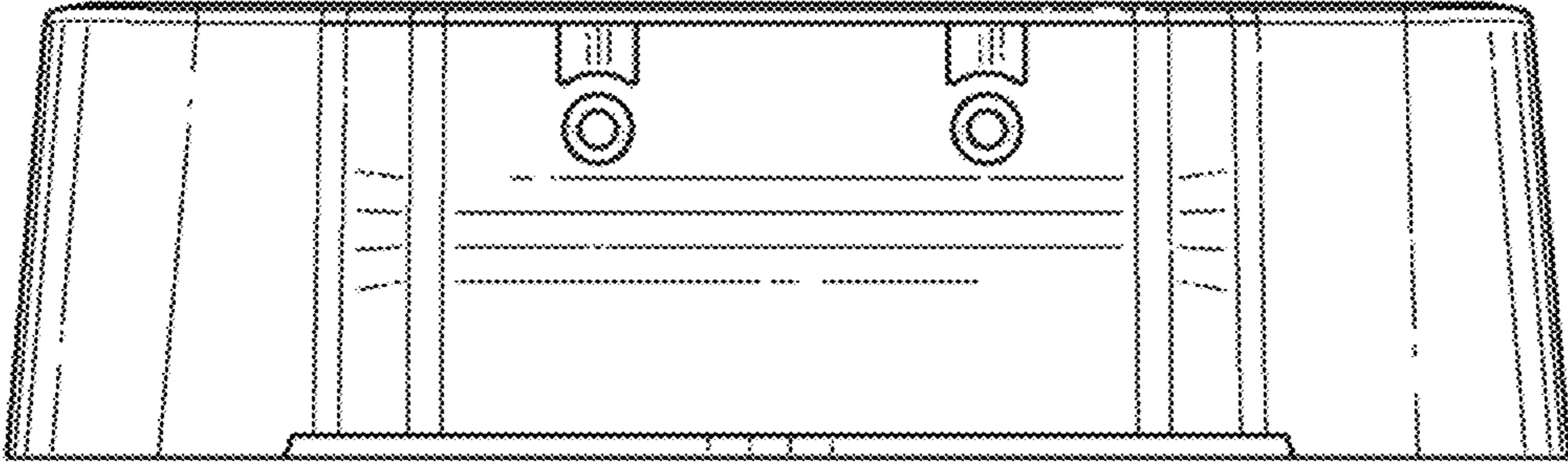


FIG. 7