



US00D976902S

(12) **United States Design Patent**  
**Huajun et al.**

(10) **Patent No.: US D976,902 S**  
(45) **Date of Patent: \*\* Jan. 31, 2023**

(54) **HEADMOUNTED DISPLAY**

(71) Applicant: **Shenzhen NED Optics Co., Ltd.**,  
Shenzhen (CN)

(72) Inventors: **Peng Huajun**, Shenzhen (CN); **Zheng Yupu**, Shenzhen (CN)

(\*\*) Term: **15 Years**

(21) Appl. No.: **35/514,652**

(22) Filed: **Jun. 17, 2022**

(80) **Hague Agreement Data**

Int. Filing Date: **Jun. 17, 2022**

Int. Reg. No.: **DM/221656**

Int. Reg. Date: **Jun. 17, 2022**

Int. Reg. Pub. Date: **Jul. 8, 2022**

(30) **Foreign Application Priority Data**

Mar. 18, 2022 (CN) ..... 202230142293.2

(51) **LOC (14) Cl.** ..... **14-02**

(52) **U.S. Cl.**  
USPC ..... **D14/372**

(58) **Field of Classification Search**  
USPC ..... D14/372, 496, 432, 371, 125, 126, 129,  
D14/299; D16/300-342; 351/158, 153,  
351/144; 345/7-9, 905; 455/344;  
348/115, 53, 121, 739

CPC ..... G02B 27/017; G02B 27/0158; G02B  
27/0161; G02B 27/0181; G02B 27/0185;  
G02B 27/0189

See application file for complete search history.

(56) **References Cited**

U.S. PATENT DOCUMENTS

D369,595 S *	5/1996	Kober .....	D14/372
D415,146 S *	10/1999	Hori .....	D14/372
D764,467 S *	8/2016	Nokuo .....	D14/372
D778,909 S *	2/2017	Nokuo .....	D14/372
D781,289 S *	3/2017	Patel .....	D14/372
D806,710 S *	1/2018	Chen .....	D14/372
D862,469 S *	10/2019	Sadot .....	D14/372
D875,093 S *	2/2020	Park .....	D14/372
D882,568 S *	4/2020	Park .....	D14/372
D896,223 S *	9/2020	Amijo .....	D14/372
D918,203 S *	5/2021	Chen .....	D14/372

\* cited by examiner

*Primary Examiner* — Austin Murphy

(57) **CLAIM**

The ornamental design for a head-mounted display, as shown and described.

**DESCRIPTION**

1. Head-mounted display

1.1 : Perspective

1.2 : Front

1.3 : Back

1.4 : Top

1.5 : Bottom

1.6 : Left

1.7 : Right

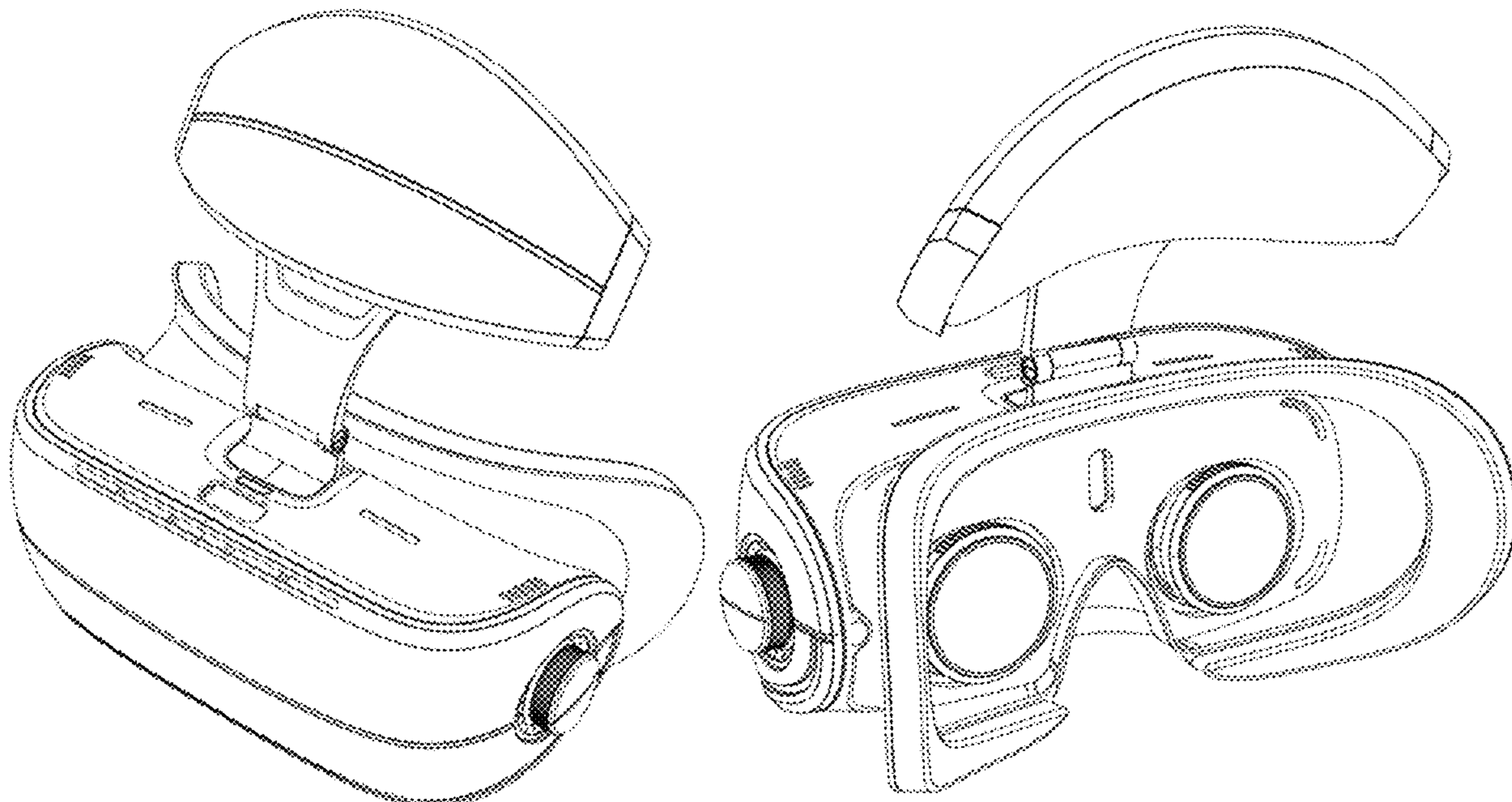
1.8 : Perspective

1.9 : Perspective

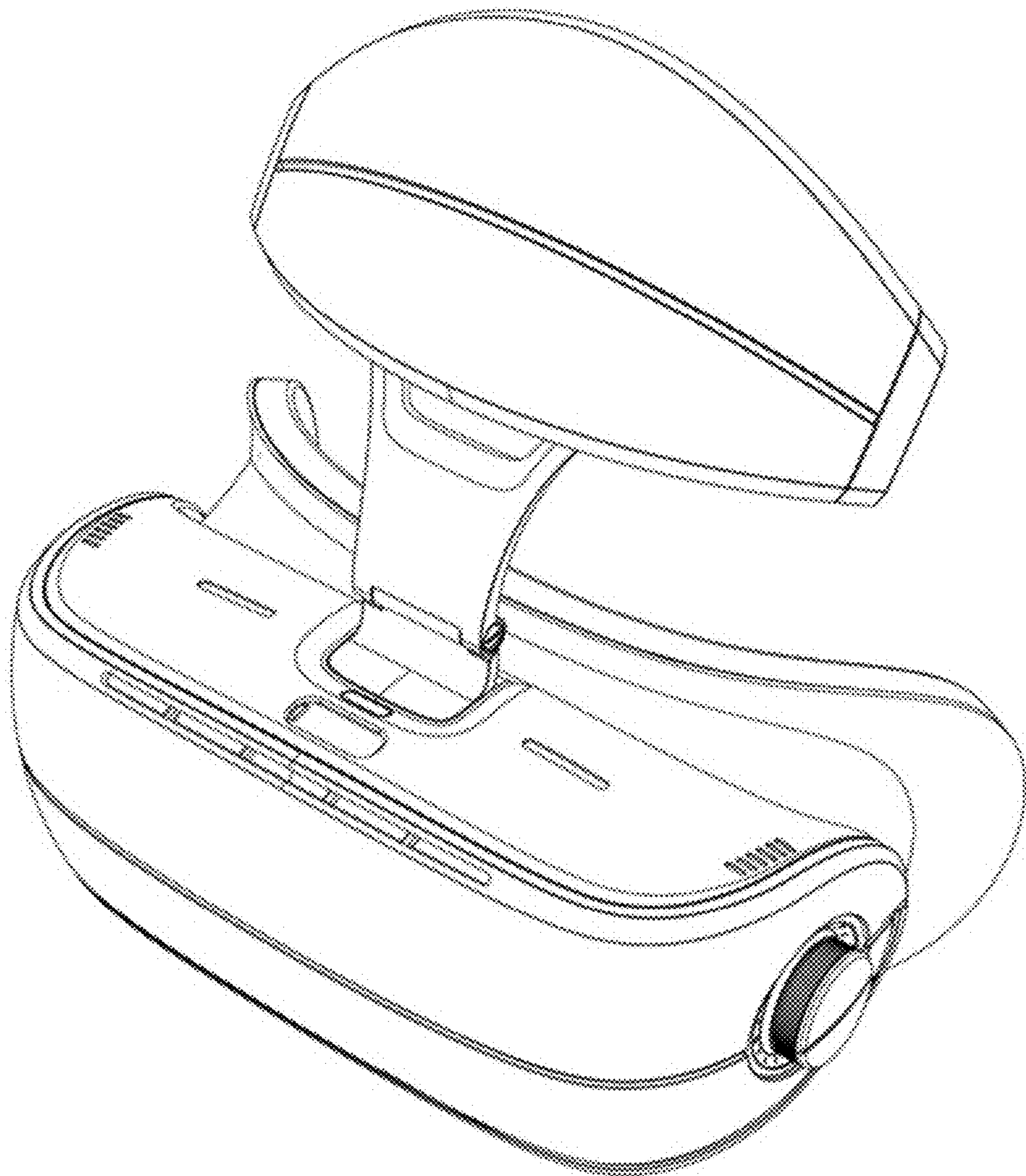
1.10 : Perspective

Display devices for images and videos.

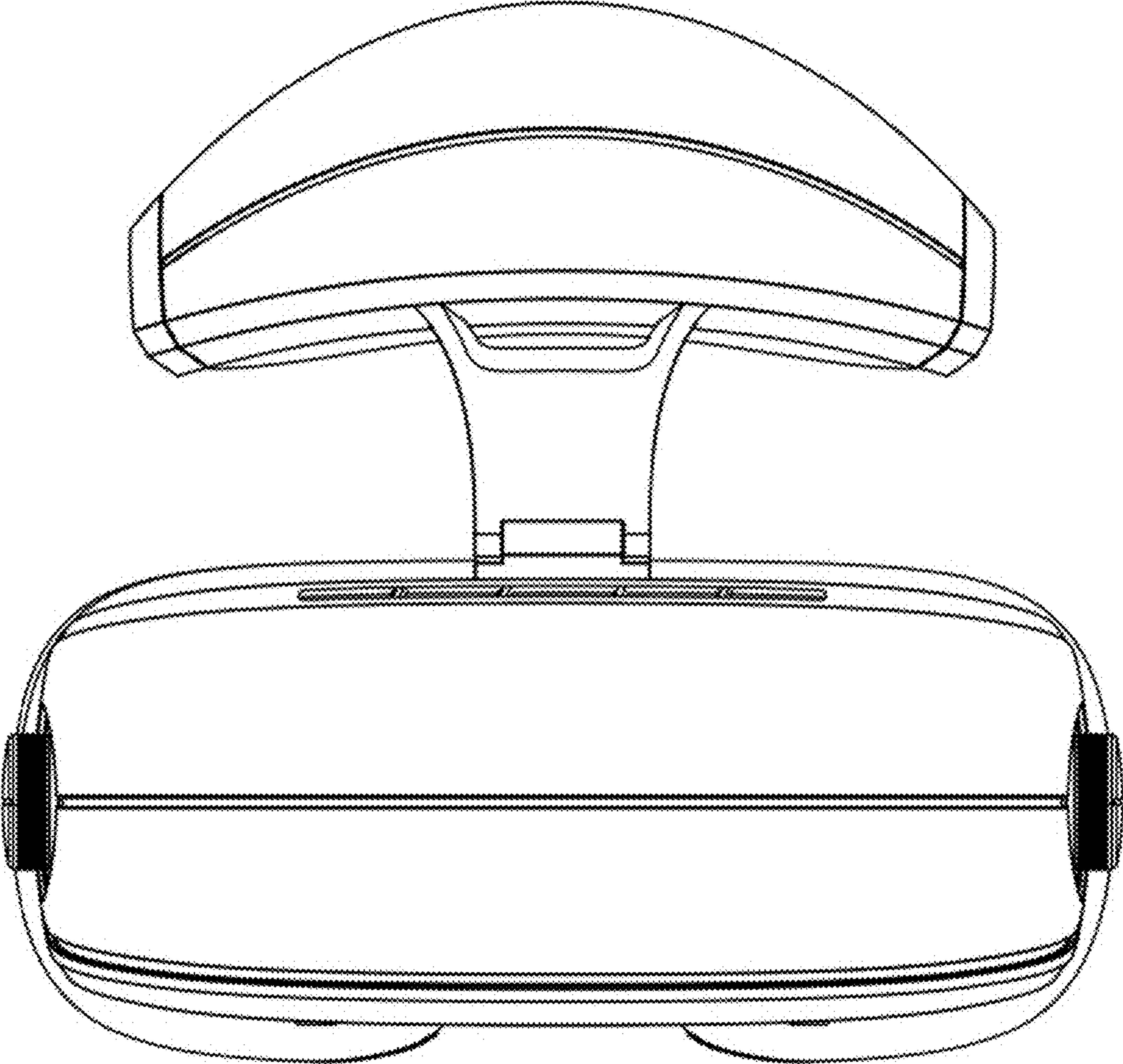
**1 Claim, 10 Drawing Sheets**



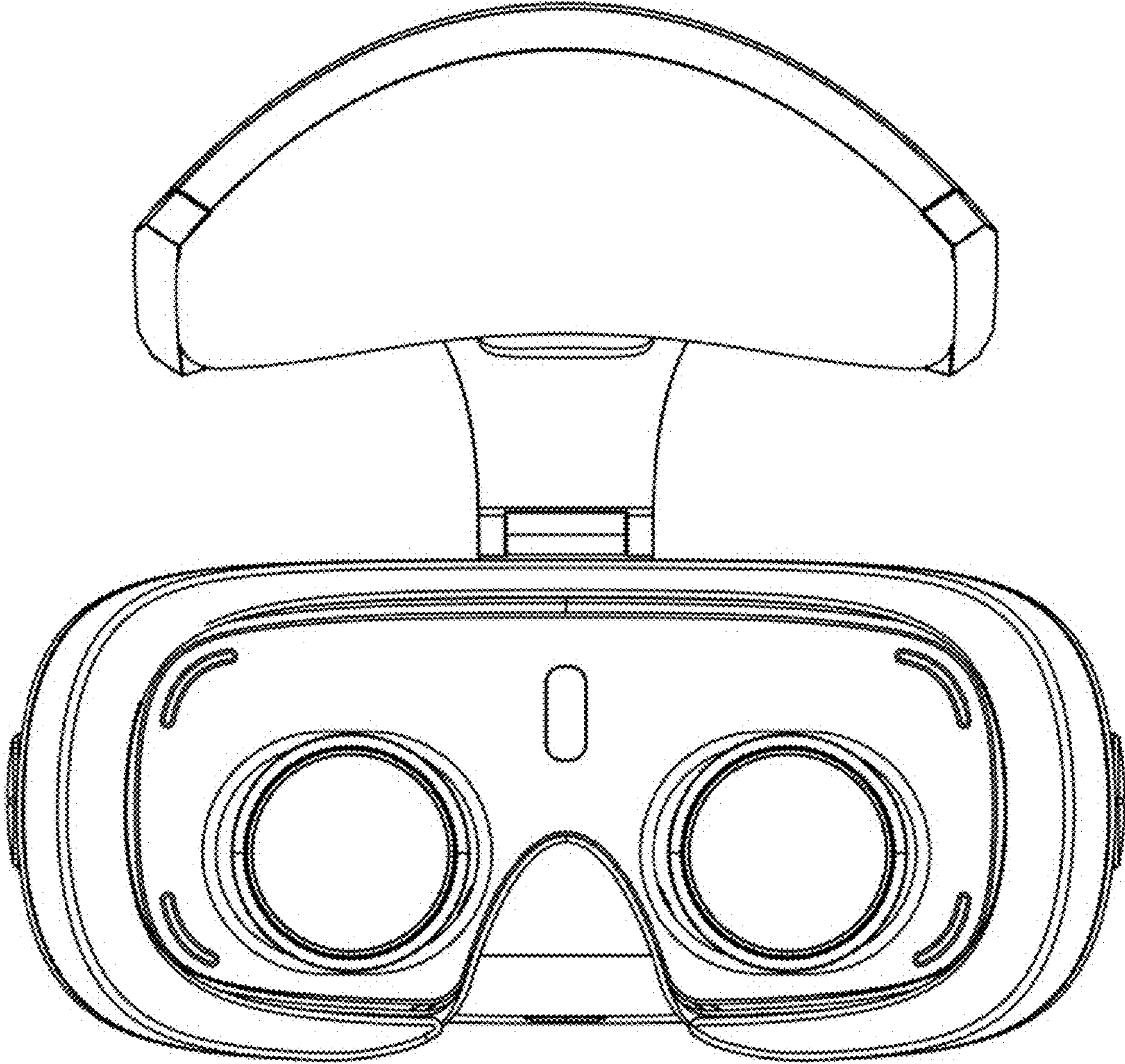
**1.1**



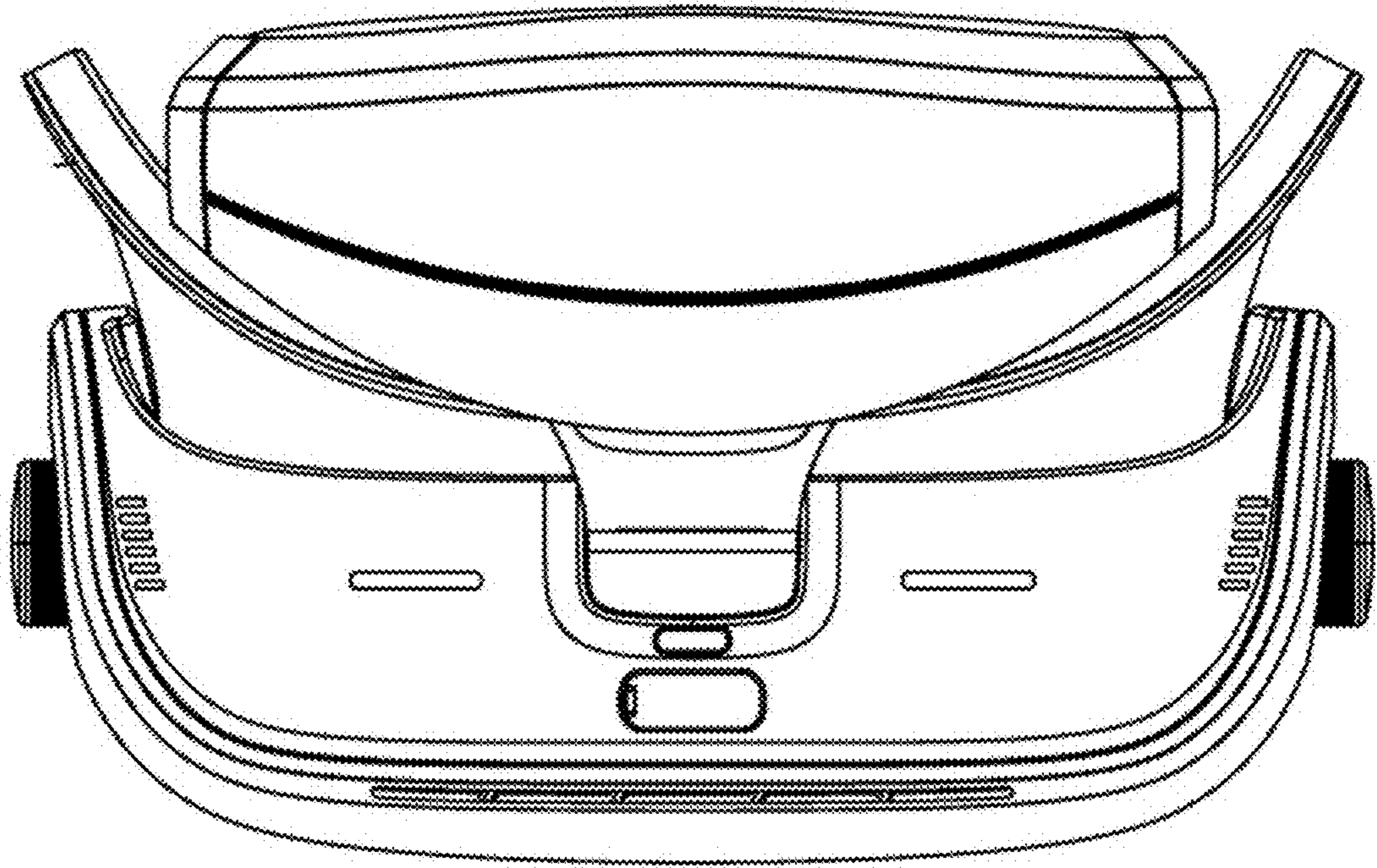
1.2



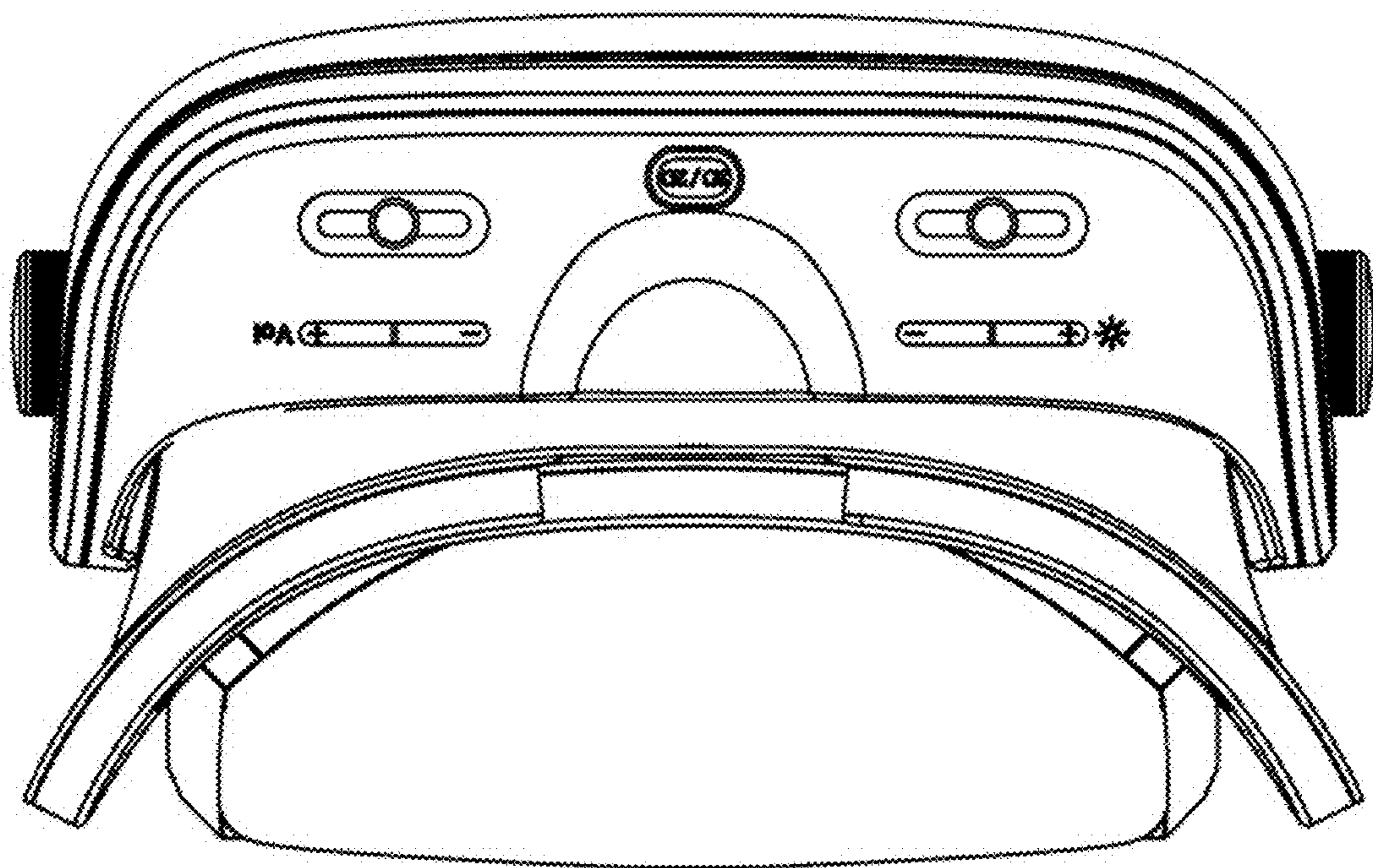
1.3



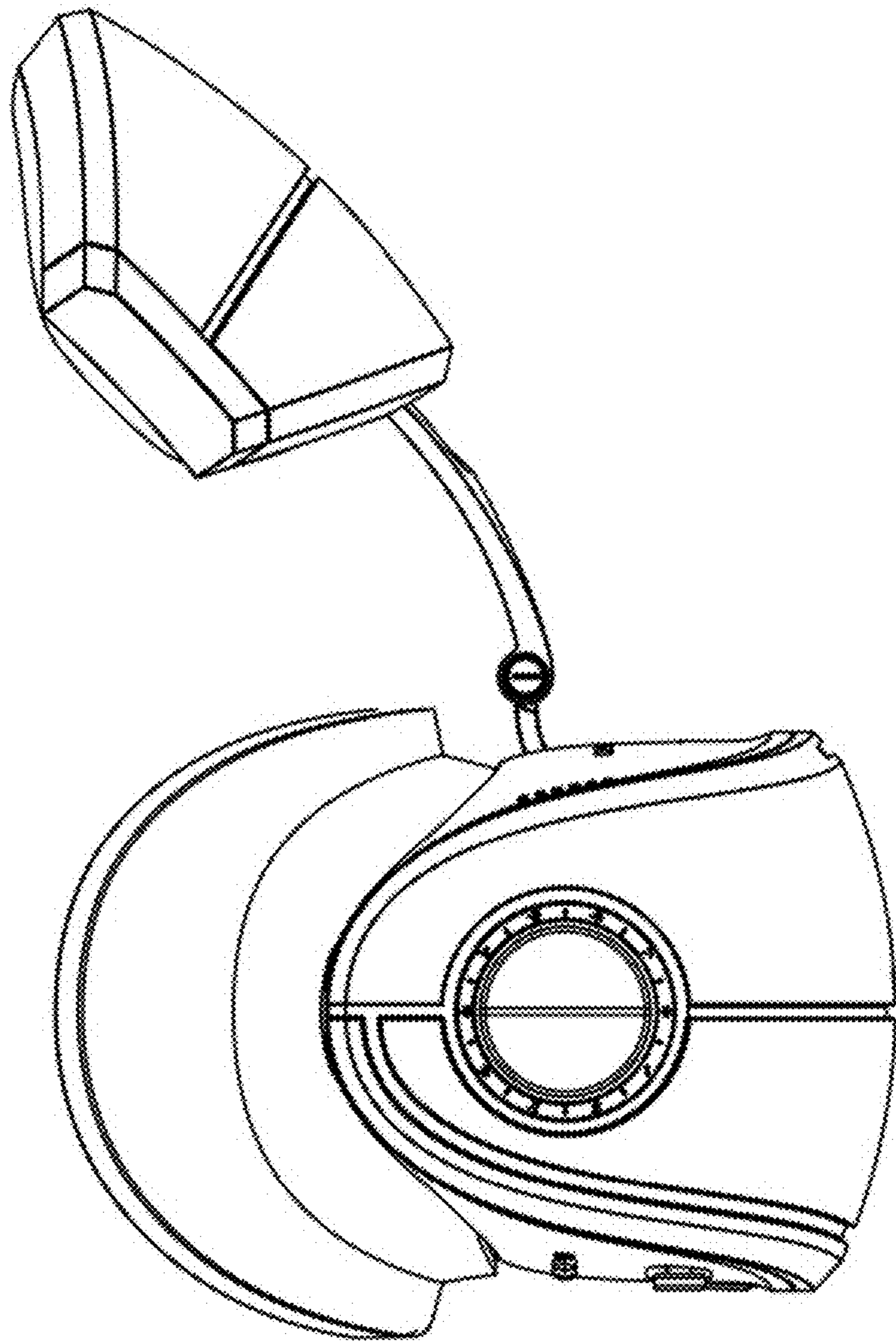
1.4



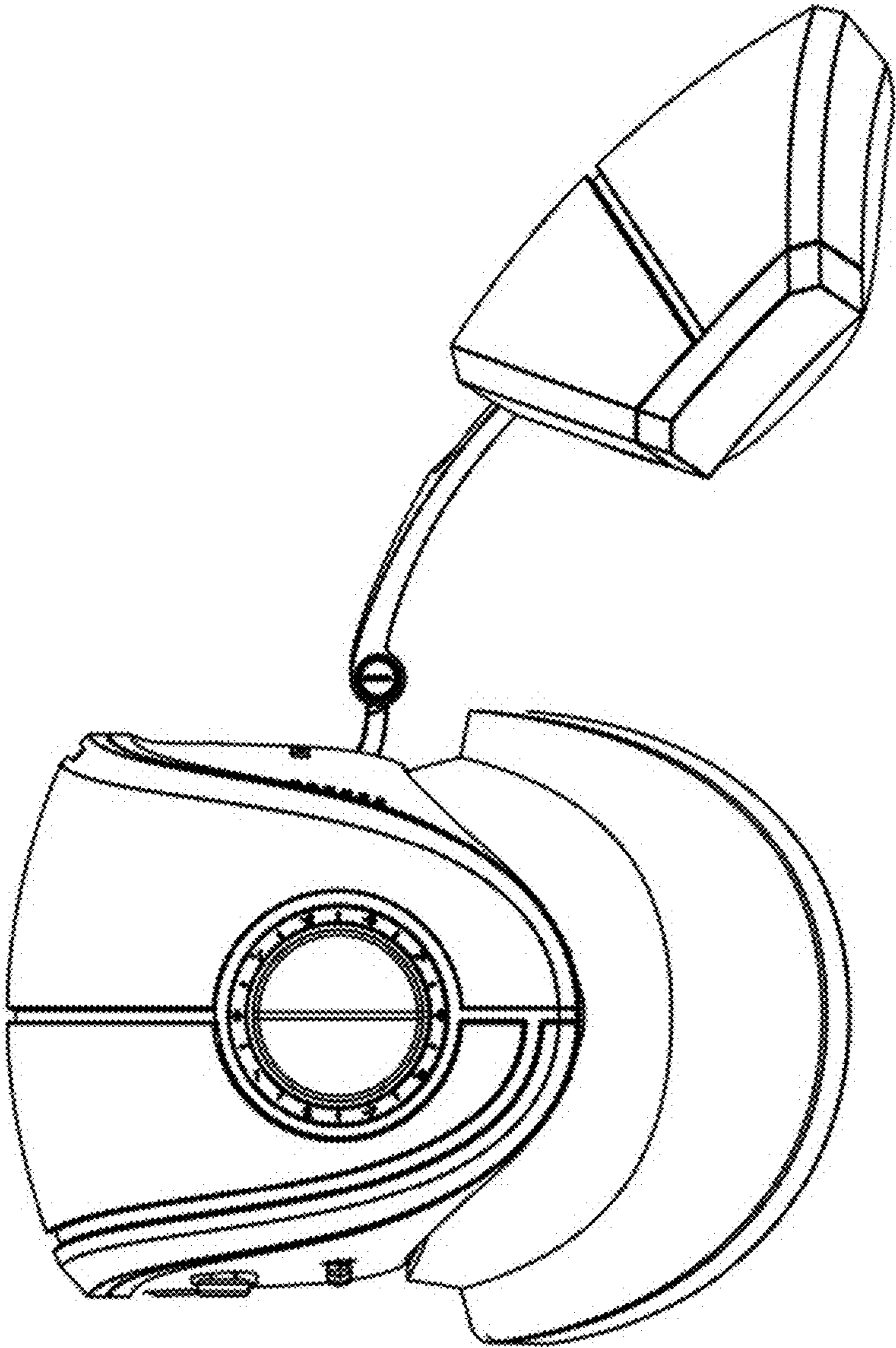
1.5



1.6

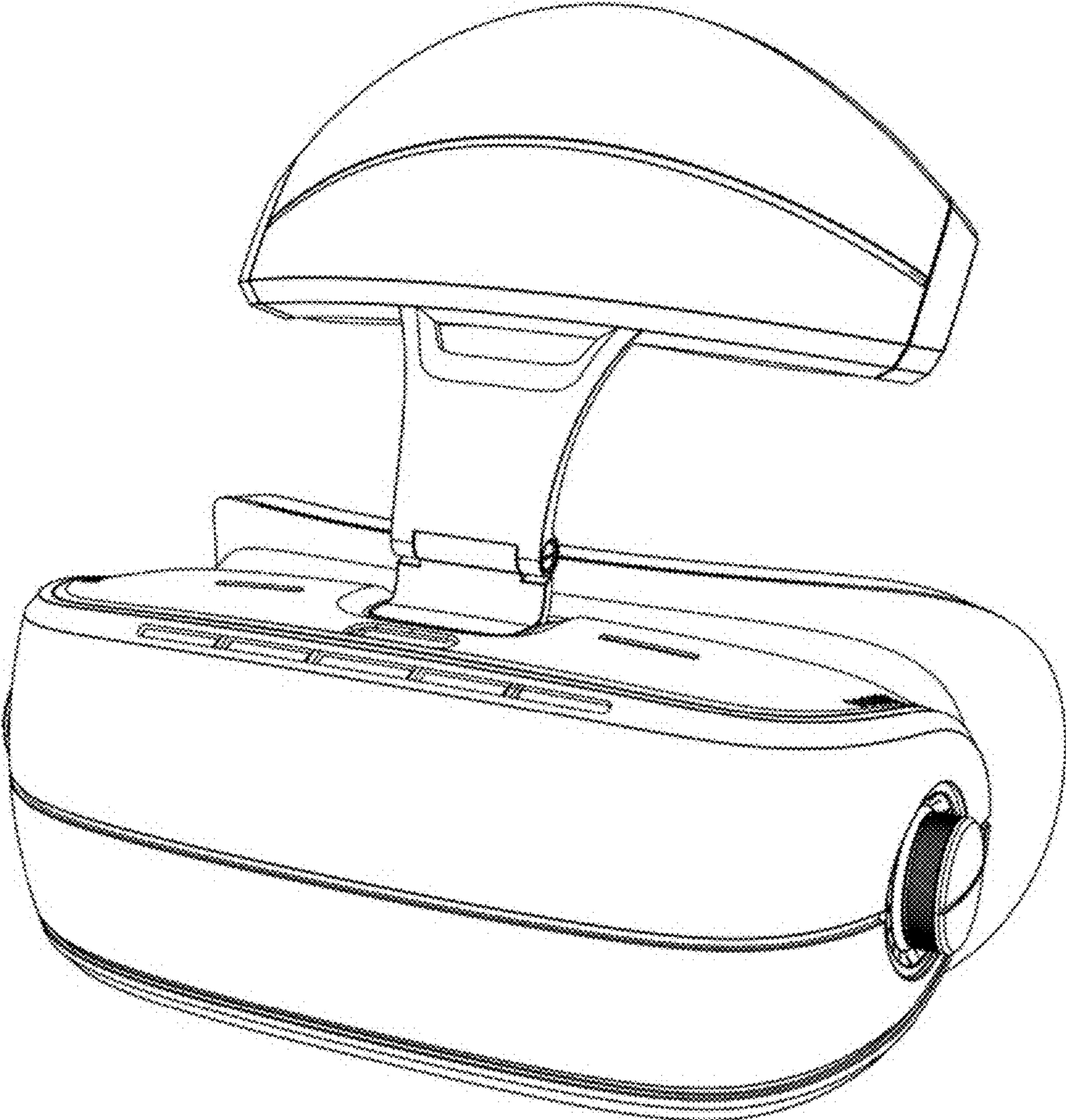


1.7

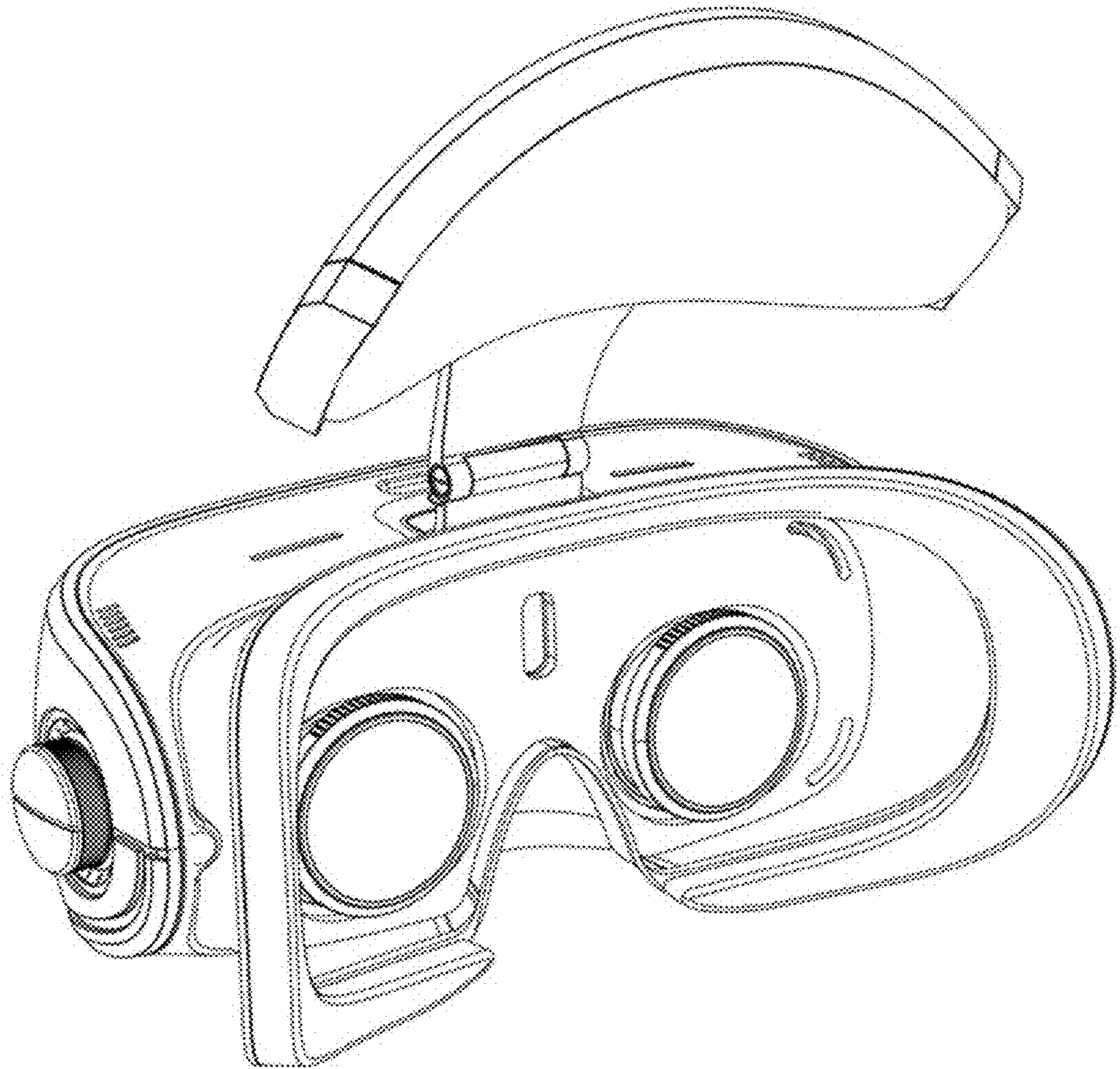




1.8



1.9



1.10

