



US00D976901S

(12) **United States Design Patent**
Huajun et al.

(10) **Patent No.:** **US D976,901 S**

(45) **Date of Patent:** **** Jan. 31, 2023**

(54) **HEADMOUNTED DISPLAY**

(71) Applicant: **Shenzhen NED Optics Co., Ltd.**,
Shenzhen (CN)

(72) Inventors: **Peng Huajun**, Guangdong Province
(CN); **Liu Donghua**, Guangdong
Province (CN)

(**) Term: **15 Years**

(21) Appl. No.: **35/514,614**

(22) Filed: **Jun. 17, 2022**

(80) **Hague Agreement Data**

Int. Filing Date: **Jun. 17, 2022**

Int. Reg. No.: **DM/221631**

Int. Reg. Date: **Jun. 17, 2022**

Int. Reg. Pub. Date: **Jul. 1, 2022**

(30) **Foreign Application Priority Data**

Dec. 28, 2021 (CN) 202130867614.0

(51) **LOC (14) Cl.** **14-02**

(52) **U.S. Cl.**
USPC **D14/372**

(58) **Field of Classification Search**

USPC D14/372, 496, 432, 371, 125, 126, 129,
D14/299; D16/300-342; 351/158, 153,
351/144; 345/7-9, 905; 455/344;
348/115, 53, 121, 739

CPC G02B 27/017; G02B 27/0158; G02B
27/0161; G02B 27/0181; G02B 27/0185;
G02B 27/0189

See application file for complete search history.

(56) **References Cited**

U.S. PATENT DOCUMENTS

D363,482 S *	10/1995	Robinson	D14/372
D764,467 S *	8/2016	Nokuo	D14/372
D778,909 S *	2/2017	Nokuo	D14/372
D800,117 S *	10/2017	Yee	D14/372
D800,726 S *	10/2017	Su	D14/372
D807,356 S *	1/2018	Chou	D14/372
D839,269 S *	1/2019	Wang	D14/372
D862,469 S *	10/2019	Sadot	D14/372
D875,093 S *	2/2020	Park	D14/372
D882,568 S *	4/2020	Park	D14/372
D910,013 S *	2/2021	Amijo	D14/372
D918,203 S *	5/2021	Chen	D14/372

* cited by examiner

Primary Examiner — Austin Murphy

(57) **CLAIM**

The ornamental design for a head-mounted display, as shown and described.

DESCRIPTION

1. Head-mounted display

1.1 : Perspective

1.2 : Front

1.3 : Back

1.4 : Top

1.5 : Bottom

1.6 : Left

1.7 : Right

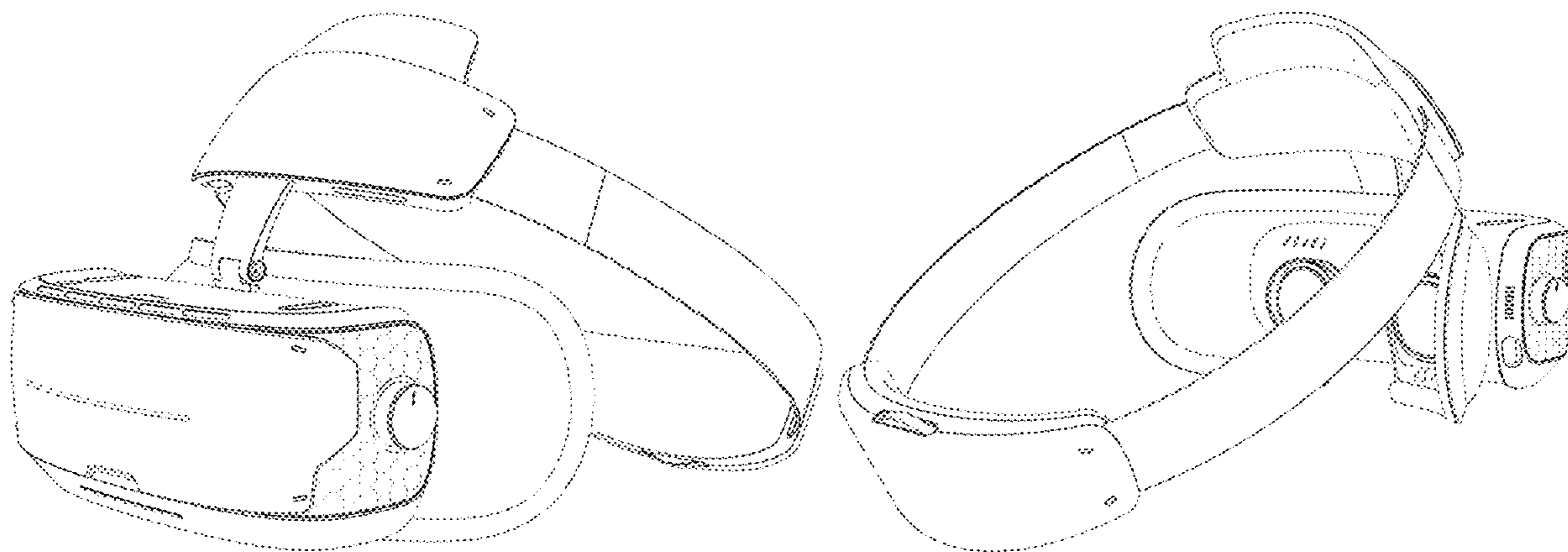
1.8 : Perspective

1.9 : Perspective

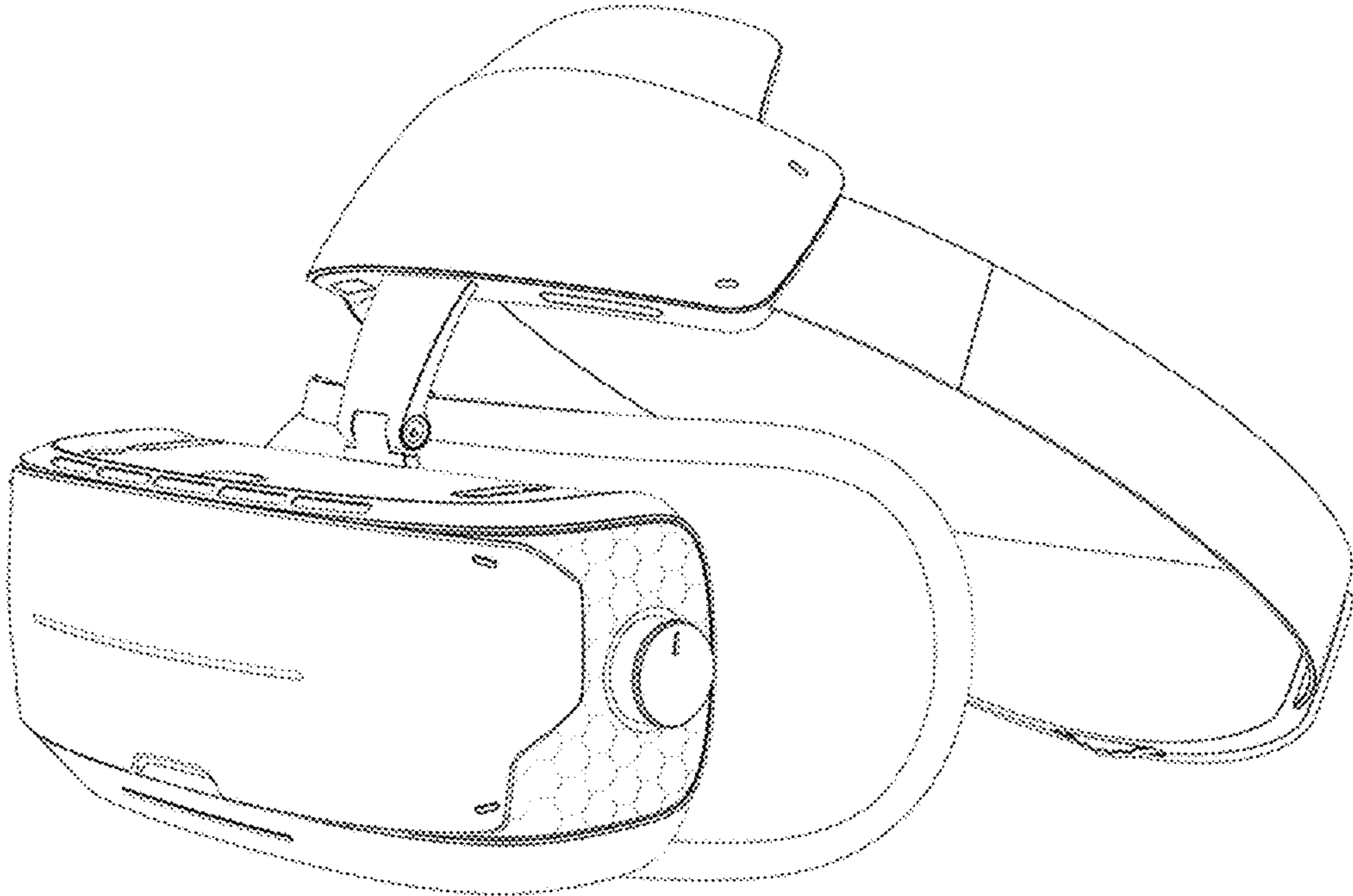
1.10 : other type

Image and video display equipment.

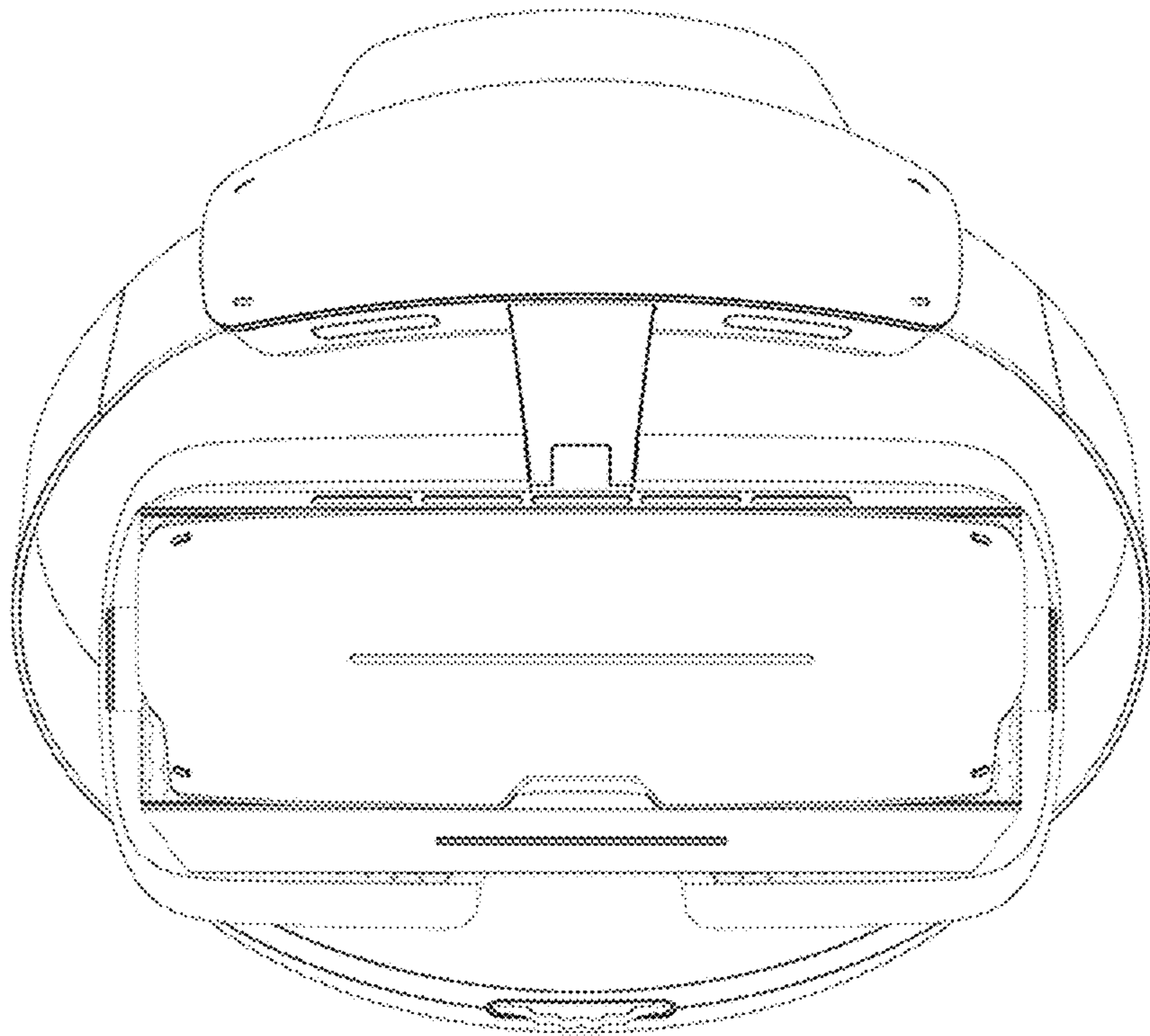
1 Claim, 10 Drawing Sheets



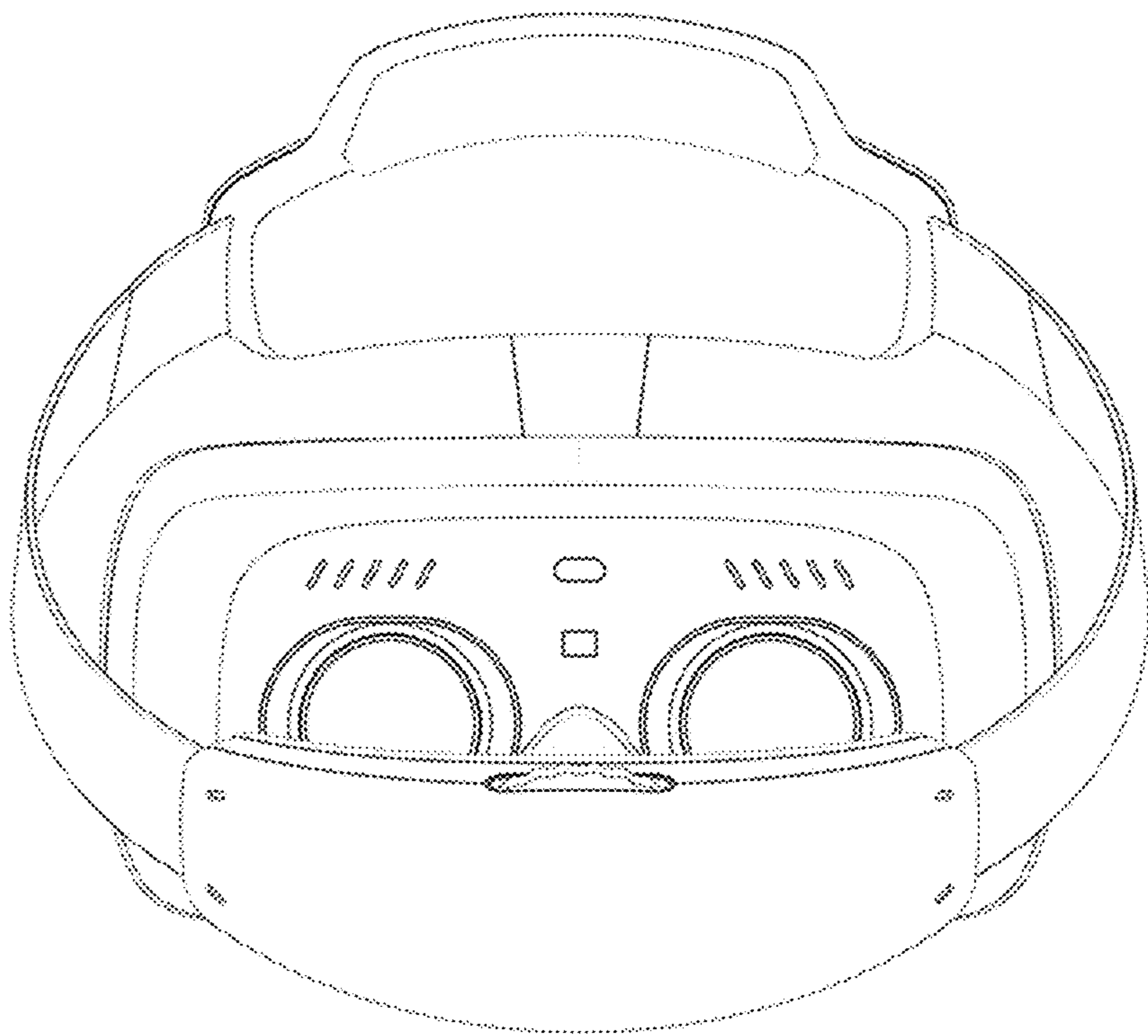
1.1



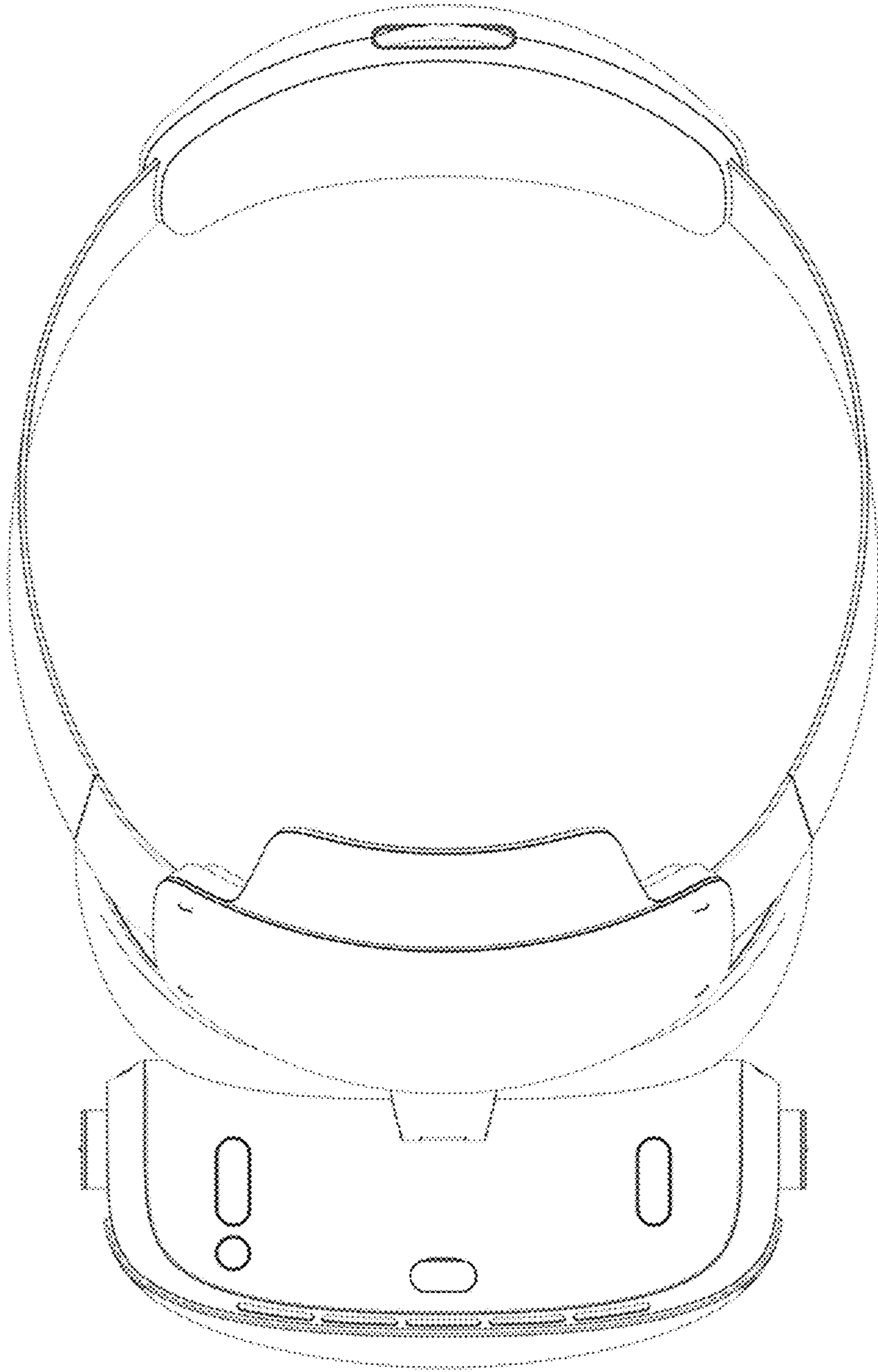
1.2



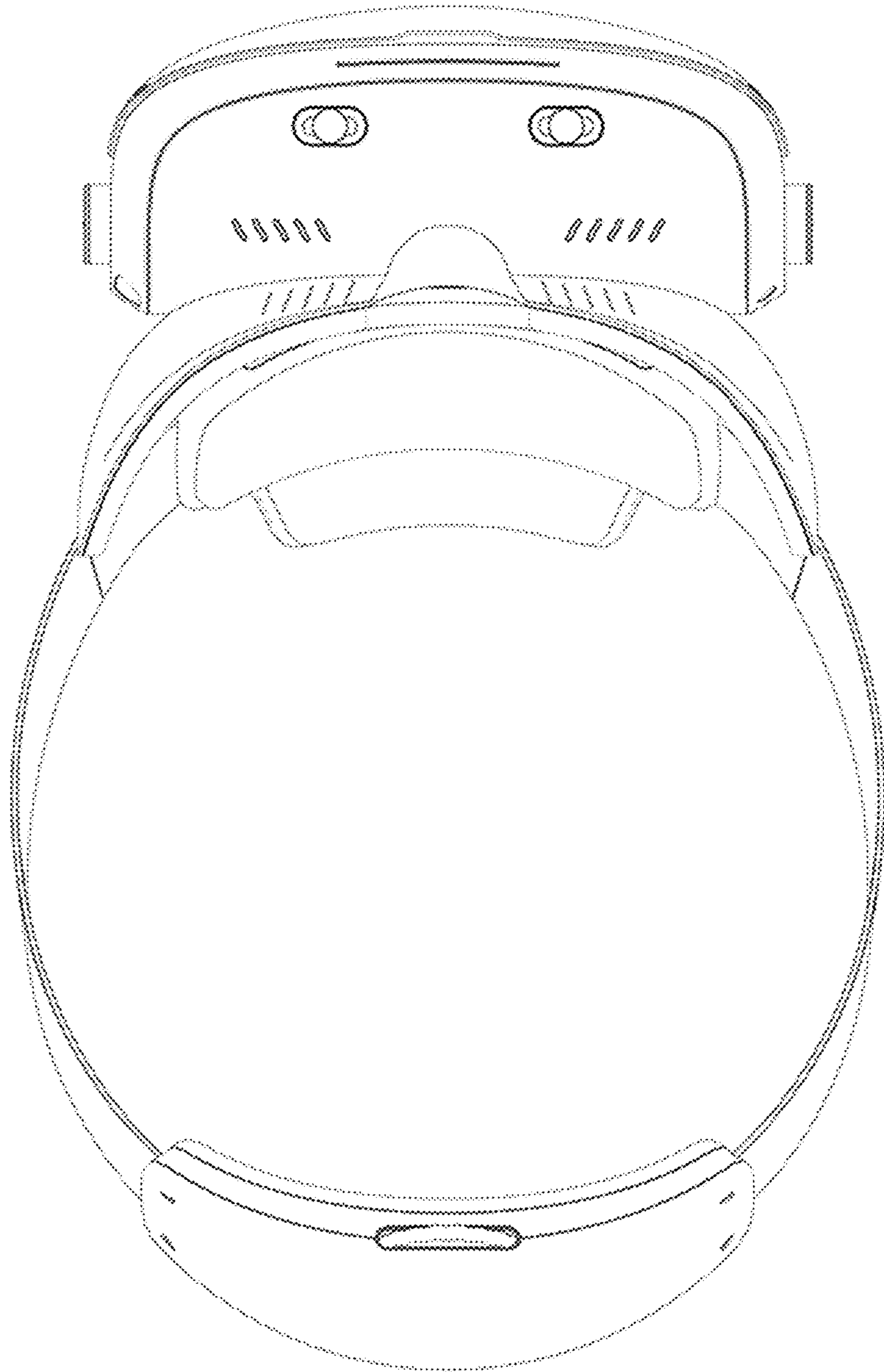
1.3



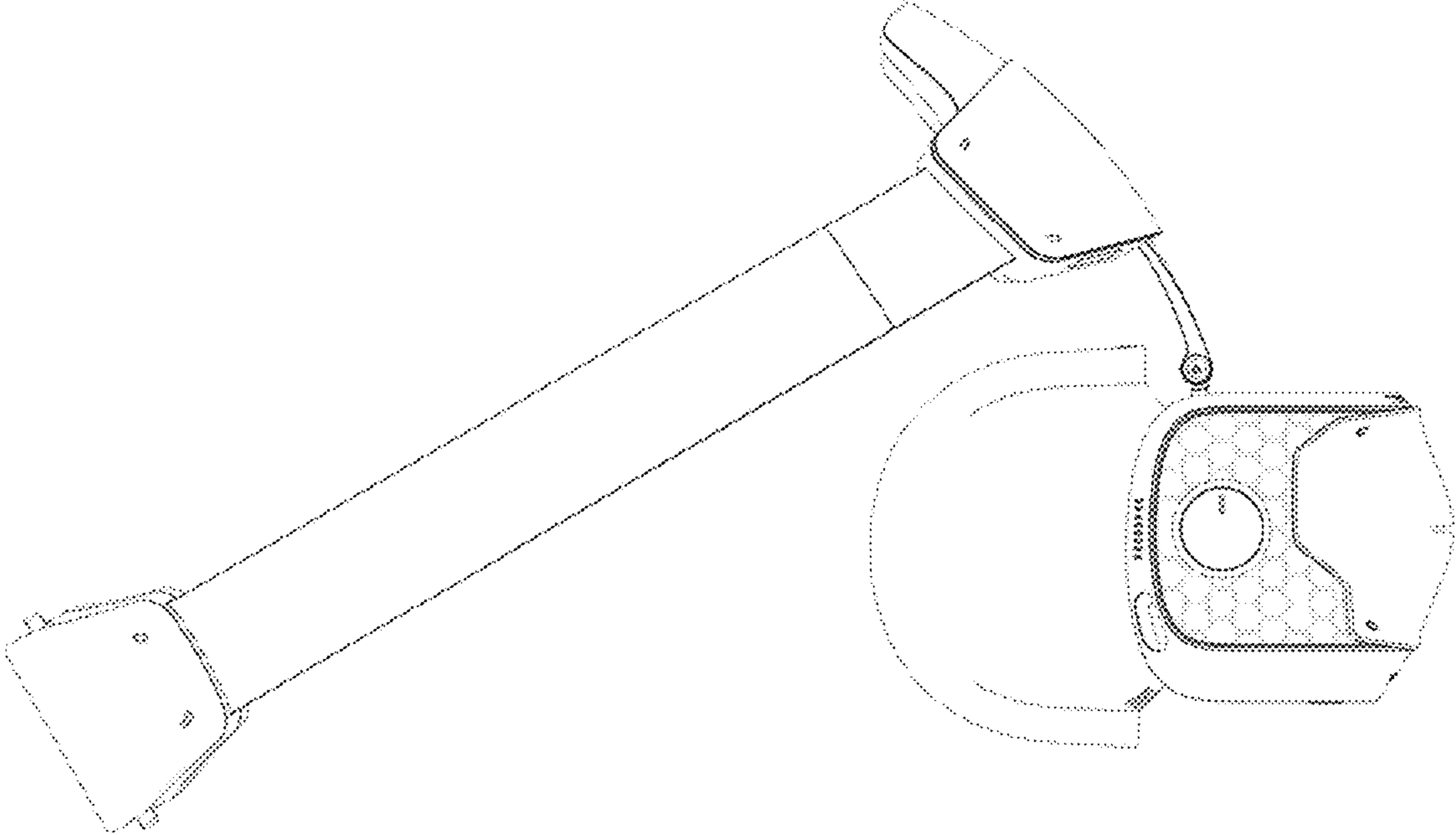
1.4



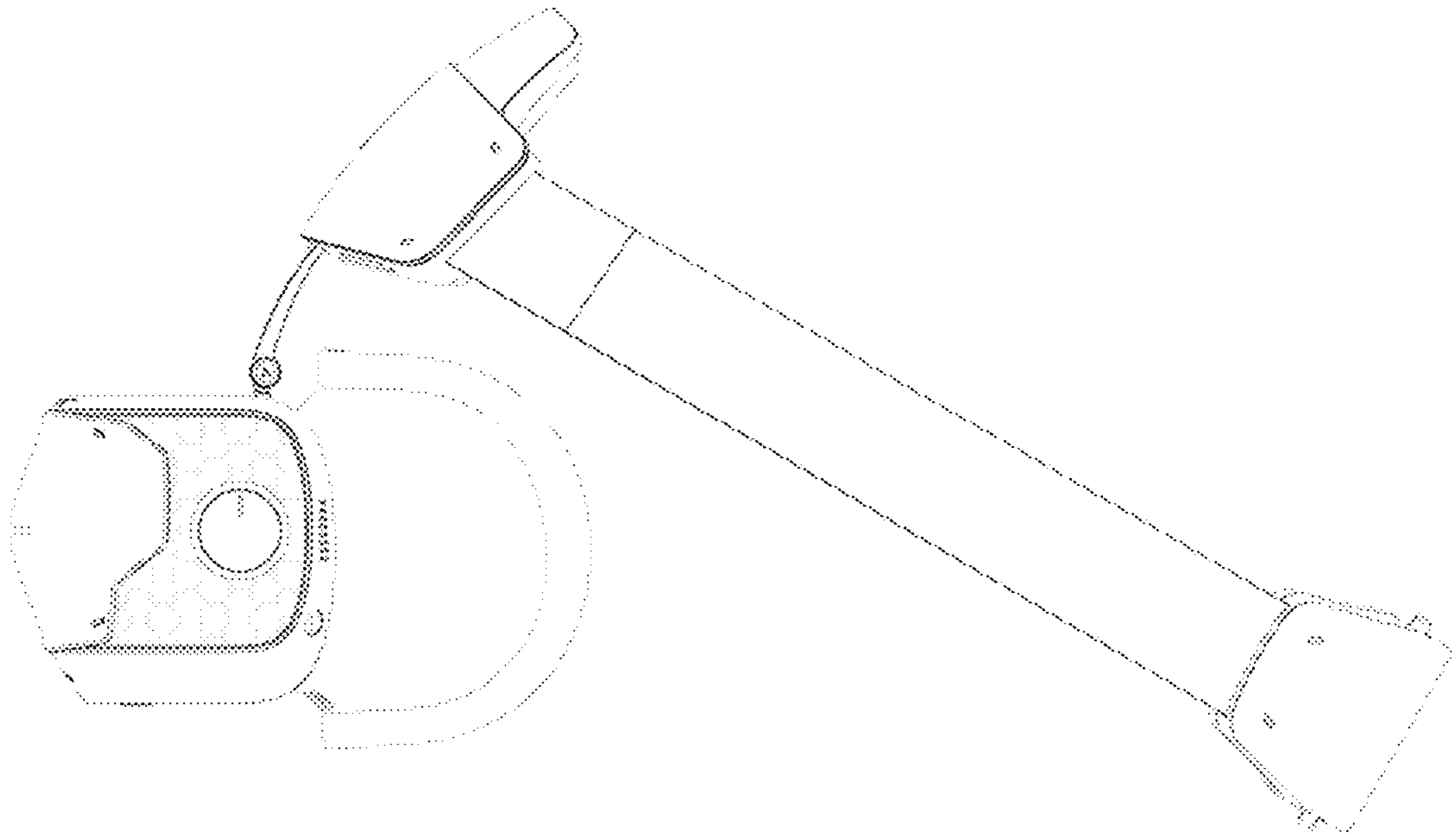
1.5



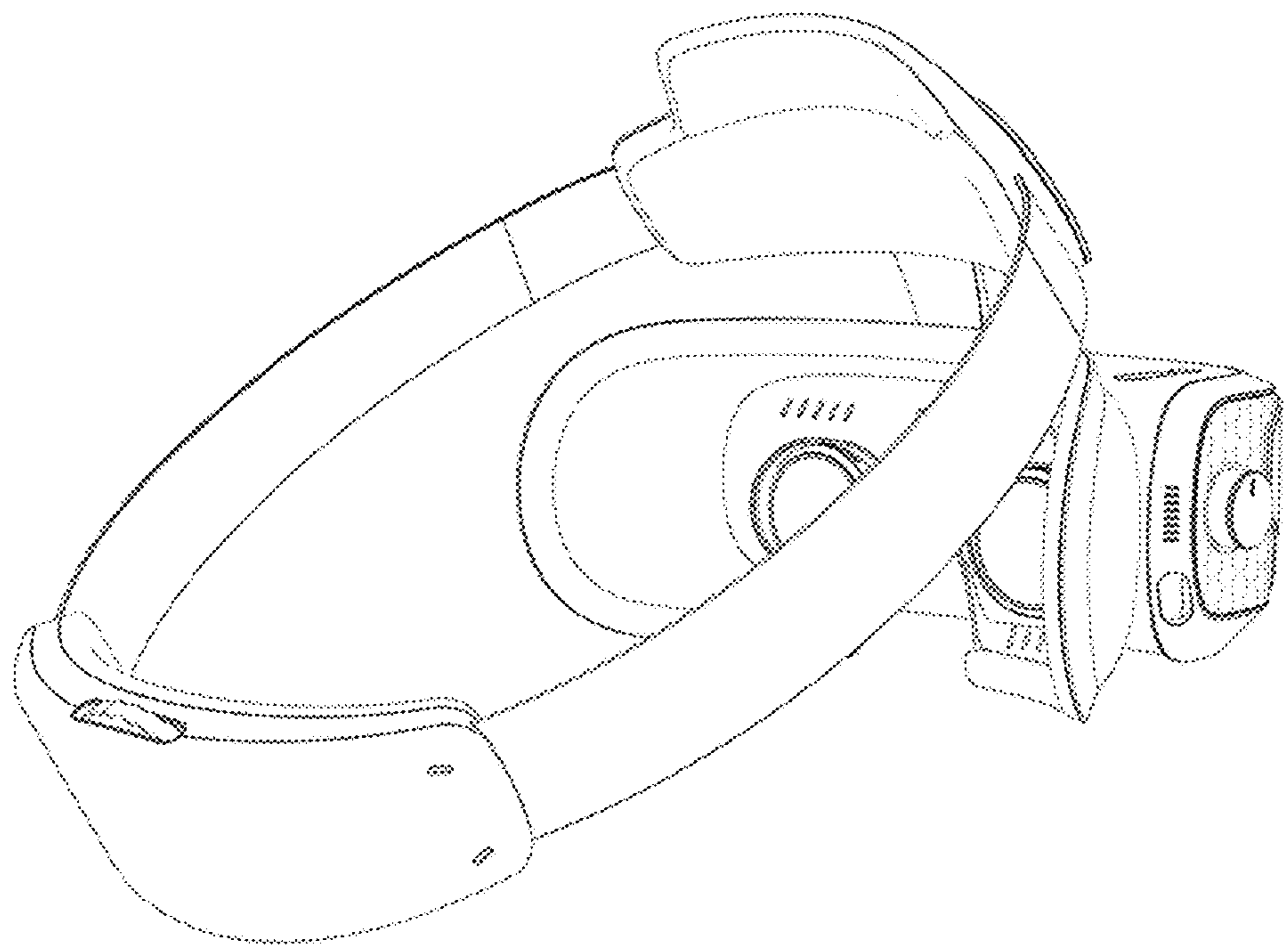
1.6



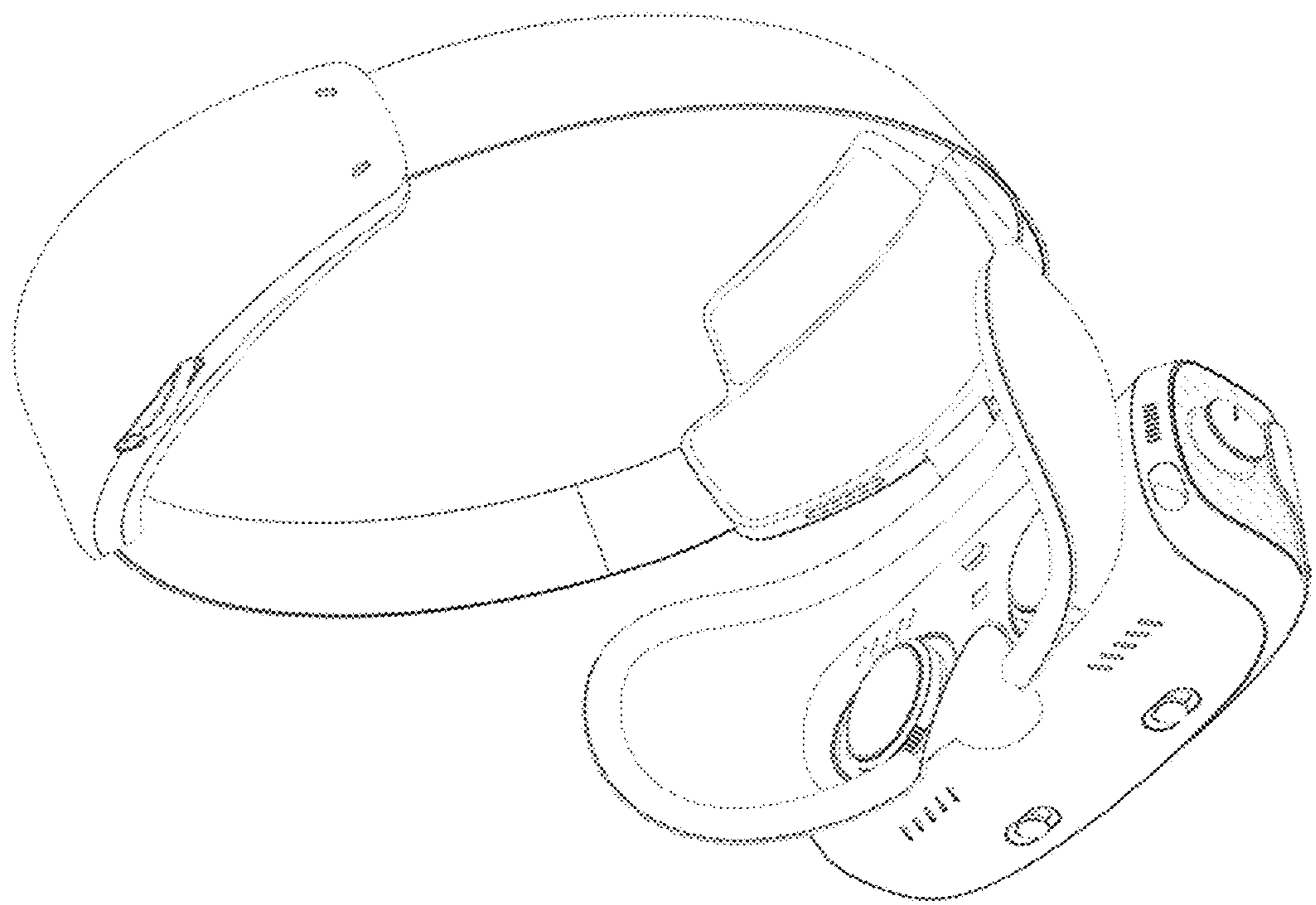
1.7



1.8



1.9



1.10

