



US00D976900S

(12) **United States Design Patent**
Escolin et al.

(10) **Patent No.:** **US D976,900 S**

(45) **Date of Patent:** **** Jan. 31, 2023**

(54) **COMPUTING DEVICE**

(71) Applicant: **Microsoft Corporation**, Redmond, WA (US)

(72) Inventors: **Timothy G. Escolin**, Seattle, WA (US);
Young Soo Kim, Bellevue, WA (US);
Scott Schenone, Seattle, WA (US);
Panos Costa Panay, Redmond, WA (US); **Ralf Groene**, Kirkland, WA (US);
Byungkwan Min, Kirkland, WA (US)

(73) Assignee: **Microsoft Corporation**, Redmond, WA (US)

(**) Term: **15 Years**

(21) Appl. No.: **29/707,907**

(22) Filed: **Oct. 1, 2019**

(51) **LOC (14) Cl.** **14-02**

(52) **U.S. Cl.**
USPC **D14/345**

(58) **Field of Classification Search**
USPC D14/341-347, 138 R, 203.3, 203.4;
D21/330
CPC .. H04M 1/027; H04M 1/0202; H04M 1/0279;
H04M 1/0235; H04M 1/0237; H04M
1/0239; H04M 1/0266; H04M 1/0268;
H04M 1/0295; G06F 1/1641; G06F
1/1647; G06F 1/1652
See application file for complete search history.

(56) **References Cited**

U.S. PATENT DOCUMENTS

D378,686 S	4/1997	Proctor et al.
D454,871 S	3/2002	Perez
D477,014 S	7/2003	Clarkson
D499,095 S	11/2004	Balarezo
D517,545 S	3/2006	Bucket et al.
D584,726 S	1/2009	Morita

D588,126 S	3/2009	Chiang et al.
D618,683 S	6/2010	Wilson et al.
D634,317 S	3/2011	Buckle et al.
D634,318 S	3/2011	Buckle et al.

(Continued)

FOREIGN PATENT DOCUMENTS

CA	178227	6/2018
CA	194207 S	11/2021

(Continued)

OTHER PUBLICATIONS

Lunark, first available Aug. 26, 2015 [online], [retrieved Apr. 15, 2022]. Available from the Internet, URL:<<https://www.concept-phones.com/cool-concepts/lunark-dual-folding-smartphone-special-hinge-included/>>. (Year: 2015).*

(Continued)

Primary Examiner — Dana K Weiland

Assistant Examiner — Russell Carnell Smith, Jr.

(74) *Attorney, Agent, or Firm* — Banner & Witcoff, Ltd.

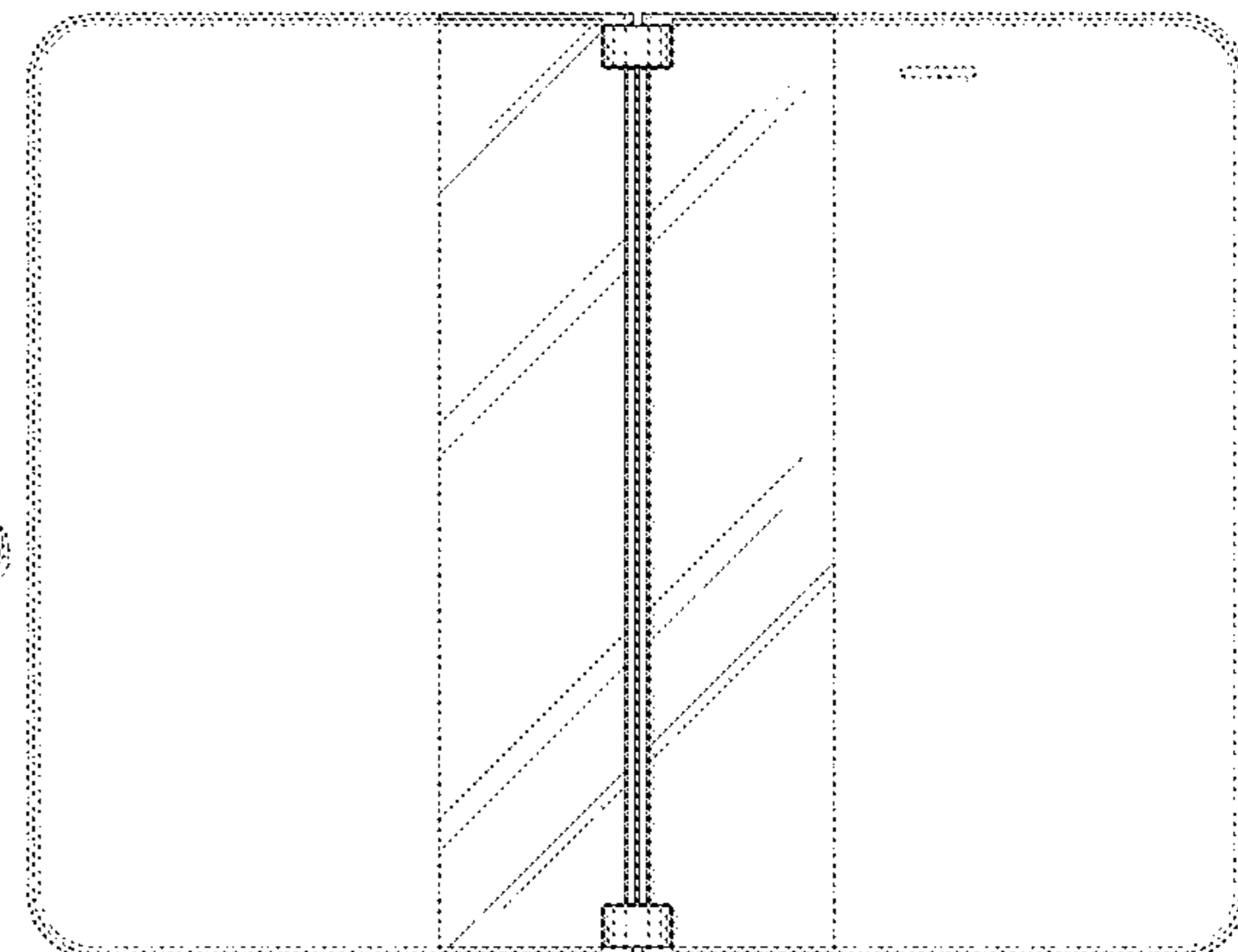
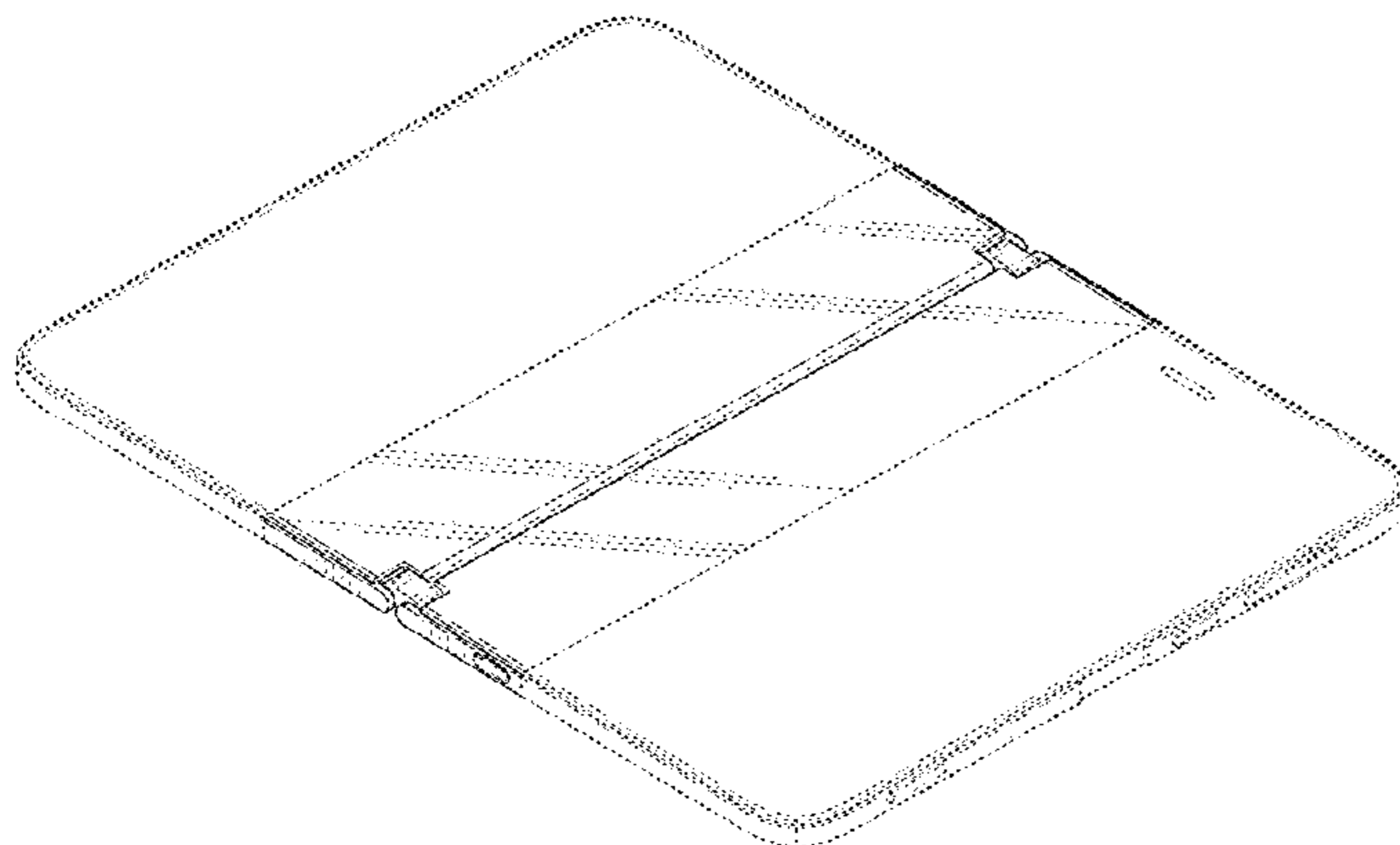
(57) **CLAIM**

The ornamental design for a computing device, as shown and described.

DESCRIPTION

FIG. 1 is a perspective view of a computing device showing our new design;
FIG. 2 is a front view thereof;
FIG. 3 is a rear view thereof;
FIG. 4 is a left side view thereof;
FIG. 5 is a right side view thereof;
FIG. 6 is a top view thereof; and,
FIG. 7 is a bottom view thereof.
The broken lines depicting the remainder of the computing device in FIGS. 1-7 show features that form no part of the claimed design.

1 Claim, 5 Drawing Sheets



(56)

References Cited

U.S. PATENT DOCUMENTS

D638,833 S 5/2011 Chuang
 D650,781 S 12/2011 Rashid et al.
 D677,660 S 3/2013 Groene et al.
 D705,776 S 5/2014 Groene et al.
 D705,777 S 5/2014 Groene et al.
 D708,610 S 7/2014 Ahn et al.
 D709,493 S 7/2014 Ahn et al.
 D713,403 S 9/2014 Groene et al.
 D717,806 S 11/2014 Yum et al.
 D719,540 S 12/2014 Lee et al.
 D719,541 S 12/2014 Lee et al.
 D719,542 S 12/2014 Lee et al.
 D728,583 S 5/2015 Choi et al.
 D729,816 S 5/2015 Park et al.
 D730,363 S 5/2015 Park et al.
 D730,915 S 6/2015 Lee et al.
 D734,757 S 7/2015 Myung et al.
 D740,296 S 10/2015 Itano et al.
 D742,873 S 11/2015 Ahn et al.
 D743,959 S 11/2015 Landwehr
 D745,869 S 12/2015 Ahn et al.
 D749,571 S 2/2016 Park et al.
 D749,572 S * 2/2016 Park D14/345
 D749,574 S 2/2016 Park et al.
 D750,079 S 2/2016 Chen et al.
 D750,081 S 2/2016 Jeong et al.
 D750,095 S 2/2016 Jeong et al.
 D750,629 S 3/2016 Kim et al.
 D751,077 S 3/2016 Park et al.
 D753,648 S 4/2016 Shyu et al.
 D754,660 S 4/2016 Kim et al.
 D761,254 S * 7/2016 Yamazaki D14/341
 D768,624 S 10/2016 Bae et al.
 D770,433 S 11/2016 Kangasmaa et al.
 D775,130 S 12/2016 Otani
 D775,598 S 1/2017 Kim et al.
 D776,108 S 1/2017 Hsu
 D779,481 S 2/2017 Jun et al.
 D783,608 S * 4/2017 Park D14/203.4
 D786,210 S 5/2017 Lee
 D787,517 S 5/2017 Chou et al.
 D788,773 S * 6/2017 Seo D14/345
 D788,774 S * 6/2017 Seo D14/345
 D789,942 S 6/2017 Bailey et al.
 D790,533 S 6/2017 Matsuoka
 D790,554 S 6/2017 Bailey et al.
 D790,555 S 6/2017 Bailey et al.
 D791,725 S 7/2017 Lee
 D791,780 S 7/2017 Bailey et al.
 D799,485 S 10/2017 Kim et al.
 D799,495 S 10/2017 Bailey et al.
 D799,496 S 10/2017 Bailey et al.
 D800,112 S 10/2017 Park et al.
 D814,455 S 4/2018 Kwon
 D815,644 S 4/2018 Nakajima et al.
 D816,079 S * 4/2018 Yamazaki D14/341
 D819,628 S * 6/2018 Park D14/248
 D819,639 S 6/2018 Raken et al.
 D823,850 S 7/2018 Lim et al.
 D825,518 S 8/2018 Kikuchi
 D827,604 S 9/2018 Seo et al.
 D833,429 S 11/2018 Groene et al.
 D833,431 S 11/2018 Bae et al.
 D834,009 S * 11/2018 Itou D14/248
 D840,393 S * 2/2019 Kim D14/345
 D840,394 S 2/2019 Son et al.
 D841,646 S 2/2019 Son et al.
 D842,833 S 3/2019 Seo et al.
 D842,834 S 3/2019 Seo et al.
 D844,601 S 4/2019 Yamazaki et al.
 D844,602 S 4/2019 Yamazaki et al.
 D847,134 S 4/2019 Yamazaki et al.
 D873,817 S 1/2020 Raken et al.
 D875,091 S 2/2020 Kwon
 D891,426 S 7/2020 Nguyen

D898,737 S 10/2020 Chen
 D901,426 S * 11/2020 Lee D14/138 AD
 D901,495 S 11/2020 Lee
 D909,370 S 2/2021 Jones et al.
 D910,009 S 2/2021 Wu et al.
 D910,620 S 2/2021 Lee
 D910,622 S 2/2021 Lee
 D915,335 S 4/2021 Lee et al.
 D915,336 S 4/2021 Lee et al.
 D915,337 S 4/2021 Lee et al.
 10,973,144 B2 4/2021 Lee et al.
 D920,973 S 6/2021 Lee
 D926,183 S 7/2021 Lim
 D928,778 S 8/2021 DeMaio
 D933,068 S 10/2021 Raken et al.
 D934,855 S 11/2021 Hallar et al.
 D941,811 S 1/2022 Lam et al.
 D947,844 S 4/2022 Lee
 2015/0160698 A1 * 6/2015 Tsukamoto G06F 3/1423
 345/1.3
 2019/0339738 A1 * 11/2019 Hou G06F 1/1615
 2021/0096654 A1 4/2021 Oiu et al.
 2021/0173438 A1 6/2021 Lee et al.
 2021/0349545 A1 11/2021 Liang et al.

FOREIGN PATENT DOCUMENTS

CA 194210 S 11/2021
 CA 194214 S 11/2021
 CA 194218 S 11/2021
 CN 301095198 12/2009
 CN 303710822 6/2016
 CN 304952159 * 12/2018
 CN 305109462 * 4/2019
 CN 305297344 * 8/2019
 CN 305307416 * 8/2019
 JP 1392438 S 7/2010
 JP HA2300291900 5/2011
 JP HC2300739500 9/2011
 JP 1469199 S 5/2013
 JP 1492956 S 3/2014
 JP 1569358 S 2/2017
 JP 1572767 S 4/2017
 KR 30-0608375 8/2011
 KR 30-0689166 4/2013
 KR 300784249.0000 2/2015
 KR 300808191.0000 7/2015
 KR 30-0838107 2/2019
 KR 300838109.0000 2/2019
 KR 301095198.0000 2/2021
 WO 203816 5/2019
 WO D207277-002 10/2020

OTHER PUBLICATIONS

Microsoft Surface Duo, first available May 11, 2021 [online], [retrieved Apr. 15, 2022]. Available from the Internet, URL:<https://www.amazon.com/dp/B08M9BW43V/ref=cm_sw_em_r_mt_dp_BYD6ND659CMSRGHH41KG>. (Year: 2021).*

HUAWEI Mate X2, first available Feb. 25, 2021 [online], [retrieved Apr. 15, 2022]. Available from the Internet, URL:<https://www.gsmarena.com/huawei_mate_x2-pictures-10697.php>. (Year: 2021).*

ZTE Axon M, first available May 2, 2019 [online], [retrieved Apr. 15, 2022]. Available from the Internet, URL:<https://www.amazon.com/dp/B07FXGHY1C/ref=cm_sw_em_r_mt_dp_YYVH5A9Z50K175C67ZF8>. (Year: 2019).*

“Notice of Allowance Issued in Japanese Patent Application No. 2020-006797”, dated Feb. 16, 2021, 5 Pages.

“Office Action Issued in Japanese Patent Application No. 2020-006801”, dated Aug. 25, 2020, 7 Pages.

“Office Action Issued in Japanese Patent Application No. 2020-006802”, dated Aug. 25, 2020, 7 Pages.

“Office Action Issued in Japanese Patent Application No. 2020-006804”, dated Aug. 25, 2020, 7 Pages.

“Office Action Issued in Japanese Patent Application No. 2020-006805”, dated Aug. 25, 2020, 7 Pages.

(56)

References Cited

OTHER PUBLICATIONS

“Office Action Issued in Japanese Patent Application No. 2020-006803”, dated Aug. 25, 2020, 7 Pages.

“Office Action Issued in Japanese Patent application No. 2020-006806”, dated Aug. 25, 2020, 7 Pages.

U.S. Appl. No. 29/707,912, filed Oct. 1, 2019.

U.S. Appl. No. 29/707,904, filed Oct. 1, 2019.

U.S. Appl. No. 29/707,911, filed Oct. 1, 2019.

“Office Action Issued in Canadian Patent Application No. 194213”, dated Nov. 25, 2021, 1 Page.

“Office Action Issued in Canadian Patent Application No. 194208”, dated Nov. 30, 2021, 2 Pages.

“Office Action Issued in Canadian Patent Application No. 194220”, dated Nov. 25, 2021, 1 Page.

“Office Action Issued in Canadian Patent Application No. 194219”, dated Nov. 25, 2021, 1 Page.

“Notice of Allowance Issued in Japanese Patent Application No. 2020-006801”, dated Dec. 22, 2020, 6 Pages.

“Notice of Allowance Issued in Japanese Patent Application No. 2020-006802”, dated Dec. 22, 2020, 6 Pages.

“Notice of Allowance Issued in Japanese Patent Application No. 2020-006803”, dated Dec. 22, 2020, 6 Pages.

“Notice of Allowance Issued in Japanese Patent Application No. 2020-006804”, dated Dec. 22, 2020, 6 Pages.

“Notice of Allowance Issued in Japanese Patent Application No. 2020-006805”, dated Dec. 22, 2020, 6 Pages.

“Notice of Allowance Issued in Japanese Patent Application No. 2020-006806”, dated Dec. 22, 2020, 6 Pages.

“Notice of Allowance Issued in Japanese Patent Application No. 2020-006807”, dated Dec. 8, 2020, 6 Pages.

“Ex Parte Quayle Action Issued in U.S. Appl. No. 29/707,894”, dated Sep. 23, 2021, 9 Pages.

“Cover for Microsoft Surface Go, Moko, Amazon.com”, Retrieved From: https://www.amazon.com/dp/B07VRBB2XD/ref=as_li_ss_tl?%20Subscription%20Id=AKIAJ07E50LQ67NVPFZA&ascsubtag, Retrieved Date: Jul. 29, 2019, 13 Pages.

“Surface Pro X Signature Keyboard with Slim Pen Bundle”, Retrieved From: <https://www.microsoft.com/en-us/p/surface-pro-x-signature-keyboard-with-slim-pen-bundle/8n0kt2q6snrt?activetab=overview>, Retrieved Date: Dec. 15, 2020, 6 Pages.

Ex-parte Quayle Action Issued in U.S. Appl. No. 29/707,914, dated Mar. 30, 2022, 14 Pages.

“Folio Foldable Tablet Prototype”, Retrieved From «<https://tabletmonkeys.com/foldable-lenovo-folio-tablet-prototype-showcased/>», Jun. 10, 2016, 3 Pages.

“Surface Duo Folding Phone”, Retrieved From «<https://www.microsoft.com/en-us/d/surface-duo-2/9408kgxp4xjl?activetab=pivot:techspecstab>», Sep. 23, 2021, 10 Pages.

Burns, Chris, “Andromeda Folding Tablet”, Retrieved From «<https://www.slashgear.com/microsoft-andromeda-folding-tablet-would-be-an-android-dream-18512118>», Dec. 18, 2017, 6 Pages.

“Ex Parte Quayle Action Issued in U.S. Appl. No. 29/707,907”, dated Apr. 25, 2022, 7 Pages.

“Notice of Allowance Issued in U.S. Appl. No. 29/707,904”, dated Apr. 28, 2022, 10 Pages.

“Notice of Allowance Issued in U.S. Appl. No. 29/707,908”, dated May 4, 2022, 9 Pages.

“Non Final Office Action Issued in U.S. Appl. No. 29/707,911”, dated Apr. 25, 2022, 10 Pages.

“Non Final Office Action Issued in U.S. Appl. No. 29/707,912”, dated Apr. 25, 2022, 8 Pages.

“Notice of Allowance Issued in U.S. Appl. No. 29/707,916”, dated May 2, 2022, 9 Pages.

“Non Final Office Action Issued in U.S. Appl. No. 29/707,894”, dated Mar. 29, 2022, 14 Pages.

* cited by examiner

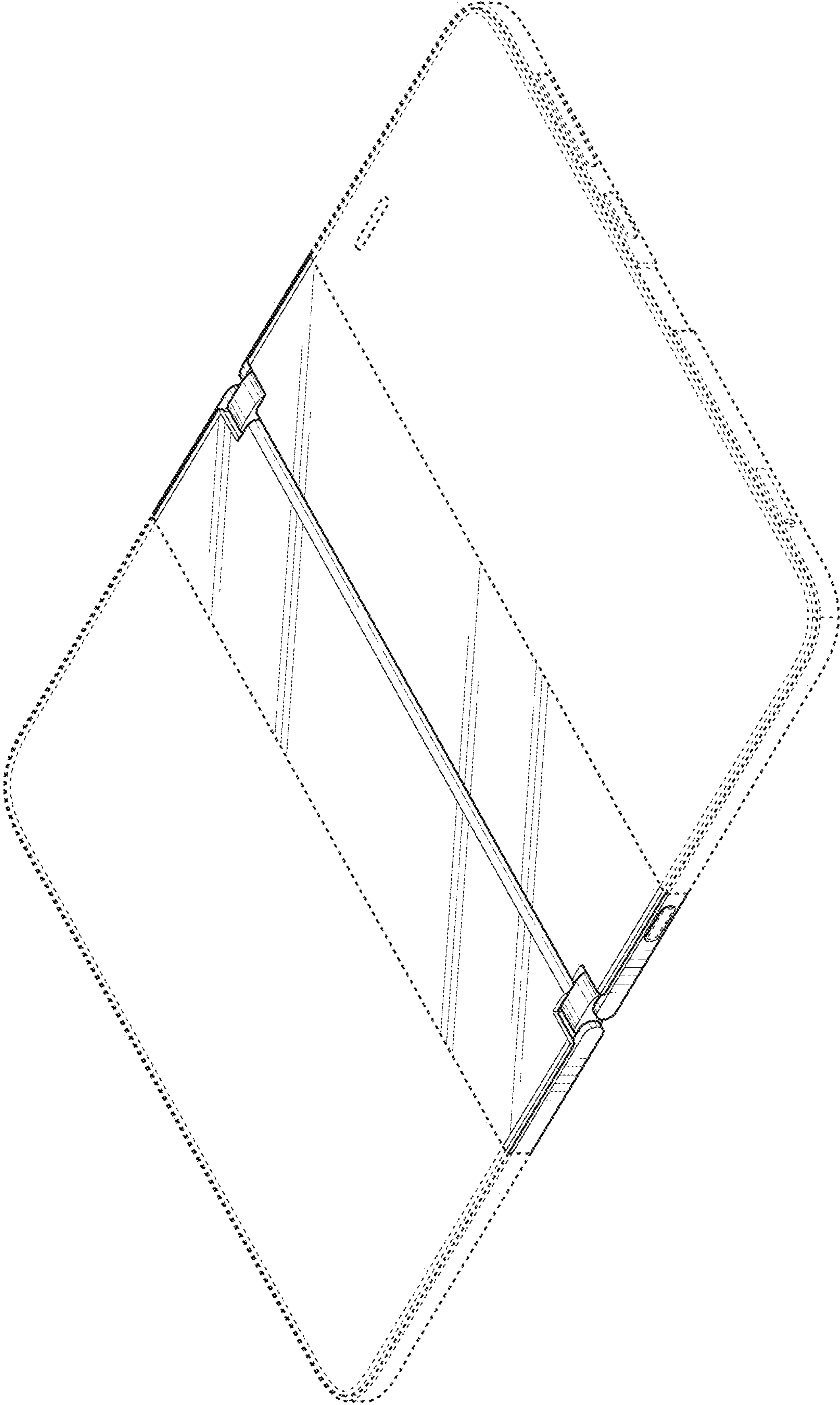


FIG. 1

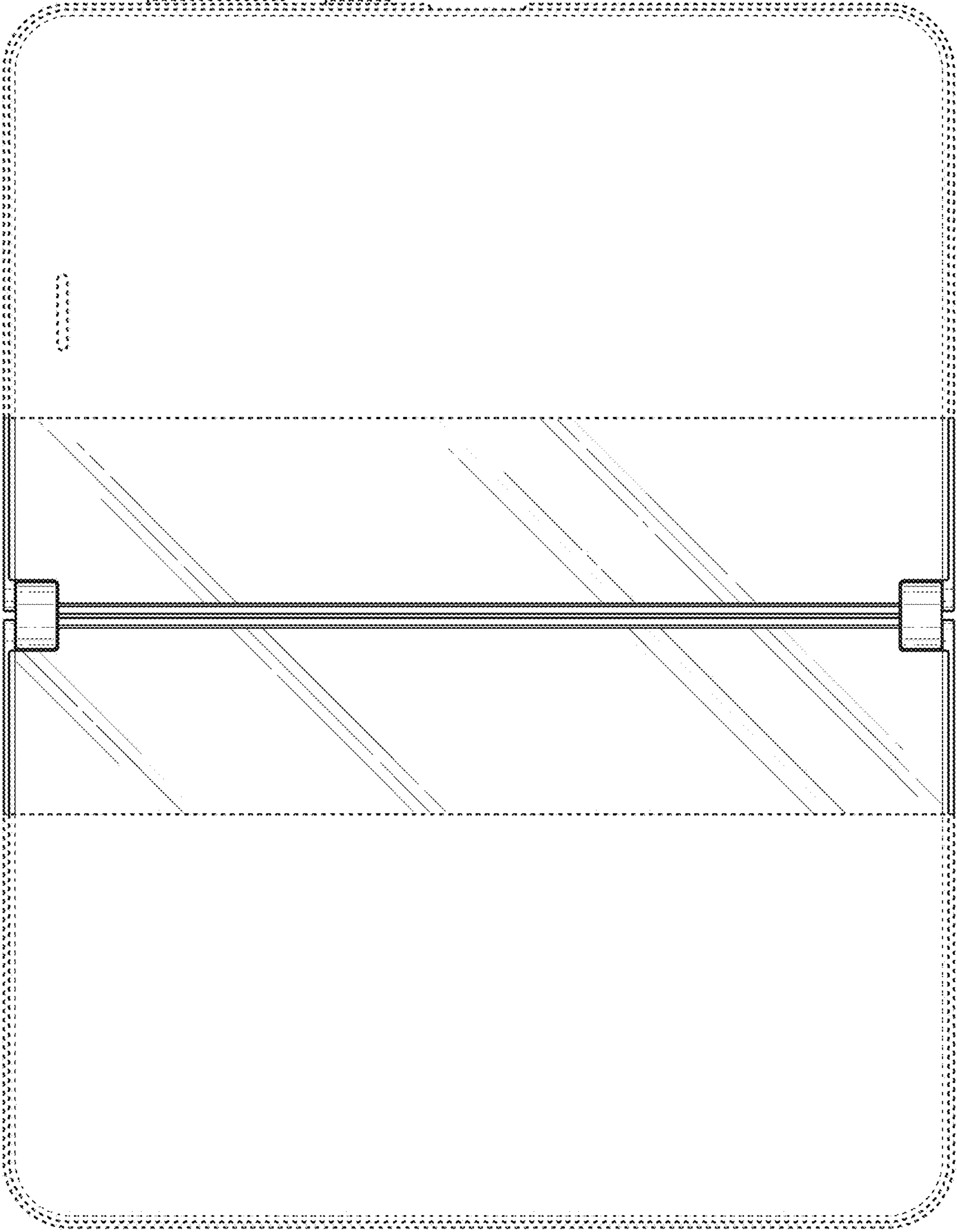


FIG. 2

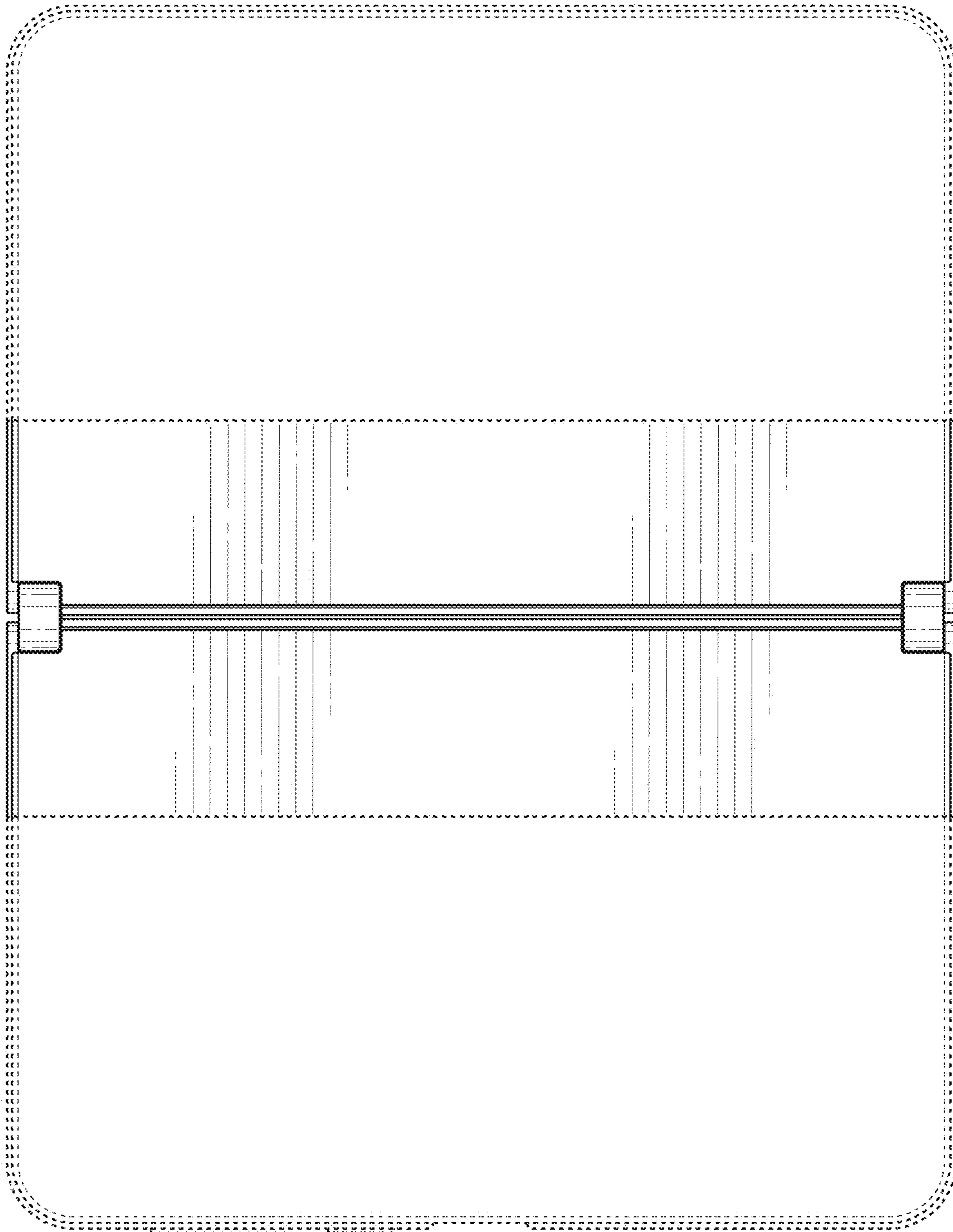


FIG. 3



FIG. 5



FIG. 4



FIG. 6



FIG. 7