



US00D976899S

(12) **United States Design Patent** (10) **Patent No.:** **US D976,899 S**
Akana et al. (45) **Date of Patent:** **** Jan. 31, 2023**

(54) **ELECTRONIC DEVICE**

(71) Applicant: **Apple Inc.**, Cupertino, CA (US)

(72) Inventors: **Jody Akana**, San Francisco, CA (US); **Molly Anderson**, San Francisco, CA (US); **Bartley K. Andre**, Palo Alto, CA (US); **Shota Aoyagi**, San Francisco, CA (US); **Anthony Michael Ashcroft**, San Francisco, CA (US); **Marine C. Bataille**, San Francisco, CA (US); **Jeremy Bataillou**, San Francisco, CA (US); **Abidur Rahman Chowdhury**, San Francisco, CA (US); **Clara Geneviève Marine Courtaigne**, Palo Alto, CA (US); **Markus Diebel**, San Francisco, CA (US); **Jonathan Gomez Garcia**, San Francisco, CA (US); **M. Evans Hankey**, San Francisco, CA (US); **Julian Hoenig**, San Francisco, CA (US); **Richard P. Howarth**, San Francisco, CA (US); **Jonathan P. Ive**, San Francisco, CA (US); **Julian Jaede**, San Francisco, CA (US); **Duncan Robert Kerr**, San Francisco, CA (US); **Peter Russell-Clarke**, San Francisco, CA (US); **Benjamin Andrew Shaffer**, San Jose, CA (US); **Joe Sung-Ho Tan**, San Francisco, CA (US); **Clement Tissandier**, San Francisco, CA (US); **Eugene Antony Whang**, San Francisco, CA (US); **Rico Zörkendörfer**, San Francisco, CA (US)

(73) Assignee: **Apple Inc.**, Cupertino, CA (US)

(**) Term: **15 Years**

(21) Appl. No.: **29/747,244**

(22) Filed: **Aug. 20, 2020**

(51) **LOC (14) Cl.** **14-03**

(52) **U.S. Cl.**
USPC **D14/344**

(58) **Field of Classification Search**

USPC ... D14/138 R, 144, 341, 344, 346, 388, 389, D14/390; D10/30-32, 38, 70; D24/167, D24/186, 187

(Continued)

(56) **References Cited**

U.S. PATENT DOCUMENTS

D728,624 S 5/2015 Akana et al.
D741,726 S 10/2015 Akana et al.

(Continued)

FOREIGN PATENT DOCUMENTS

GB 6119184 * 2/2021
GB 6119187 * 2/2021
JP D1601983 4/2018

OTHER PUBLICATIONS

Apple Watch Series 6 review: faster, cheaper, still the best, www.theguardian.com, Oct. 5, 2020. <https://www.theguardian.com/technology/2020/oct/05/apple-watch-series-6-review-faster-cheaper-still-the-best> (Year: 2020).*

(Continued)

Primary Examiner — Llorellys Martinez

Assistant Examiner — Kwabena A. Ankobiah

(74) *Attorney, Agent, or Firm* — Sterne, Kessler, Goldstein & Fox P.L.L.C.

(57) **CLAIM**

The ornamental design for an electronic device, as shown and described.

DESCRIPTION

FIG. 1 is a bottom front perspective view of an electronic device showing the claimed design;

FIG. 2 is a bottom rear perspective view thereof;

FIG. 3 is a front view thereof;

FIG. 4 is a rear view thereof;

FIG. 5 is a left side view thereof;

(Continued)

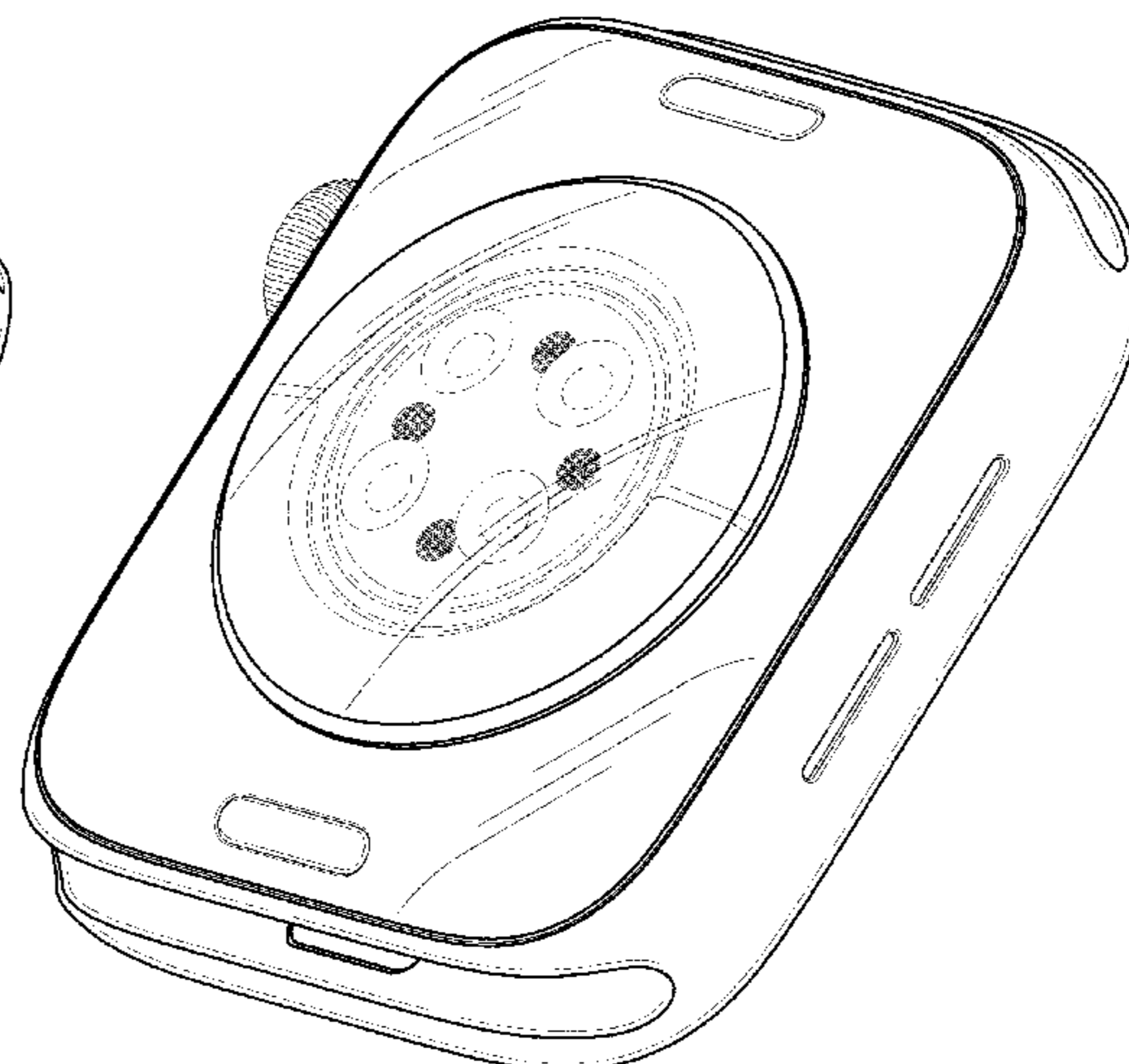
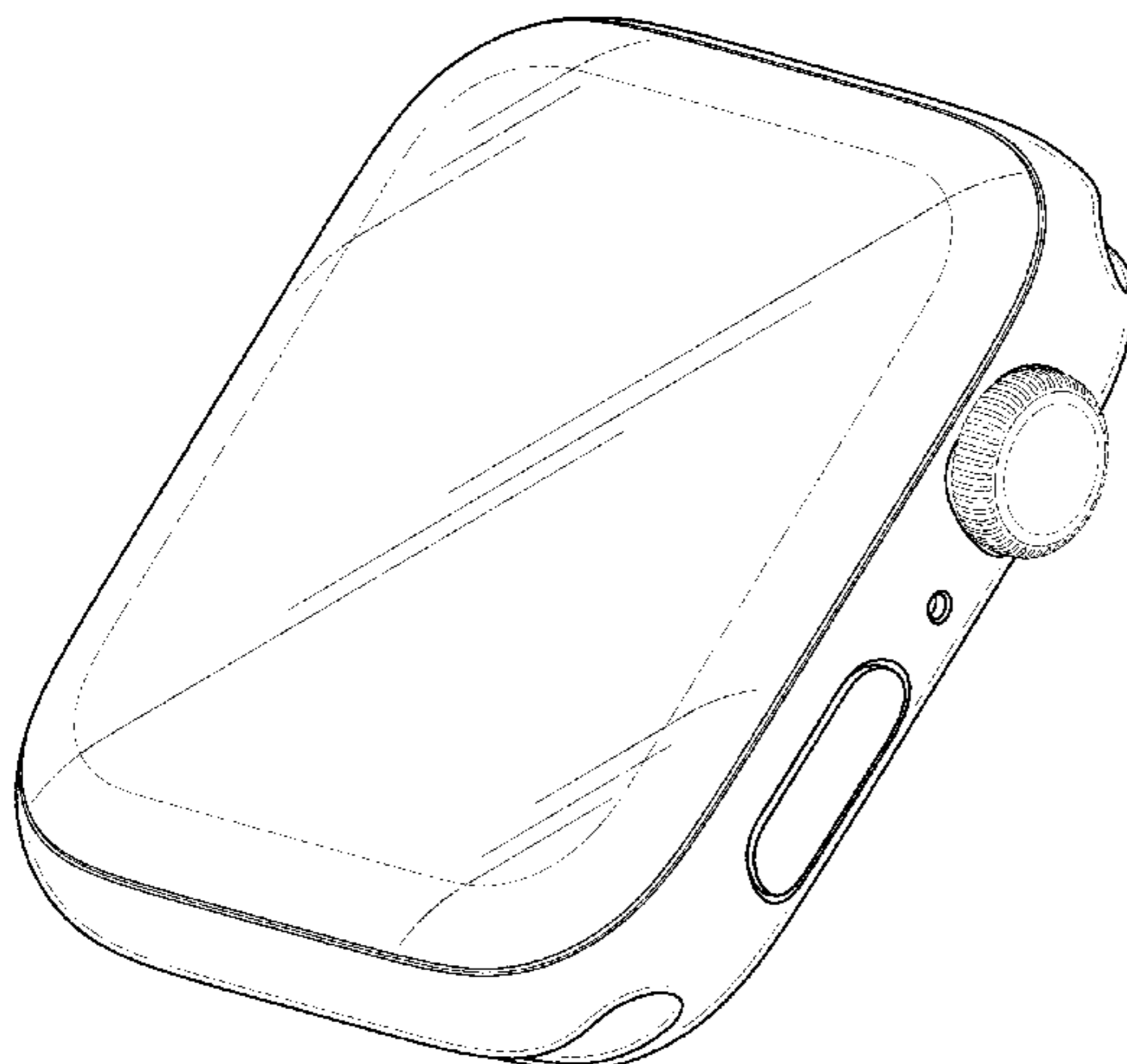


FIG. 6 is a right side view thereof;
 FIG. 7 is a top view thereof;
 FIG. 8 is a bottom view thereof; and,
 FIG. 9 is a bottom front perspective view thereof showing the electronic device in an environment in which it may be used.

The broken lines in FIGS. 3 and 4 show portions of the electronic device that form no part of the claimed design. The broken lines in FIG. 9 represent environmental subject matter that forms no part of the claimed design.

1 Claim, 7 Drawing Sheets

(58) Field of Classification Search

CPC G04G 17/00; G04G 17/06; G04G 17/08;
 G04G 17/083; G04G 17/045; G04G
 21/00; G04G 21/02; G04G 21/025; G04G
 21/06; G04G 21/08; G04G 99/006; G06F
 1/163

See application file for complete search history.

(56) References Cited

U.S. PATENT DOCUMENTS

D756,824 S	5/2016	Akana et al.	
D759,725 S *	6/2016	Akana	D14/496
D782,537 S *	3/2017	Akana	D14/511
D816,524 S *	5/2018	Akana	D10/126
D818,498 S *	5/2018	Akana	D14/511
D867,179 S *	11/2019	Akana	D10/70

D882,563 S	4/2020	Akana et al.	
D947,053 S *	3/2022	Akana	G06F 1/1643 D10/122
D947,180 S *	3/2022	Akana	D14/344
D947,181 S *	3/2022	Akana	D14/344
D947,182 S *	3/2022	Akana	D14/344
D947,841 S *	4/2022	Akana	D14/344
D947,842 S *	4/2022	Akana	D14/344
D949,144 S *	4/2022	Akana	D14/344
D949,145 S *	4/2022	Akana	D14/344
D949,146 S *	4/2022	Akana	D14/344
D953,324 S *	5/2022	Akana	D14/344
D955,380 S *	6/2022	Akana	D14/344
D962,930 S *	9/2022	Akana	D14/344
D962,933 S *	9/2022	Akana	D14/344
D962,934 S *	9/2022	Akana	D14/344
D962,935 S *	9/2022	Akana	D14/344
D962,936 S *	9/2022	Akana	D14/344
D962,937 S *	9/2022	Akana	D14/344
D962,948 S *	9/2022	Akana	D14/439
2021/0392422 A1 *	12/2021	Crowley	G06F 1/1643

OTHER PUBLICATIONS

A closer look at the Apple Watch Series 6 and how to review it, [www.theverge.com](https://www.theverge.com/2020/9/29/21493297/apple-watch-series-6-joanna-stern-interview-vergecast), Sep. 29, 2020. <https://www.theverge.com/2020/9/29/21493297/apple-watch-series-6-joanna-stern-interview-vergecast> (Year: 2020).*

'Apple Watch Series 6' haste photo review, rear sensor evolved with blood oxygen wellness sensor, [www.gigazine.net](https://gigazine.net/gsc_news/en/20200925-apple-watch-series-6-photo/), Sep. 25, 2020. https://gigazine.net/gsc_news/en/20200925-apple-watch-series-6-photo/ (Year: 2020).*

* cited by examiner

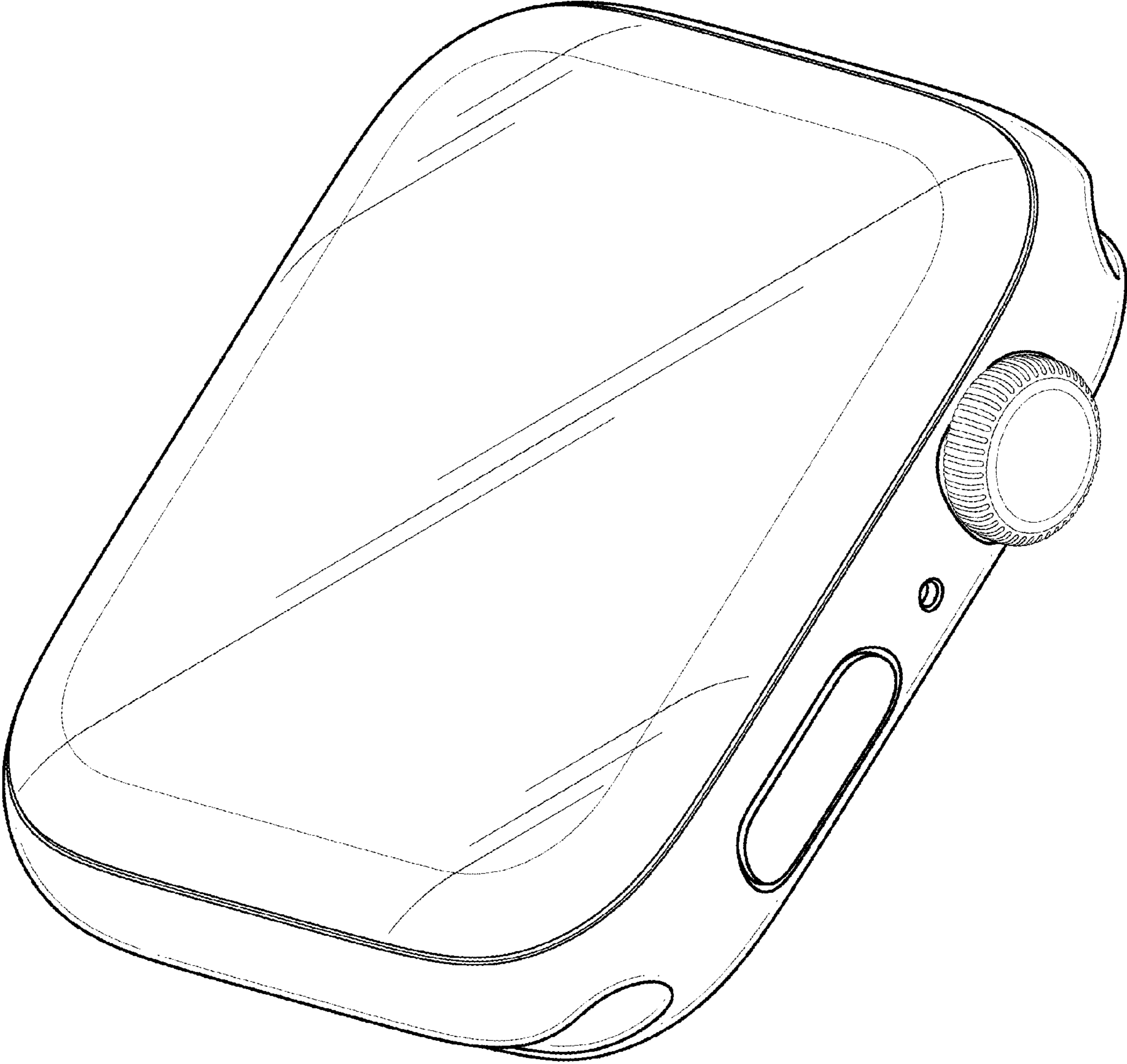


FIG. 1

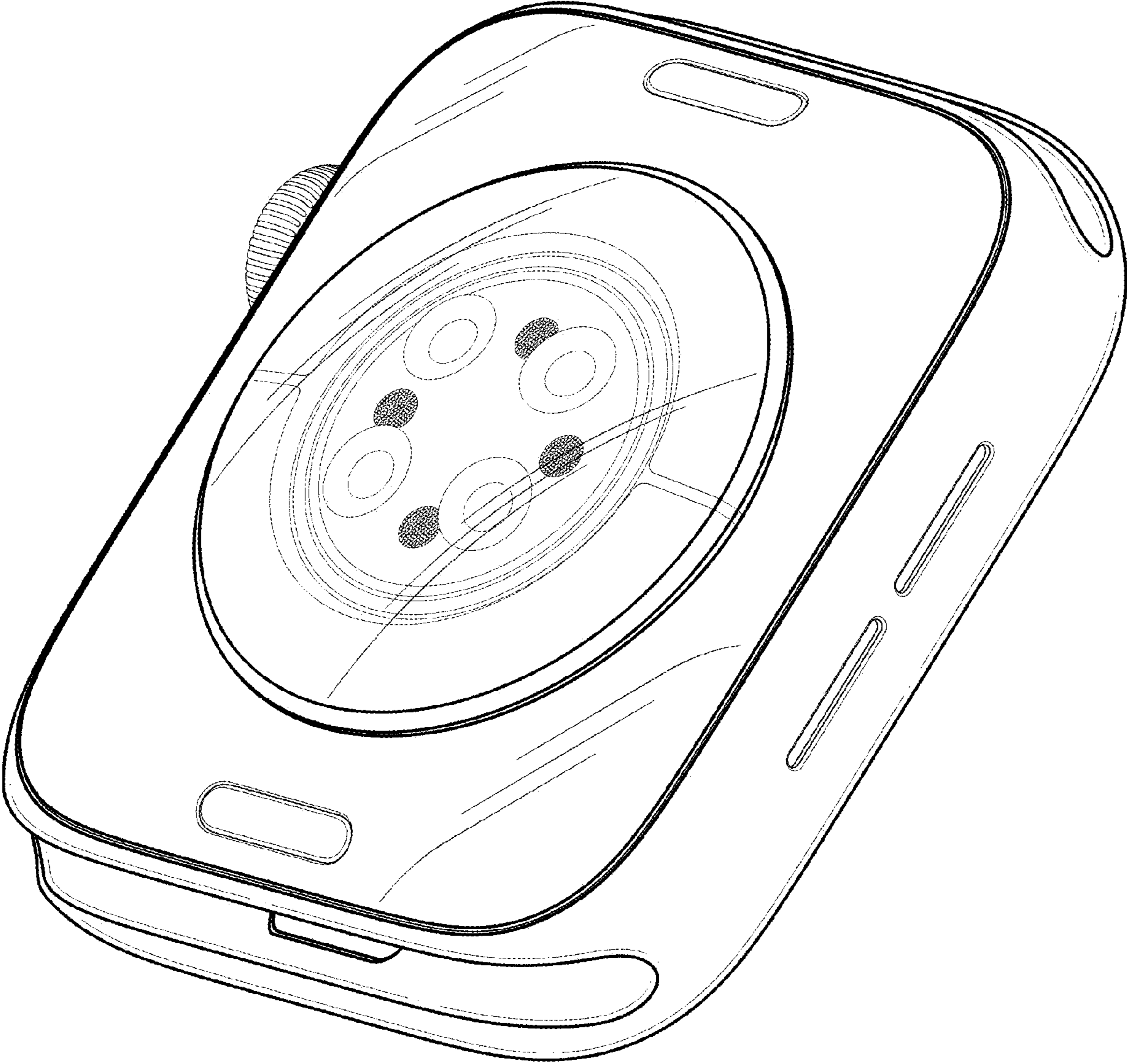


FIG. 2

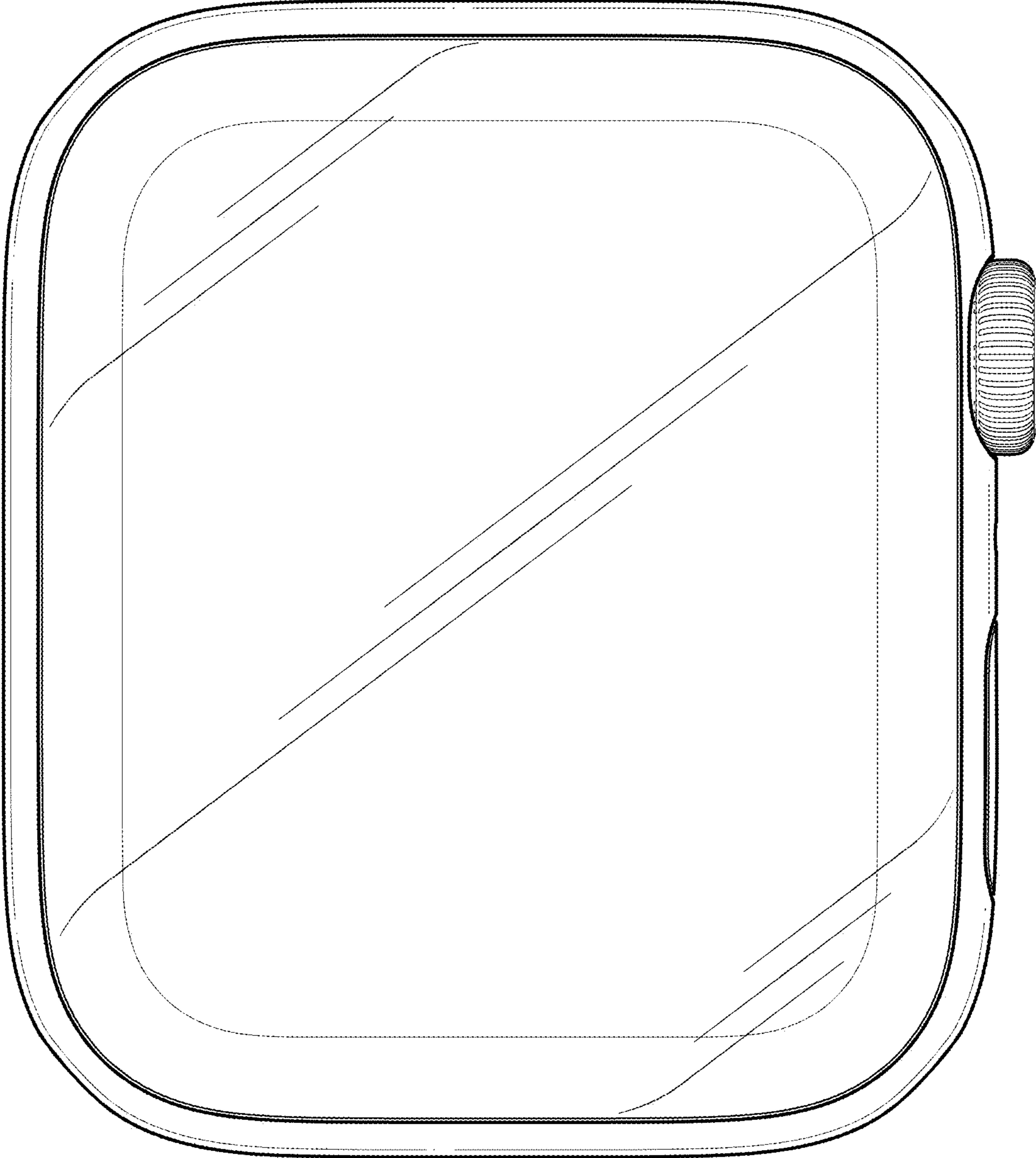


FIG. 3

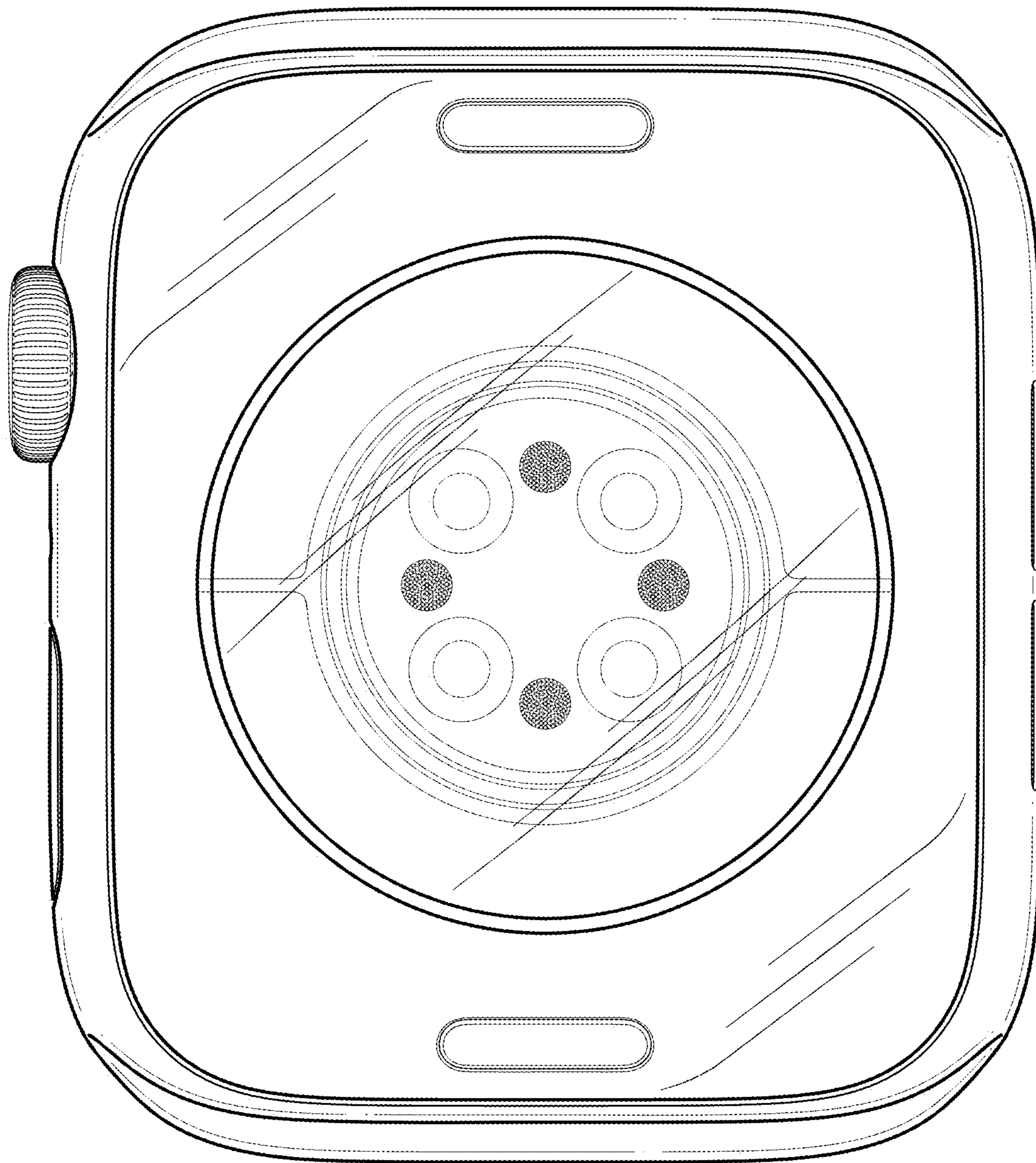


FIG. 4

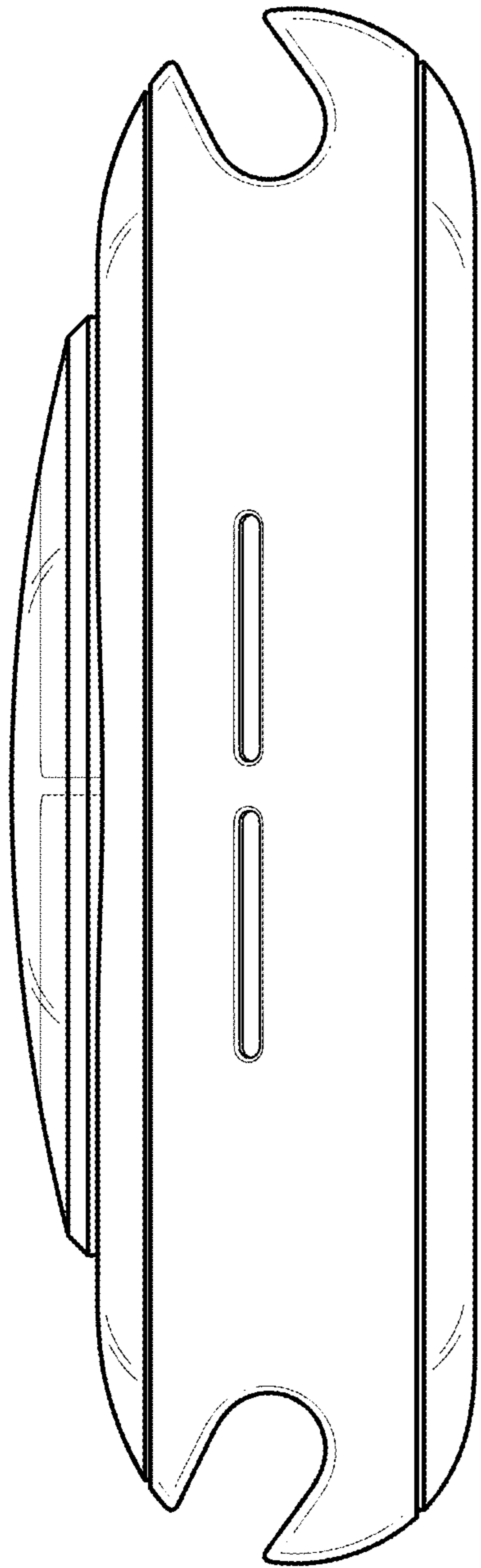


FIG. 5

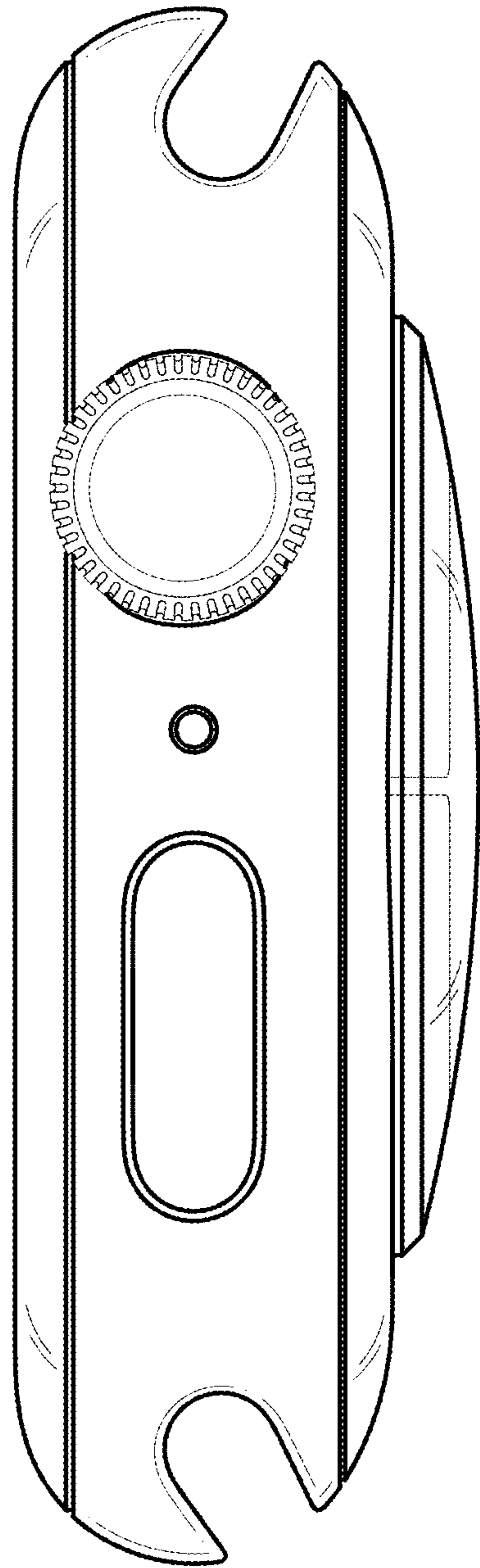


FIG. 6

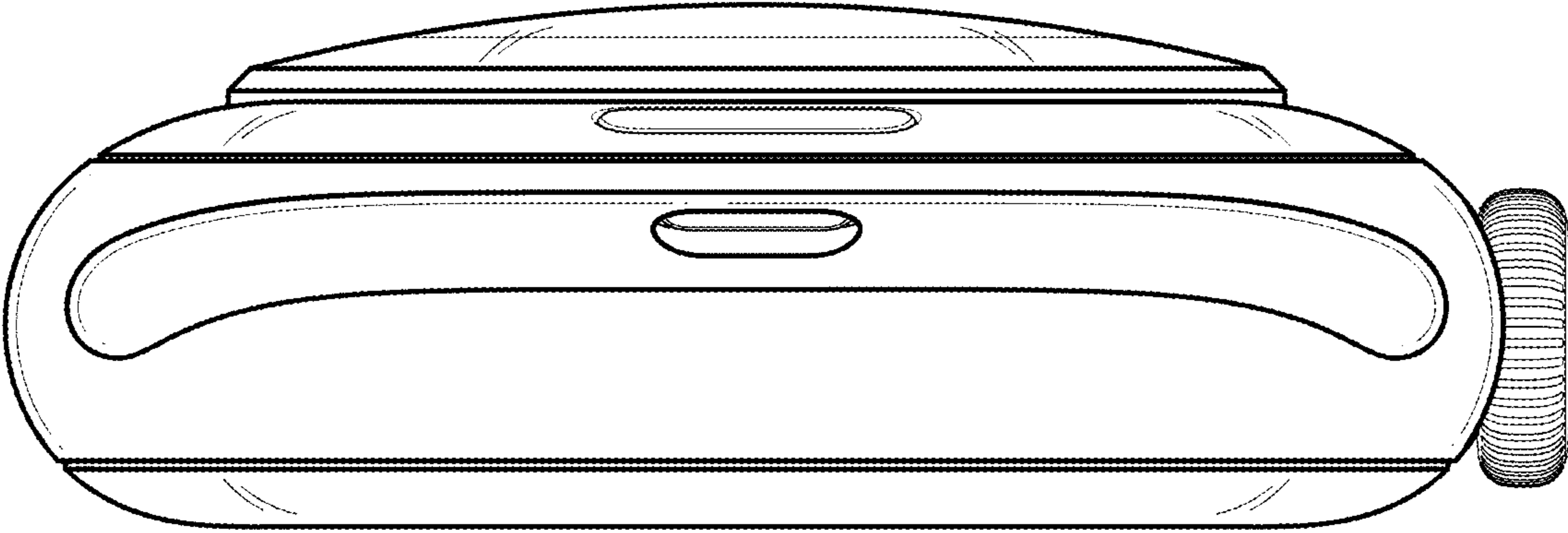


FIG. 7

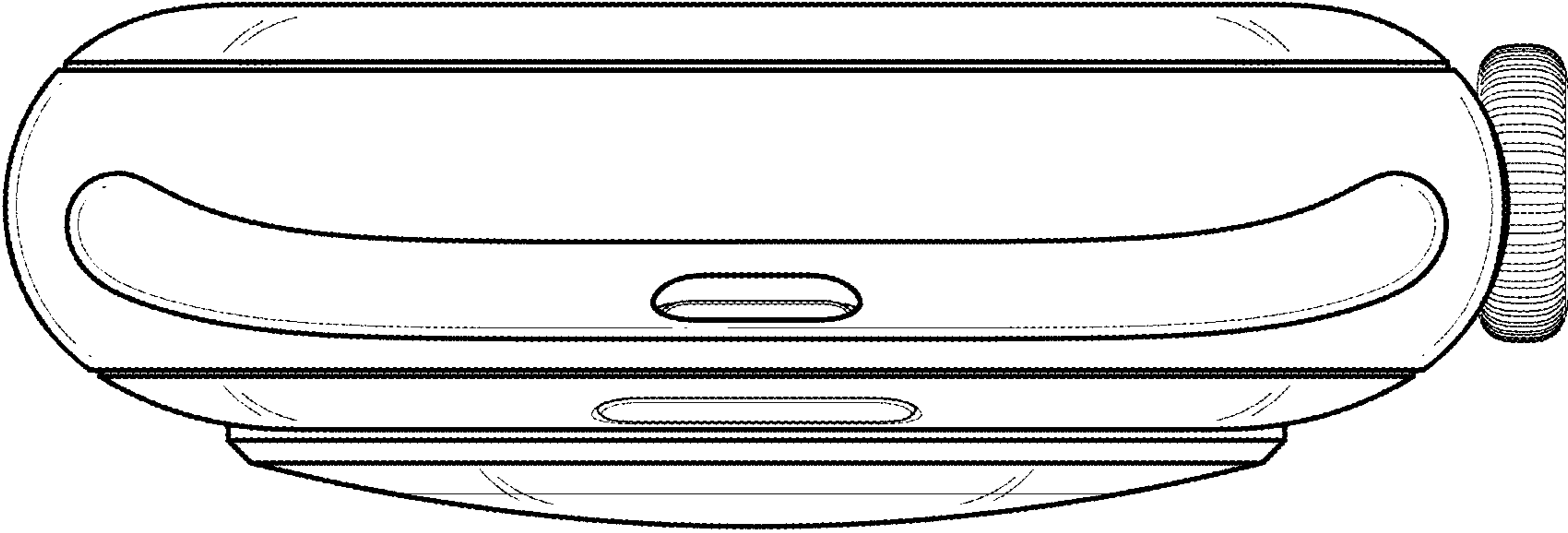


FIG. 8

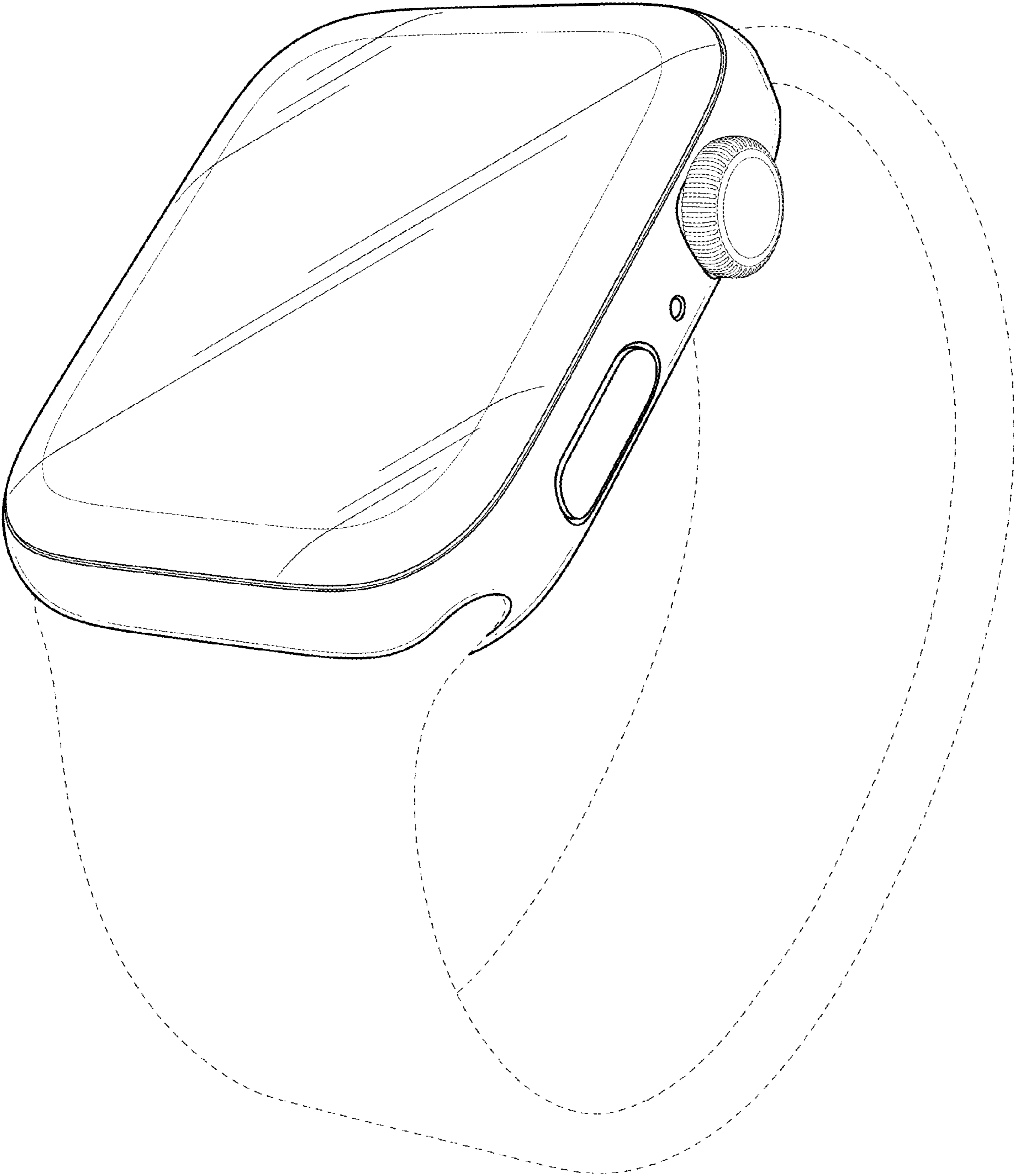


FIG. 9