



US00D976896S

(12) **United States Design Patent**  
**Escolin et al.**

(10) **Patent No.:** **US D976,896 S**  
(45) **Date of Patent:** **\*\* Jan. 31, 2023**

(54) **COMPUTING DEVICE**  
(71) Applicant: **Microsoft Corporation**, Redmond, WA (US)  
(72) Inventors: **Timothy G. Escolin**, Seattle, WA (US); **Young Soo Kim**, Bellevue, WA (US); **Scott Schenone**, Seattle, WA (US); **Panos Costa Panay**, Redmond, WA (US); **Ralf Groene**, Kirkland, WA (US); **Byungkwan Min**, Kirkland, WA (US)

D584,726 S 1/2009 Morita  
D588,126 S 3/2009 Chiang et al.  
D618,683 S 6/2010 Wilson et al.  
D634,317 S 3/2011 Buckle et al.  
(Continued)

**FOREIGN PATENT DOCUMENTS**

CA 178227 6/2018  
CA 194207 S 11/2021  
(Continued)

(73) Assignee: **Microsoft Corporation**, Redmond, WA (US)

**OTHER PUBLICATIONS**

Lenovo's ThinkPad X1 Fold is a \$2,499 PC, Jan. 6, 2020, [retrieved Jun. 3, 2022], Retrieved from Internet, URL: <https://www.theverge.com/circuitbreaker/2020/1/6/21051334/lenovo-thinkpad-x1-folding-pc-tablet-oled-price-specs-features-date-ces-2020> (Year: 2020).\*

(\*\*) Term: **15 Years**

(Continued)

(21) Appl. No.: **29/707,915**

*Primary Examiner* — Messina L Smith  
*Assistant Examiner* — Aram Kwon  
(74) *Attorney, Agent, or Firm* — Banner & Witcoff, Ltd.

(22) Filed: **Oct. 1, 2019**

(51) **LOC (14) Cl.** ..... **14-02**

(52) **U.S. Cl.**  
USPC ..... **D14/341**

(58) **Field of Classification Search**  
USPC ..... D14/138 AA, 138 AB, 138 AC, 138 AD, D14/138 C, 138 G, 203.1–203.8, 248, D14/315–318, 341–347, 371, 374, 432, D14/439, 496; D6/308, 310; D10/50, D10/65, 104.1; D18/6–7; D19/26, D19/59–60; D21/324, 329–330, 332  
CPC ... H04M 1/0202; H04M 1/0266; H04M 1/725  
See application file for complete search history.

(57) **CLAIM**

The ornamental design for a computing device, as shown and described.

(56) **References Cited**

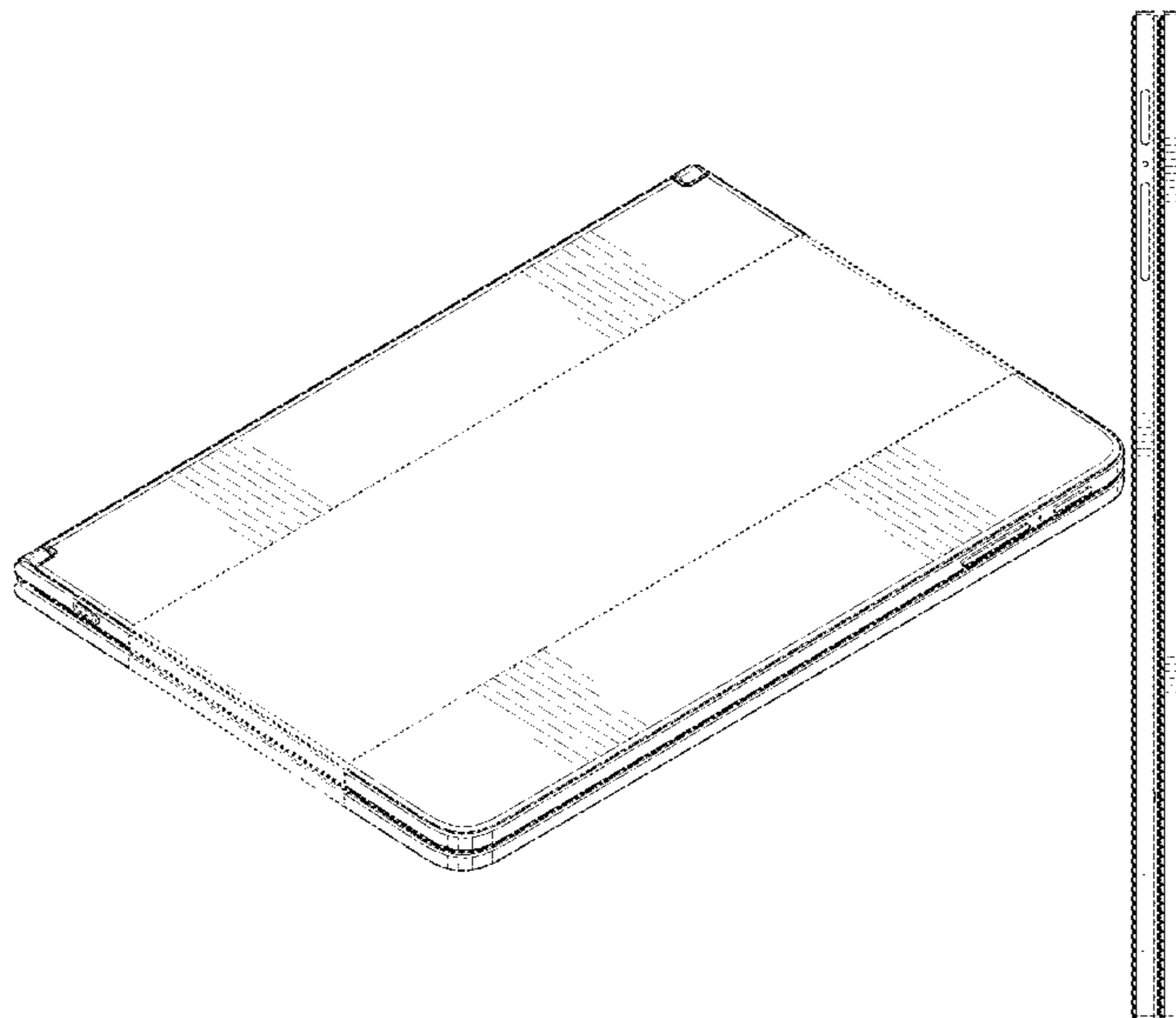
**U.S. PATENT DOCUMENTS**

D378,686 S 4/1997 Proctor et al.  
D402,967 S \* 12/1998 Hanafsa ..... D18/7  
D454,871 S 3/2002 Perez  
D477,014 S 7/2003 Clarkson  
D499,095 S 11/2004 Balarezo  
D517,545 S 3/2006 Buckel et al.

**DESCRIPTION**

FIG. 1 is a perspective view of a computing device showing our new design;  
FIG. 2 is a front view thereof;  
FIG. 3 is a rear view thereof;  
FIG. 4 is a right side view thereof;  
FIG. 5 is a left side view thereof;  
FIG. 6 is a bottom view thereof; and,  
FIG. 7 is a top view thereof.  
The broken lines in FIGS. 1-7 show features of the computing device that form no part of the claimed design.

**1 Claim, 5 Drawing Sheets**



(56)

References Cited

U.S. PATENT DOCUMENTS

D634,318 S 3/2011 Buckle et al.  
 D638,833 S 5/2011 Chuang  
 D650,781 S 12/2011 Rashid et al.  
 D677,660 S 3/2013 Groene et al.  
 D687,034 S 7/2013 Reeves et al.  
 D705,776 S 5/2014 Groene et al.  
 D705,777 S 5/2014 Groene et al.  
 D708,610 S 7/2014 Ahn et al.  
 D709,493 S 7/2014 Ahn et al.  
 D713,403 S 9/2014 Groene et al.  
 D717,806 S 11/2014 Yum et al.  
 D719,540 S 12/2014 Lee et al.  
 D719,541 S 12/2014 Lee et al.  
 D719,542 S 12/2014 Lee et al.  
 D728,583 S 5/2015 Choi et al.  
 D729,816 S 5/2015 Park et al.  
 D730,363 S 5/2015 Park et al.  
 D730,915 S 6/2015 Lee et al.  
 D734,757 S 7/2015 Myung et al.  
 D740,296 S 10/2015 Itano et al.  
 D742,873 S 11/2015 Ahn et al.  
 D743,959 S 11/2015 Landwehr  
 D745,869 S 12/2015 Ahn et al.  
 D746,285 S \* 12/2015 Okabe ..... D14/345  
 D749,571 S \* 2/2016 Park ..... D14/203.4  
 D749,572 S 2/2016 Park et al.  
 D749,574 S 2/2016 Park et al.  
 D750,079 S 2/2016 Chen et al.  
 D750,081 S 2/2016 Jeong et al.  
 D750,095 S 2/2016 Jeong et al.  
 D750,629 S 3/2016 Kim et al.  
 D751,077 S 3/2016 Park et al.  
 D753,648 S 4/2016 Shyu et al.  
 D754,660 S 4/2016 Kim et al.  
 D761,254 S 7/2016 Yamazaki et al.  
 D768,624 S 10/2016 Bae et al.  
 D770,433 S 11/2016 Kangasmaa et al.  
 D775,130 S 12/2016 Otani  
 D775,598 S 1/2017 Kim et al.  
 D776,108 S 1/2017 Hsu  
 9,541,962 B2 \* 1/2017 Siddiqui ..... G06F 1/1679  
 D779,481 S 2/2017 Jun et al.  
 D783,608 S 4/2017 Park et al.  
 D786,210 S 5/2017 Lee  
 D787,517 S 5/2017 Chou et al.  
 9,655,235 B2 \* 5/2017 Hwang ..... G09F 9/301  
 D788,773 S 6/2017 Seo et al.  
 D788,774 S 6/2017 Seo et al.  
 D789,942 S 6/2017 Bailey et al.  
 D790,533 S 6/2017 Matsuoka  
 D790,554 S 6/2017 Bailey et al.  
 D790,555 S 6/2017 Bailey et al.  
 D791,725 S 7/2017 Lee  
 D791,780 S 7/2017 Bailey et al.  
 D799,485 S 10/2017 Kim et al.  
 D799,495 S 10/2017 Bailey et al.  
 D799,496 S 10/2017 Bailey et al.  
 D800,112 S 10/2017 Park et al.  
 D814,455 S 4/2018 Kwon  
 D815,644 S 4/2018 Nakajima et al.  
 D816,079 S \* 4/2018 Yamazaki ..... D14/341  
 D819,628 S 6/2018 Park et al.  
 D819,639 S 6/2018 Raken et al.  
 D823,850 S 7/2018 Lim et al.  
 D825,513 S 8/2018 Seo et al.  
 D825,518 S 8/2018 Kikuchi  
 D826,889 S 8/2018 Seo et al.  
 D827,604 S 9/2018 Seo et al.  
 D828,318 S 9/2018 Seo et al.  
 D828,319 S 9/2018 Seo et al.  
 D833,429 S 11/2018 Groene et al.  
 D833,431 S 11/2018 Bae et al.  
 D834,009 S 11/2018 Itou  
 D839,232 S 1/2019 Itou  
 D840,393 S 2/2019 Kim et al.

D840,394 S \* 2/2019 Son ..... D14/345  
 D841,646 S \* 2/2019 Son ..... D14/345  
 D842,833 S 3/2019 Seo et al.  
 D842,834 S 3/2019 Seo et al.  
 D844,601 S \* 4/2019 Yamazaki ..... D14/345  
 D844,602 S 4/2019 Yamazaki et al.  
 D847,134 S 4/2019 Yamazaki et al.  
 D847,810 S \* 5/2019 Okuley ..... D14/345  
 D848,416 S \* 5/2019 Yamazaki ..... D14/345  
 D873,817 S 1/2020 Raken et al.  
 D875,091 S 2/2020 Kwon  
 D891,426 S 7/2020 Nguyen  
 D898,737 S 10/2020 Chen  
 D901,426 S 11/2020 Lee et al.  
 D901,495 S 11/2020 Lee  
 D909,370 S 2/2021 Jones et al.  
 D910,009 S 2/2021 Wu et al.  
 D910,620 S \* 2/2021 Lee ..... D14/341  
 D910,622 S 2/2021 Lee  
 D915,335 S 4/2021 Lee et al.  
 D915,336 S 4/2021 Lee et al.  
 D915,337 S \* 4/2021 Lee ..... D14/138 AD  
 10,973,144 B2 4/2021 Lee et al.  
 D920,973 S 6/2021 Lee  
 D922,345 S 6/2021 Bae et al.  
 D922,974 S 6/2021 Bae et al.  
 D926,183 S 7/2021 Lim  
 D928,778 S 8/2021 DeMaio  
 D933,059 S \* 10/2021 Triplicane Gopikrishnan .....  
 D14/320  
 D933,068 S 10/2021 Raken et al.  
 D934,855 S \* 11/2021 Hallar ..... D14/315  
 D941,811 S 1/2022 Lam et al.  
 D947,844 S 4/2022 Lee  
 D951,219 S \* 5/2022 Cho ..... D14/138 AB  
 D961,581 S \* 8/2022 Lee ..... D14/316  
 D962,221 S \* 8/2022 Leung ..... D14/315  
 D962,222 S \* 8/2022 Leung ..... D14/315  
 D962,223 S \* 8/2022 Leung ..... D14/316  
 D962,237 S \* 8/2022 Escolin ..... D14/345  
 D962,921 S \* 9/2022 Leung ..... D14/315  
 D962,938 S \* 9/2022 Escolin ..... D14/345  
 D962,939 S \* 9/2022 Escolin ..... D14/345  
 2011/0242026 A1 \* 10/2011 Ishigaki ..... G06F 16/9038  
 345/1.3  
 2015/0160698 A1 6/2015 Tsukamoto et al.  
 2019/0339738 A1 11/2019 Hou  
 2020/0319679 A1 \* 10/2020 Knoppert ..... G06F 1/1641  
 2021/0064084 A1 \* 3/2021 Lin ..... G06F 1/1681  
 2021/0096654 A1 4/2021 Qiu et al.  
 2021/0173438 A1 6/2021 Lee et al.  
 2021/0349545 A1 11/2021 Liang et al.

FOREIGN PATENT DOCUMENTS

CA 194210 S 11/2021  
 CA 194214 S 11/2021  
 CA 194218 S 11/2021  
 CA 194219 \* 2/2022  
 CA 194220 \* 2/2022  
 CA 194208 \* 3/2022  
 CN 303710822 6/2016  
 GB 8207251000-4000 \* 3/2020  
 JP 1392438 S 7/2010  
 JP HA2300291900 5/2011  
 JP HC2300739300 9/2011  
 JP HC2300739400 9/2011  
 JP HC2300739500 9/2011  
 JP 1469199 S 5/2013  
 JP 1492956 S 3/2014  
 JP 1569358 S 2/2017  
 JP 1572767 S 4/2017  
 JP 1679017 S 2/2021  
 JP 1679018 S 2/2021  
 JP 1679019 S 2/2021  
 KR 30-0608375 8/2011  
 KR 30-0689166 4/2013  
 KR 300784249.0000 2/2015  
 KR 300808191.0000 7/2015

(56)

**References Cited**

## FOREIGN PATENT DOCUMENTS

KR	30-0838107	2/2019
KR	300838109.0000	2/2019
WO	DM203816	5/2019
WO	D207277-002	10/2020
WO	WOD207251-004	* 10/2020

## OTHER PUBLICATIONS

Microsoft Surface Neo First Look, Oct. 2, 2019, [retrieved Jun. 3, 2022], Retrieved from Internet, URL: <<https://www.theverge.com/2019/10/2/20889000/microsoft-surface-neo-windows-10x-hands-on-features-price-photos-release-date>> (Year: 2019).\*

Microsoft Surface Neo Is a Dual-Screen Device, Oct. 2, 2019, retrieved Jun. 3, 2022], Retrieved from Internet, URL: <<https://wccftch.com/microsoft-surface-neo-dual-screen-device-official/>> (Year: 2019).\*

Microsoft Takes Gamble, Oct. 6, 2019, [retrieved Jun. 3, 2022], Retrieved from Internet, URL: <<https://www.forbes.com/sites/ewanspence/2019/10/06/microsoft-windows10-windows10x-surface-duo-surface-neo-success-danger-analysis/?sh=40fb%E2%80%A6>> (Year: 2019).\*

Surface Neo and Surface Duo, Oct. 18, 2019, [retrieved Jun. 3, 2022], Retrieved from Internet, URL: <<https://www.phonefoldable.com/surface-neo-and-surface-duo-tell-you-everything-about-microsofts-future/>> (Year: 2019).\*

“Notice of Allowance Issued in Japanese Patent Application No. 2020-006801”, dated Dec. 22, 2020, 6 Pages. (MS# 407607-JP-RD).

“Notice of Allowance Issued in Japanese Patent Application No. 2020-006802”, dated Dec. 22, 2020, 6 Pages. (MS# 407610-JP-RD).

“Notice of Allowance Issued in Japanese Patent Application No. 2020-006803”, dated Dec. 22, 2020, 6 Pages. (MS# 407612-JP-RD).

“Notice of Allowance Issued in Japanese Patent Application No. 2020-006804”, dated Dec. 22, 2020, 6 Pages. (MS# 407616-JP-RD).

“Notice of Allowance Issued in Japanese Patent Application No. 2020-006805”, dated Dec. 22, 2020, 6 Pages. (MS# 407617-JP-RD).

“Notice of Allowance Issued in Japanese Patent Application No. 2020-006806”, dated Dec. 22, 2020, 6 Pages. (MS# 407618-JP-RD).

“Notice of Allowance Issued in Japanese Patent Application No. 2020-006807”, dated Dec. 8, 2020, 6 Pages, (MS# 407619-JP-RD).

“Ex Parte Quayle Action Issued in U.S. Appl. No. 29/707,894”, Mailed Date: Sep. 23, 2021, 9 Pages. (MS# 407593-US-DP).

“Cover for Microsoft Surface Go, Moko, Amazon.com”, Retrieved From: [https://www.amazon.com/dp/B07VRBB2XD/ref=as\\_li\\_ss\\_tl?%20Subscription%20Id=AKIAJ07E50LQ67NVPFZA&ascsubtag](https://www.amazon.com/dp/B07VRBB2XD/ref=as_li_ss_tl?%20Subscription%20Id=AKIAJ07E50LQ67NVPFZA&ascsubtag), Retrieved Date: Jul. 29, 2019, 13 Pages.

“Surface Pro X Signature Keyboard with Slim Pen Bundle”, Retrieved From: <https://www.microsoft.com/en-us/p/surface-pro-x-signature-keyboard-with-slim-pen-bundle/8n0kt2q6snrt?activetab=overview>, Retrieved Date: Dec. 15, 2020, 6 Pages.

“Office Action Issued in Japanese Patent Application No. 2020-006801”, dated Aug. 25, 2020, 7 Pages. (MS# 407607-JP-RD).

“Office Action Issued in Japanese Patent Application No. 2020-006802”, dated Aug. 25, 2020, 7 Pages. (MS# 407610-JP-RD).

“Office Action Issued in Japanese Patent Application No. 2020-006804”, dated Aug. 25, 2020, 7 Pages. (MS# 407616-JP-RD).

“Office Action Issued in Japanese Patent Application No. 2020-006805”, dated Aug. 25, 2020, 7 Pages. (MS# 407617-JP-RD).

“Office Action Issued in Japanese Patent Application No. 2020-006803”, dated Aug. 25, 2020, 7 Pages. (MS# 407612-JP-RD).

“Office Action Issued in Japanese Patent application No. 2020-006806”, dated Aug. 25, 2020, 7 Pages. (MS# 407618-JP-RD).

“Office Action Issued in Canadian Patent Application No. 194213”, dated Nov. 25, 2021, 1 Page.(MS# 407617-CA-RD).

“Office Action Issued in Canadian Patent Application No. 194208”, dated Nov. 30, 2021, 2 Pages.(MS# 407614-CA-RD).

“Office Action Issued in Canadian Patent Application No. 194220”, dated Nov. 25, 2021, 1 Page.(MS# 407610-CA-RD).

“Office Action Issued in Canadian Patent Application No. 194219”, dated Nov. 25, 2021, 1 Page.(MS# 407619-CA-RD).

“Notice of Allowance Issued in Japanese Patent Application No. 2020-006797”, dated Feb. 16, 2021, 5 Pages. (MS# 407593-JP-RD).

Warren, Tom, “Microsoft Surface Neo First Look: The Future of Windows 10x is Dual-Screen”, Retrieved From: <https://www.theverge.com/2019/10/2/20889000/microsoft-surface-neo-windows-10x-hands-on-features-price-photos-release-date>, Oct. 2, 2019, 12 Pages.

“Notice of Allowance Issued in U.S. Appl. No. 29/707,904”, dated Apr. 28, 2022, 10 Pages. (MS# 407616-US-DP).

“Ex-Parte Quayle Action Issued in U.S. Appl. No. 29/707,907”, Mailed Date: Apr. 25, 2022, 7 Pages. (MS# 407617-US-DP).

Kelvin, “Lunark is a Dual Folding Smartphone With a Special Hinge Included”, Retrieved from: <https://www.concept-phones.com/cool-concepts/lunark-dual-folding-smartphone-special-hinge-included/>, Aug. 26, 2015, 8 Pages.

“Notice of Allowance Issued in U.S. Appl. No. 29/707,914”, dated Jun. 23, 2022, 8 Pages (MS# 407612-US-DP).

“Non Final Office Action Issued in U.S. Appl. No. 29/707,894”, dated Mar. 29, 2022, 14 Pages. (MS# 407593-US-DP).

Ex-parte Quayle Action Issued in U.S. Appl. No. 29/707,914, Mailed Date: Mar. 30, 2022, 14 Pages. (MS# 407612-US-DP).

“Folio Foldable Tablet Prototype”, Retrieved From <<<https://tabletmonkeys.com/foldable-lenovo-folio-tablet-prototype-showcased/>>>, Jun. 10, 2016, 3 Pages.

“Surface Duo Folding Phone”, Retrieved From <<<https://www.microsoft.com/en-us/d/surface-duo-2/9408kgxp4xjl?activetab=pivot:techspecstab>>>, Sep. 23, 2021, 10 Pages.

Burns, Chris, “Andromeda Folding Tablet”, Retrieved From <<<https://www.slashgear.com/microsoft-andromeda-folding-tablet-would-be-an-android-dream-18512118>>>, Dec. 18, 2017, 6 Pages.

“Notice of Allowance Issued in U.S. Appl. No. 29/707,908”, dated May 4, 2022, 9 Pages. (MS# 407618-US-DP).

“Non Final Office Action Issued in U.S. Appl. No. 29/707,911”, dated Apr. 25, 2022, 10 Pages. (MS# 407607-US-DP).

“Non Final Office Action Issued in U.S. Appl. No. 29/707,912”, dated Apr. 25, 2022, 8 Pages. (MS# 407610-US-DP).

“Notice of Allowance Issued in U.S. Appl. No. 29/707,916”, dated May 2, 2022, 9 Pages. (MS# 407619-US-DP).

\* cited by examiner

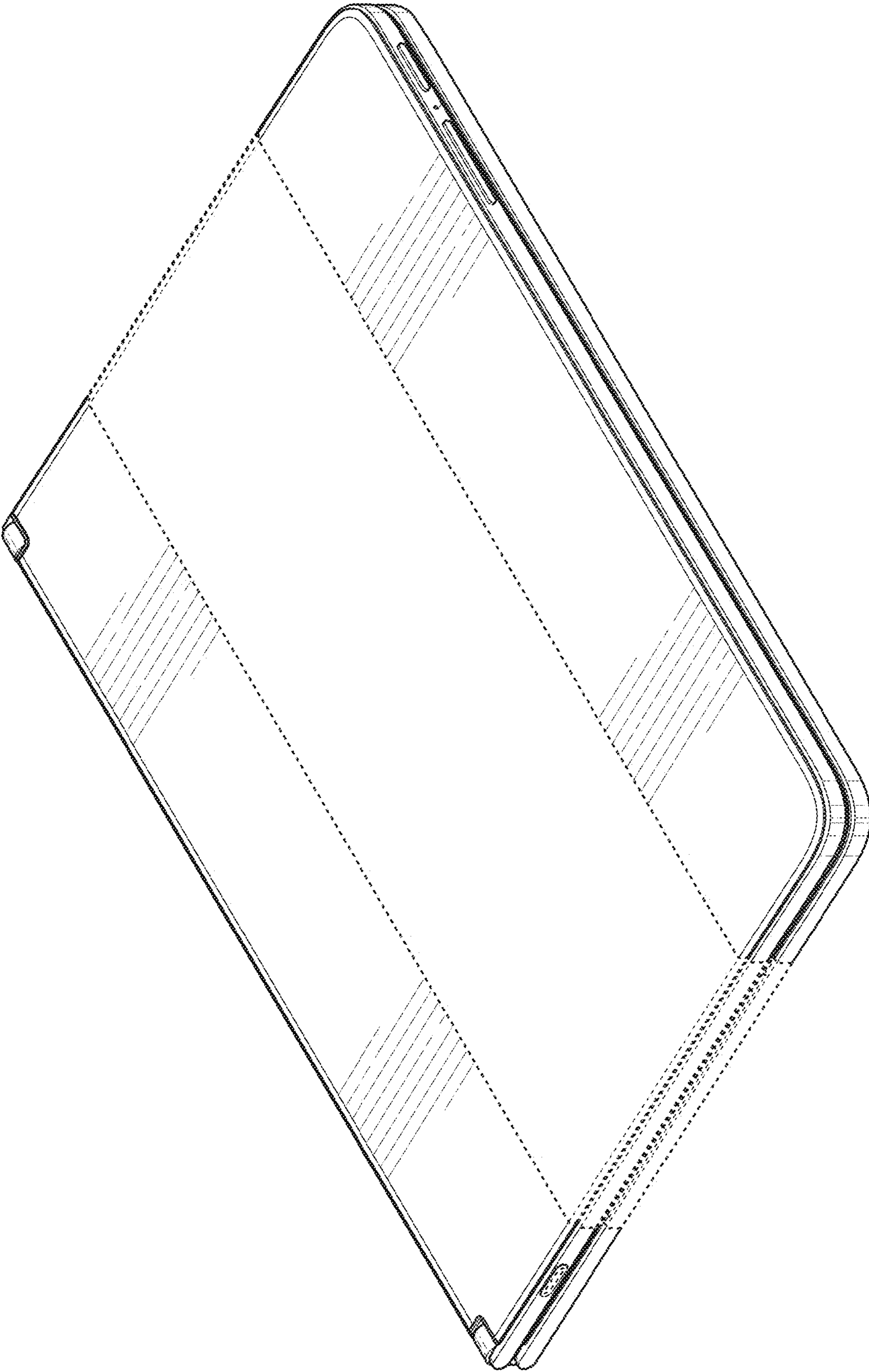


FIG. 1

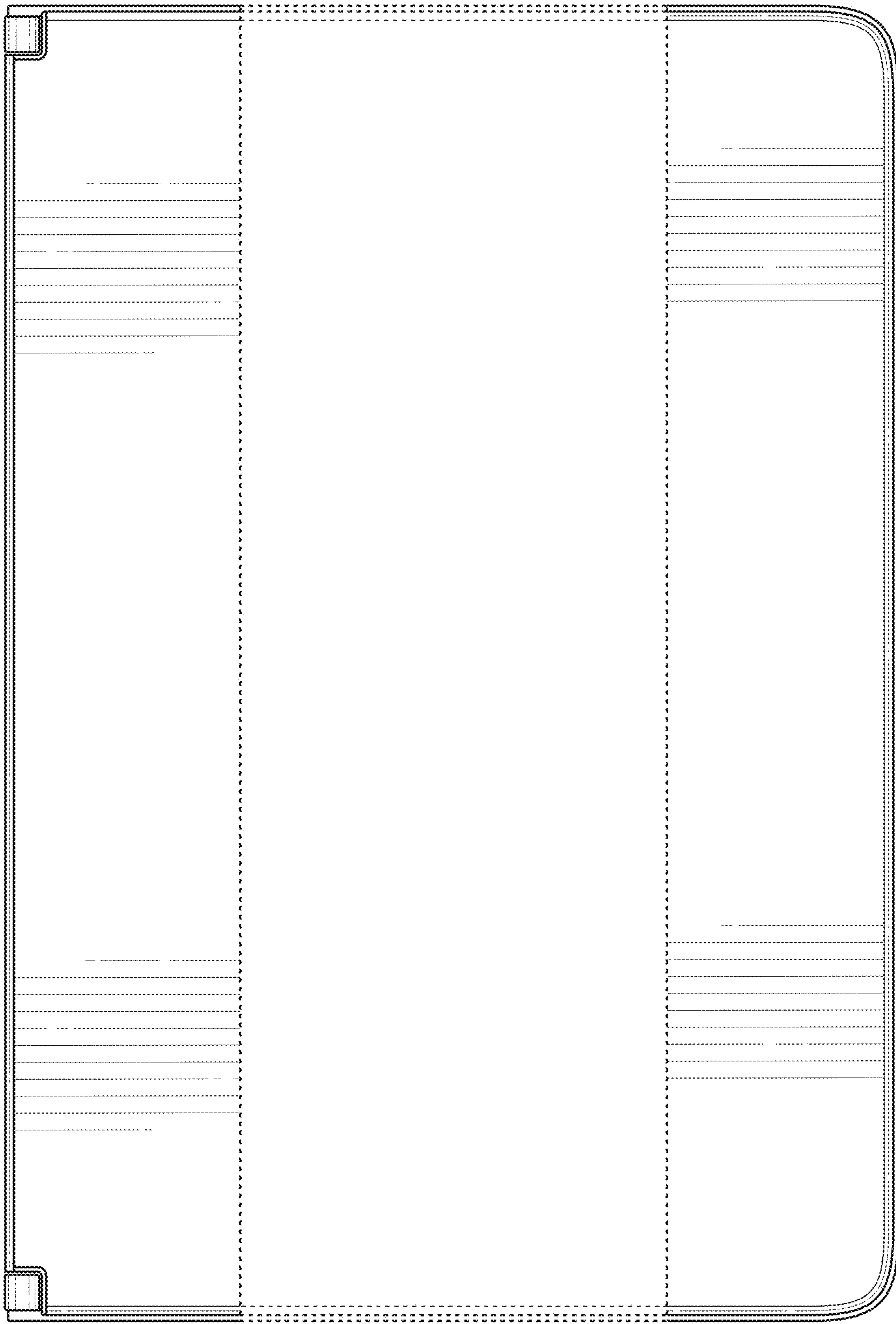


FIG. 2

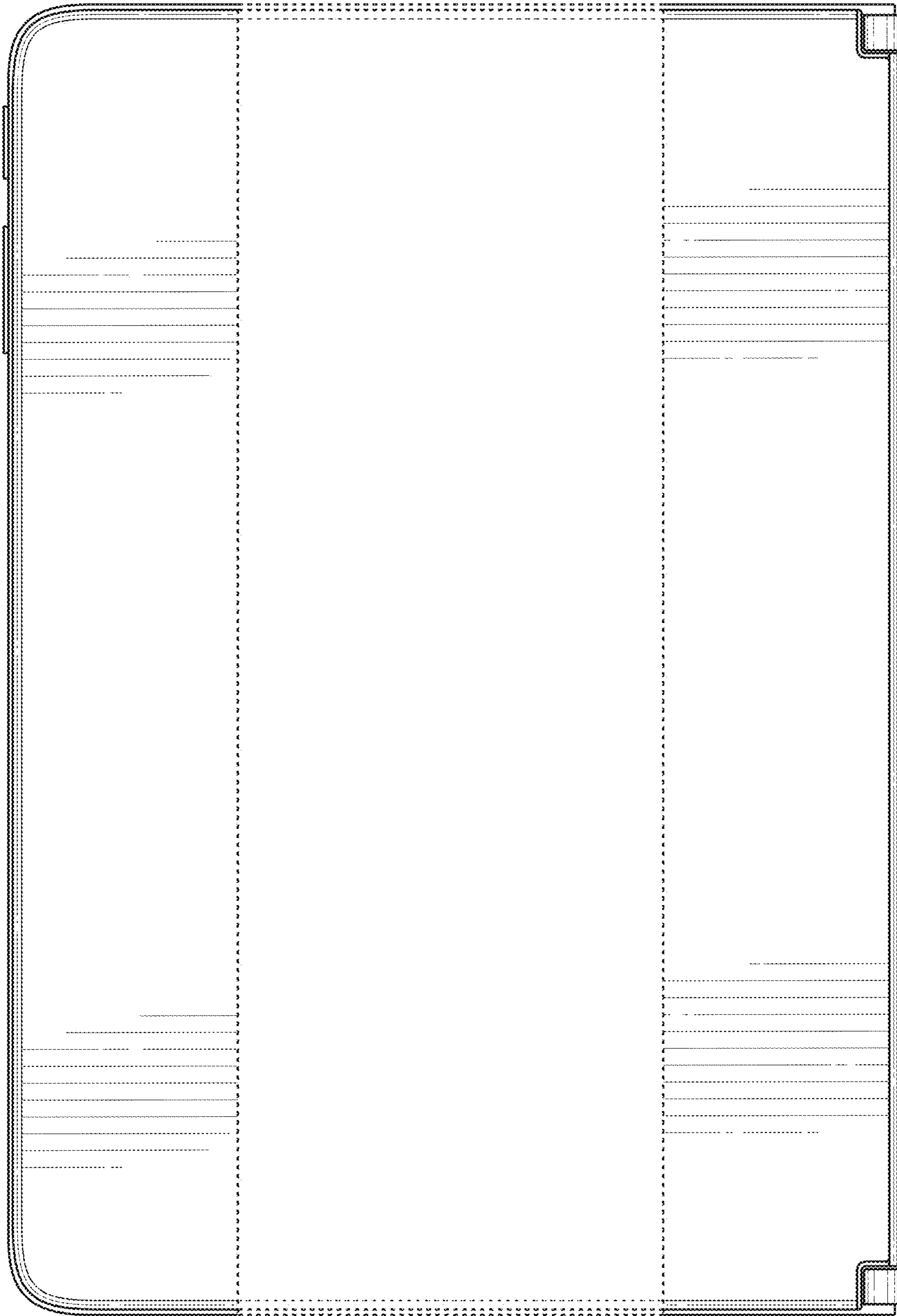


FIG. 3

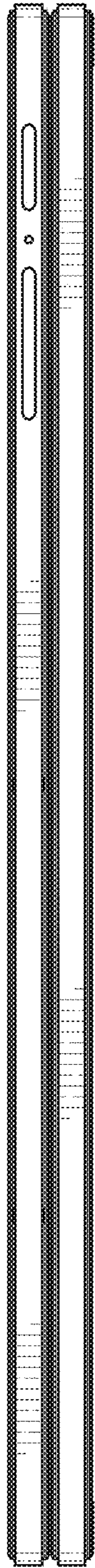


FIG. 4

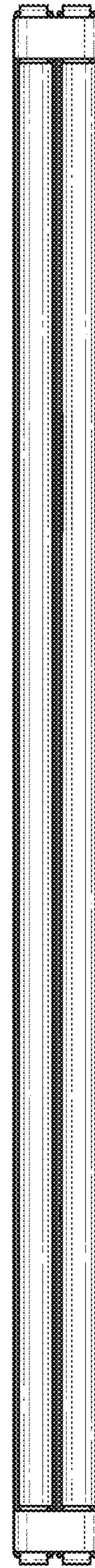


FIG. 5

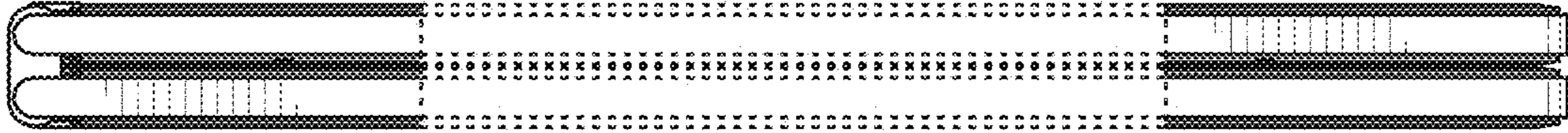


FIG. 7

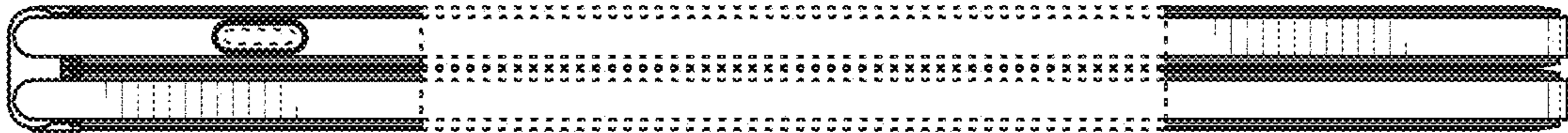


FIG. 6