



US00D976893S

(12) **United States Design Patent**
Maizate

(10) **Patent No.:** **US D976,893 S**

(45) **Date of Patent:** **** Jan. 31, 2023**

(54) **TELEPHONE HOLDER**
(71) Applicants: **Mehdi Maizate**, Goussainville (FR);
Makagency, Aulnay sous Bois (FR)
(72) Inventor: **Mehdi Maizate**, Goussainville (FR)
(**) Term: **15 Years**
(21) Appl. No.: **35/512,443**
(22) Filed: **Jul. 29, 2021**

(80) **Hague Agreement Data**

Int. Filing Date: **Jul. 29, 2021**
Int. Reg. No.: **DM/215874**
Int. Reg. Date: **Jul. 29, 2021**
Int. Reg. Pub. Date: **Aug. 27, 2021**

(51) **LOC (14) Cl.** **14-99**

(52) **U.S. Cl.**
USPC **D14/253**

(58) **Field of Classification Search**
USPC D14/251-253, 224, 224.1, 432-434, 447,
D14/451, 452; D12/114, 415, 426.1, 223,
D12/406, 407
CPC . B60R 11/02; B60R 11/0241; B60R 11/0252;
H04M 1/04
See application file for complete search history.

(56) **References Cited**

U.S. PATENT DOCUMENTS

D684,980 S * 6/2013 Chun D14/447
D685,804 S * 7/2013 Richter D14/447
D693,892 S * 11/2013 Bentley D3/218
D712,394 S * 9/2014 Booth D14/253

D772,859 S * 11/2016 Alesi D14/253
D777,422 S * 1/2017 Karl, IV D3/218
D791,117 S * 7/2017 Silva G03B 17/561
D14/253
D799,203 S * 10/2017 Karl, IV D3/218
D840,994 S * 2/2019 Balmer D14/253
D840,995 S * 2/2019 Balmer D14/253
D886,094 S * 6/2020 Xu D14/253
D903,653 S * 12/2020 Liu D14/253
D946,565 S * 3/2022 Liu D3/218
D959,419 S * 8/2022 Cheng D16/242
D963,636 S * 9/2022 Gan D14/253
2020/0361396 A1 * 11/2020 Fox B60R 11/02

* cited by examiner

Primary Examiner — Rebekah A Caruso

(57) **CLAIM**

The ornamental design for a telephone holder, as shown and described.

DESCRIPTION

The patent or application file contains at least one drawing executed in color. Copies of this patent or patent application publication with color drawing(s) will be provided by the Office upon request and payment of the necessary fee.

1. Telephone holder

1.1 : Perspective

1.2 : Right

1.3 : Front

1.4 : Back

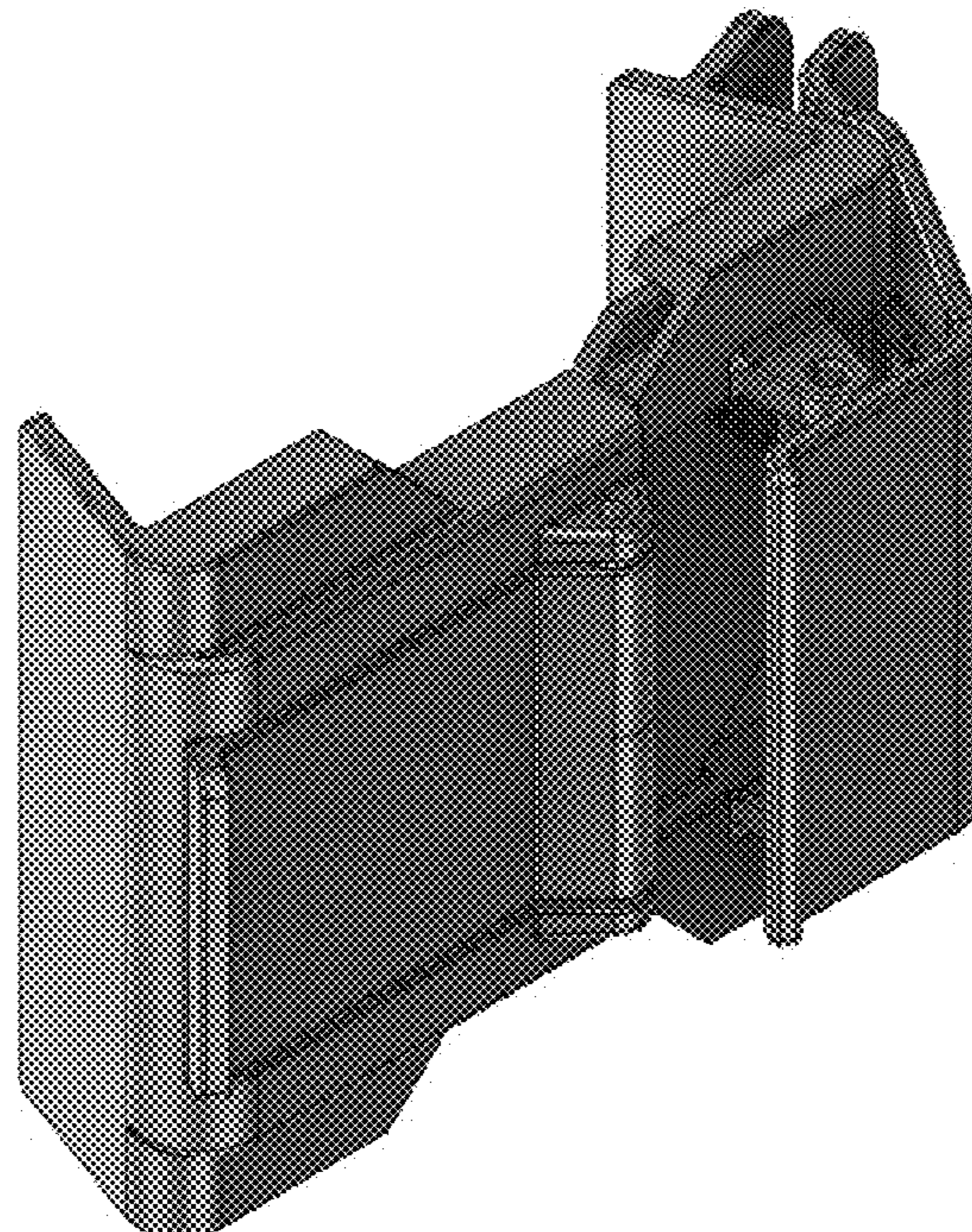
1.5 : Perspective

1.6 : Top

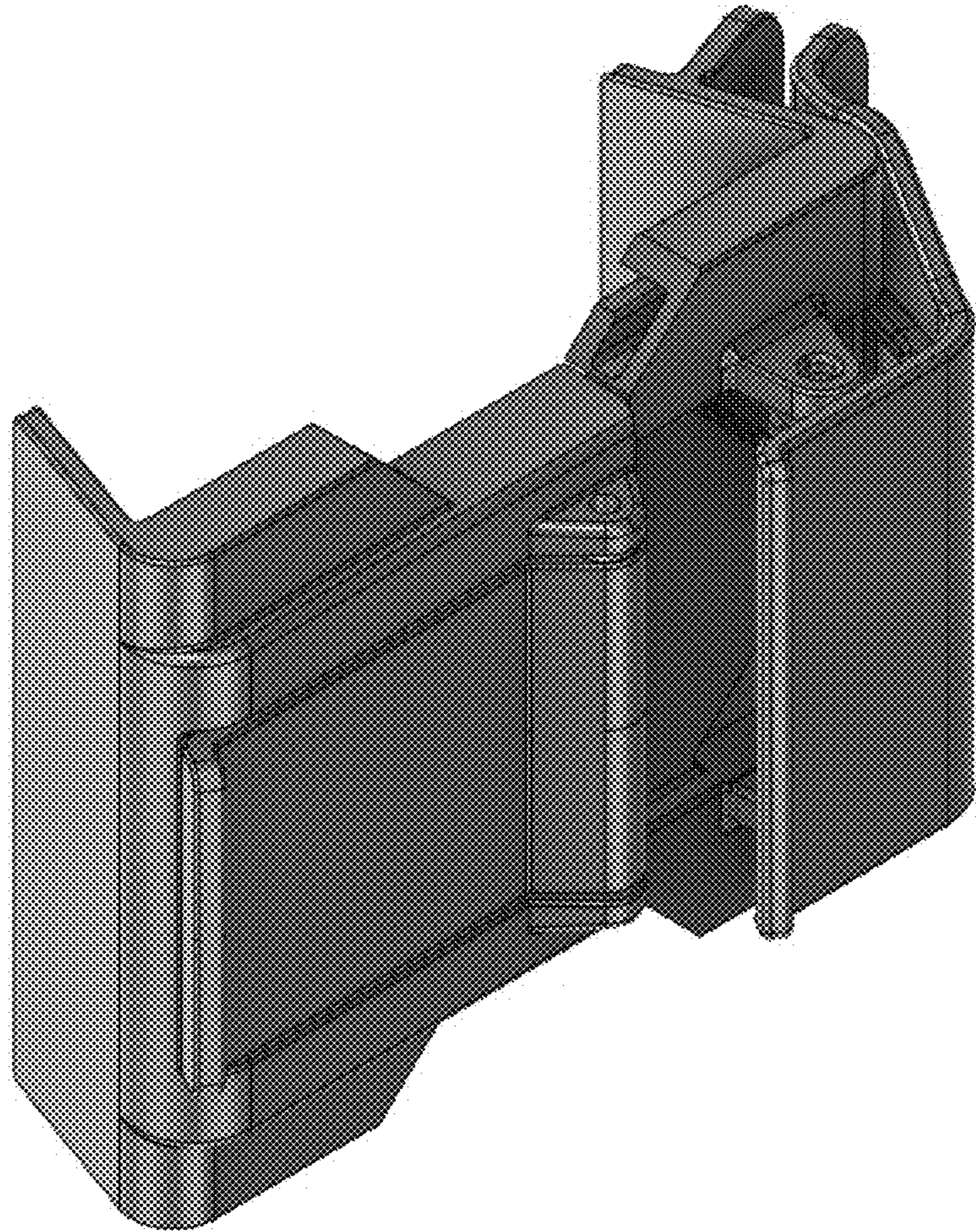
1.7 : Left

Smartphone holder for a fixed and portable computer screen.

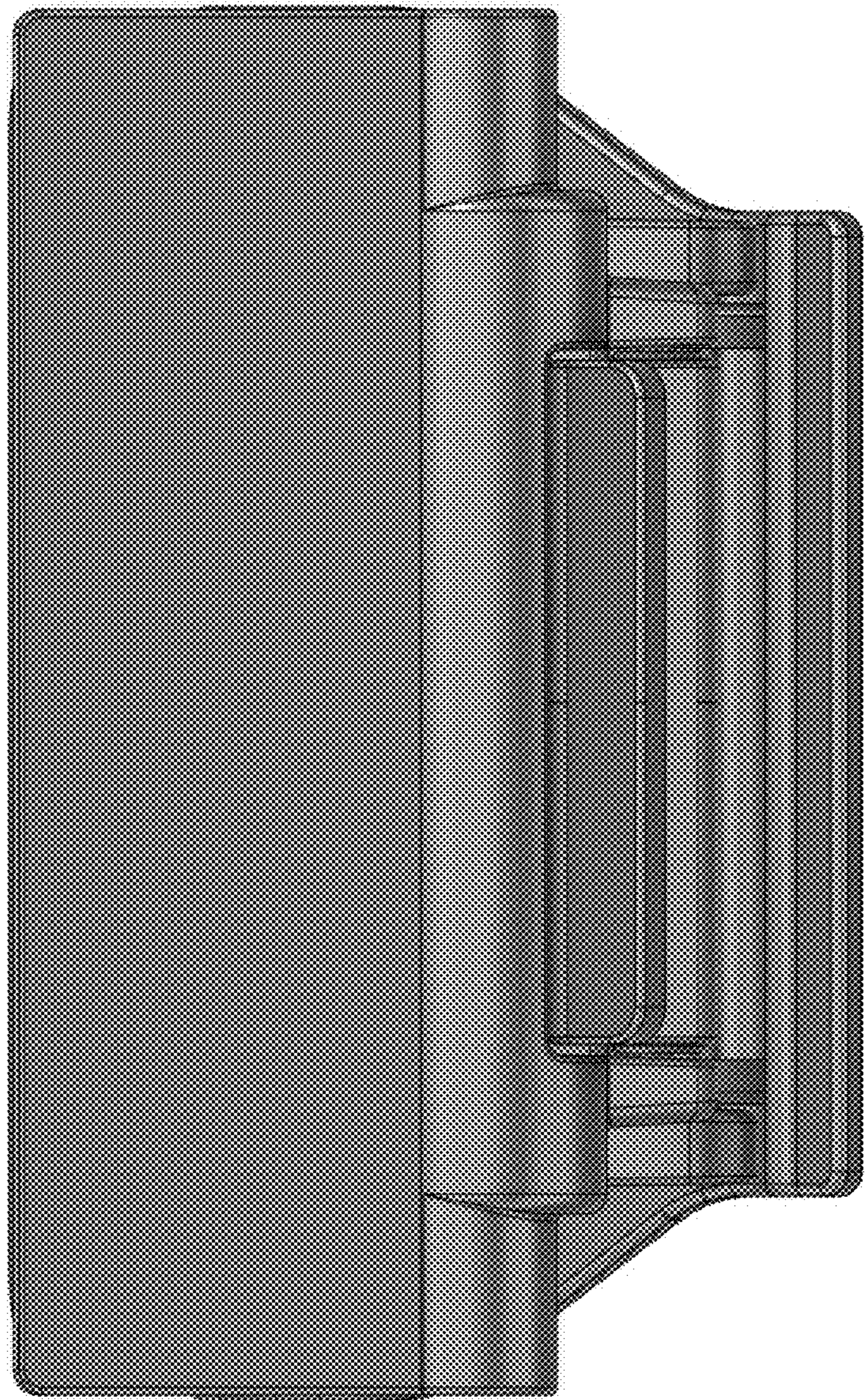
1 Claim, 7 Drawing Sheets
(7 of 7 Drawing Sheet(s) Filed in Color)



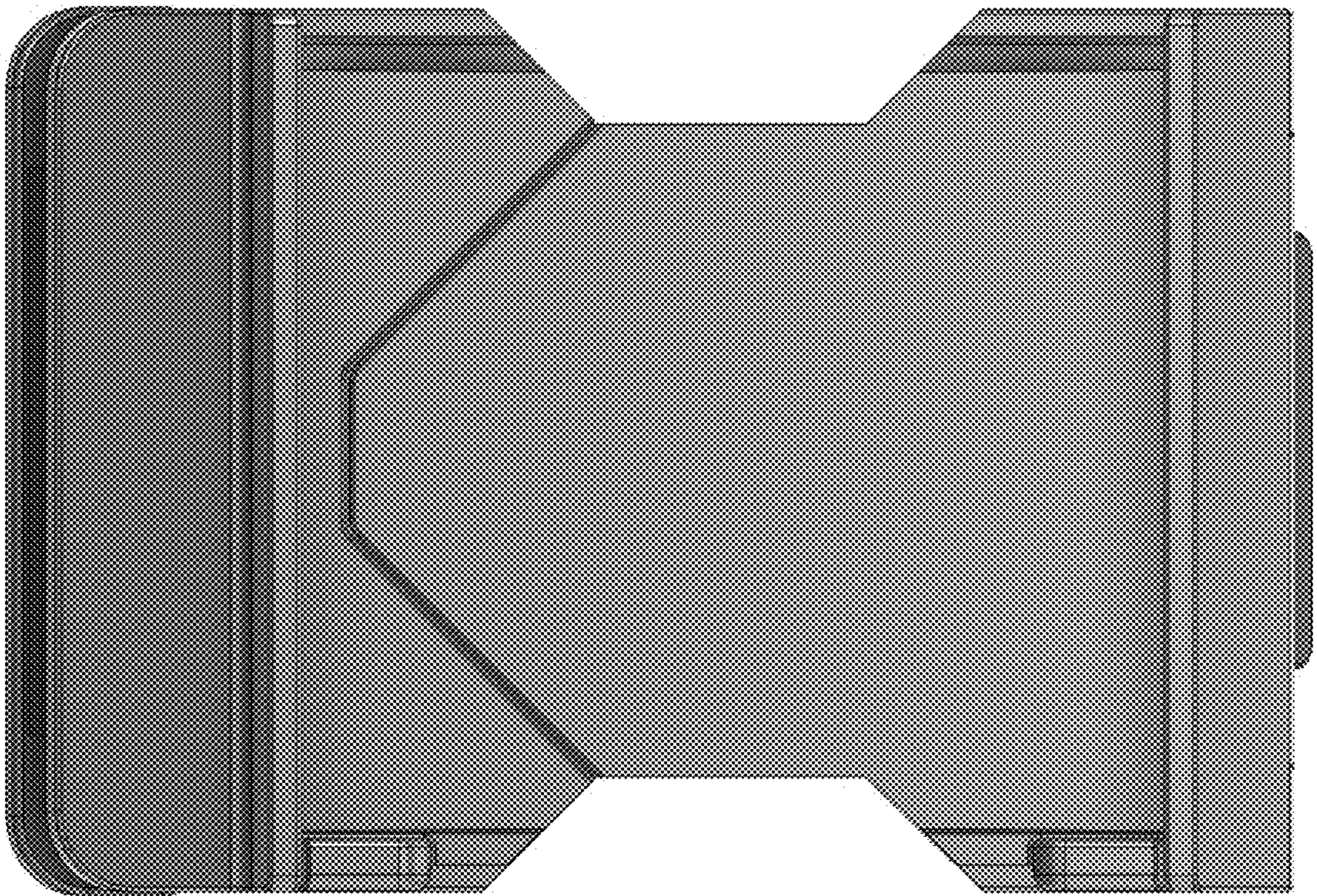
1.1



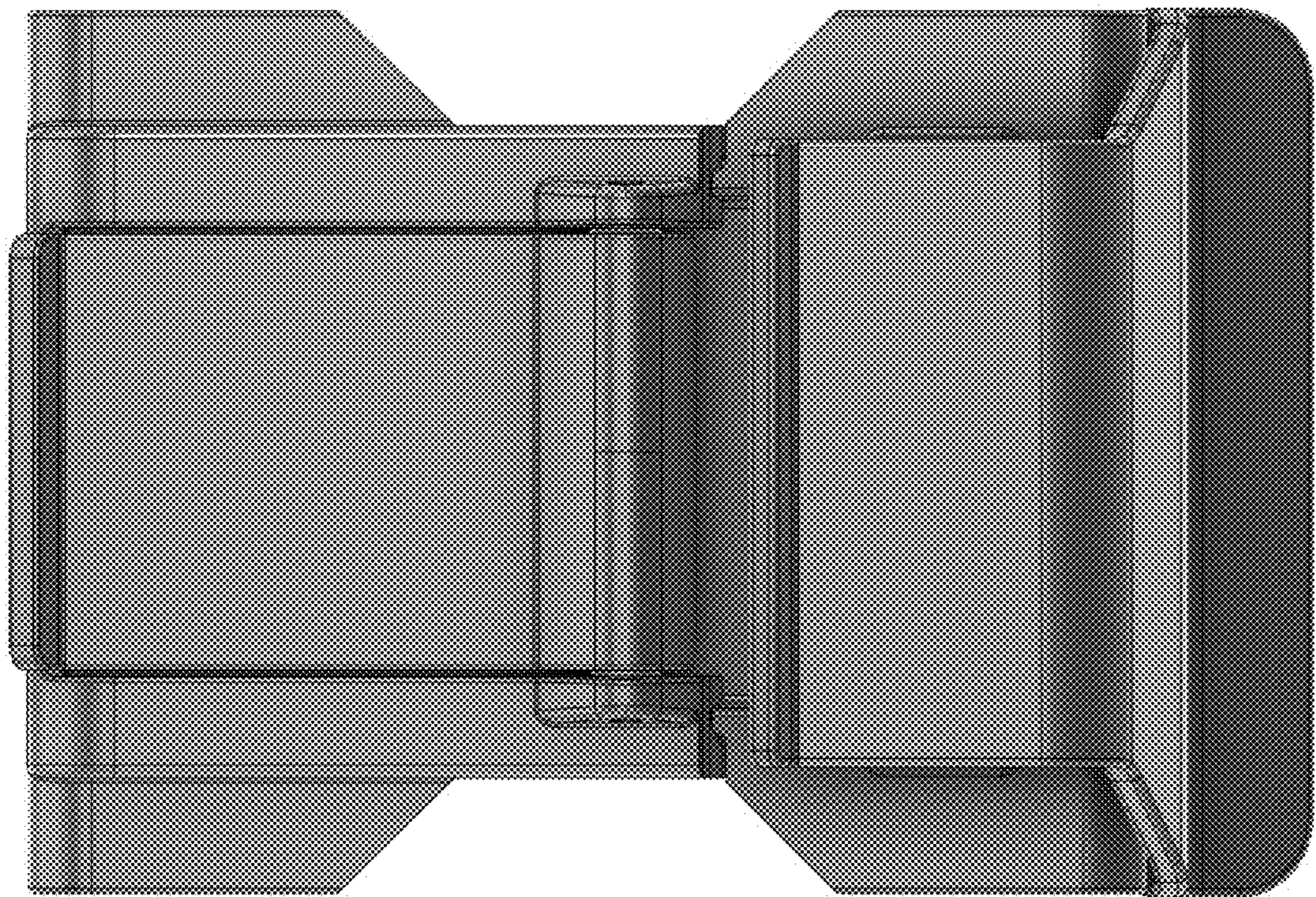
1.2



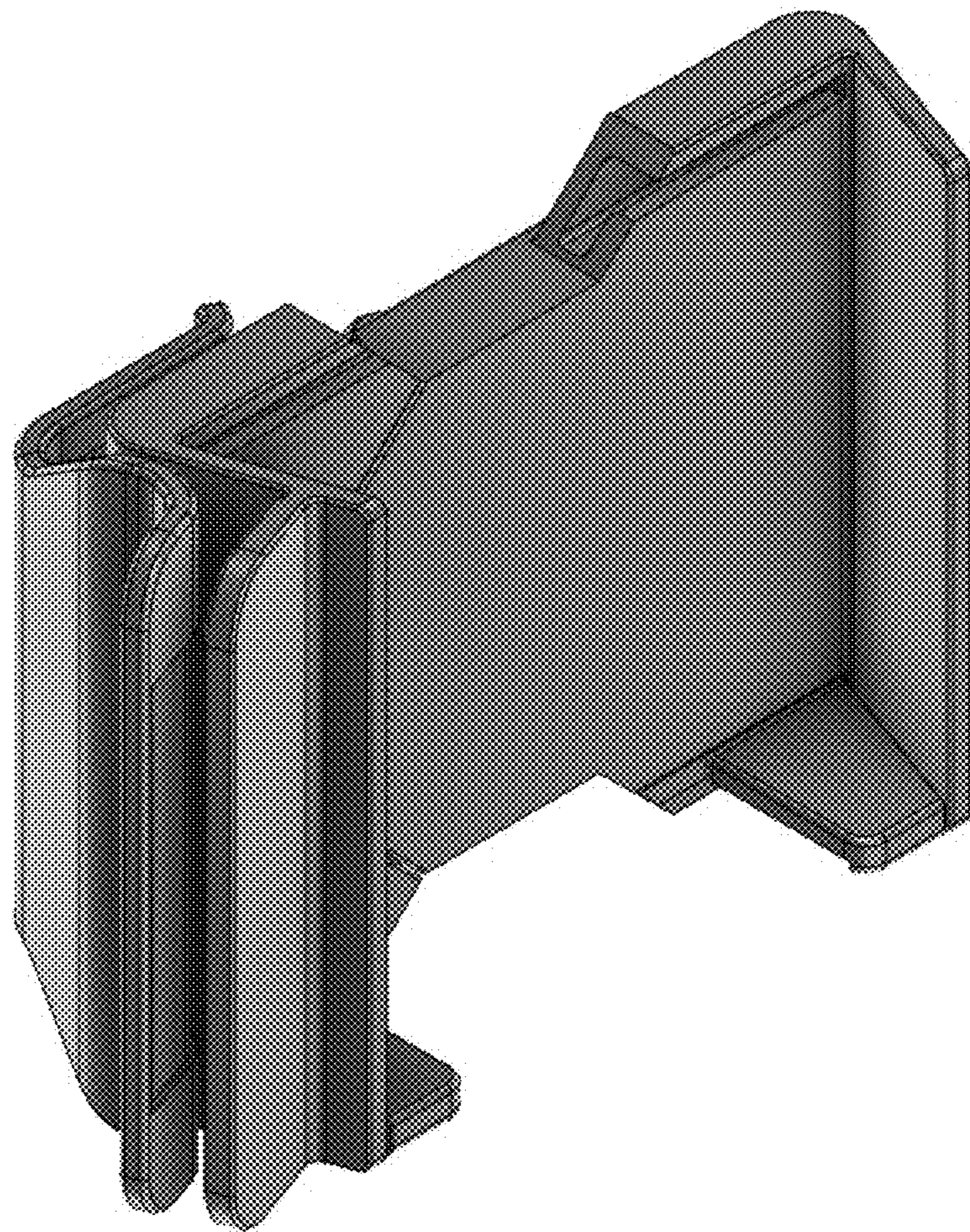
1.3



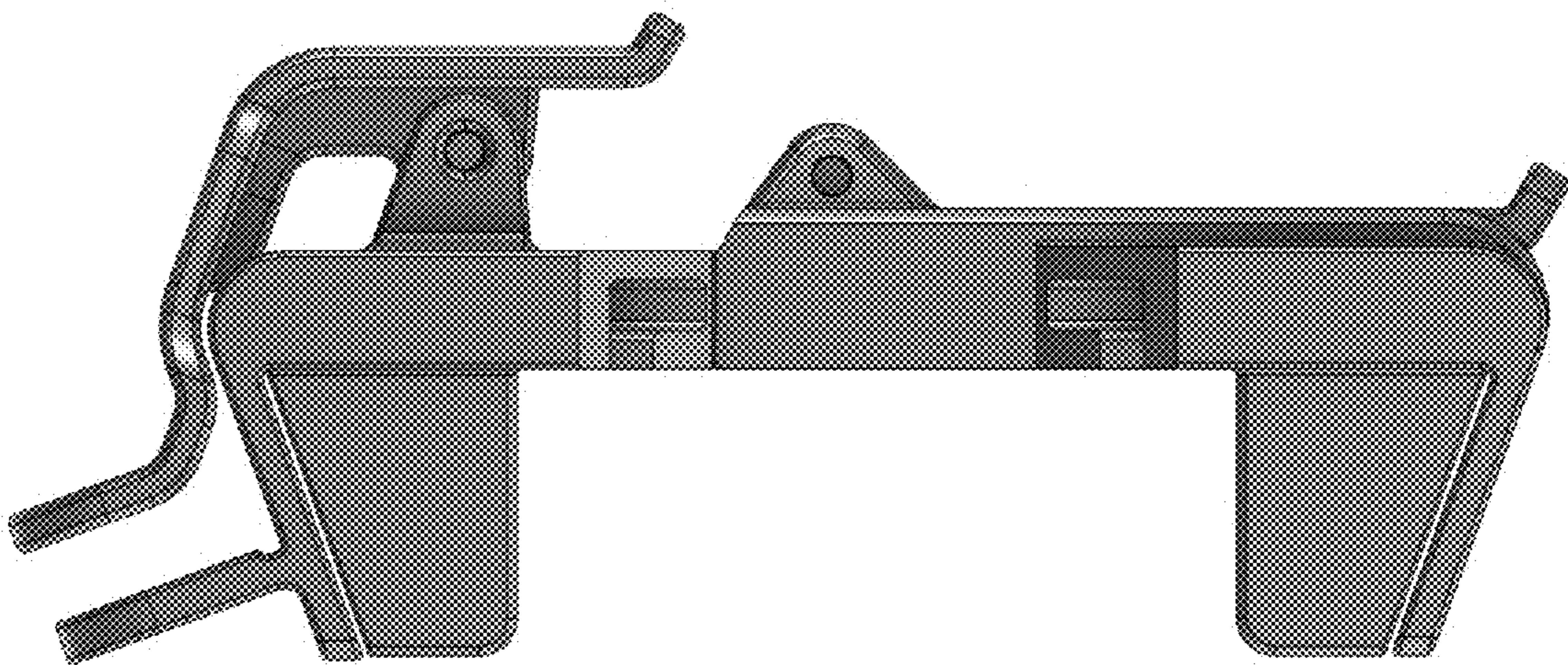
1.4



1.5



1.6



1.7

