



US00D976892S

(12) **United States Design Patent**
Luo

(10) **Patent No.:** **US D976,892 S**
(45) **Date of Patent:** **** Jan. 31, 2023**

- (54) **MOBILE PHONE HOLDER**
- (71) Applicant: **MingZi Luo**, Heyuan (CN)
- (72) Inventor: **MingZi Luo**, Heyuan (CN)
- (**) Term: **15 Years**
- (21) Appl. No.: **29/853,371**
- (22) Filed: **Sep. 15, 2022**
- (51) **LOC (14) Cl.** **14-03**
- (52) **U.S. Cl.**
USPC **D14/253; D12/415**
- (58) **Field of Classification Search**
USPC D14/356, 412–413, 432–434, 435.1, 447,
D14/451–452, 457, 142, 203.8, 209.1,
D14/217, 224, 224.1, 229, 238, 240,
D14/251–253; D12/400, 406, 415–418,
D12/422, 223; D3/218, 269; D9/455;
D6/553, 512; D16/242, 245; D8/355
CPC H04M 1/04; H04M 1/06; H04M 1/11;
H04M 1/12; H04M 1/14; H04M 1/13;
H04M 1/15; H04M 1/026; H04M 1/03;
H04M 1/0254; H04M 1/0249; H04M
1/0206; H04M 1/02; H04M 1/0202; A45F
2200/0516; A45F 2200/0525; G06F
1/1628
See application file for complete search history.

D936,645 S * 11/2021 Deng D12/114
D944,239 S * 2/2022 Li D12/415
D945,410 S 3/2022 Tang
(Continued)

OTHER PUBLICATIONS

Andrews, Stuart, Best car phone holder 2022, posted at ExpertReviews, posting date Jan. 18, 2022. Site visited Nov. 19, 2022. URL: <<https://www.expertreviews.co.uk/mobile-phones/1406375/best-car-phone-holder-the-best-windscreen-vent-and-dashboard-phone-holders>> (Year: 2022).*

(Continued)

Primary Examiner — Kathleen L Jones

(57) **CLAIM**

The ornamental design for a mobile phone holder, as shown and described.

DESCRIPTION

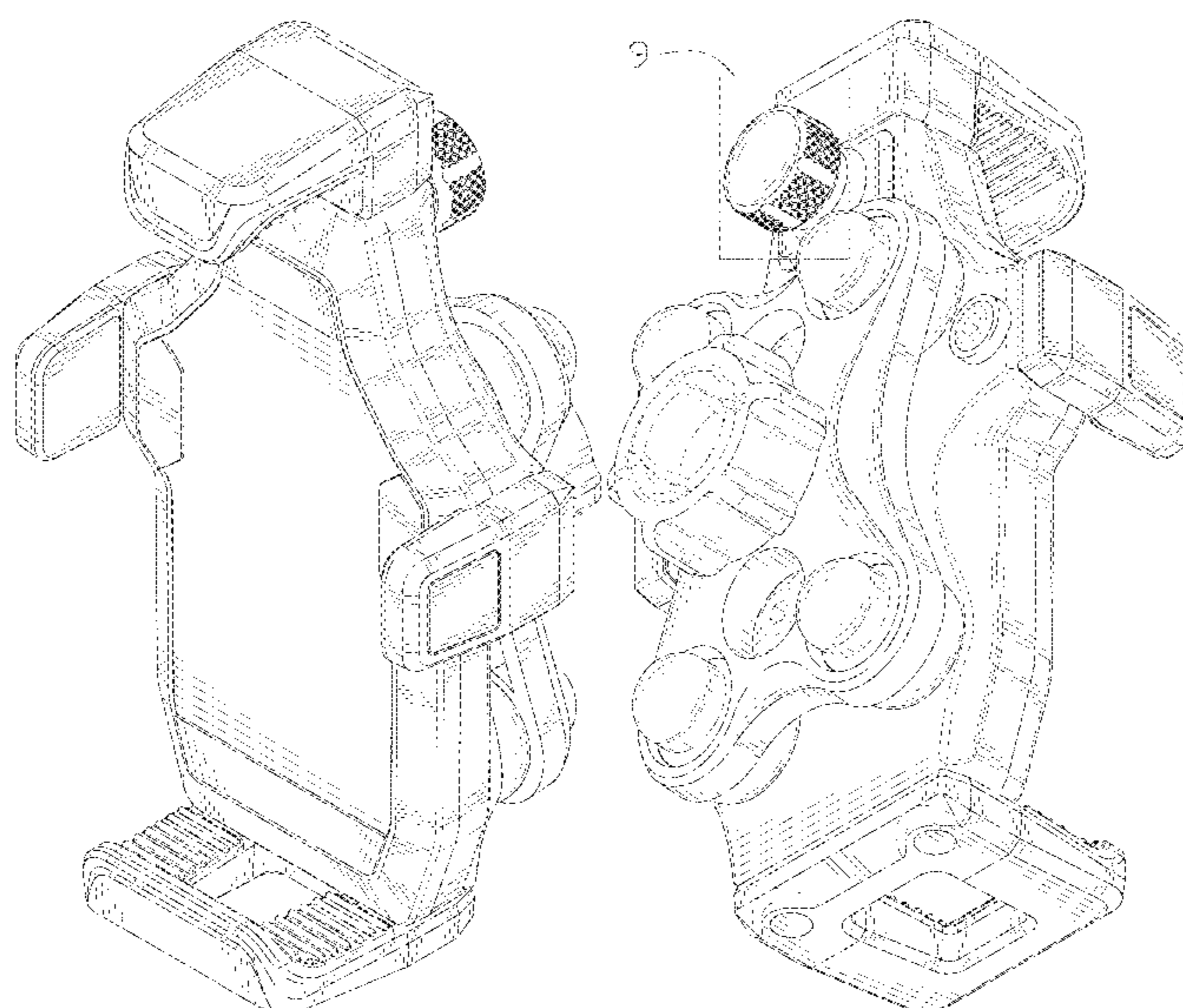
FIG. 1 is a front and top perspective view of a mobile phone holder, showing my new design;
FIG. 2 is a rear and bottom perspective view thereof;
FIG. 3 is a front elevation view thereof;
FIG. 4 is a rear elevation view thereof;
FIG. 5 is a left side elevation view thereof;
FIG. 6 is a right side elevation view thereof;
FIG. 7 is a top plan view thereof;
FIG. 8 is a bottom plan view thereof;
FIG. 9 is an enlarged perspective view of detail “9” identified in FIG. 2; and,
FIG. 10 is another perspective view thereof, shown in an alternative position.
The dashed lines in the figures illustrate portions of the mobile phone holder that form no part of the claimed design. The dash dot dash lines in FIGS. 2 and 9 are for the purpose of illustrating the enlarged views indicators and form no part of the claimed design.

1 Claim, 10 Drawing Sheets

(56) **References Cited**

U.S. PATENT DOCUMENTS

- D606,065 S * 12/2009 Rihu D14/253
- D817,317 S * 5/2018 Lee D14/253
- D832,248 S * 10/2018 Sukphist D14/253
- D863,205 S * 10/2019 Lin D12/415
- D877,688 S * 3/2020 Liu D12/415
- D892,787 S * 8/2020 Chen D14/253
- D896,215 S * 9/2020 Li D14/253
- D928,041 S * 8/2021 Jones D12/114
- D929,392 S * 8/2021 Shi D14/253
- D931,270 S * 9/2021 Qiu D14/253



(56)

References Cited

U.S. PATENT DOCUMENTS

D960,143 S * 8/2022 Wu D14/253
D960,144 S * 8/2022 Yuan D14/253

OTHER PUBLICATIONS

Best Cell Phone Holder for Car Reviews in 2022, posted at AutoBlog Commerce, posting date May 26, 2022. Site visited Nov. 19, 2022. URL: <<https://www.autoblog.com/article/cell-phone-holder-for-car/>> (Year: 2022).*

* cited by examiner

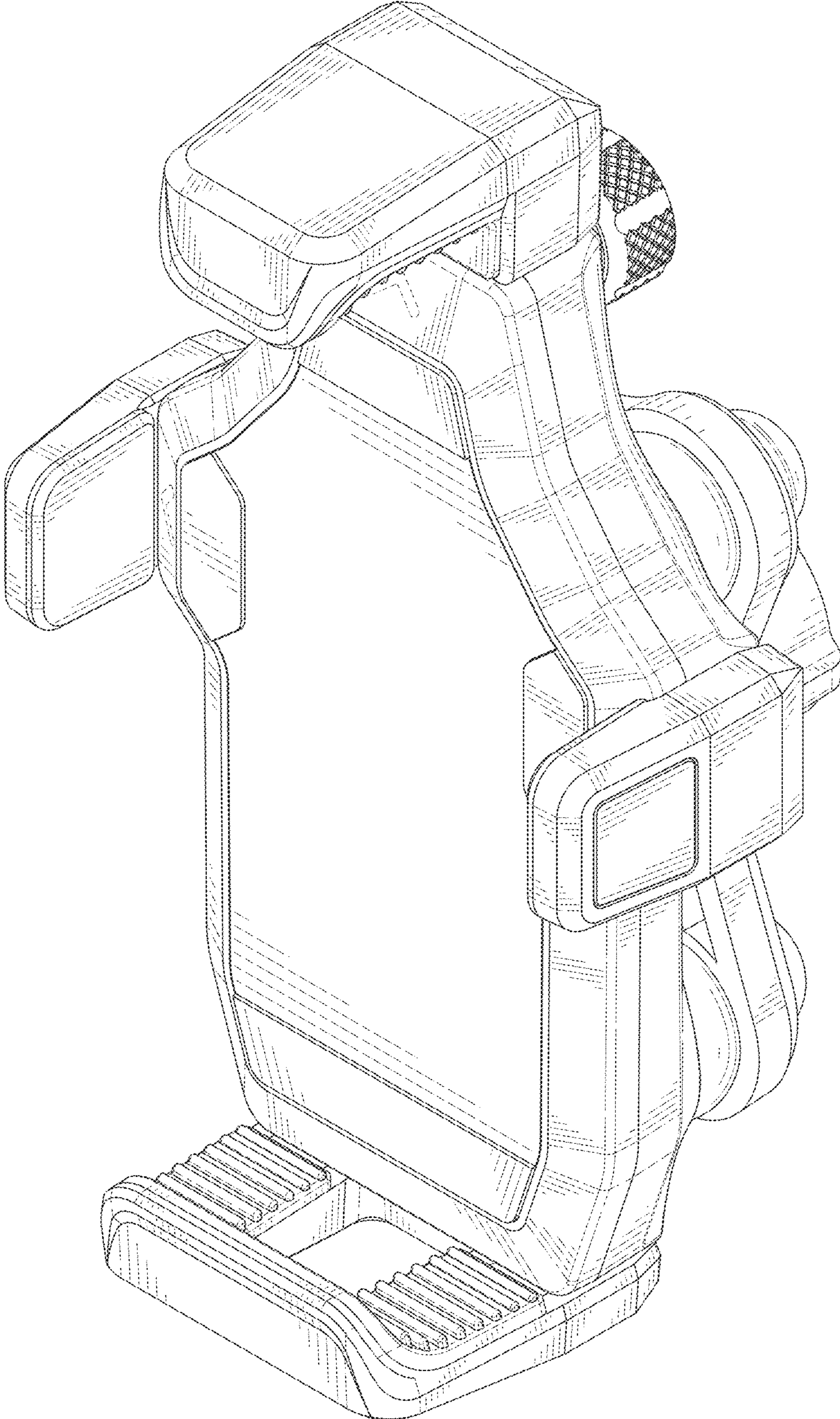


FIG. 1

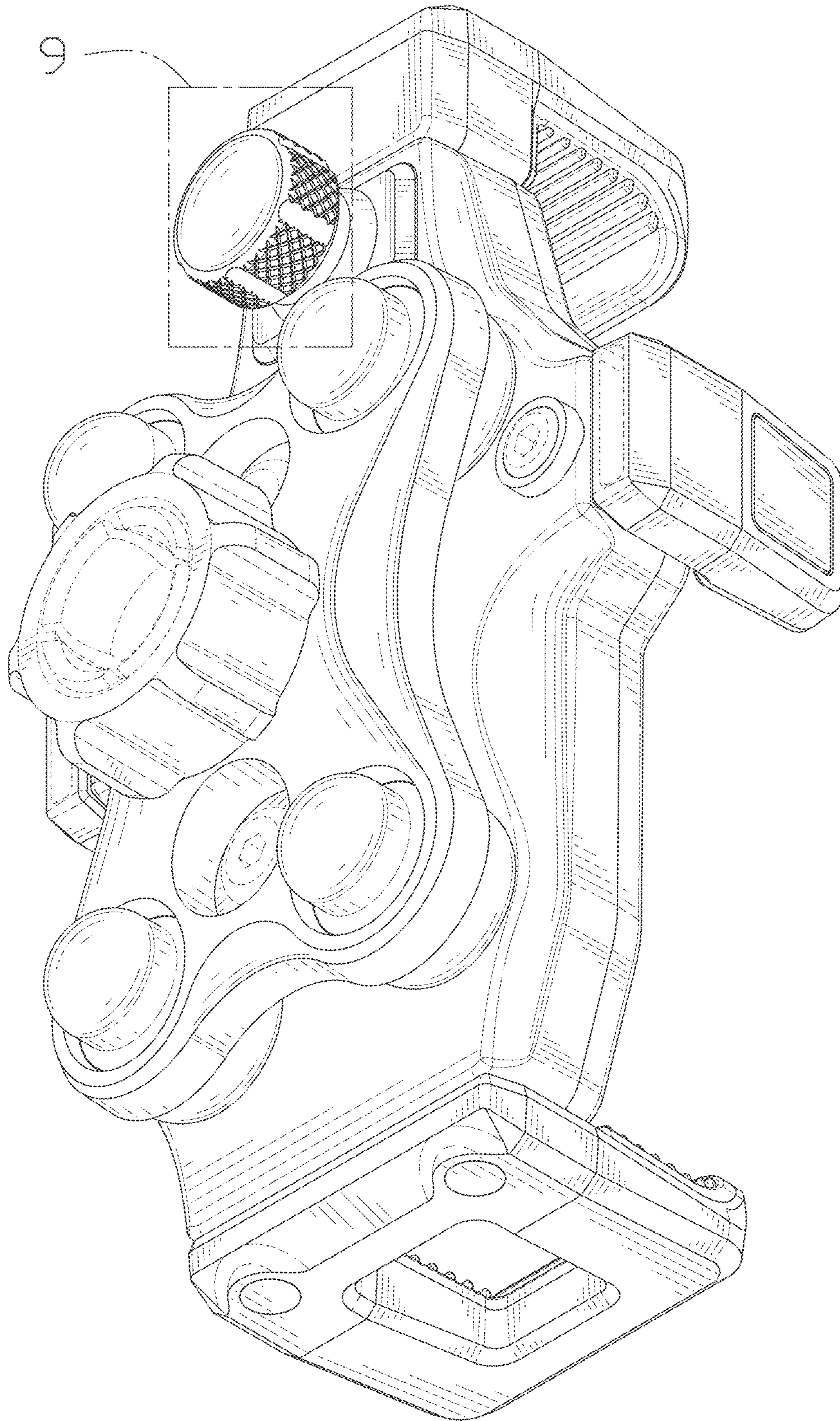


FIG. 2

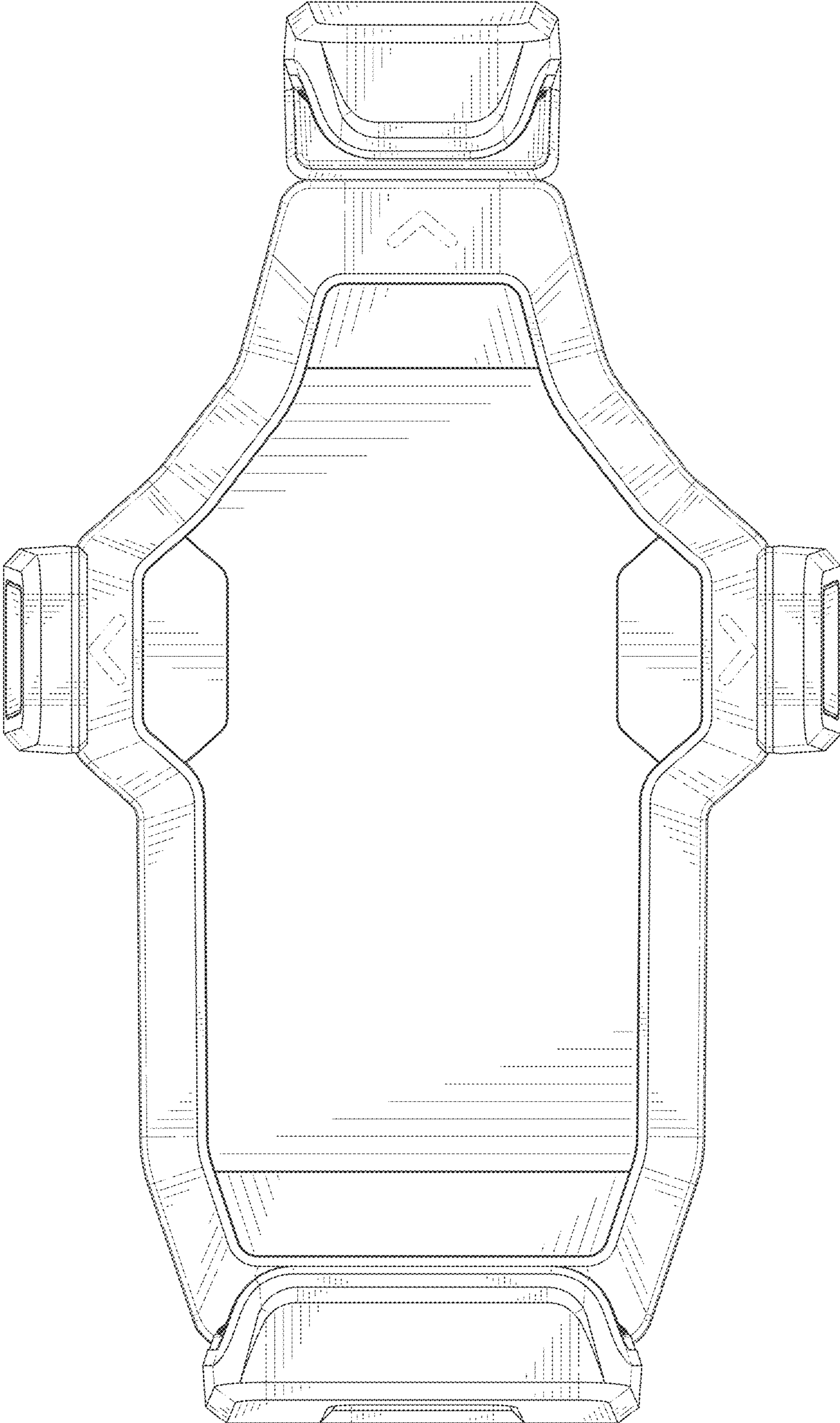


FIG. 3

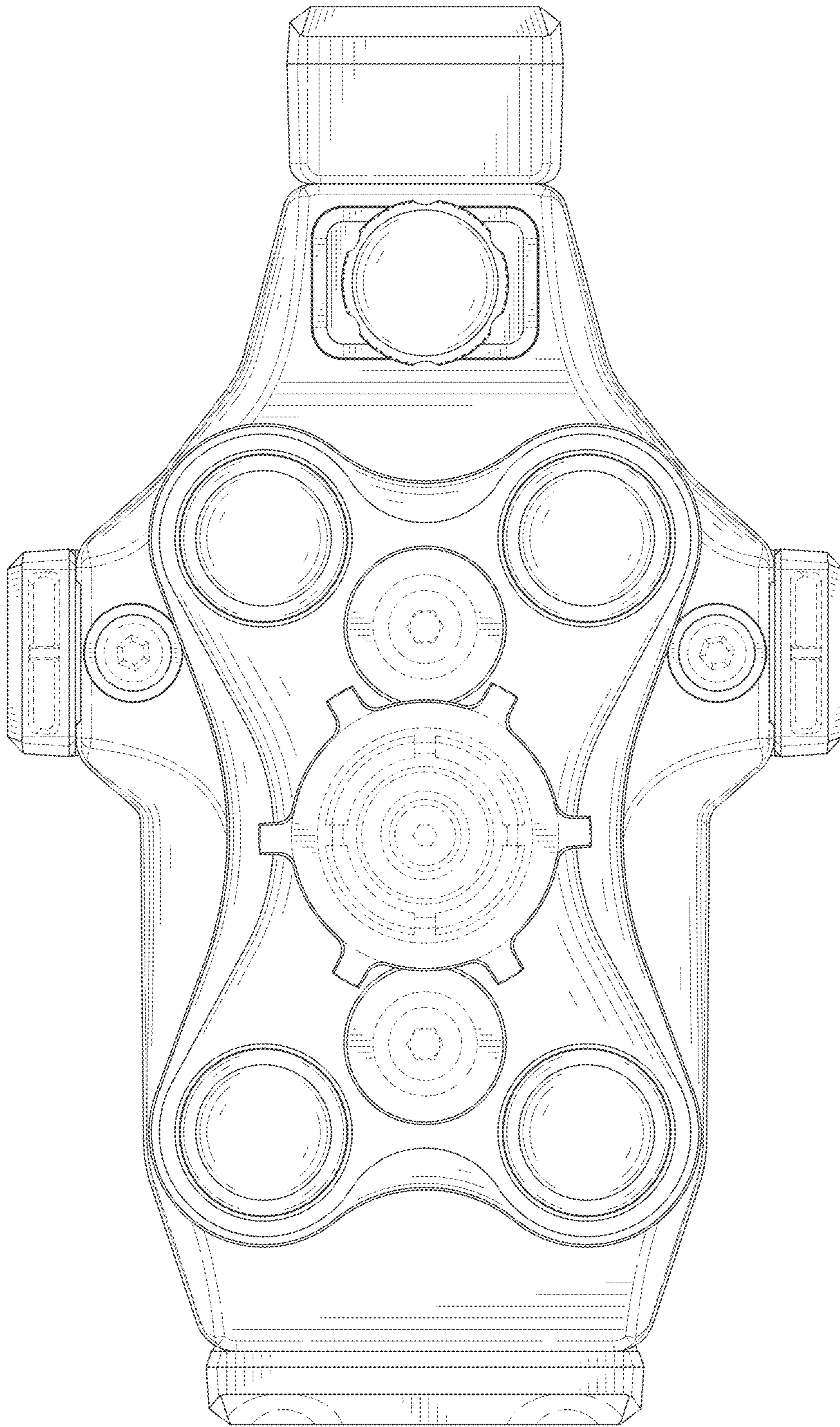


FIG. 4

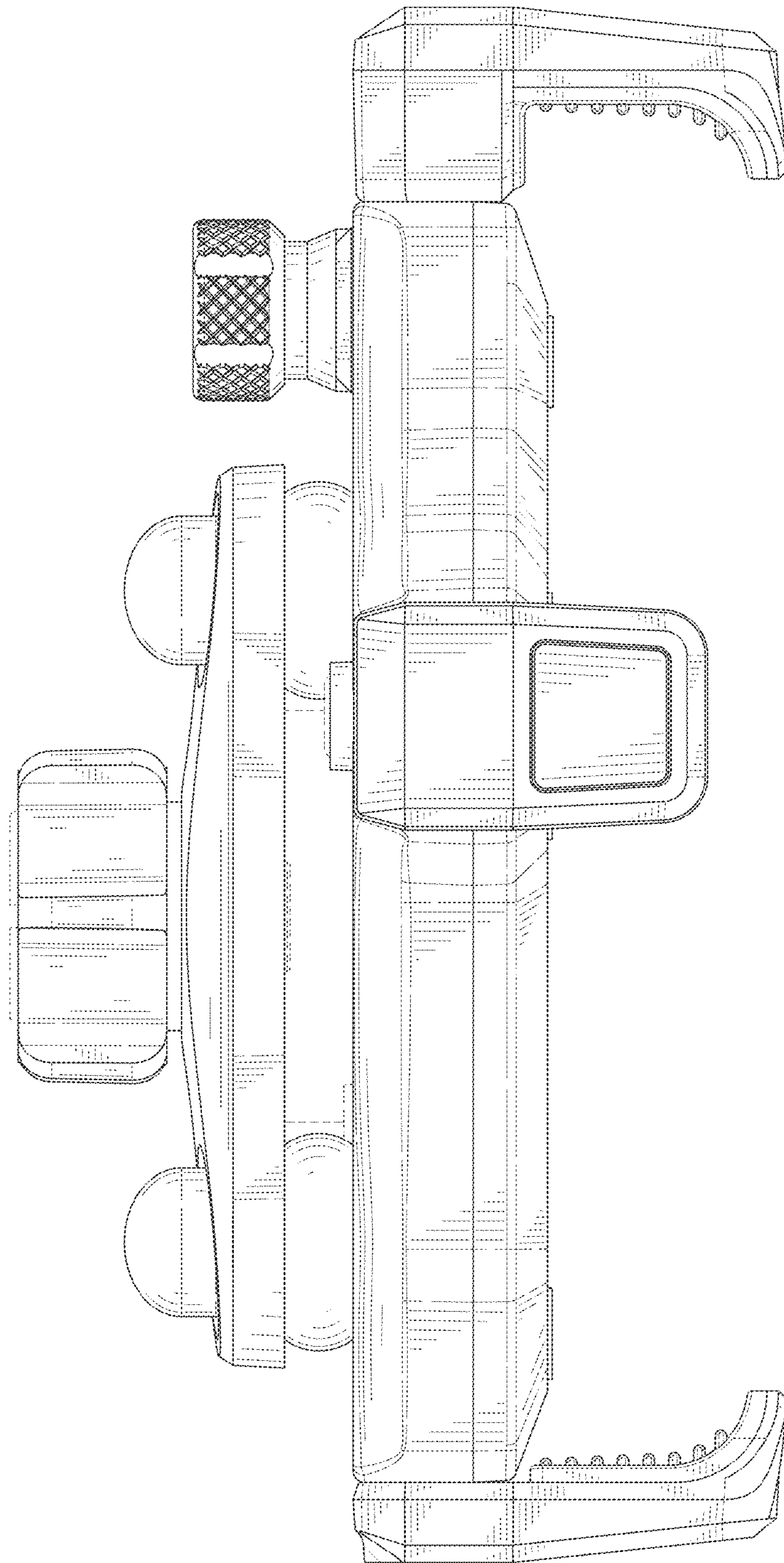


FIG. 5

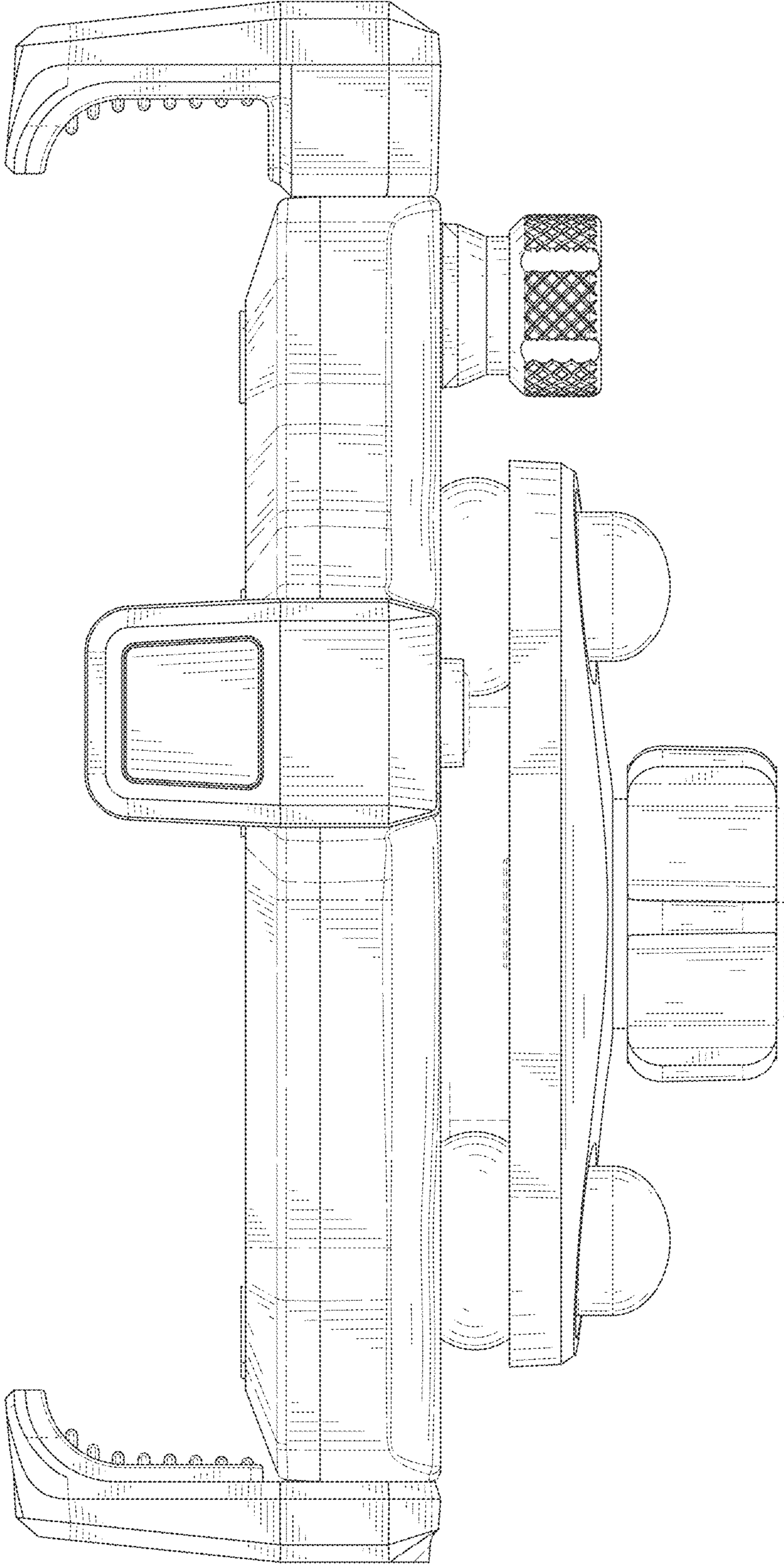


FIG. 6

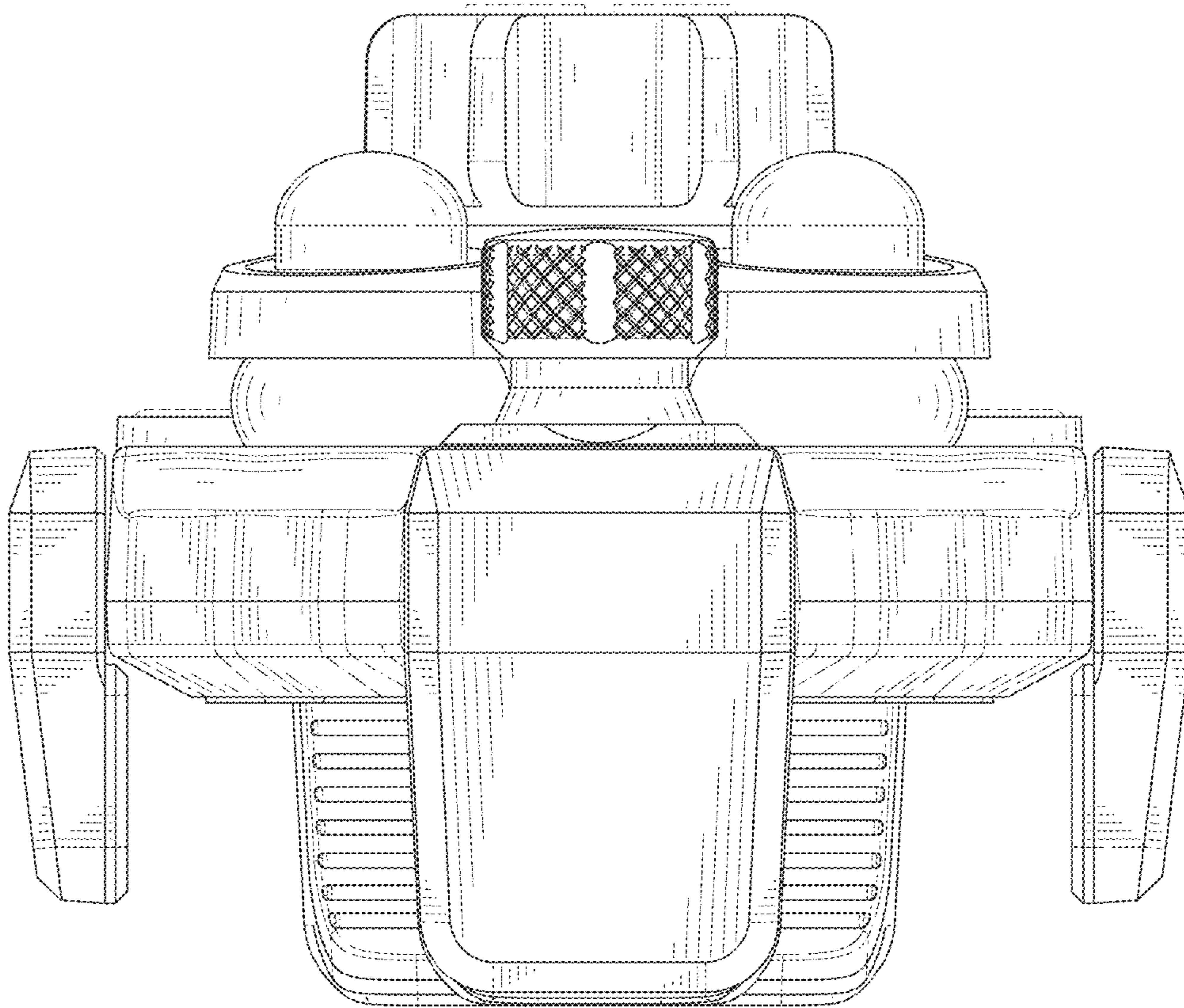


FIG. 7

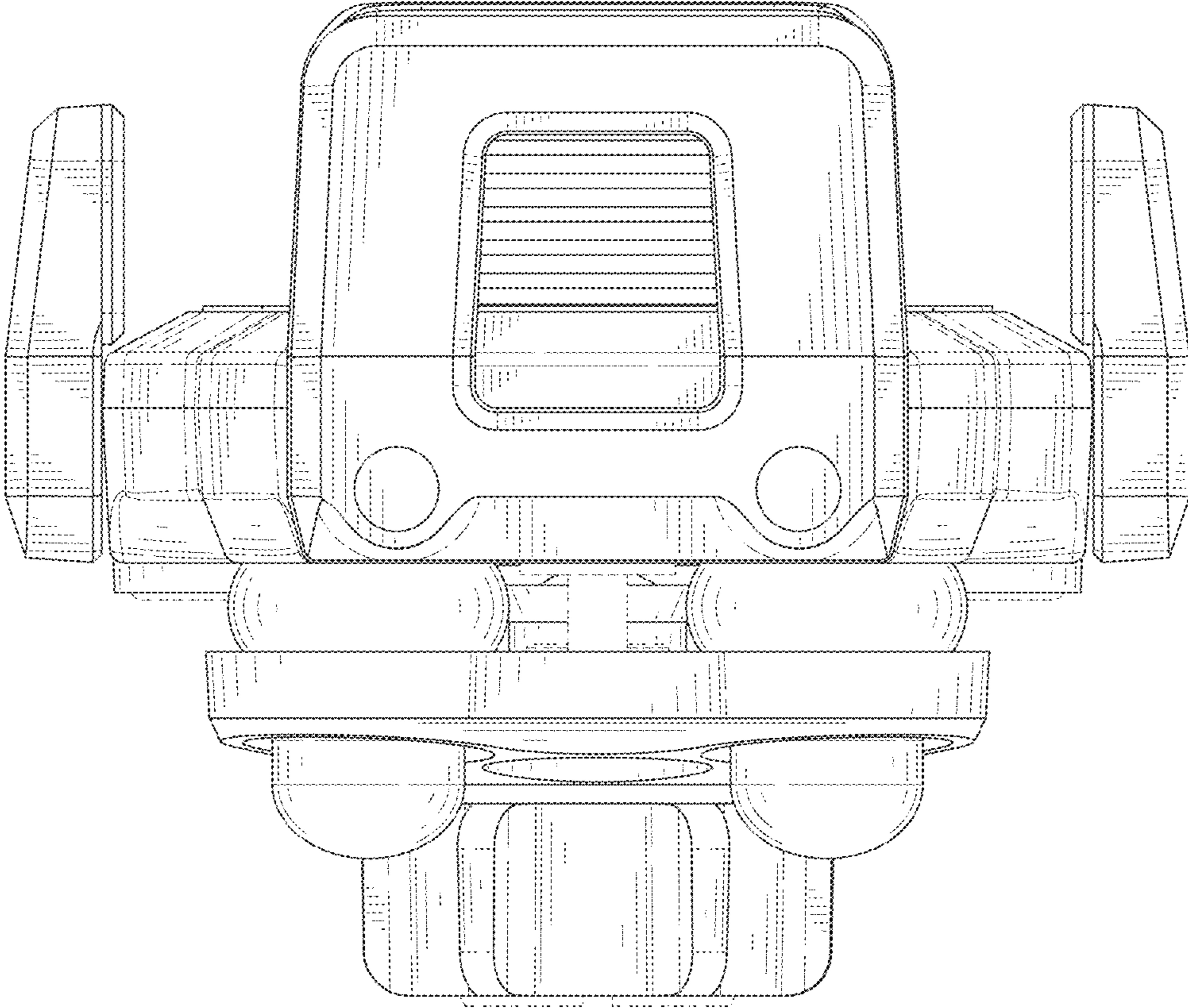


FIG. 8

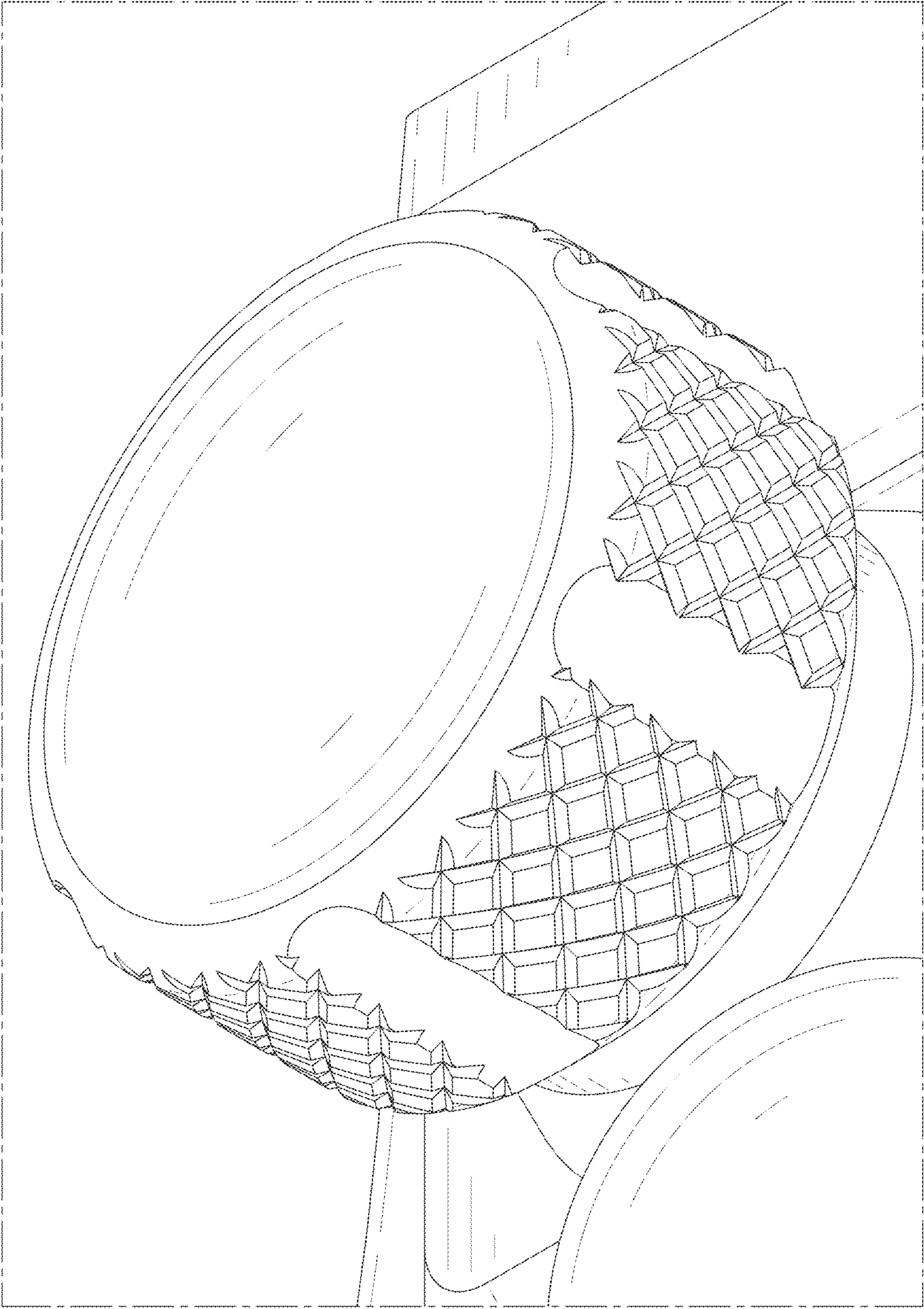


FIG. 9

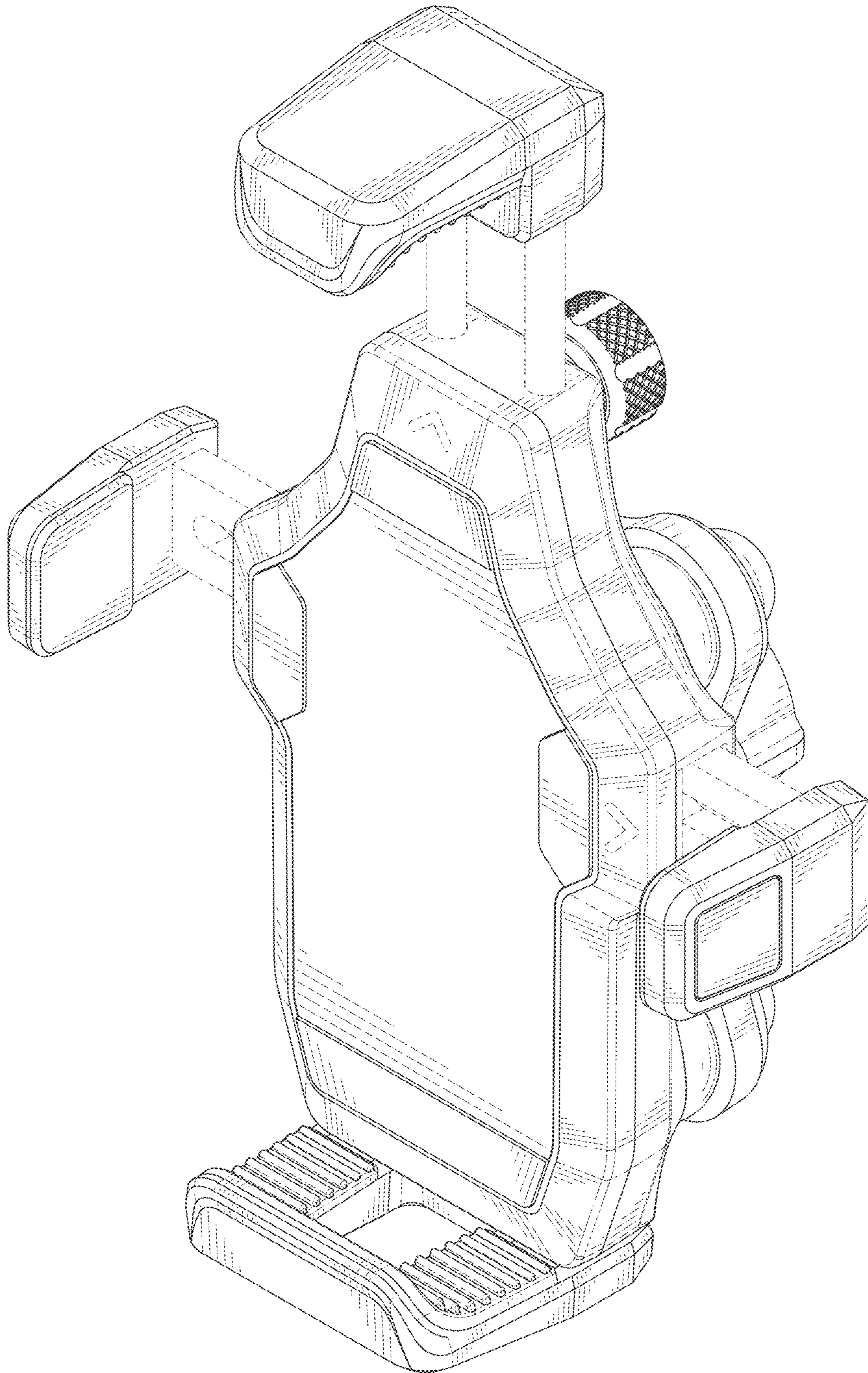


FIG. 10