



US00D976891S

(12) **United States Design Patent**  
**Liu**

(10) **Patent No.:** **US D976,891 S**  
(45) **Date of Patent:** **\*\* Jan. 31, 2023**

(54) **MOBILE PHONE HOLDER**  
(71) Applicant: **Sanyuan Liu**, Shenzhen (CN)  
(72) Inventor: **Sanyuan Liu**, Shenzhen (CN)  
(\*\*) Term: **15 Years**  
(21) Appl. No.: **29/808,363**  
(22) Filed: **Sep. 18, 2021**

D903,652 S \* 12/2020 Qiu ..... D14/253  
D916,694 S \* 4/2021 Xiao ..... D14/253  
D931,849 S \* 9/2021 Qiu ..... D14/253  
D949,841 S \* 4/2022 Qiu ..... D12/407  
D949,842 S \* 4/2022 Qiu ..... D12/407  
D959,420 S \* 8/2022 Gan ..... D14/253  
2014/0061270 A1\* 3/2014 Richter ..... B62J 11/00  
224/420

**Related U.S. Application Data**

(63) Continuation-in-part of application No. 29/797,278, filed on Jun. 30, 2021.  
(51) **LOC (14) Cl.** ..... **14-03**  
(52) **U.S. Cl.**  
USPC ..... **D14/253**  
(58) **Field of Classification Search**  
USPC ..... D14/217, 248, 251, 252, 253, 432, 434,  
D14/440, 447, 457; D12/114, 223, 400,  
D12/407, 415, 425  
CPC ..... A45F 2200/0516; A45F 2200/0525; A45F  
2200/0508; A45F 2200/025; B62J 50/225  
See application file for complete search history.

**References Cited**

**U.S. PATENT DOCUMENTS**

D653,190 S \* 1/2012 Richter ..... D12/407  
D684,980 S \* 6/2013 Chun ..... D14/447  
D693,352 S \* 11/2013 Gelsomini ..... D14/447  
D724,598 S \* 3/2015 Gelsomini ..... D14/447  
8,998,048 B1 \* 4/2015 Wu ..... F16M 13/02  
224/443  
D753,126 S \* 4/2016 Alesi ..... D14/447  
9,476,439 B1 \* 10/2016 Liao ..... H04M 1/04  
D780,743 S \* 3/2017 Chun ..... D14/447  
D862,454 S \* 10/2019 Chun ..... D12/415  
D897,334 S \* 9/2020 Peng ..... D14/253

**OTHER PUBLICATIONS**

Amazon.com \_ Axiba Bike Phone Mount Holder, first available Jun. 6, 2020 [online], retrieved Sep. 9, 2022, available at URL: <https://a.co/d/7MlrB92> (Year: 2020).\*  
Amazon.com \_ Besportble Fish Finder Mount, first available Jul. 6, 2020 [online], retrieved Sep. 9, 2022, available at URL: <https://a.co/d/9GLSVxA> (Year: 2020).\*

(Continued)

*Primary Examiner* — Wendy L Arminio  
*Assistant Examiner* — Carrie S Gelula

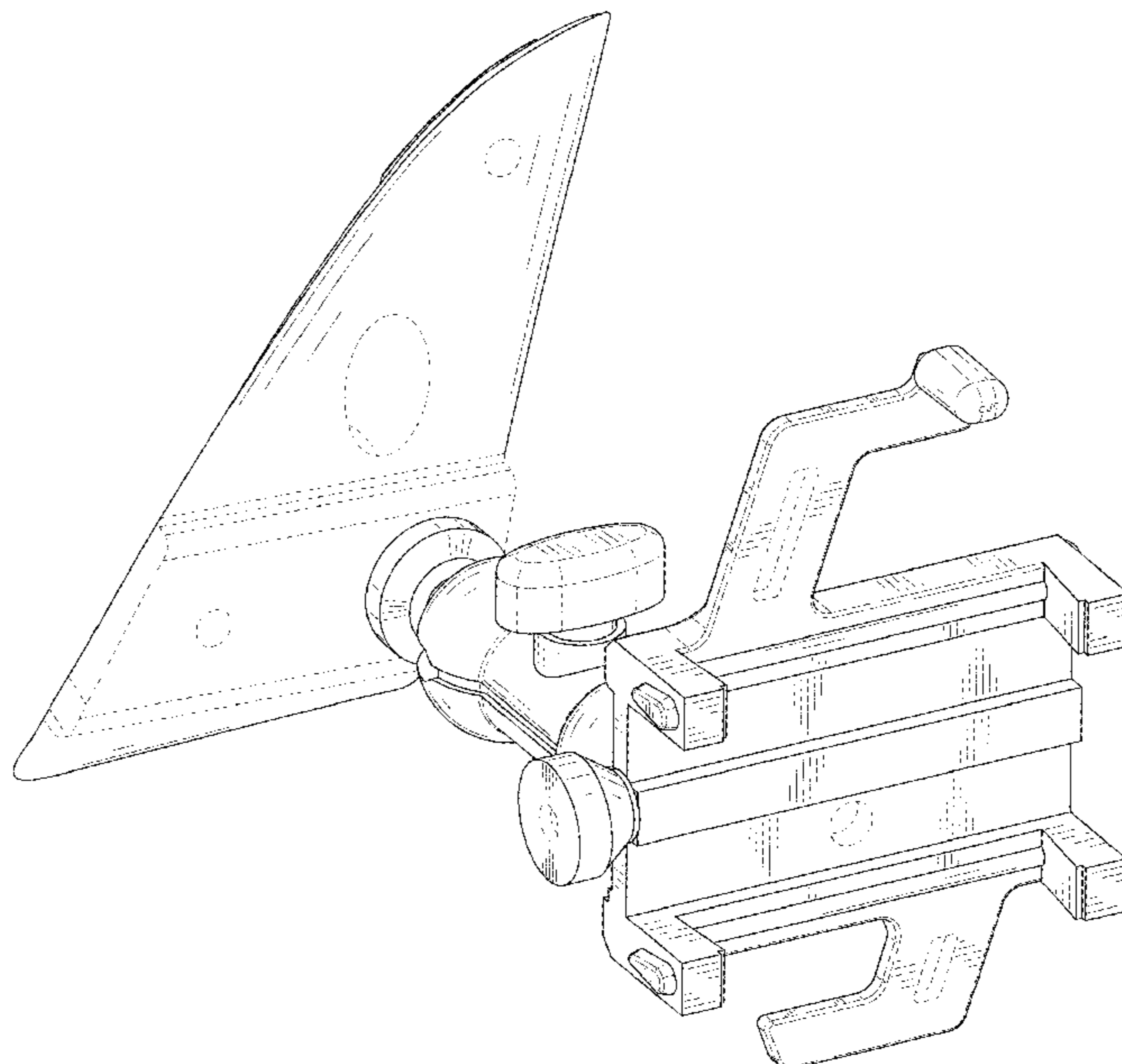
(57) **CLAIM**

The ornamental design for a mobile phone holder, as shown and described.

**DESCRIPTION**

FIG. 1 is a perspective view of a mobile phone holder showing my new design;  
FIG. 2 is another perspective view thereof;  
FIG. 3 is a front elevational view thereof;  
FIG. 4 is a rear elevational view thereof;  
FIG. 5 is a left side elevational view thereof;  
FIG. 6 is a right side elevational view thereof;  
FIG. 7 is a top plan view thereof; and,  
FIG. 8 is a bottom plan view thereof.  
The broken lines in the drawings depict portions of the mobile phone holder that form no part of the claimed design.

**1 Claim, 8 Drawing Sheets**



(56)

**References Cited**

OTHER PUBLICATIONS

Amazon.com\_ iBolt TabDock Bizmount AMPs—Heavy Duty Drill Base Mount, first available Mar. 19, 2018 [online], retrieved Sep. 9, 2022, available at URL: <https://a.co/d/0LBUowE> (Year: 2018).\*

Amazon.com\_ Rockbros Bike Phone Holder, first available Apr. 1, 2020 [online], retrieved Aug. 24, 2022, available at URL: <https://a.co/d/1bK1uTa> (Year: 2020).\*

\* cited by examiner

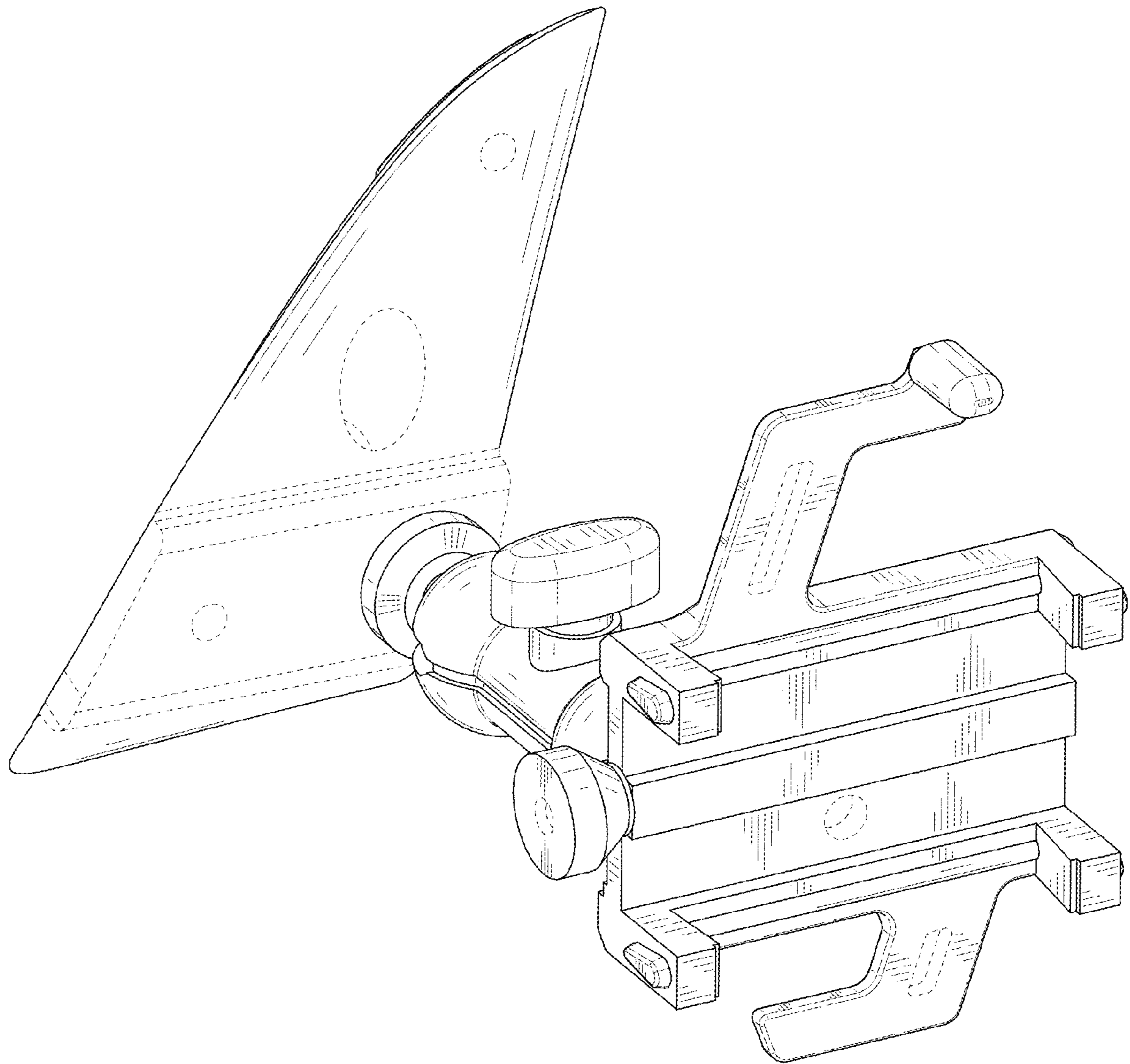


FIG. 1

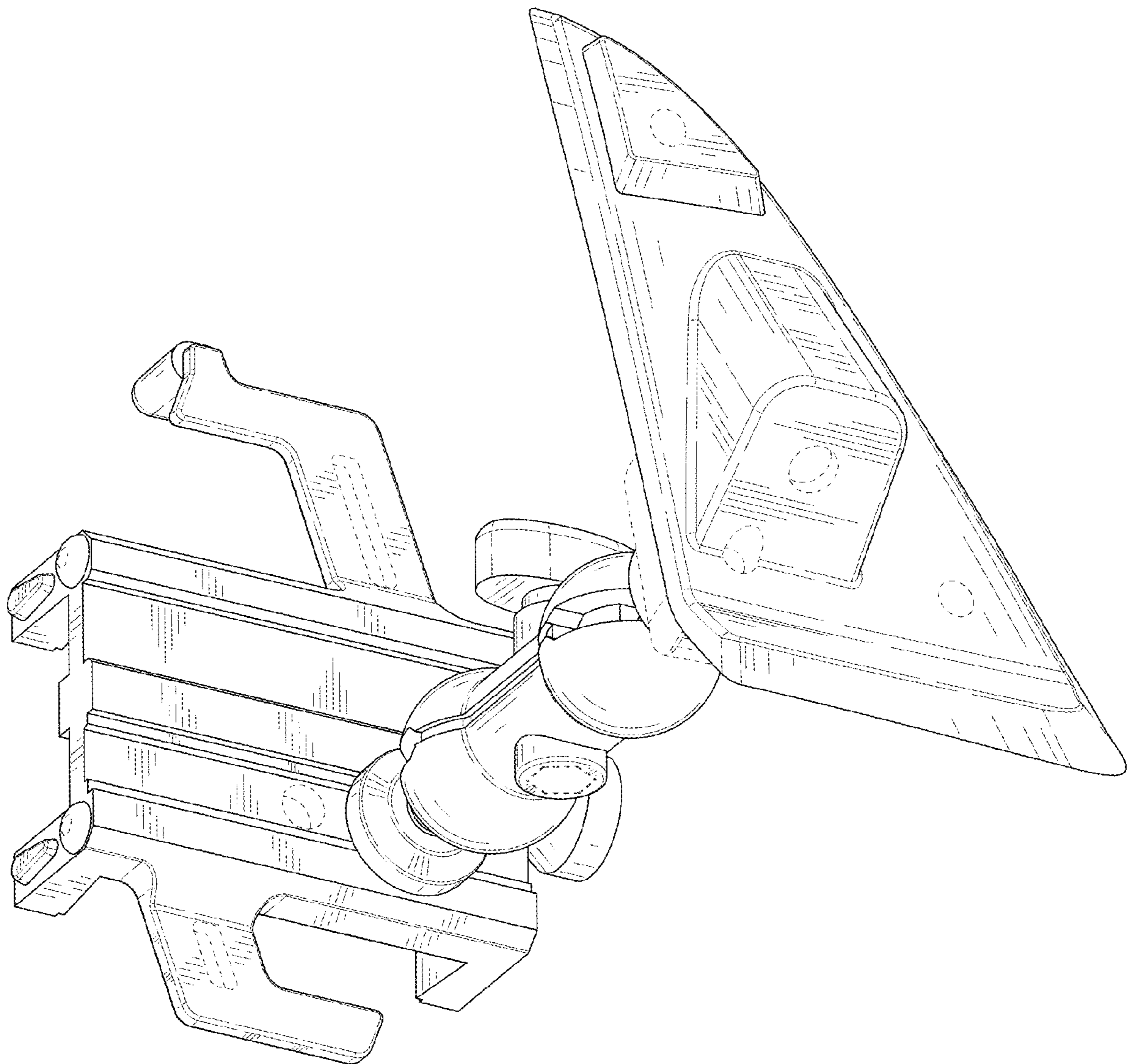


FIG. 2

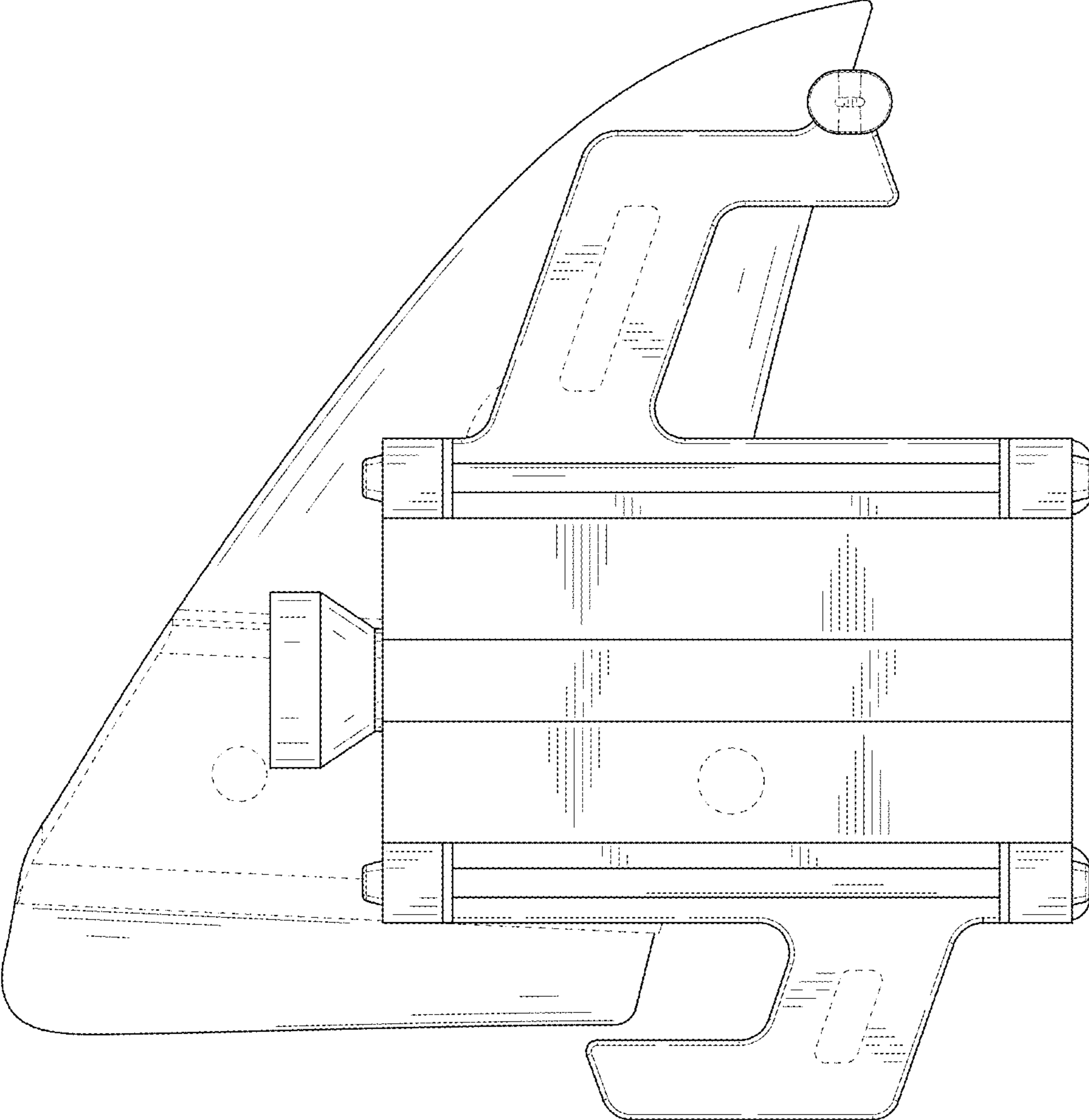


FIG. 3

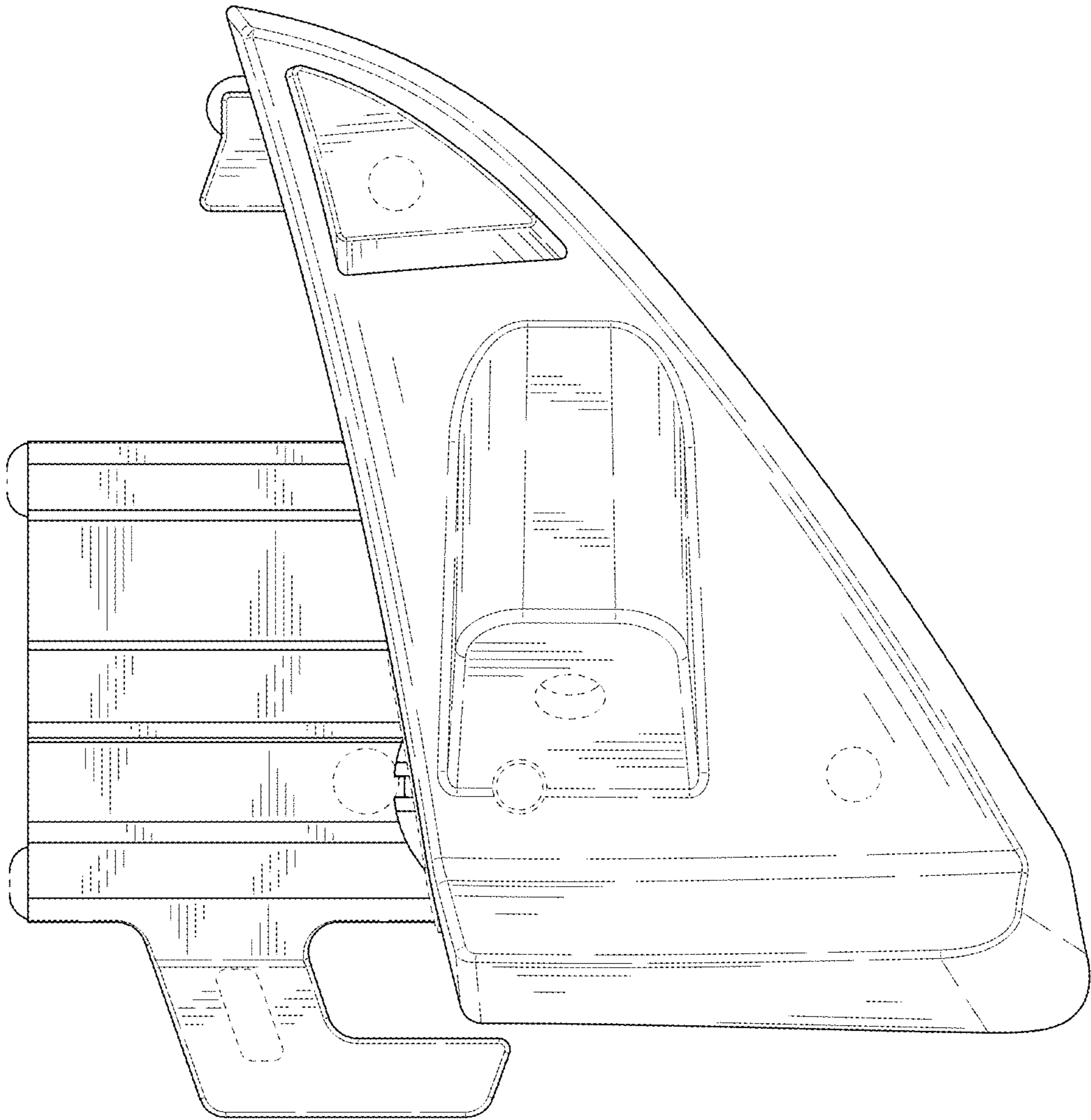


FIG. 4

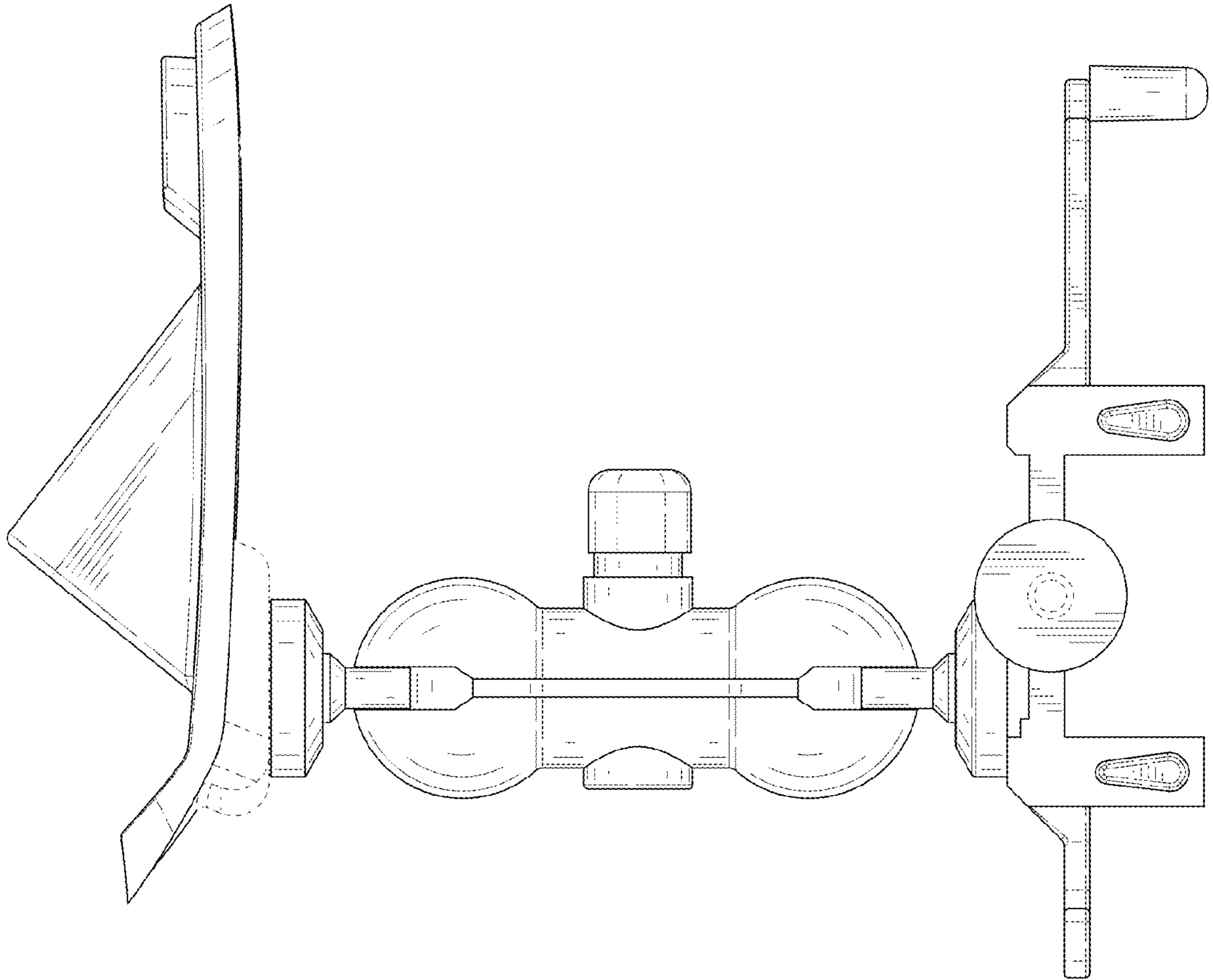


FIG. 5

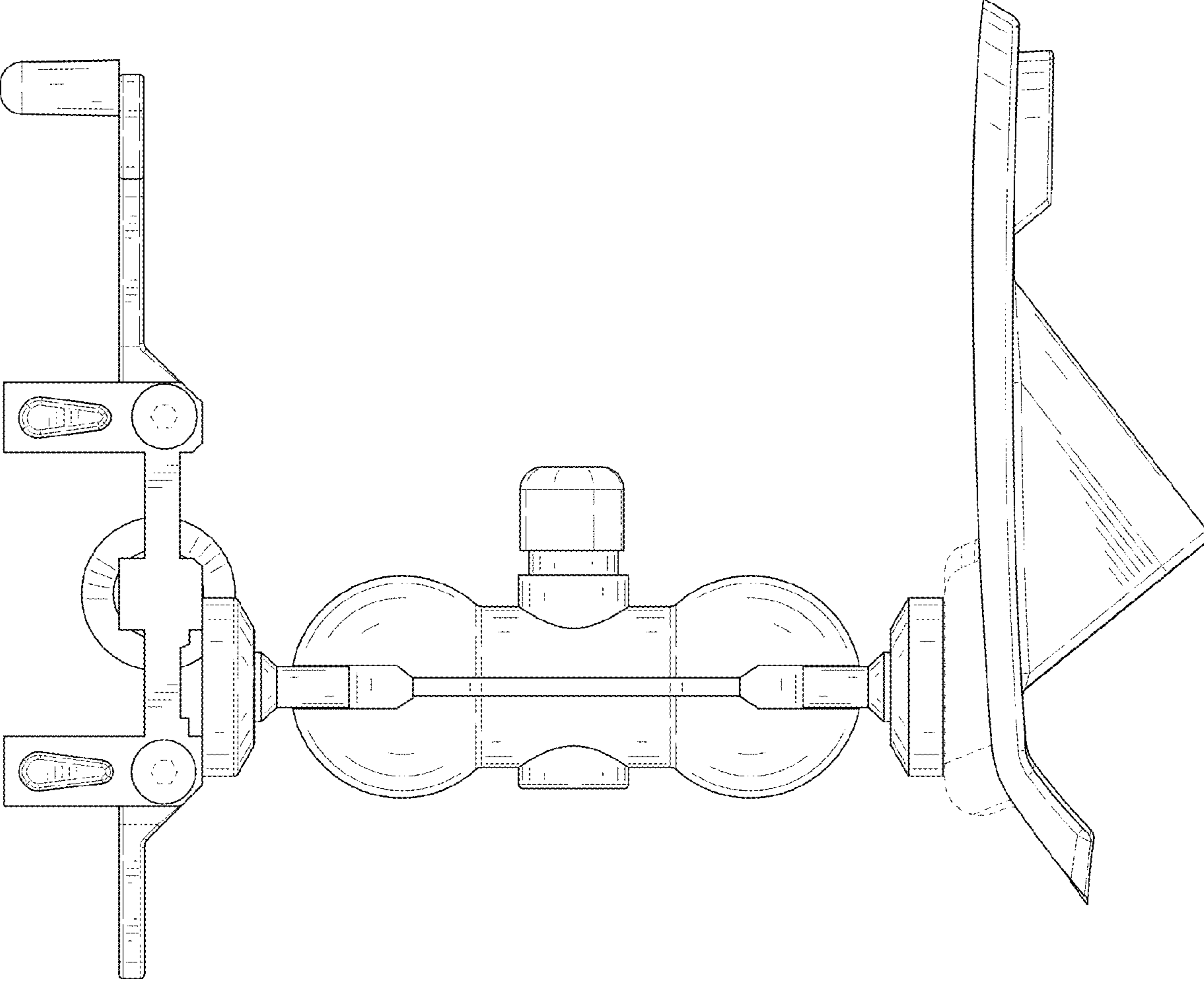


FIG. 6



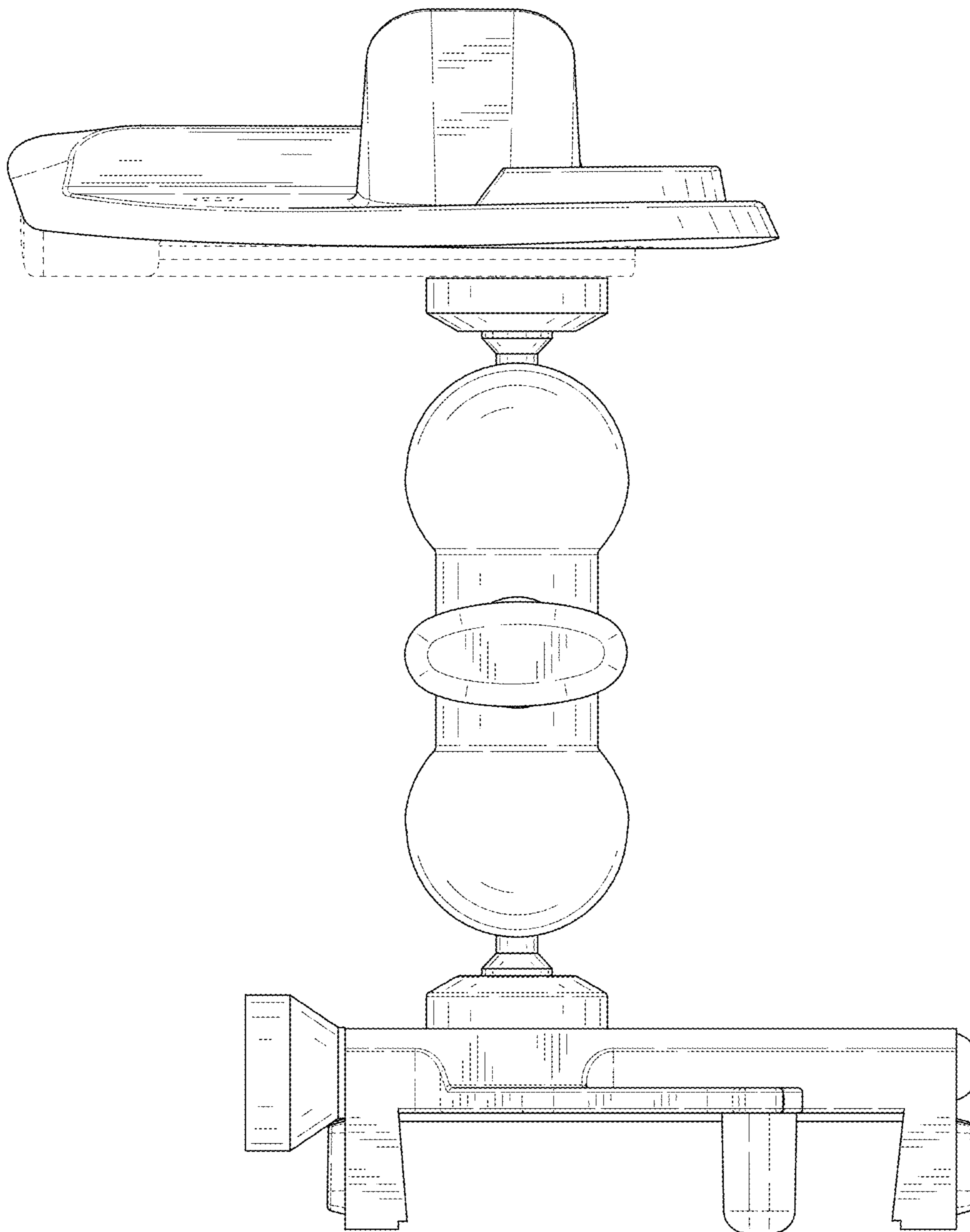


FIG. 7

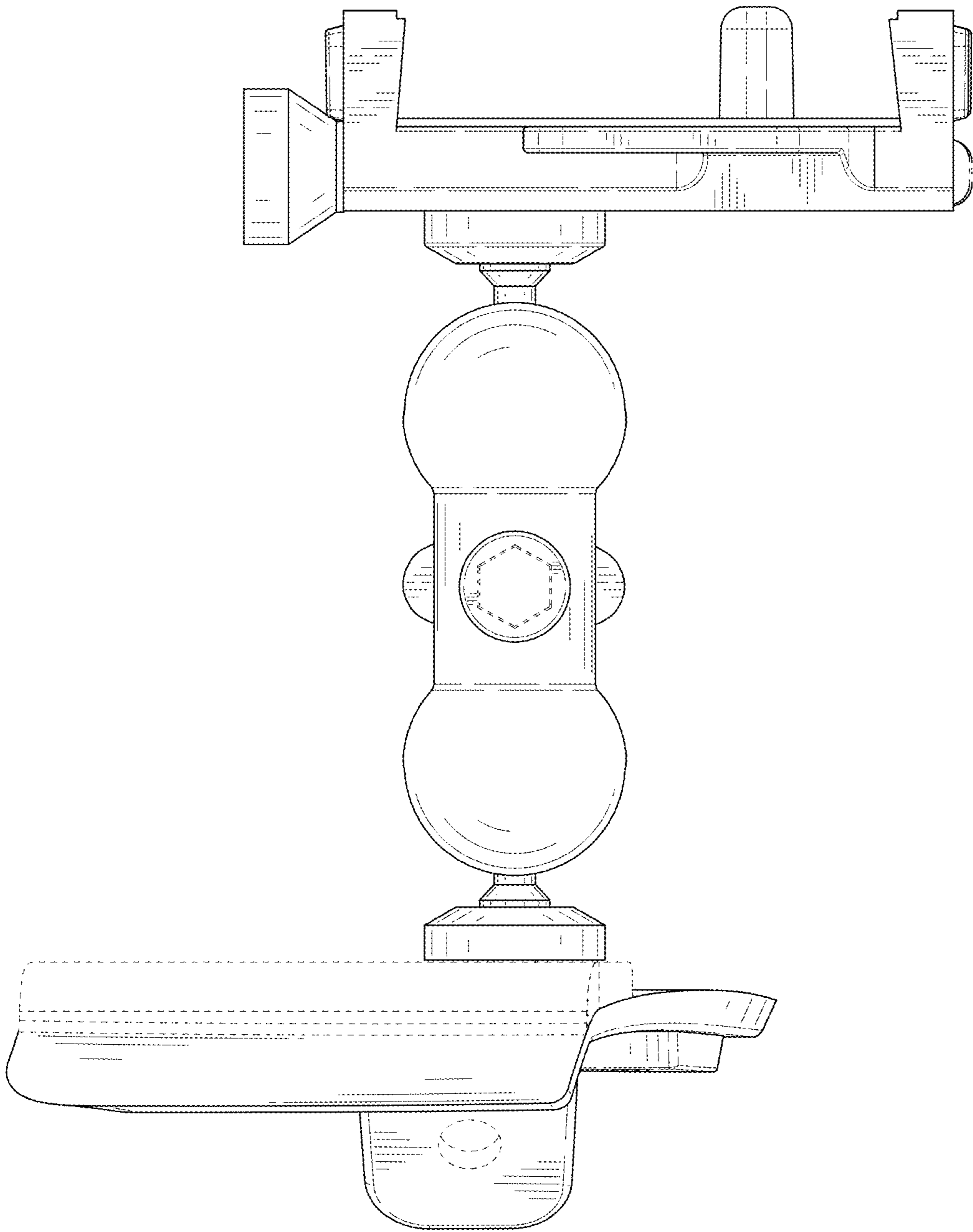


FIG. 8