



US00D976890S

(12) **United States Design Patent**  
**Zhu**

(10) **Patent No.:** **US D976,890 S**  
(45) **Date of Patent:** **\*\* Jan. 31, 2023**

- (54) **PHONE CASE STAND**
- (71) Applicant: **Ya Mei Zhong Trading (Shenzhen) Co., Ltd., Shenzhen (CN)**
- (72) Inventor: **Zhiwei Zhu, Shenzhen (CN)**
- (\*\*) Term: **15 Years**
- (21) Appl. No.: **29/813,709**
- (22) Filed: **Nov. 1, 2021**
- (51) **LOC (14) Cl.** ..... **14-03**
- (52) **U.S. Cl.**  
USPC ..... **D14/250**
- (58) **Field of Classification Search**  
USPC ..... D14/250–251, 253, 440  
CPC ... H04B 1/3888; B32B 38/1841; B32B 37/26;  
F16M 11/10; H04M 1/04  
See application file for complete search history.

- D925,547 S \* 7/2021 Ann ..... D14/451
- D930,653 S \* 9/2021 Armstrong ..... D14/440
- D932,482 S \* 10/2021 Del Toro ..... D14/253
- D934,226 S \* 10/2021 Zhang ..... D14/250
- D937,250 S \* 11/2021 Jakobuco ..... D14/250
- D941,282 S \* 1/2022 Bai ..... D14/250

(Continued)

**FOREIGN PATENT DOCUMENTS**

JP D1452648 \* 10/2012

*Primary Examiner* — John R Yeh

(74) *Attorney, Agent, or Firm* — Rumit Ranjit Kanakia

(57) **CLAIM**

The ornamental design for a phone case stand, as shown and described.

**DESCRIPTION**

FIG. 1 is a perspective view of a phone case stand showing my new design in an environment of use.  
 FIG. 2 is a second perspective view without environment thereof;  
 FIG. 3 is the second perspective view thereof;  
 FIG. 4 is the third perspective view thereof;  
 FIG. 5 is a front elevational view;  
 FIG. 6 is a rear elevational view thereof;  
 FIG. 7 is a left side view thereof;  
 FIG. 8 is a right side view thereof;  
 FIG. 9 is a top plan view thereof;  
 FIG. 10 is a bottom plan view thereof;  
 FIG. 11 is the perspective view showing that the phone case stand is in a closed status;  
 FIG. 12 is a partial enlarged view of FIG. 2;  
 FIG. 13 is a partial enlarged view of FIG. 3; and,  
 FIG. 14 is a partial enlarged view of FIG. 4.  
 The broken lines depict enlargement indications and environment of the phone case stand that form no part of the claimed design.

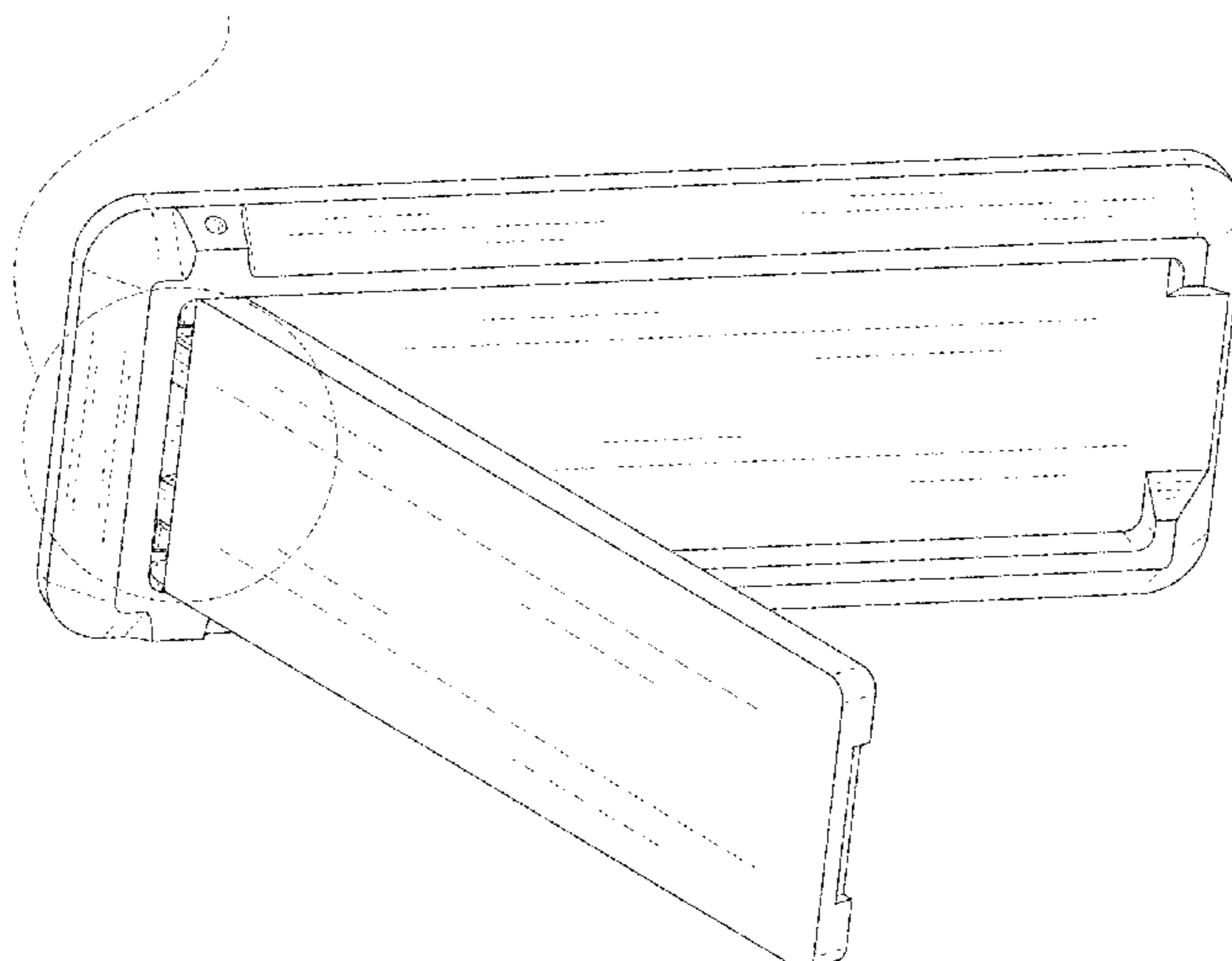
**1 Claim, 14 Drawing Sheets**

(56) **References Cited**

**U.S. PATENT DOCUMENTS**

- D583,572 S \* 12/2008 Zhai ..... D14/371
- D660,305 S 5/2012 Ho
- D663,294 S \* 7/2012 Buxton ..... D14/250
- D679,271 S 4/2013 Liu
- D690,305 S \* 9/2013 Wen ..... D14/440
- D706,254 S 6/2014 Chang
- D745,013 S \* 12/2015 Brierley ..... D14/440
- D748,615 S 2/2016 Lee
- D749,069 S 2/2016 Senoff
- D749,083 S 2/2016 Senoff
- D749,559 S 2/2016 Senoff
- D757,705 S 5/2016 Esses
- D765,085 S \* 8/2016 Moore ..... D14/440
- D765,662 S 9/2016 Kang
- D855,606 S \* 8/2019 Kim ..... D14/250
- D868,790 S \* 12/2019 Weng ..... D14/440
- D885,376 S 5/2020 He
- D890,767 S \* 7/2020 Chong ..... D14/447
- D898,016 S \* 10/2020 Liang ..... D14/250
- D904,414 S \* 12/2020 Hyun ..... D14/440

**FIG. 12**



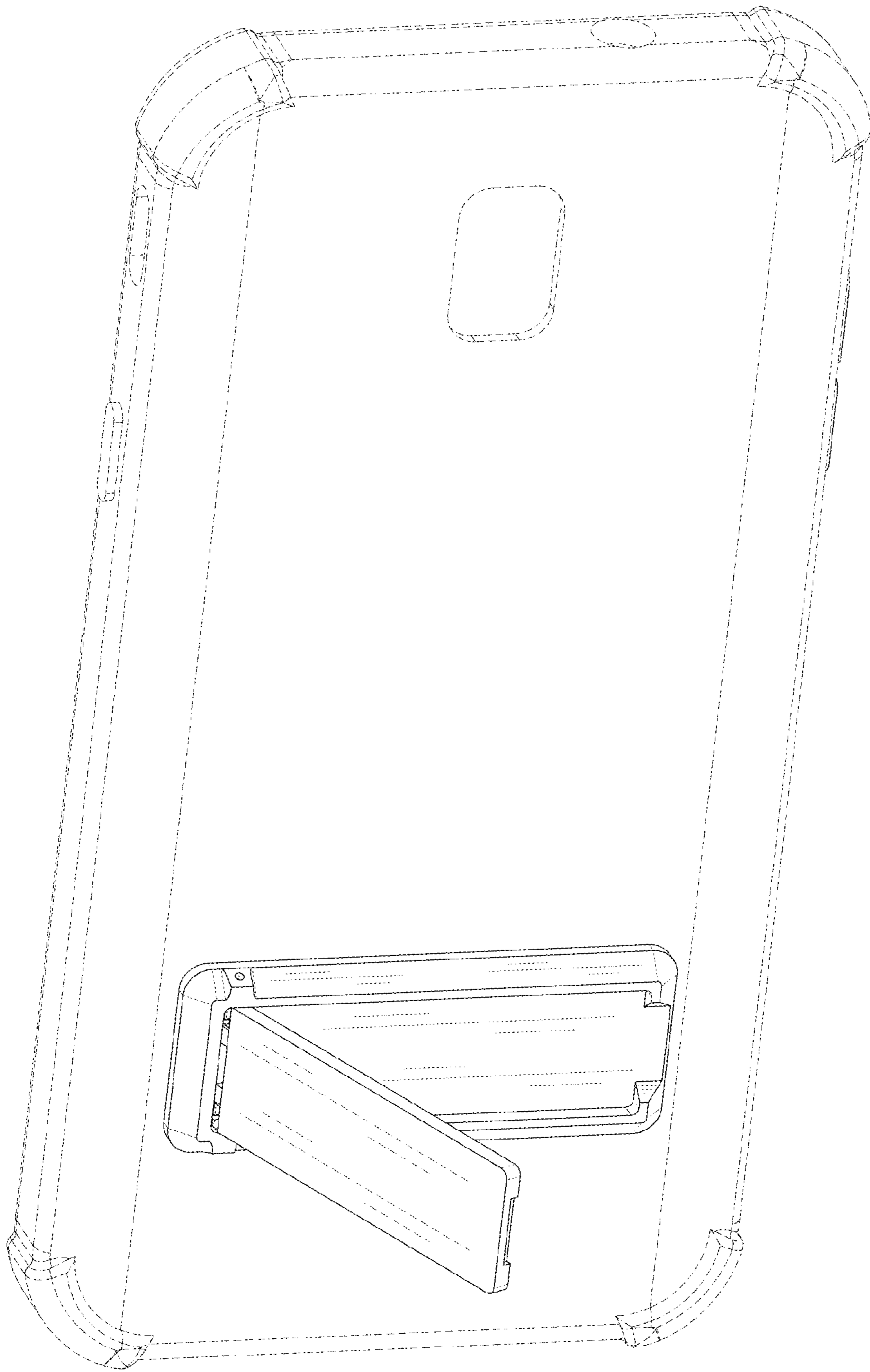
(56)

**References Cited**

U.S. PATENT DOCUMENTS

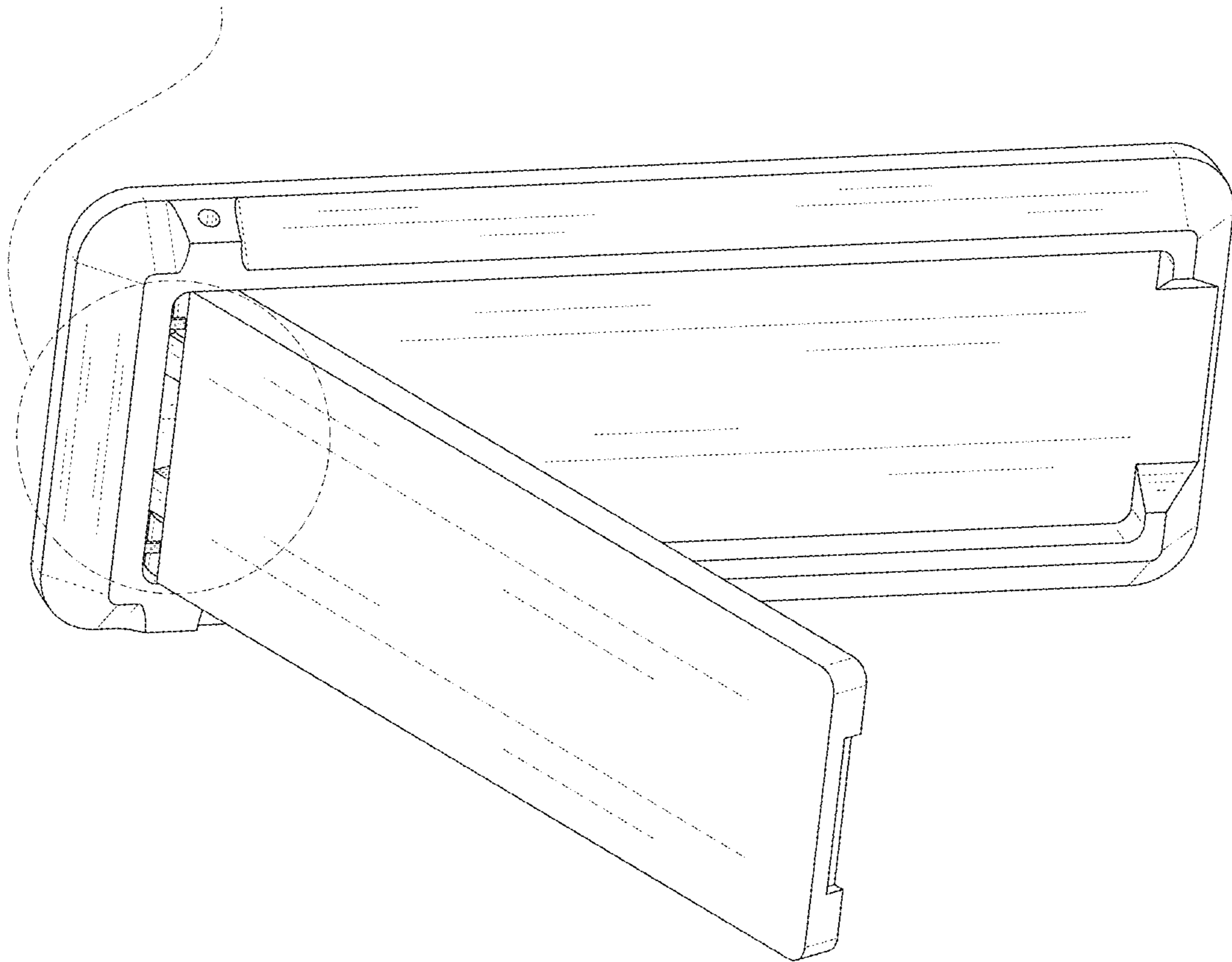
D943,566 S \* 2/2022 Kim ..... D14/250  
D949,840 S \* 4/2022 Ling ..... D14/250  
D970,491 S \* 11/2022 Peng ..... D14/250  
2010/0171671 A1\* 7/2010 Park ..... F16M 13/00  
248/688  
2011/0164358 A1\* 7/2011 Duan ..... H05K 5/0234  
361/679.01  
2018/0041237 A1\* 2/2018 Mody ..... H04M 1/185  
2021/0059370 A1\* 3/2021 Del Toro ..... F16M 11/10

\* cited by examiner



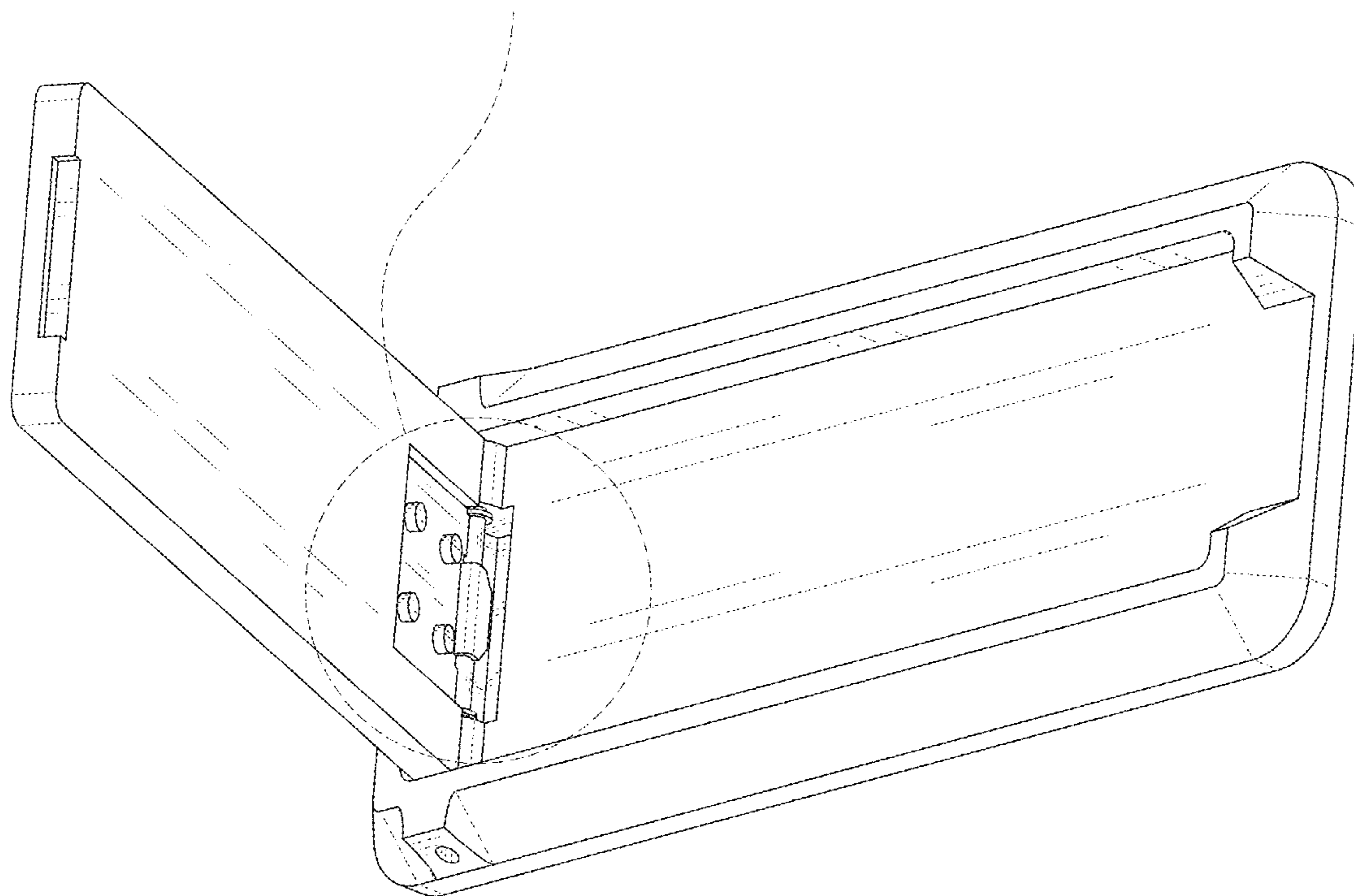
**FIG. 1**

**FIG. 12**

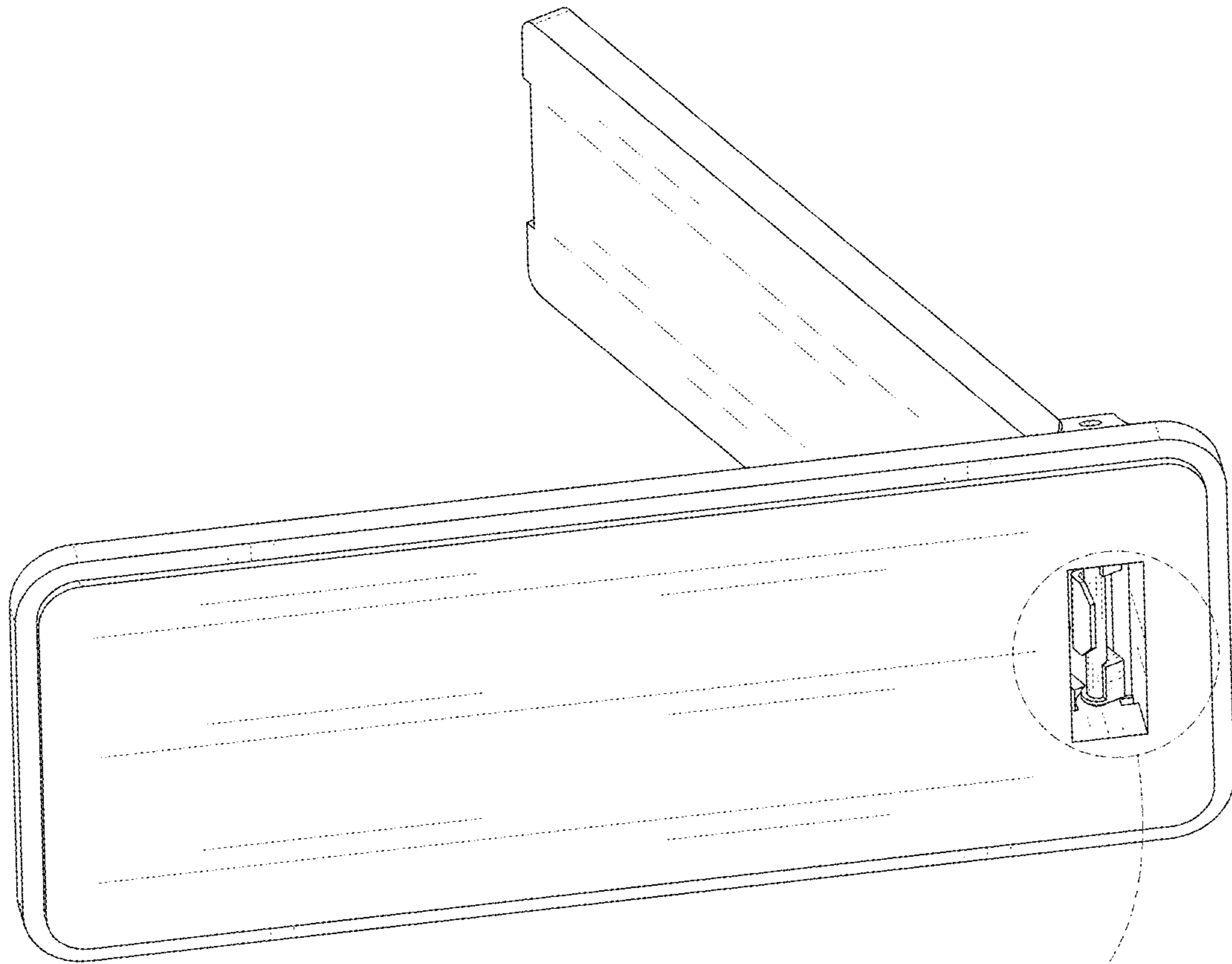


**FIG. 2**

**FIG. 13**



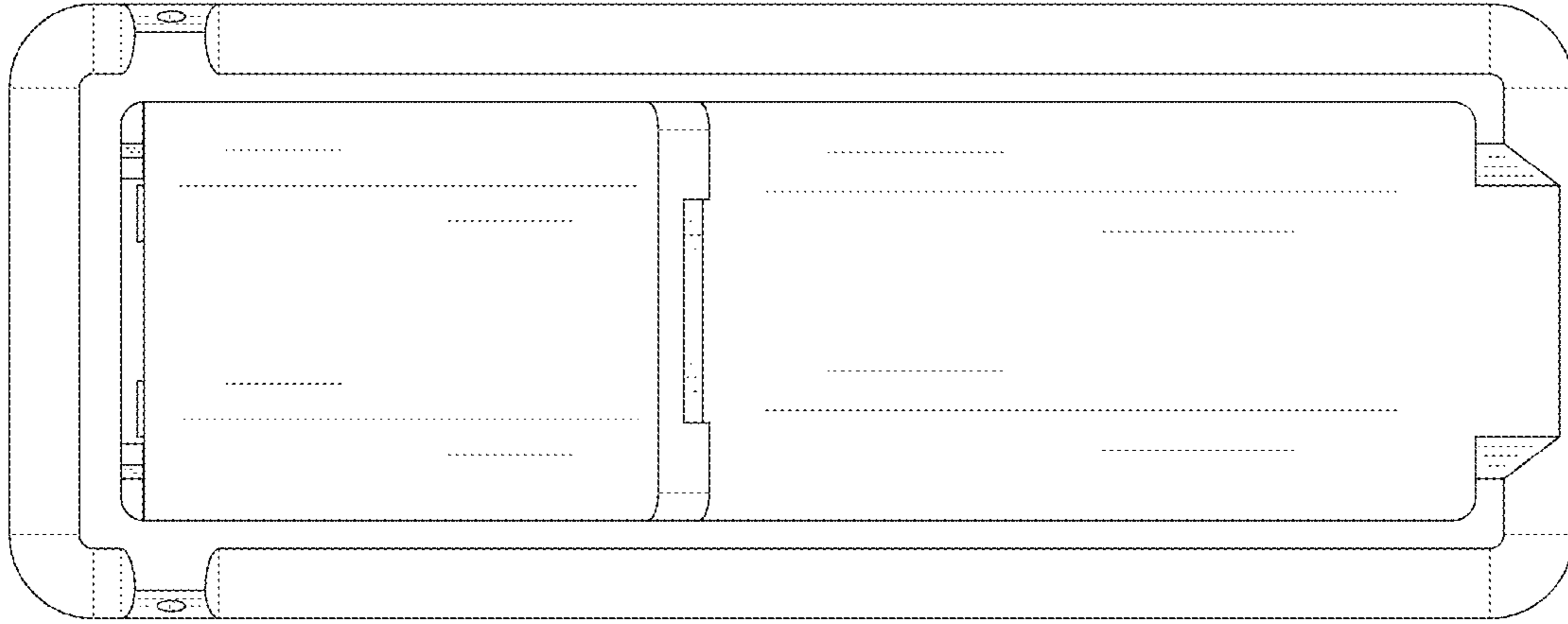
**FIG. 3**



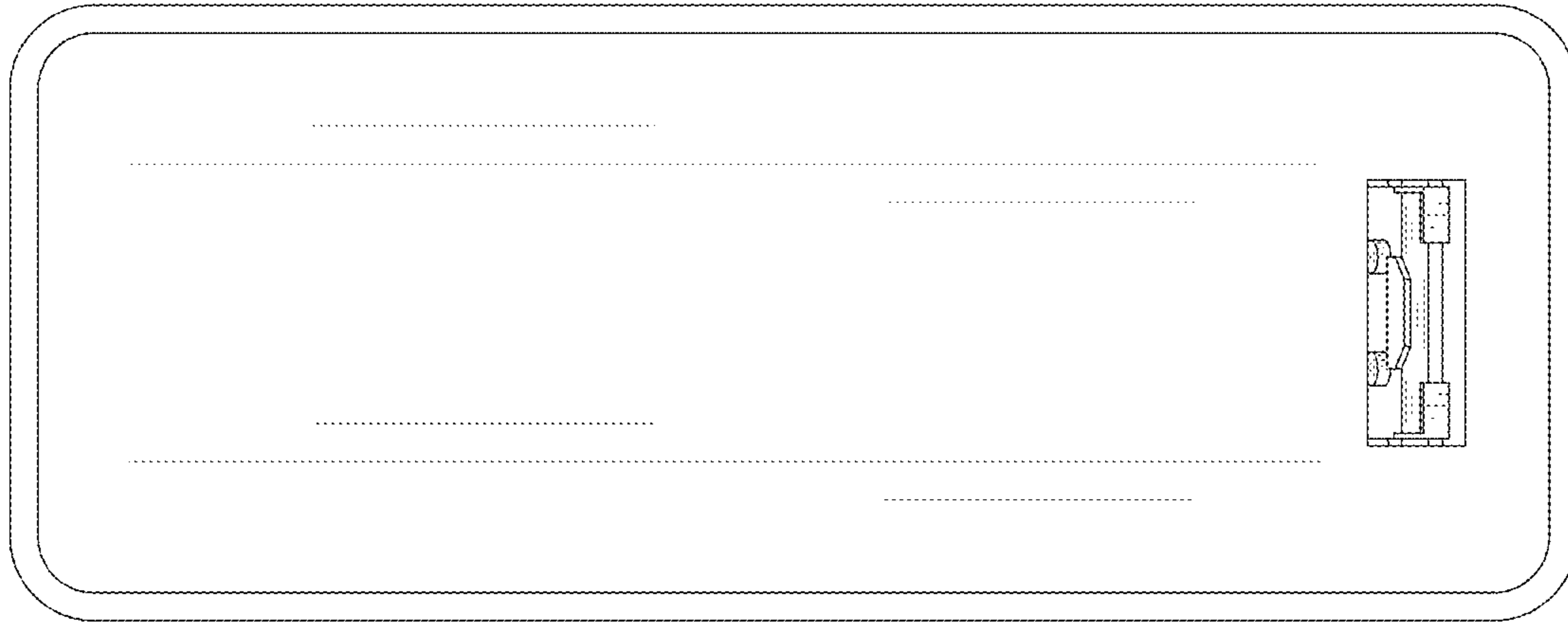
**FIG.14**

**FIG.4**





**FIG. 5**



**FIG. 6**

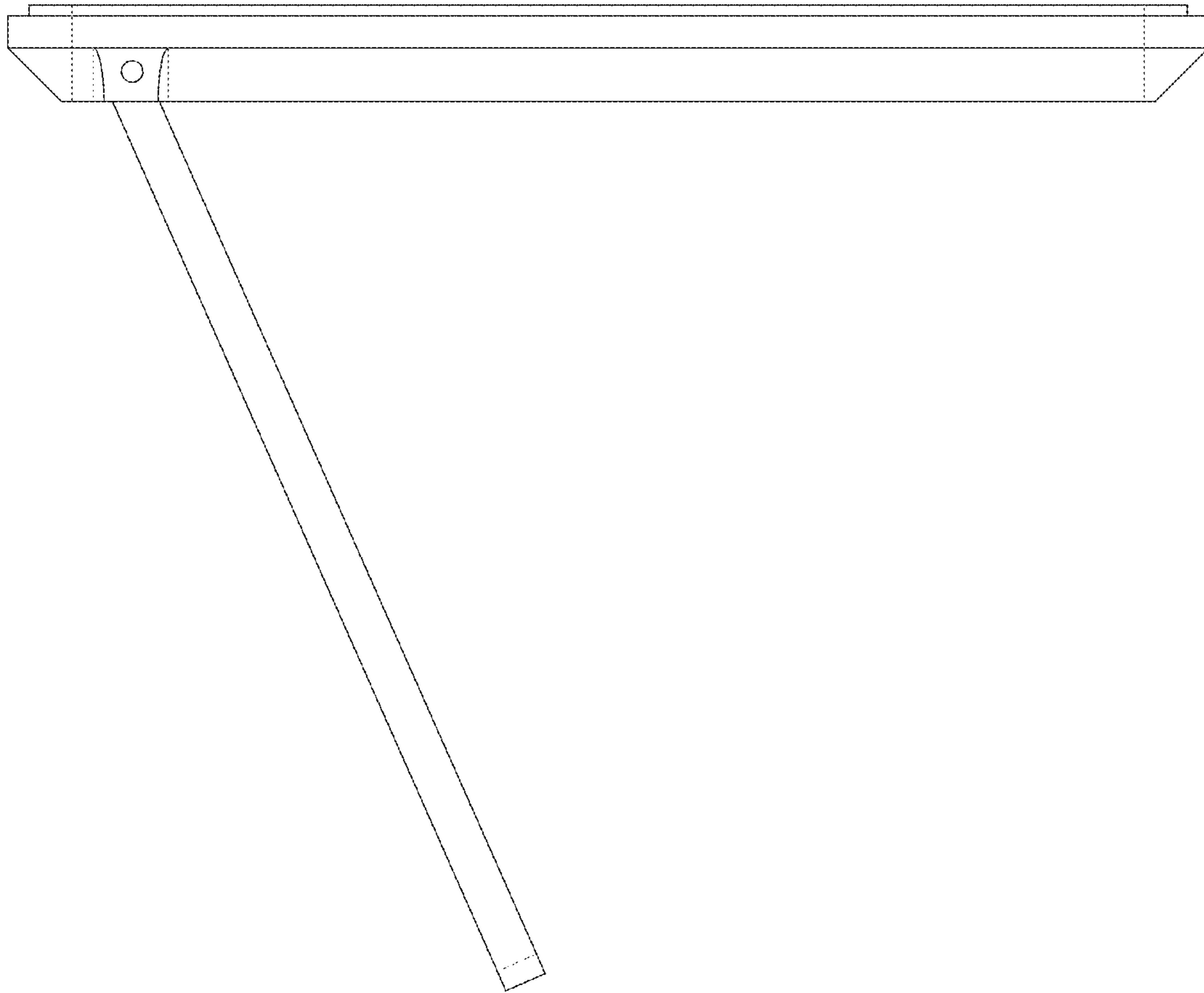




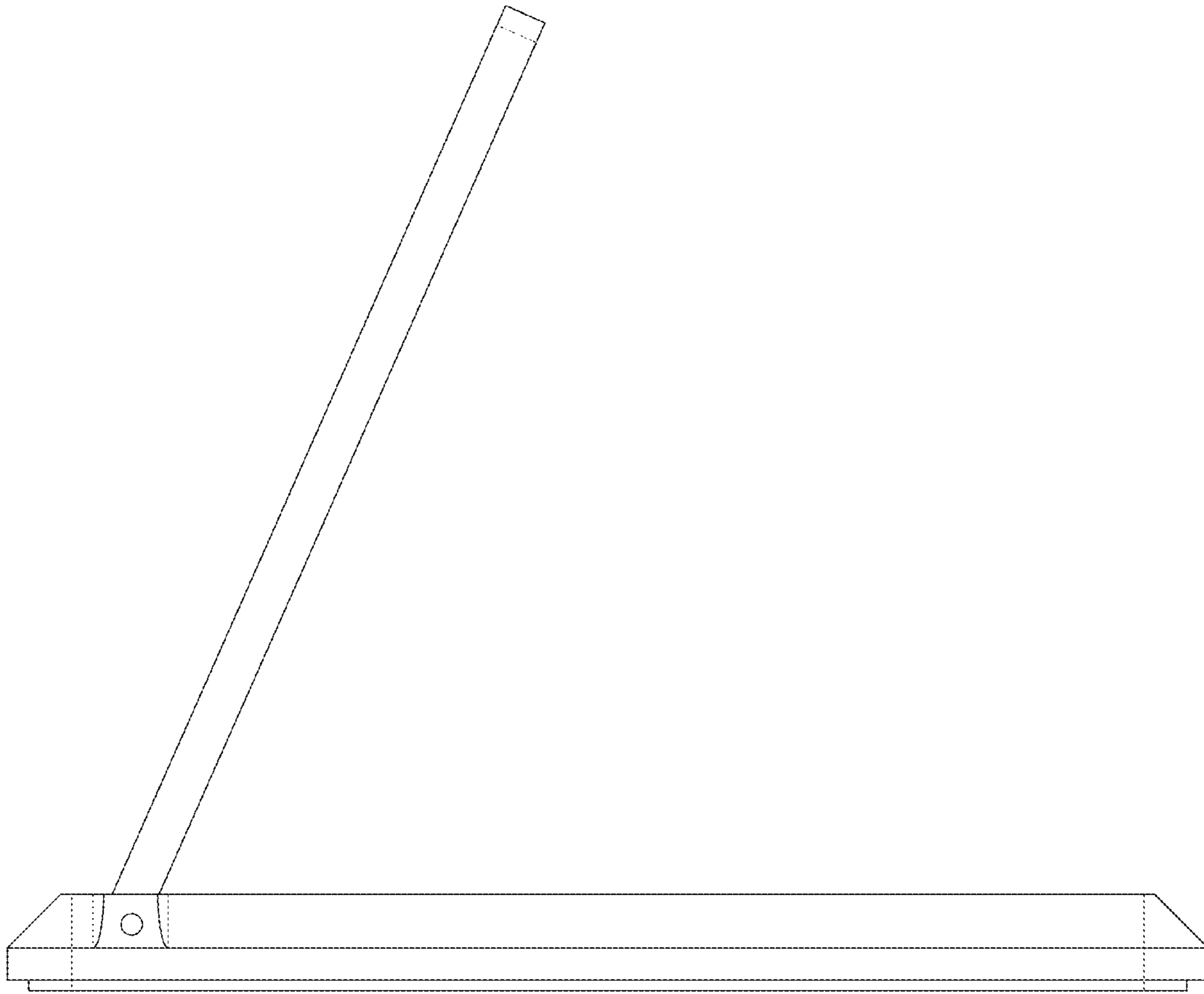
***FIG. 7***



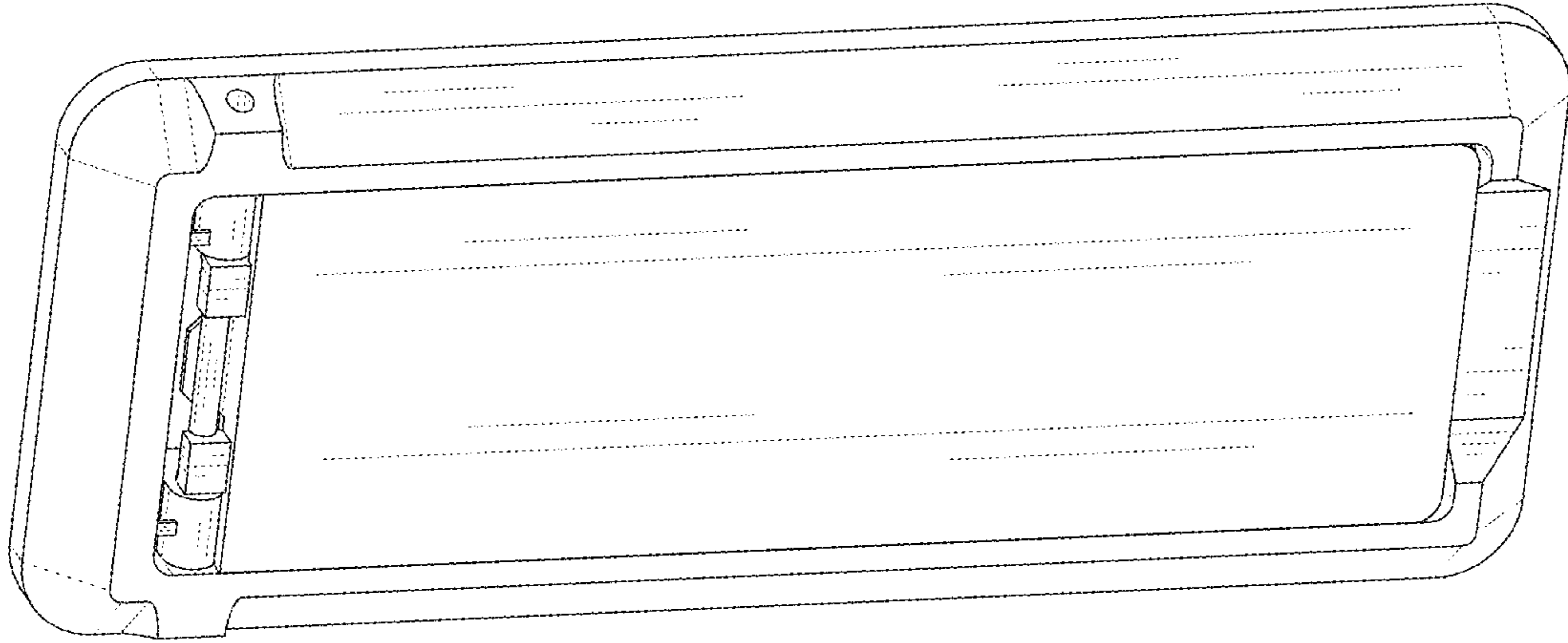
**FIG. 8**



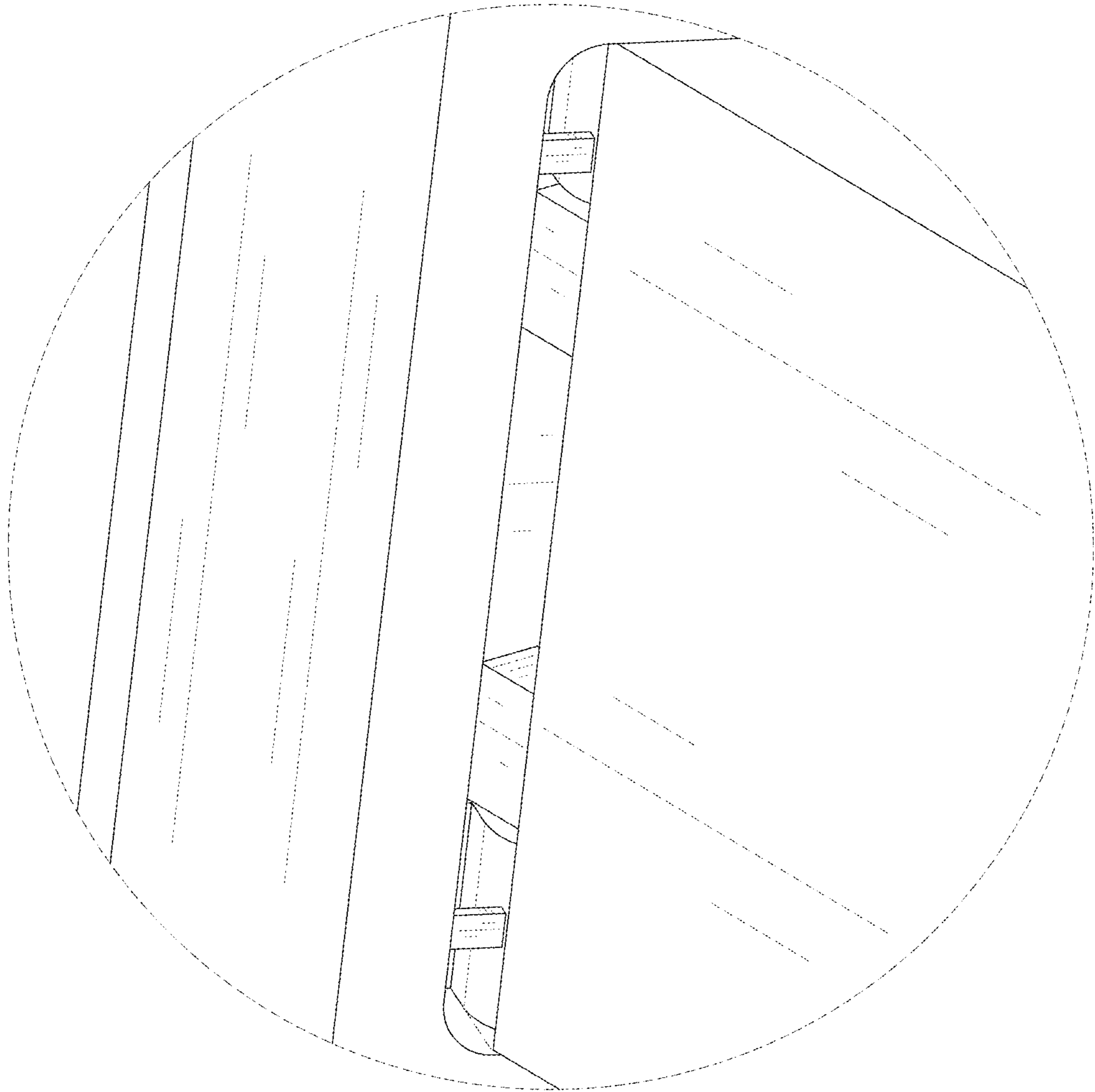
***FIG. 9***



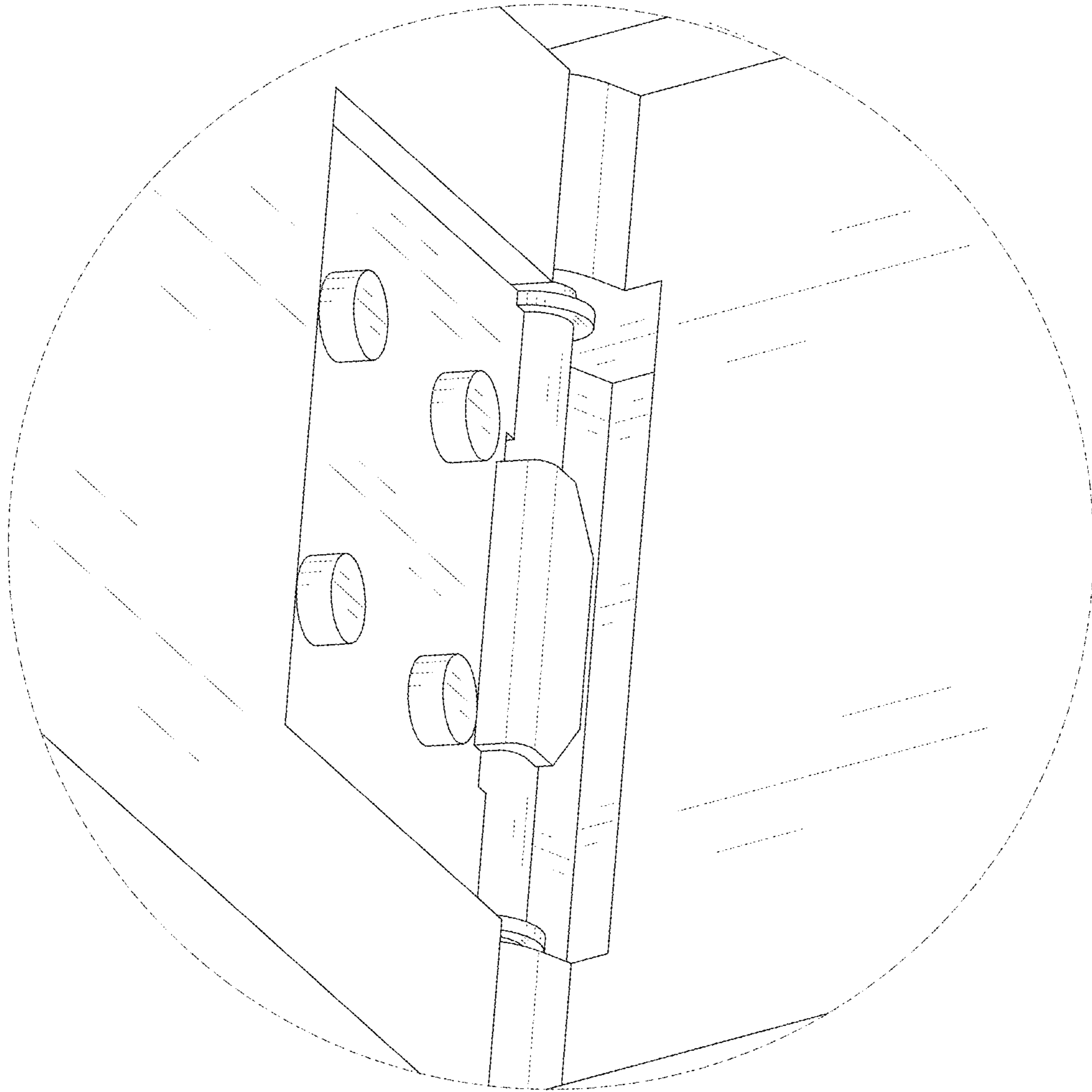
**FIG. 10**



**FIG. 11**

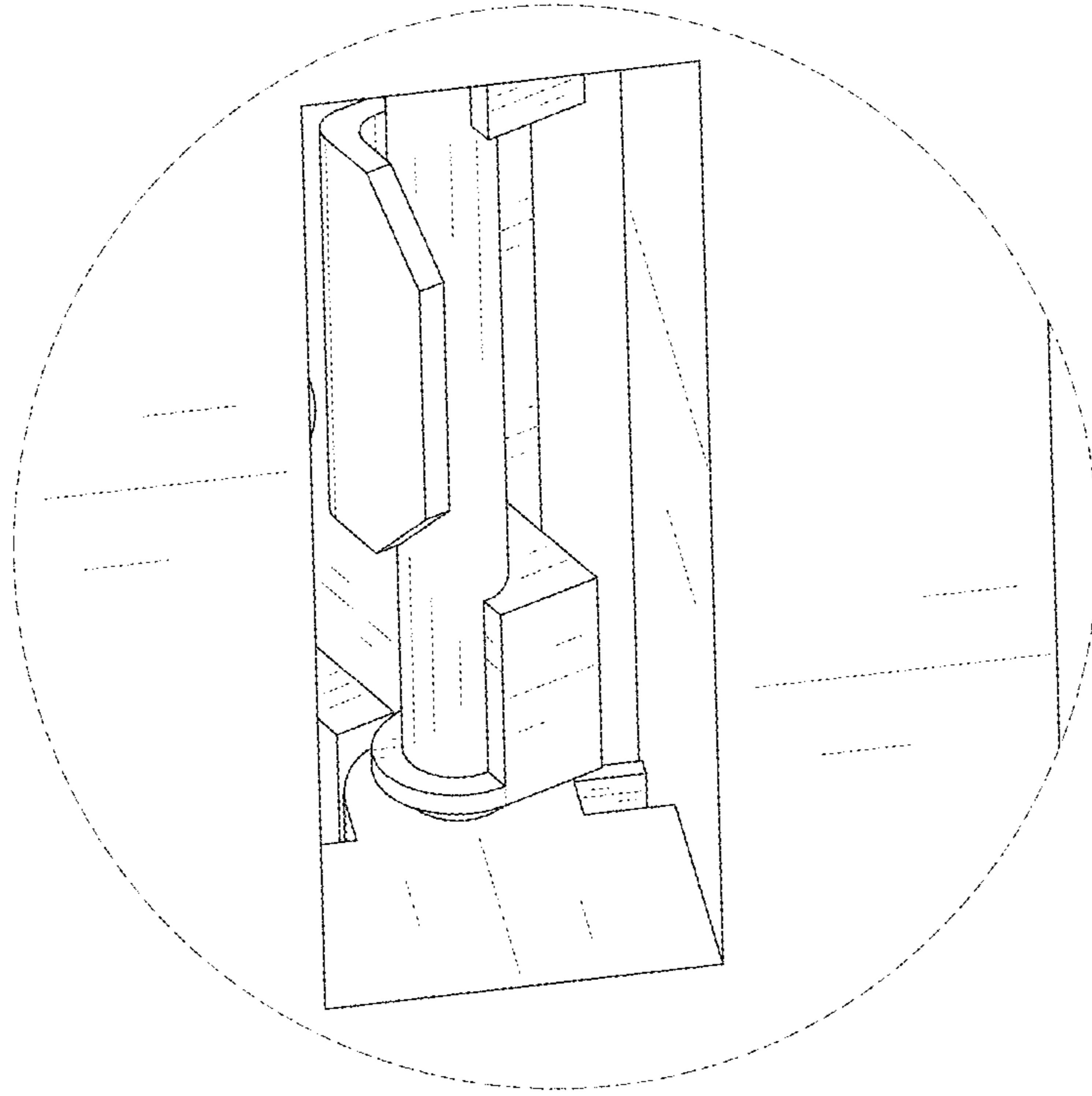


**FIG. 12**



**FIG. 13**





***FIG. 14***