



US00D976889S

(12) **United States Design Patent**
Zhang

(10) **Patent No.:** **US D976,889 S**
(45) **Date of Patent:** **** Jan. 31, 2023**

- (54) **MOBILE PHONE CASE**
- (71) Applicant: **Guangzhou Yisimei Plastic Products Co., Ltd**, Guangdong (CN)
- (72) Inventor: **Yiqiang Zhang**, Guangdong (CN)
- (73) Assignee: **Guangzhou Yisimei Plastic Products Co., Ltd**, Guangzhou (CN)

- D934,226 S * 10/2021 Zhang D14/250
- D937,819 S * 12/2021 Tan D14/250
- D941,282 S * 1/2022 Bai D14/250
- D947,166 S * 3/2022 Mi D14/250
- D951,242 S * 5/2022 Lin D14/250

(Continued)

- (**) Term: **15 Years**
- (21) Appl. No.: **29/798,845**
- (22) Filed: **Jul. 12, 2021**

(30) **Foreign Application Priority Data**

May 21, 2021 (CN) 202130308366.6

- (51) **LOC (14) Cl.** **14-03**
- (52) **U.S. Cl.**
USPC **D14/250**

(58) **Field of Classification Search**

USPC D3/201, 218, 247, 249, 269; D13/107,
D13/108, 118, 119; D14/217, 248,
D14/250-253, 432, 440
CPC H04B 1/3888; H04M 1/0283; H04M
1/0202; A45F 2005/028; A45F 2200/0525
See application file for complete search history.

(56) **References Cited**

U.S. PATENT DOCUMENTS

- D671,933 S * 12/2012 Rodgers D14/250
- D783,590 S * 4/2017 Wu D14/252
- D816,654 S * 5/2018 Chen D14/250
- D839,259 S * 1/2019 Ahn D14/250
- D850,451 S * 6/2019 Chen D14/440
- D863,286 S * 10/2019 Hong D14/250
- D866,546 S * 11/2019 Stillwell D14/251
- D876,420 S * 2/2020 Armstrong D14/250
- D888,032 S * 6/2020 Armstrong D14/250
- D923,616 S * 6/2021 Xie D14/250

OTHER PUBLICATIONS

ZCDAYE Case for iPhone Armor Dual Layer Protective Phone Case with Slide Camera Cover, publication date Apr. 21, 2021, [online] URL: <https://www.amazon.com/ZCDAYE-iPhone-SE-2020-Protective/dp/B0932ZSQ87> (Year: 2021).*

(Continued)

Primary Examiner — L. A. Grabenstetter

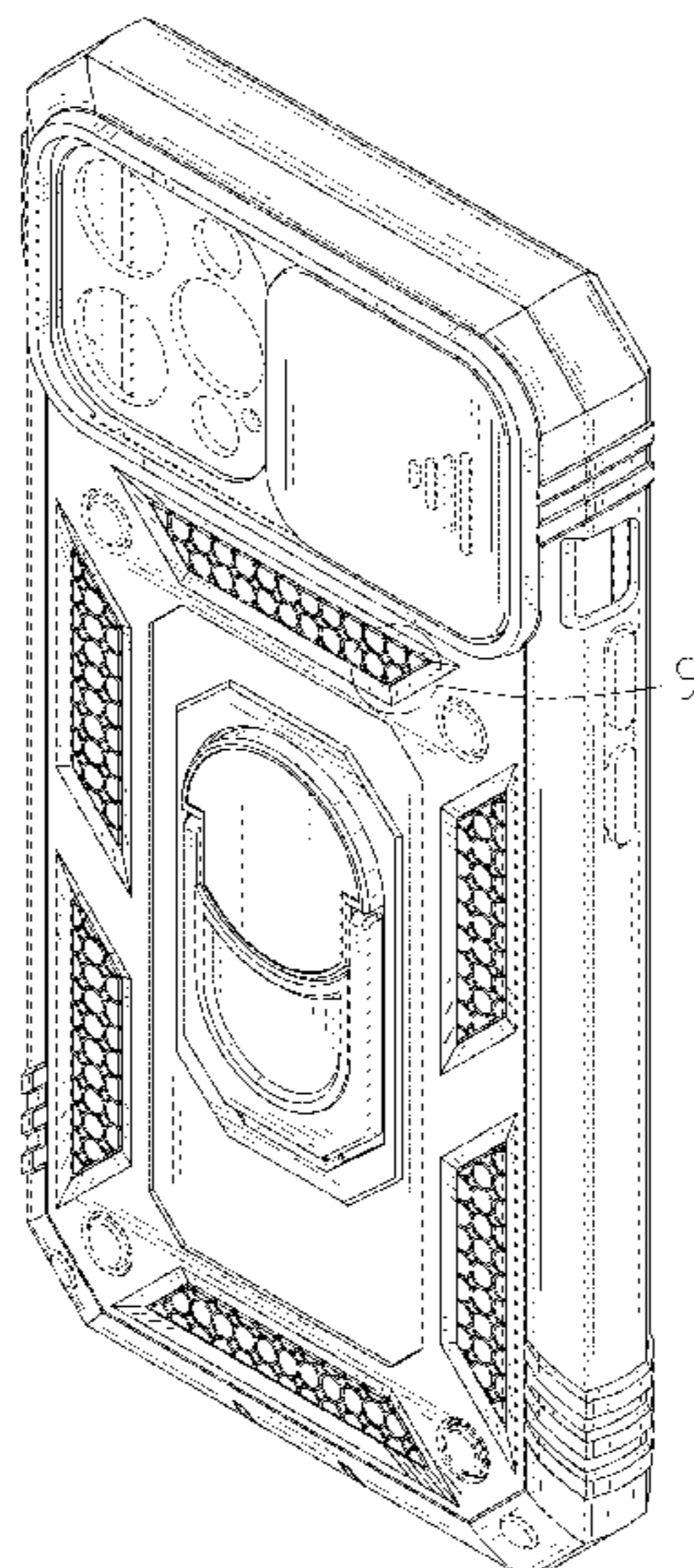
(57) **CLAIM**

The ornamental design for a mobile phone case, as shown and described.

DESCRIPTION

FIG. 1 is a top, front and right side perspective view of a mobile phone case showing my new design;
FIG. 2 is a bottom, rear and left side perspective view thereof;
FIG. 3 is a front elevational view thereof;
FIG. 4 is a rear elevational view thereof;
FIG. 5 is a left side view thereof;
FIG. 6 is a right side view thereof;
FIG. 7 is a top plan view thereof;
FIG. 8 is a bottom plan view thereof; and,
FIG. 9 is an enlarged view of portion 9 in FIG. 1.
The dash-dash broken lines in the drawings illustrate portions of the mobile phone case which form no part of the claimed design. The dot-dash broken lines in FIGS. 1 and 9 are included for the purpose of delineating the portion included in the enlarged detail view and form no part of the claimed design.

1 Claim, 9 Drawing Sheets



(56)

References Cited

U.S. PATENT DOCUMENTS

D962,919 S * 9/2022 Luo D14/250
D967,108 S * 10/2022 Cheng D14/440
2019/0068230 A1 * 2/2019 Sasaki H04B 1/3888

OTHER PUBLICATIONS

Goton Armor Case for iPhone, publicaiton date Nov. 10, 2021,
[online]URL: [https://www.amazon.com/Goton-Kickstand-Protection-Shockproof-Case-\(Blue\)/dp/B09LH52HNG](https://www.amazon.com/Goton-Kickstand-Protection-Shockproof-Case-(Blue)/dp/B09LH52HNG) (Year: 2021).*

* cited by examiner

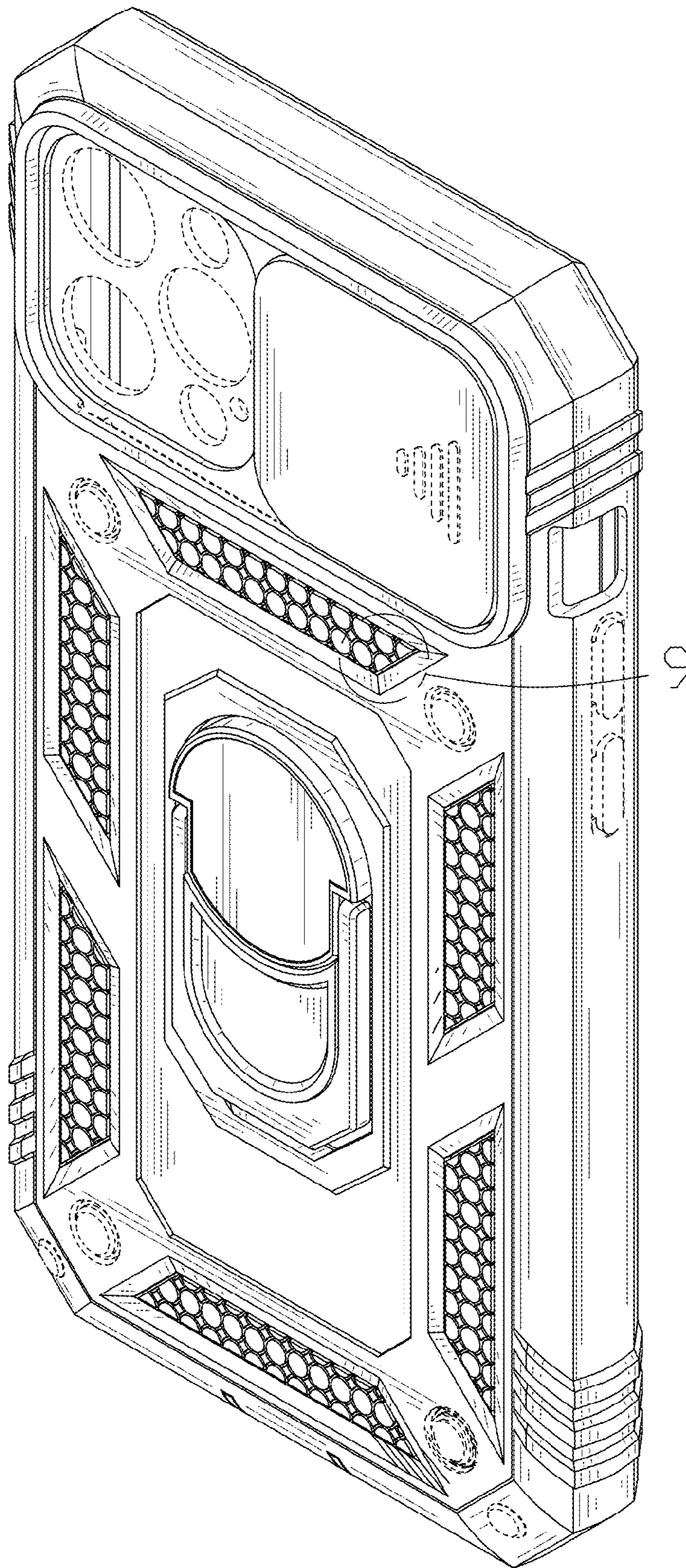


FIG. 1

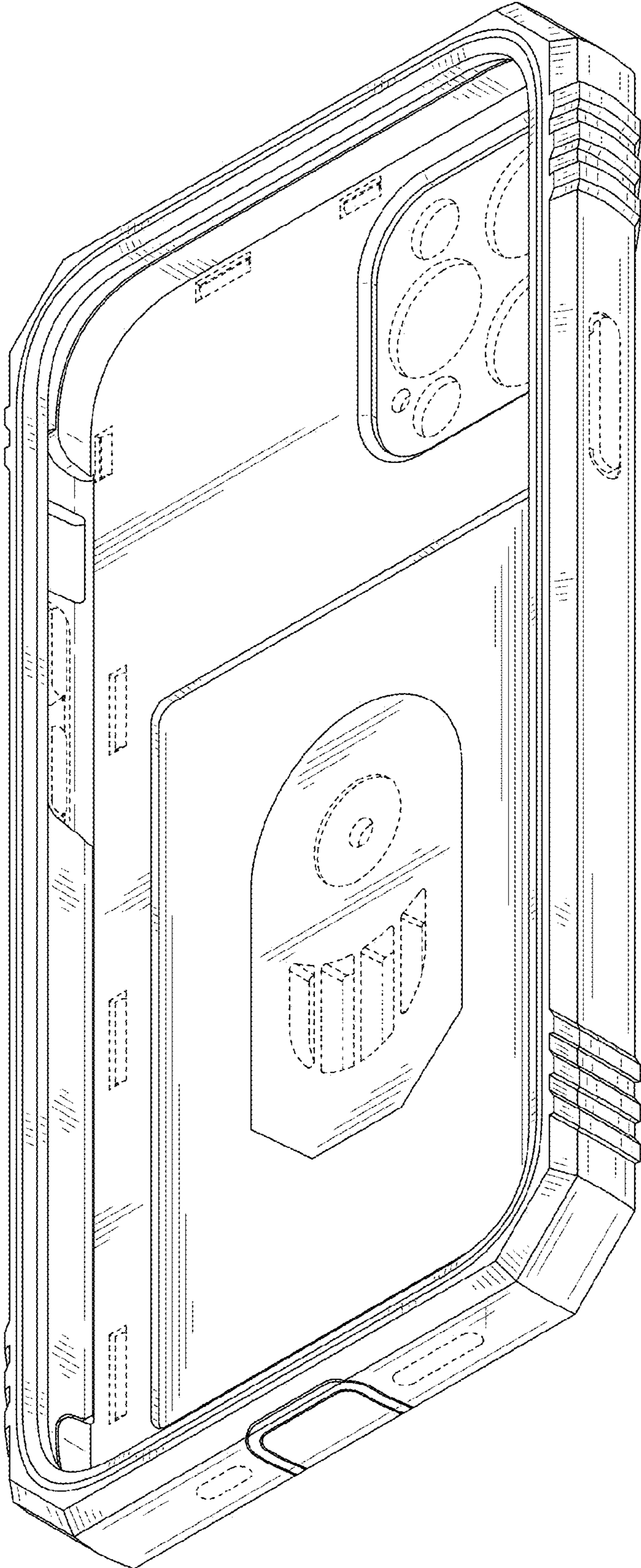


FIG. 2

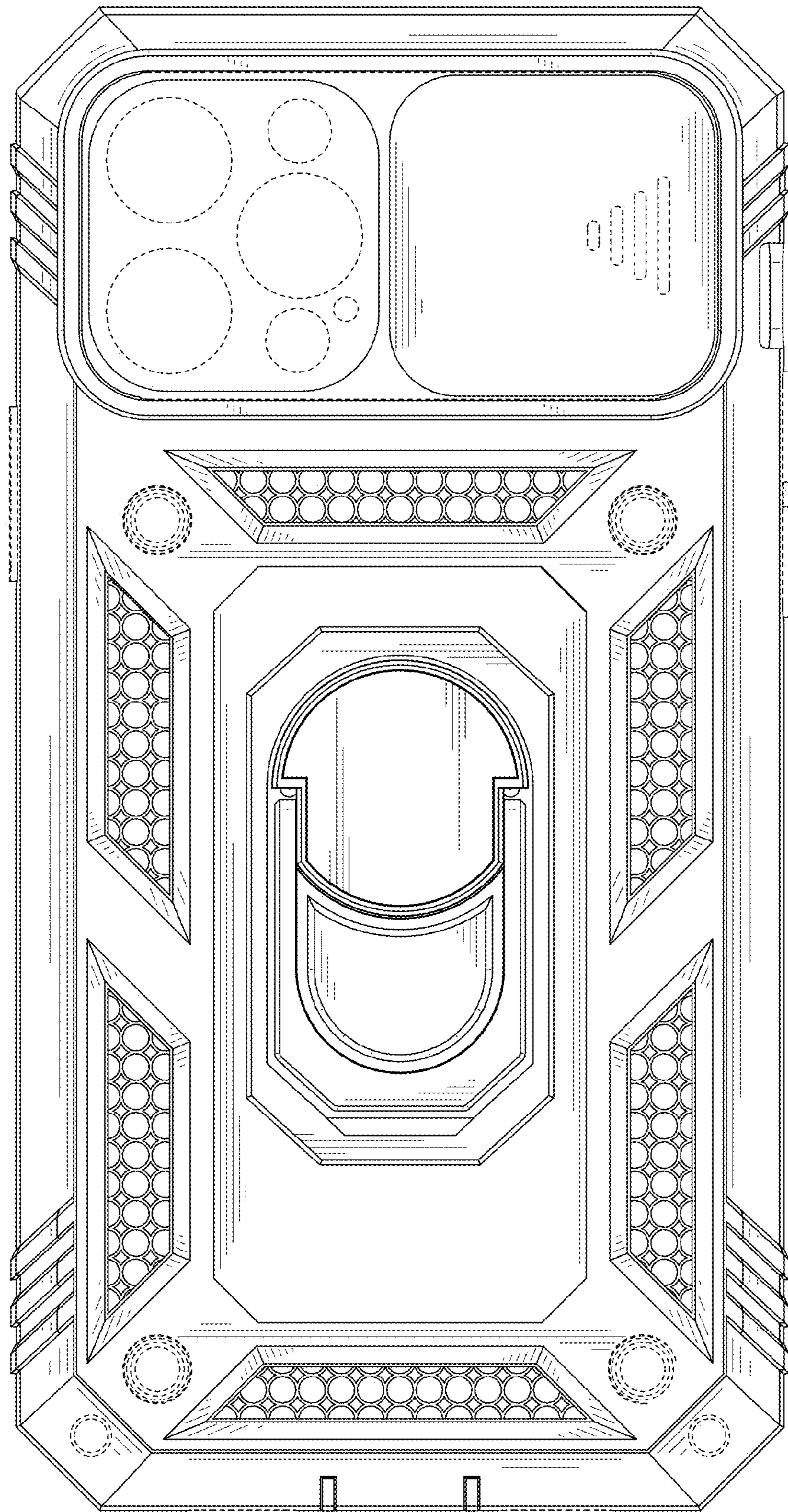


FIG. 3

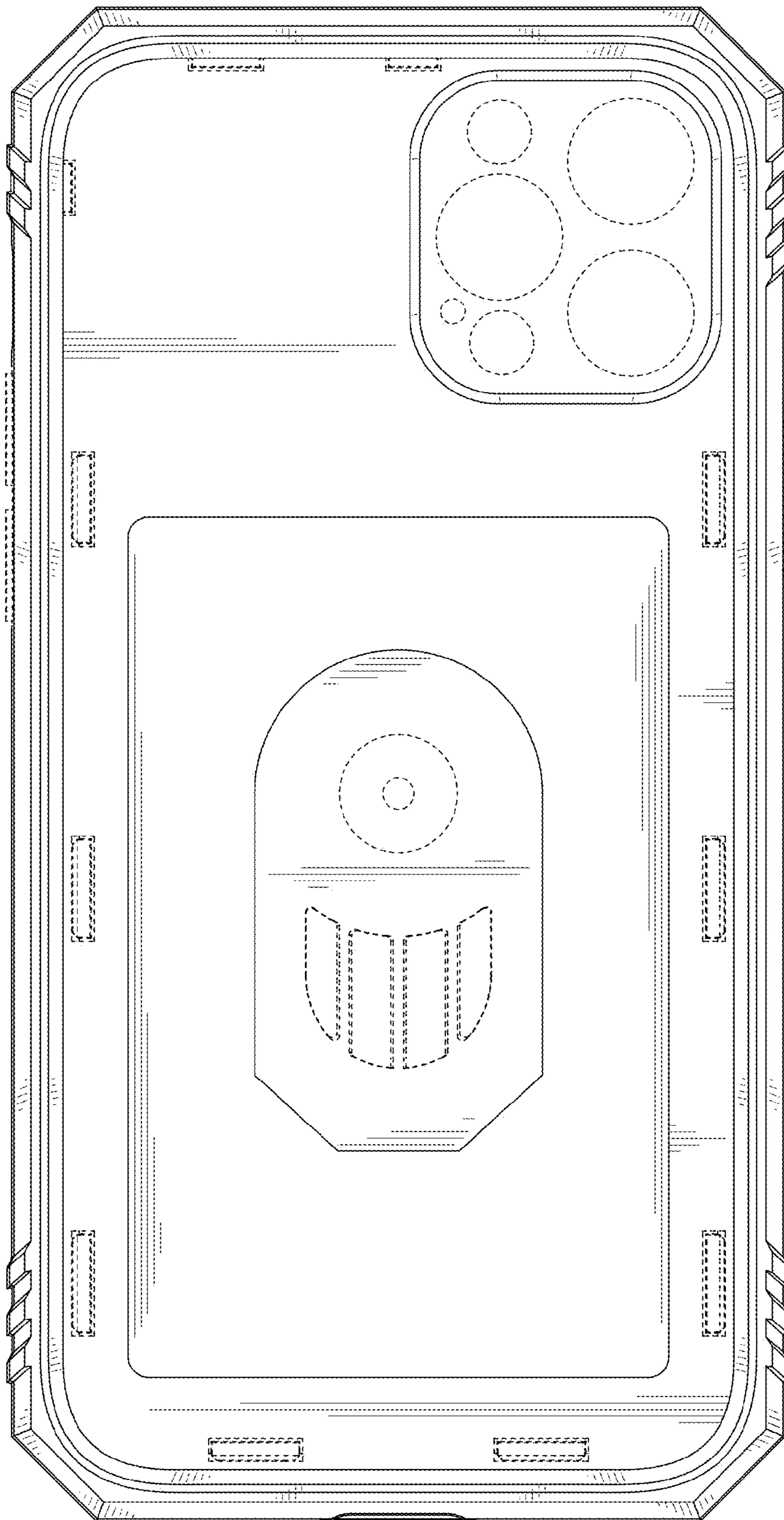


FIG. 4

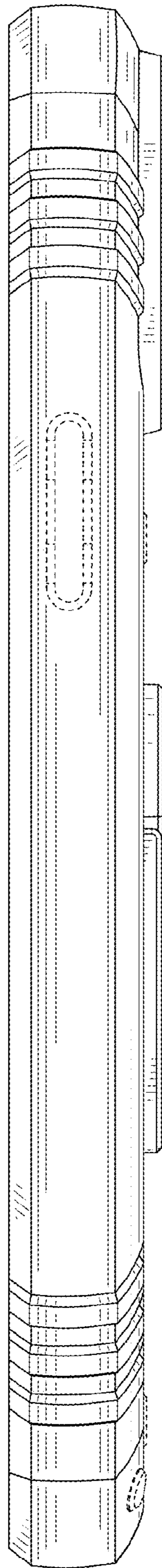


FIG. 5

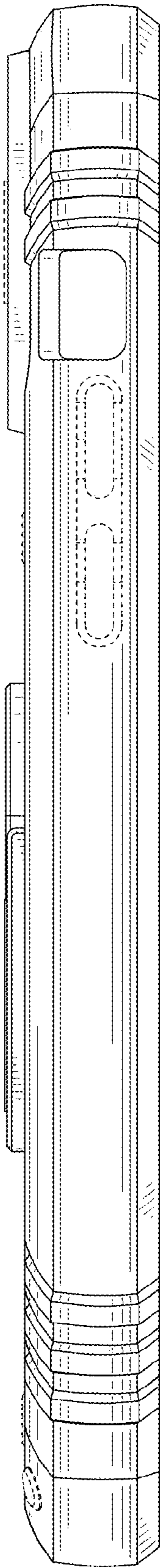


FIG. 6

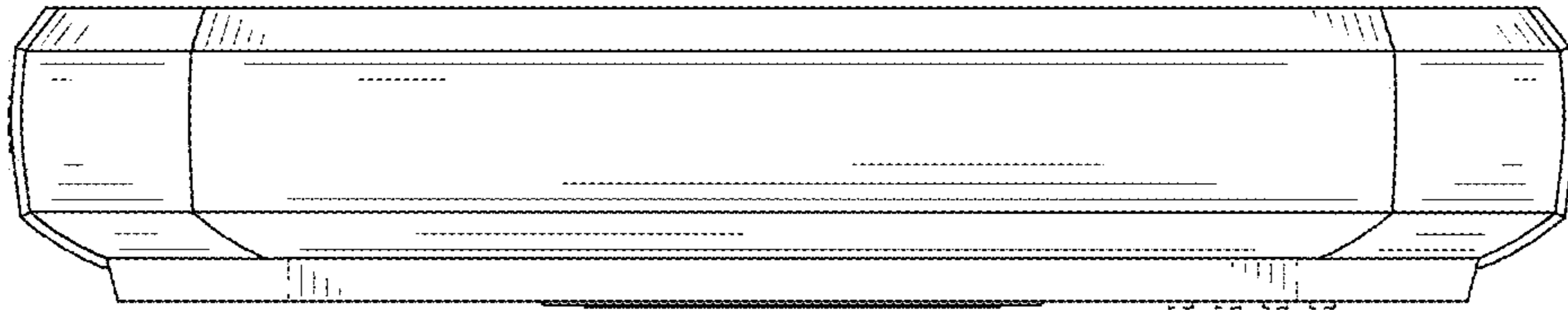


FIG. 7

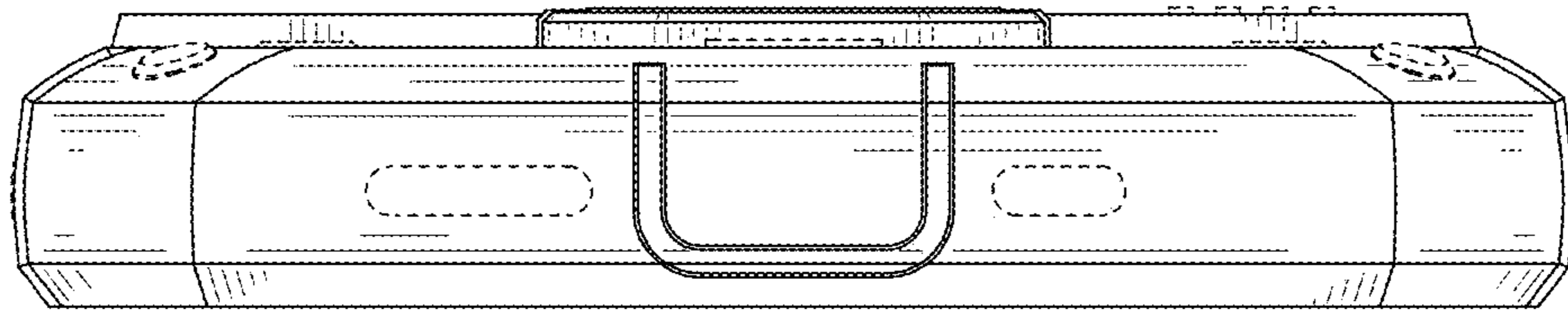


FIG. 8

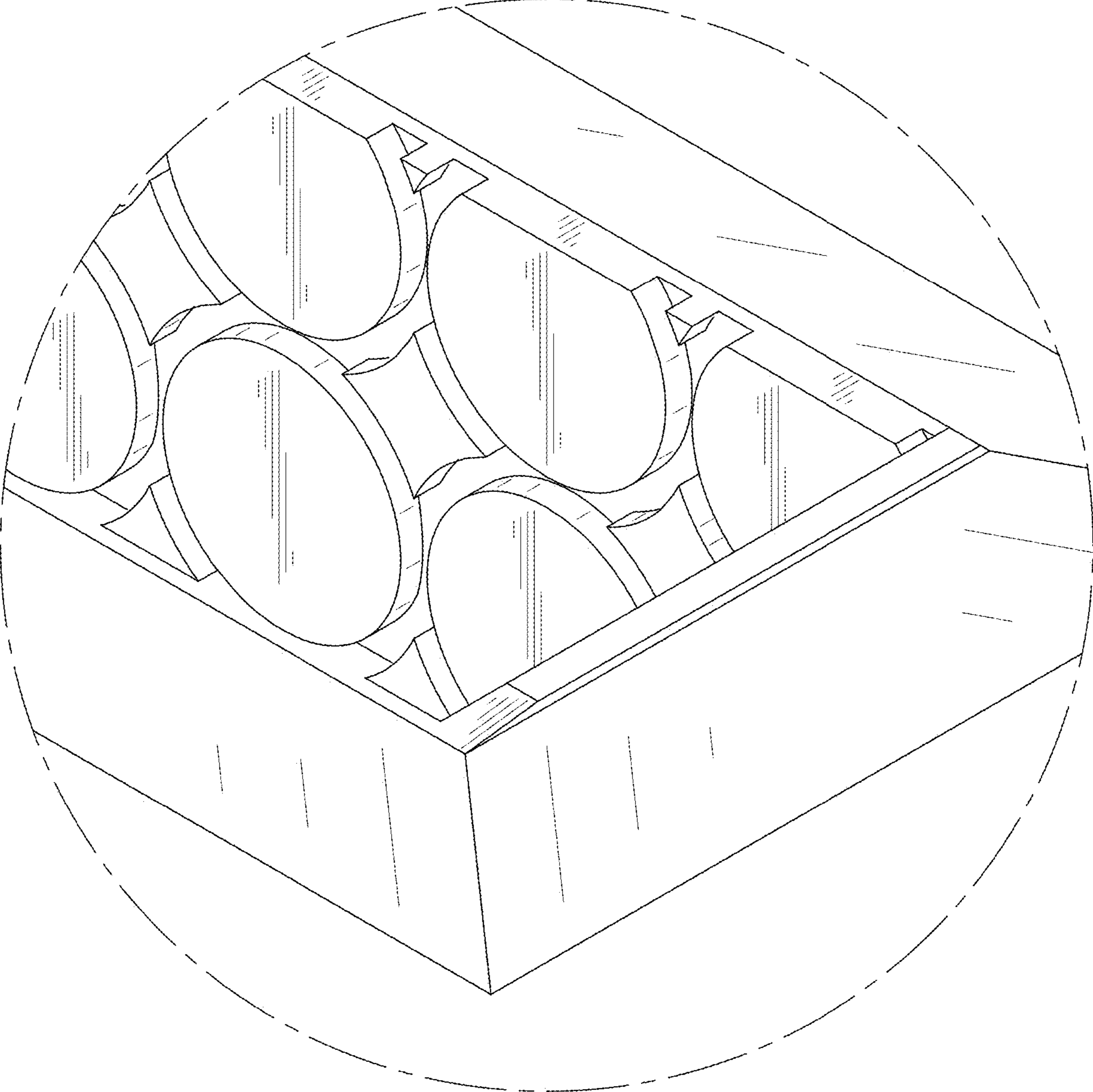


FIG. 9