



US00D976887S

(12) **United States Design Patent**  
**Goodfellow et al.**

(10) **Patent No.:** **US D976,887 S**  
(45) **Date of Patent:** **\*\* Jan. 31, 2023**

(54) **MOUNT AND MODULE COMBINATION FOR A MOBILE COMMUNICATIONS DEVICE**

(71) Applicant: **Juggernaut Defense, LLC**, Scottsdale, AZ (US)

(72) Inventors: **Andrew C. Goodfellow**, Scottsdale, AZ (US); **Thomas Muday**, Scottsdale, AZ (US); **Chris Stalzer**, Scottsdale, AZ (US)

(73) Assignee: **Juggernaut Defense, LLC**, Scottsdale, AZ (US)

(\*\*) Term: **15 Years**

(21) Appl. No.: **29/676,092**

(22) Filed: **Jan. 8, 2019**

(51) **LOC (14) Cl.** ..... **14-03**

(52) **U.S. Cl.**  
USPC ..... **D14/250**

(58) **Field of Classification Search**  
USPC ..... D14/143, 199, 201, 202, 217, 250, 251, D14/253, 440, 447, 316; D13/103, 119  
(Continued)

(56) **References Cited**

**U.S. PATENT DOCUMENTS**

D626,559 S \* 11/2010 Green ..... D14/447  
D635,555 S \* 4/2011 Giles ..... D3/218  
(Continued)

**OTHER PUBLICATIONS**

“Juggernaut Defense Introduces New Cases” [online]. soldiersystems.net. [Published on Feb. 20, 2013]. Retrieved from the Internet: <<https://soldiersystems.net/2013/02/20/juggernaut-defense-introduces-new-cases/>>.\*

(Continued)

*Primary Examiner* — Mojtaba Tehrani

(74) *Attorney, Agent, or Firm* — Polsinelli PC

(57) **CLAIM**

The ornamental design for a mount and module combination for a mobile communications device, as shown and described.

**DESCRIPTION**

FIG. 1 is a perspective view of a mount and module combination for a mobile communications device.

FIG. 2 is front view of the mount and module combination for a mobile communications device.

FIG. 3 is a rear view of the mount and module combination for a mobile communications device.

FIG. 4 is a side view of the mount and module combination for a mobile communications device.

FIG. 5 is an opposite side view of the mount and module combination for a mobile communications device.

FIG. 6 is an end view of the mount and module combination for a mobile communications device.

FIG. 7 is an opposite end view of the mount and module combination for a mobile communications device.

FIG. 8 is a perspective view of the mount for the mount and module combination for a mobile communications device.

FIG. 9 is a front view of the mount for the mount and module combination for a mobile communications device.

FIG. 10 is a rear view of the mount for the mount and module combination for a mobile communications device.

FIG. 11 is an end view of the mount for the mount and module combination for a mobile communications device.

FIG. 12 is an opposite end view of the mount for the mount and module combination for a mobile communications device.

FIG. 13 is a side view of the mount for the mount and module combination for a mobile communications device.

FIG. 14 is an opposite side view of the mount for the mount and module combination for a mobile communications device.

FIG. 15 is a perspective view of the module for the mount and module combination for a mobile communications device.

FIG. 16 is a front view of the module for the mount and module combination for a mobile communications device.

(Continued)

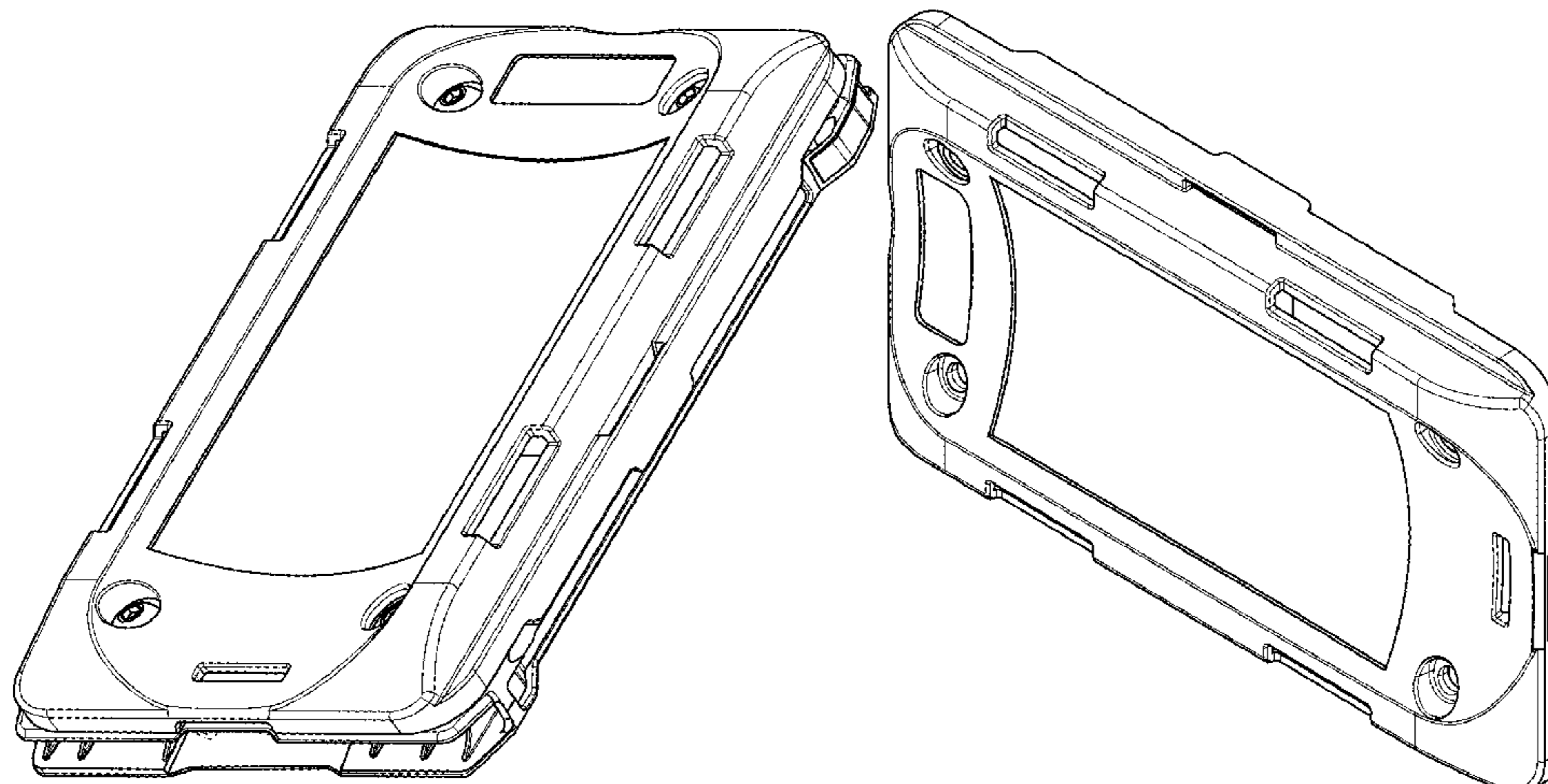


FIG. 17 is a rear view of the module for the mount and module combination for a mobile communications device. FIG. 18 is an end view of the module for the mount and module combination for a mobile communications device. FIG. 19 is an opposite end view of the module for the mount and module combination for a mobile communications device. FIG. 20 is a side view of the module for the mount and module combination for a mobile communications device; and, FIG. 21 is an opposite side view of the module for the mount and module combination for a mobile communications device. The broken line in the drawings discloses the unclaimed portions of the mount and module combination for a mobile communications device only and forms no part of the claimed design.

**1 Claim, 12 Drawing Sheets**

(58) **Field of Classification Search**

CPC ..... H04M 1/0283; H04M 1/0202; A45C 1/06; A45C 2011/002; A45C 11/00; A45F 2005/028; A45F 2200/0525  
See application file for complete search history.

(56) **References Cited**

U.S. PATENT DOCUMENTS

D692,006 S \* 10/2013 Fujioka ..... D14/440  
D721,690 S \* 1/2015 Kim ..... D14/250

D721,691 S \* 1/2015 Kim ..... D14/250  
D721,692 S \* 1/2015 Kim ..... D14/250  
D728,552 S \* 5/2015 Kim ..... D14/250  
D728,553 S \* 5/2015 Kim ..... D14/250  
D770,434 S \* 11/2016 Choe ..... D14/250  
D812,622 S \* 3/2018 Moon ..... D14/440  
D837,794 S \* 1/2019 Chan ..... D14/440  
D885,623 S \* 5/2020 Qiu ..... D26/38  
D894,193 S \* 8/2020 Oberpriller ..... D14/440  
D913,271 S \* 3/2021 Peng ..... D14/253  
10,938,230 B2 \* 3/2021 Goodfellow ..... H02J 50/10  
D922,993 S \* 6/2021 Chung ..... D3/218  
11,109,496 B2 \* 8/2021 Williams ..... E05B 73/0082  
D941,280 S \* 1/2022 Mihalka ..... D14/250  
D950,543 S \* 5/2022 Zhang ..... D12/415  
2013/0258573 A1 \* 10/2013 Muday ..... G06F 1/1628  
361/679.01  
2020/0350944 A1 \* 11/2020 Goodfellow ..... H04B 1/385

OTHER PUBLICATIONS

“Sneak Peek—New Juggernaut Case” [online]. soldiersystems.net. [Published on Mar. 17, 2015]. Retrieved from the Internet: <<https://soldiersystems.net/2015/03/17/sneak-peek-new-juggernaut-case/>>.\*  
“Juggernaut.Case Forearm.Mount” [online]. soldiersystems.net. [Published on Jan. 6, 2017]. Retrieved from the Internet: <<https://soldiersystems.net/2017/01/06/juggernaut-case-forearm-mount/>>.\*  
“Juggernaut.Case—IMPCT—Vehicle.Mount Platform—Compatible with RAM Mount Hardware—Flat Black” [online]. Juggernaut.Case. [Available as early as Apr. 12, 2019]. Retrieved from the Internet: <<https://www.amazon.com/dp/B07J3FK7R1/>>.\*

\* cited by examiner

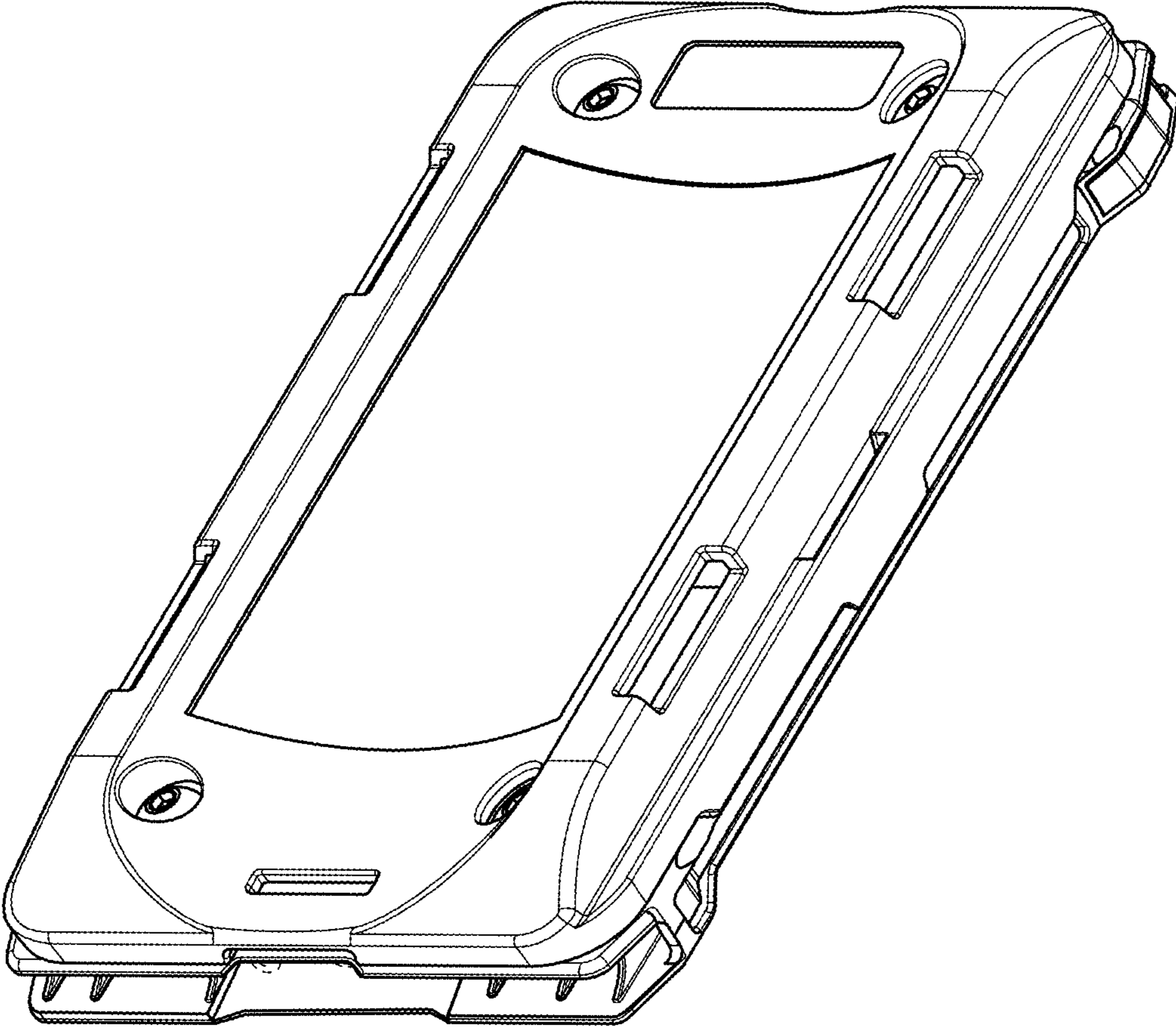


FIG. 1

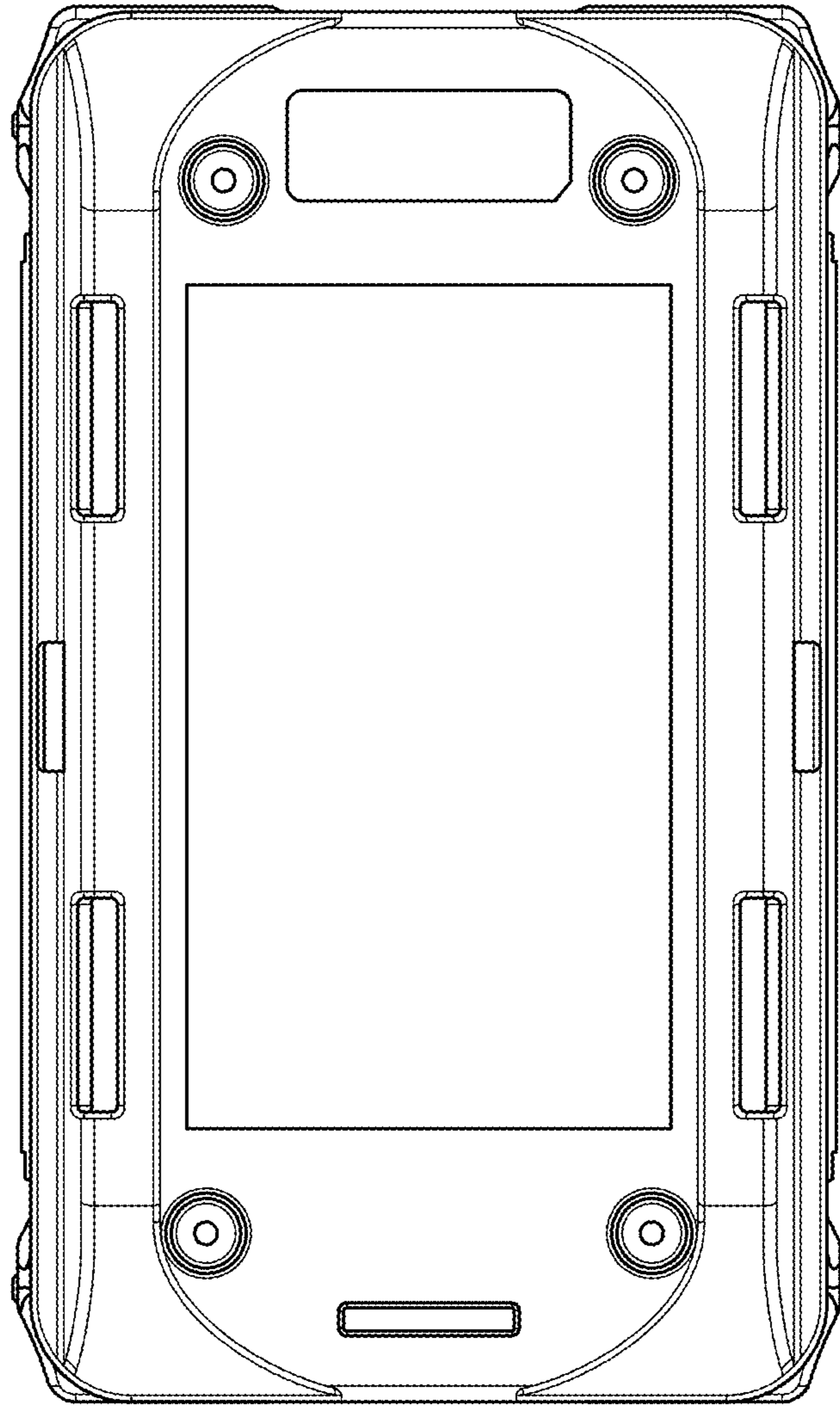


FIG. 2

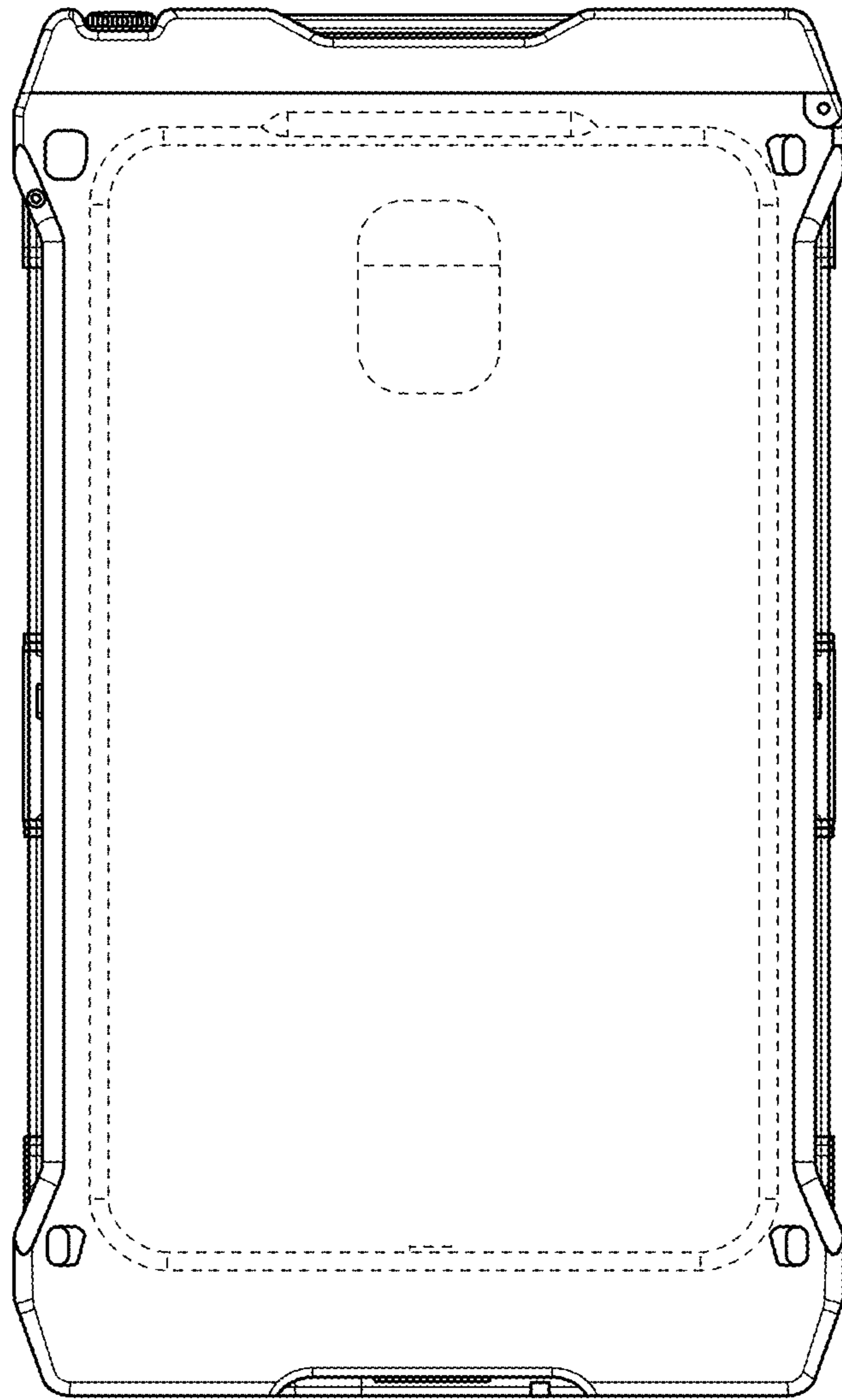


FIG. 3

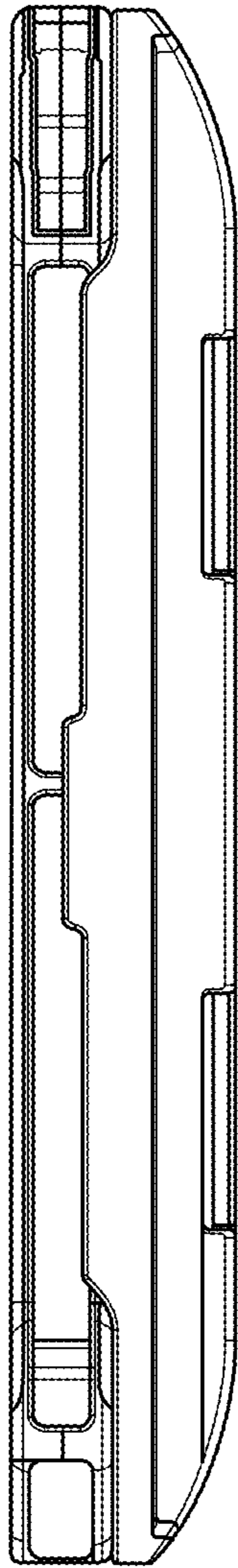


FIG. 4

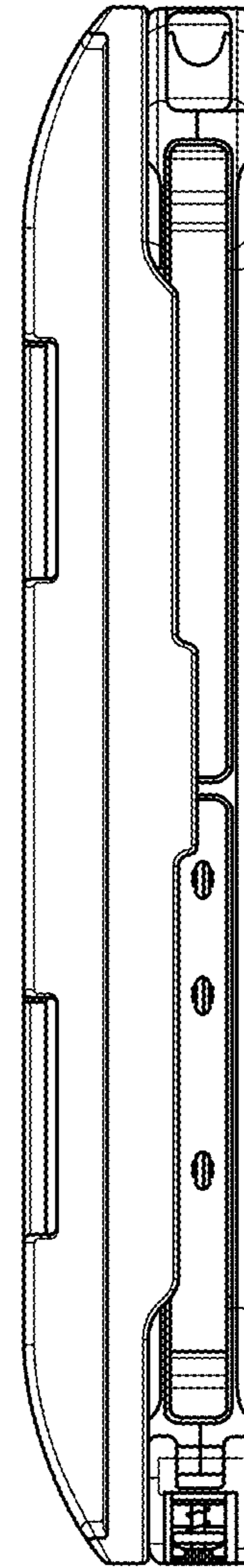


FIG. 5

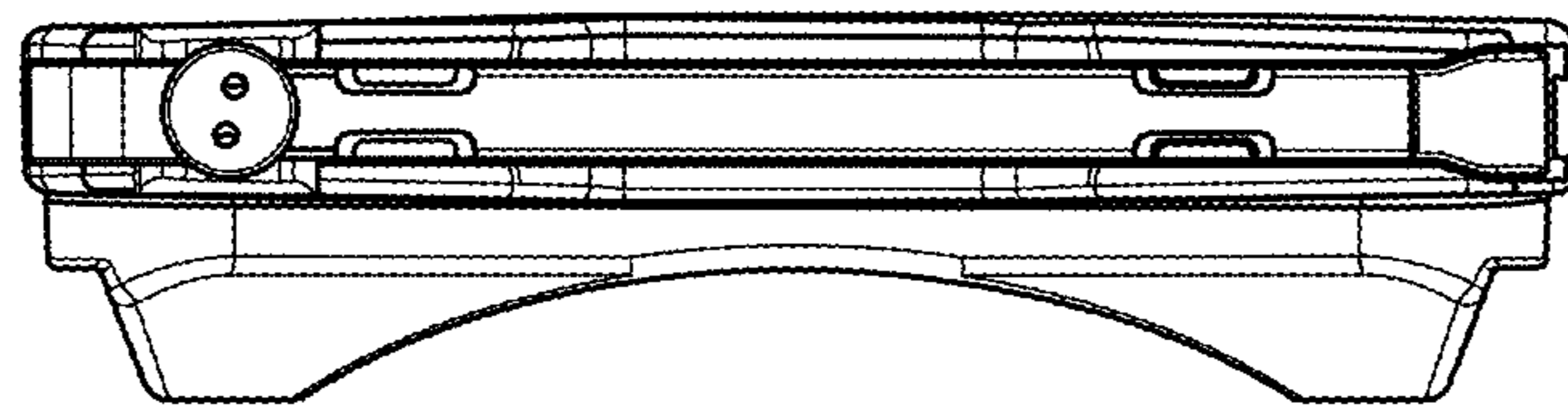


FIG. 6

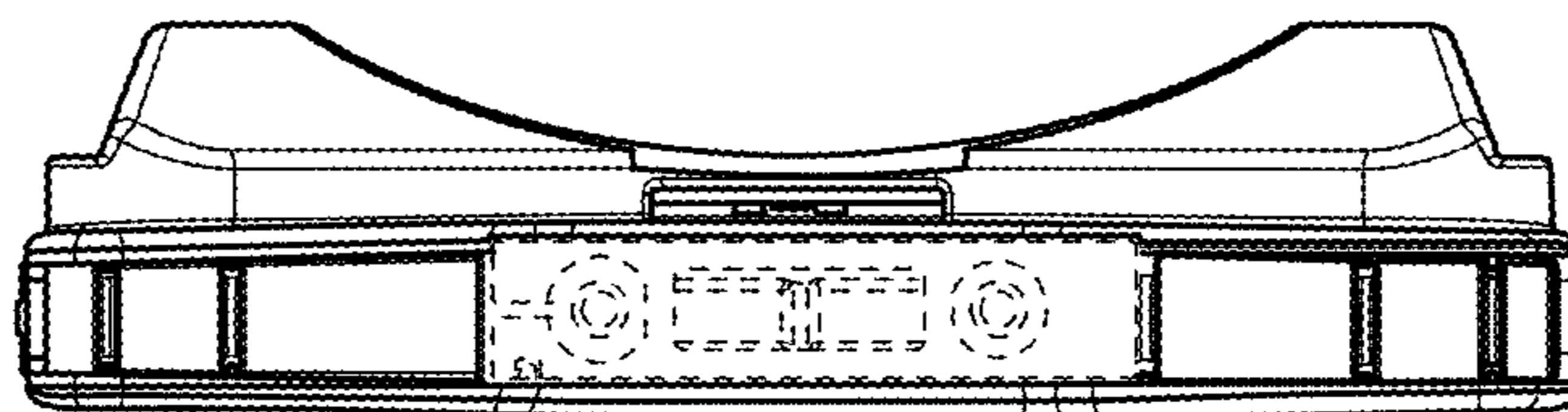


FIG. 7

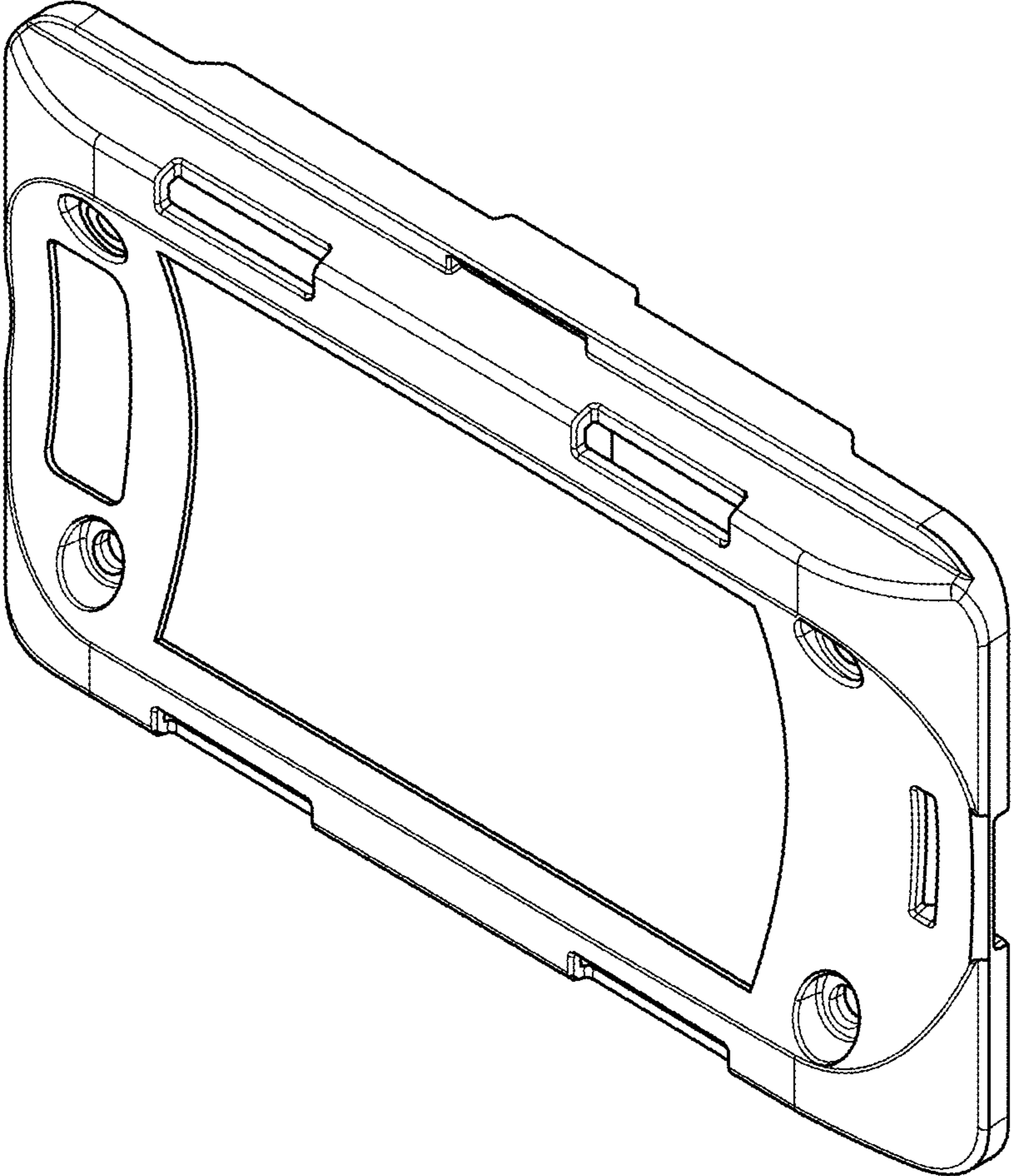


FIG. 8



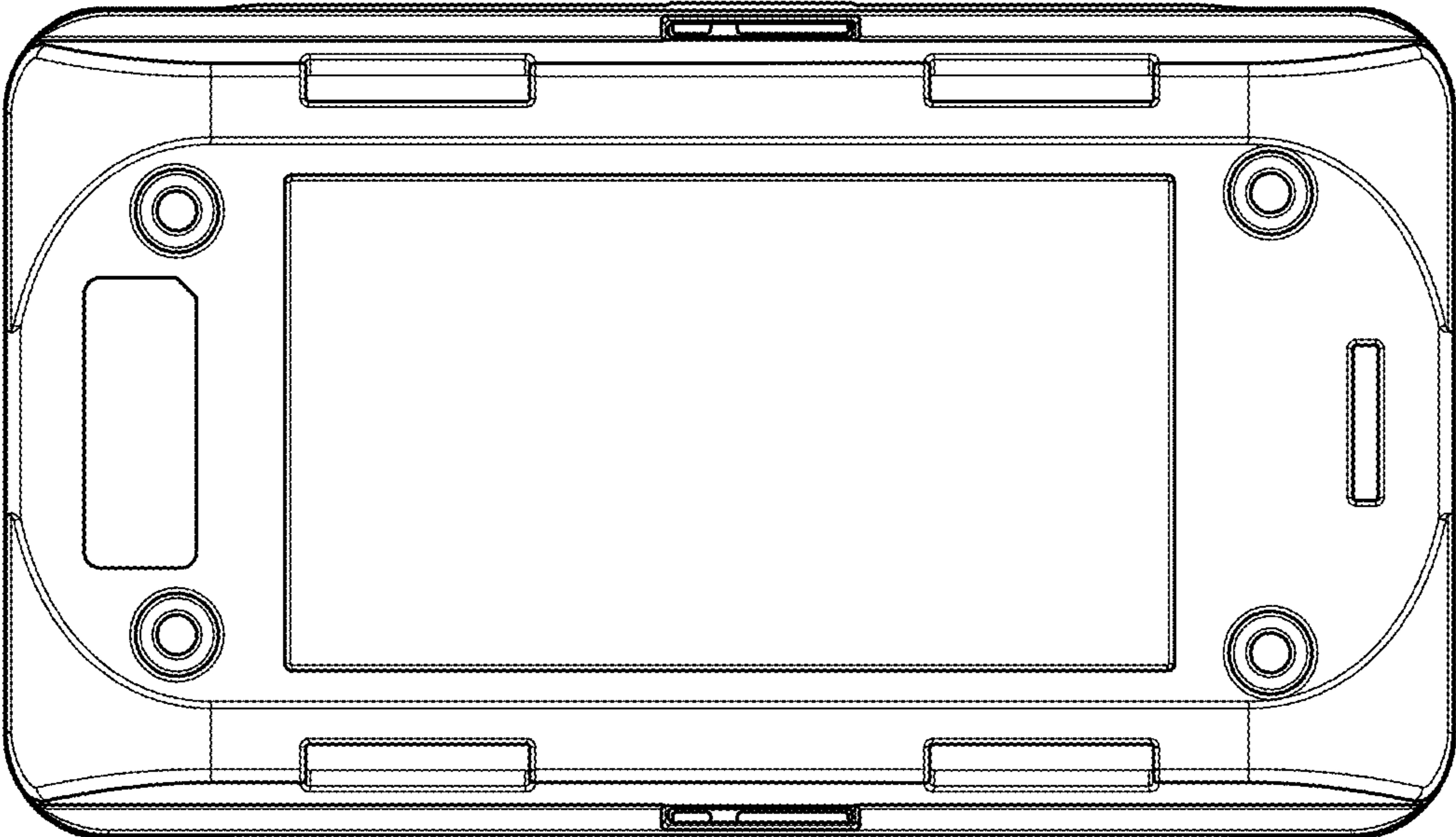


FIG. 9

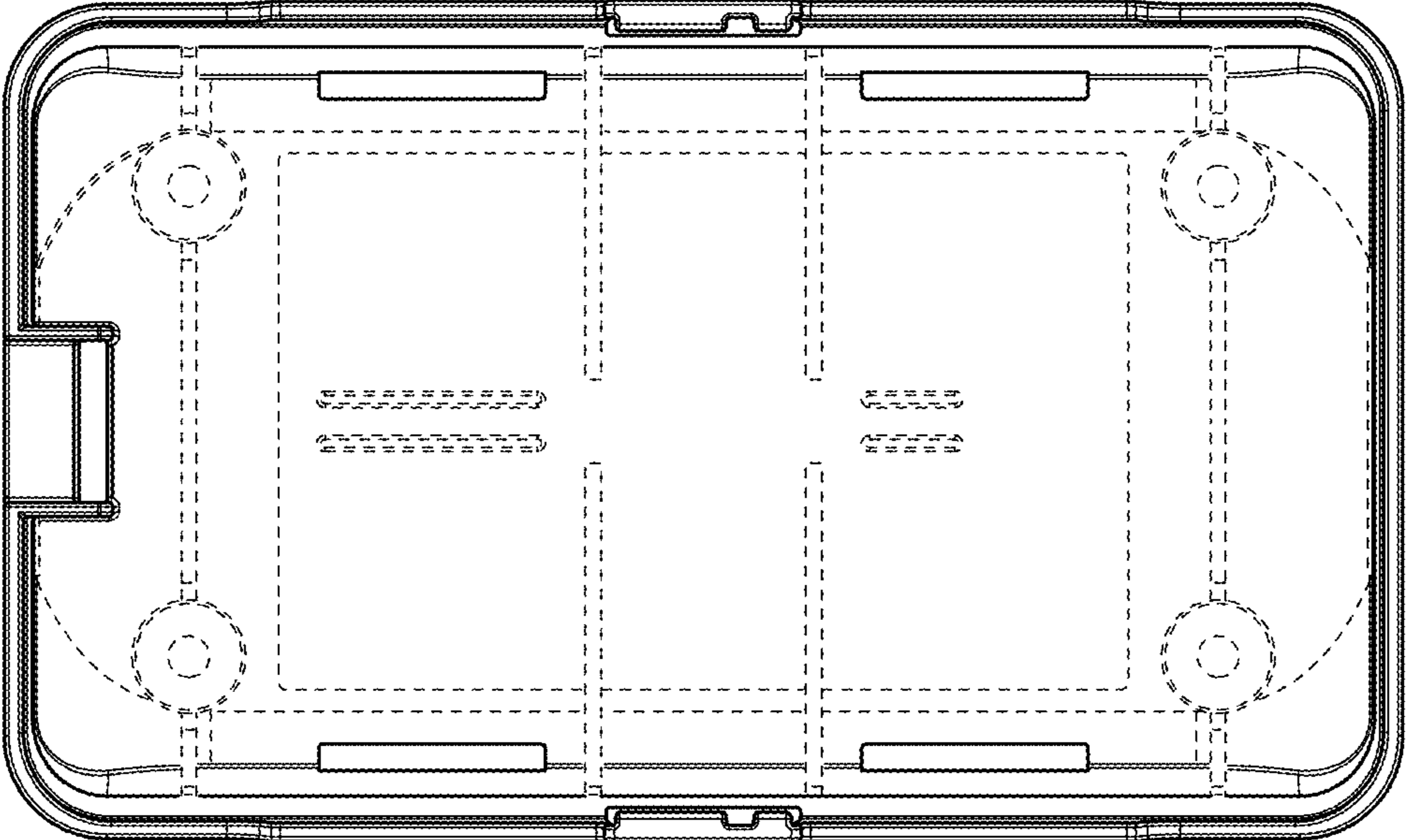


FIG. 10

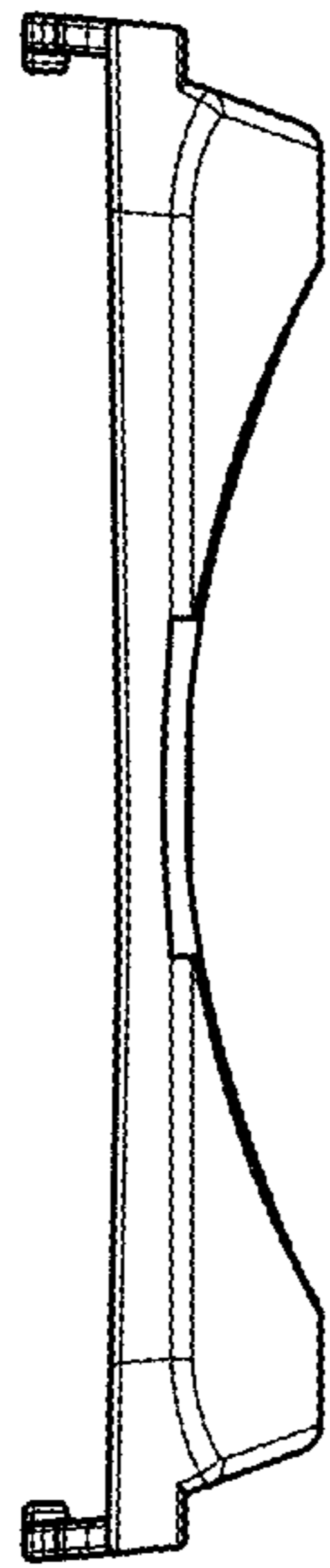


FIG. 11

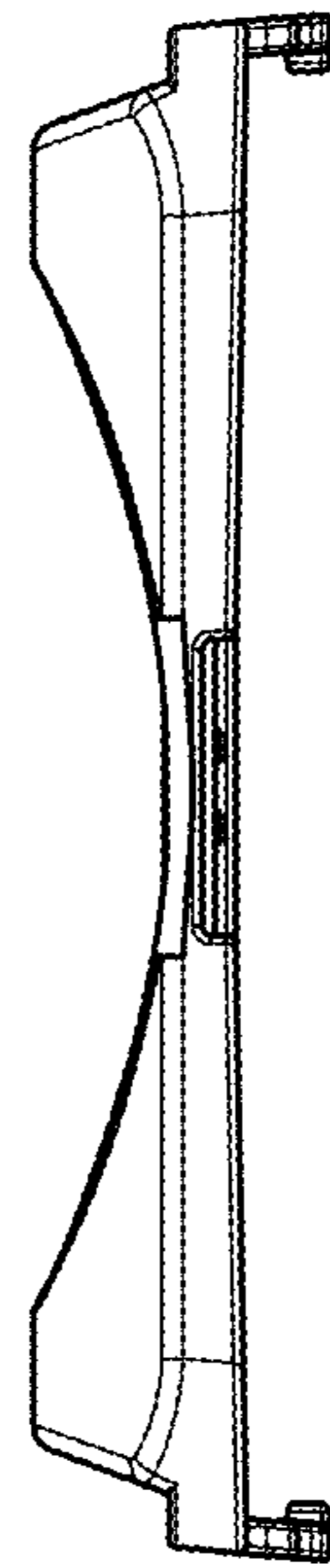


FIG. 12

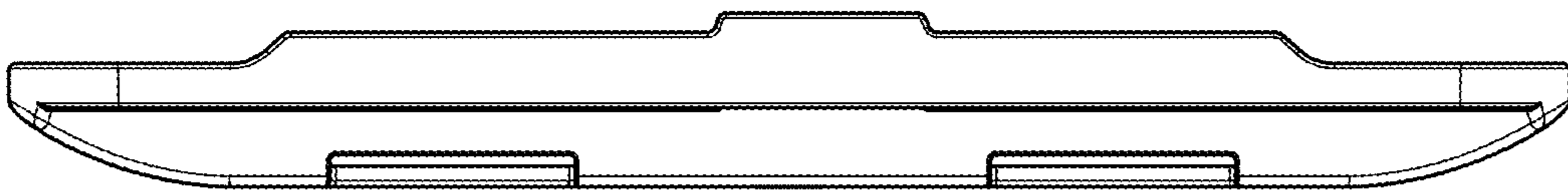


FIG. 13

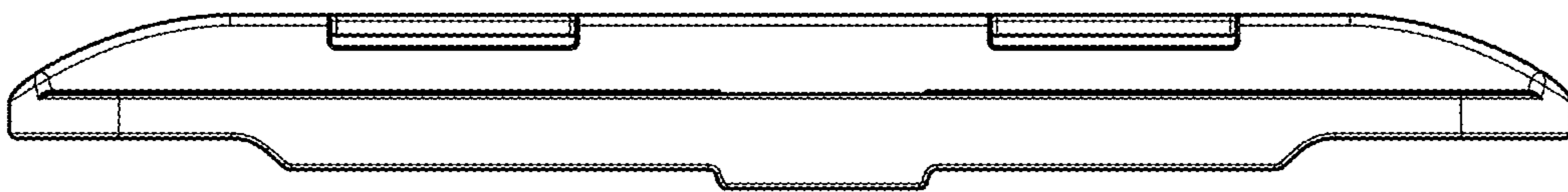


FIG. 14

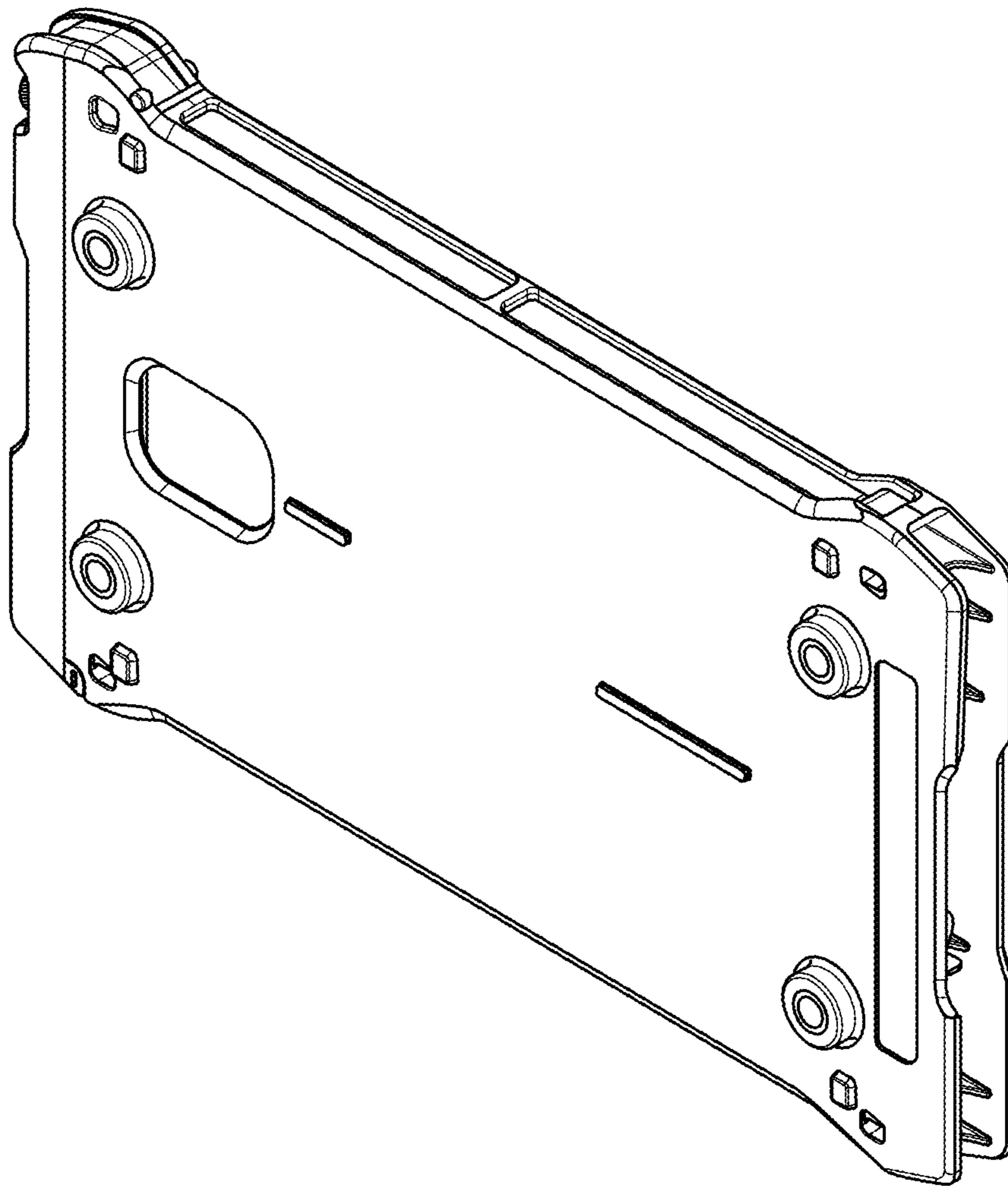


FIG. 15

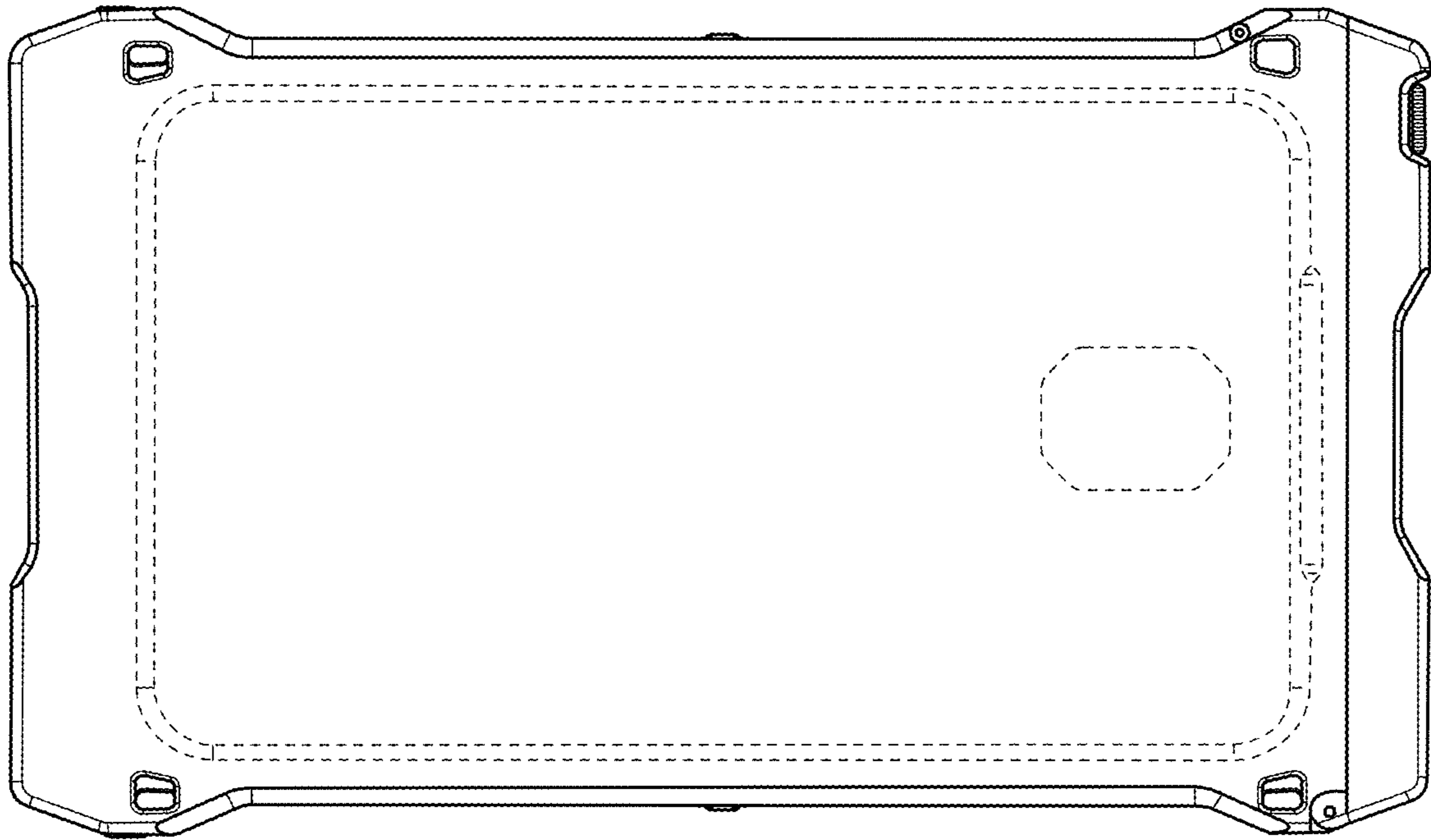


FIG. 16

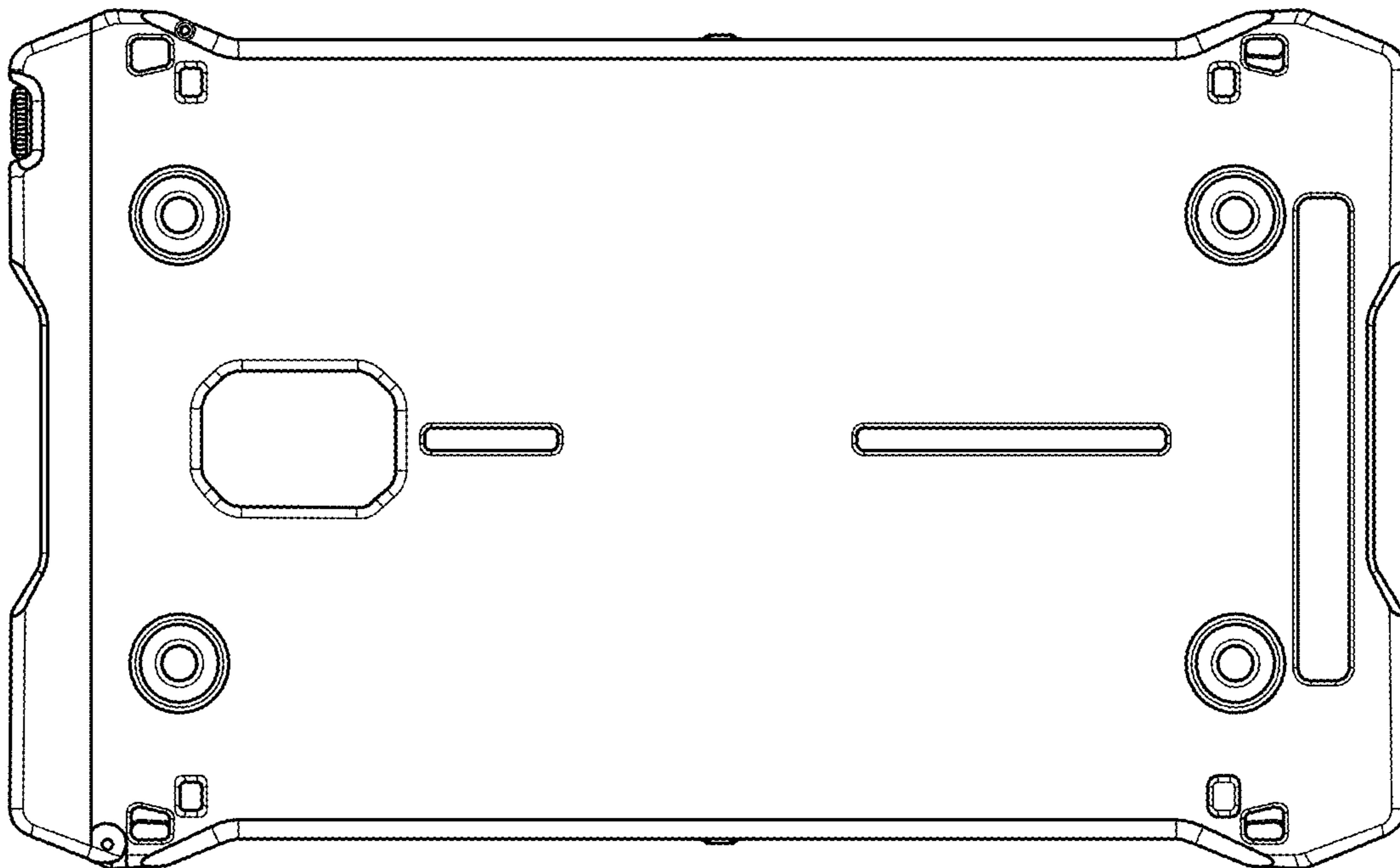


FIG. 17

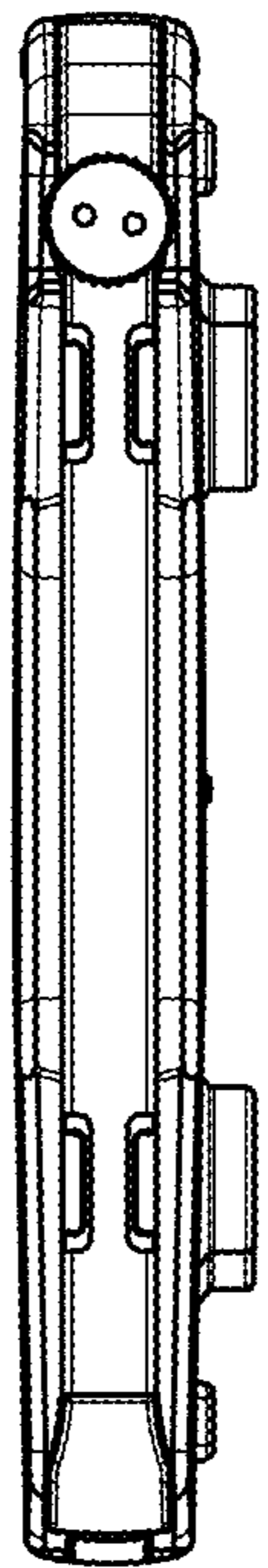


FIG. 18

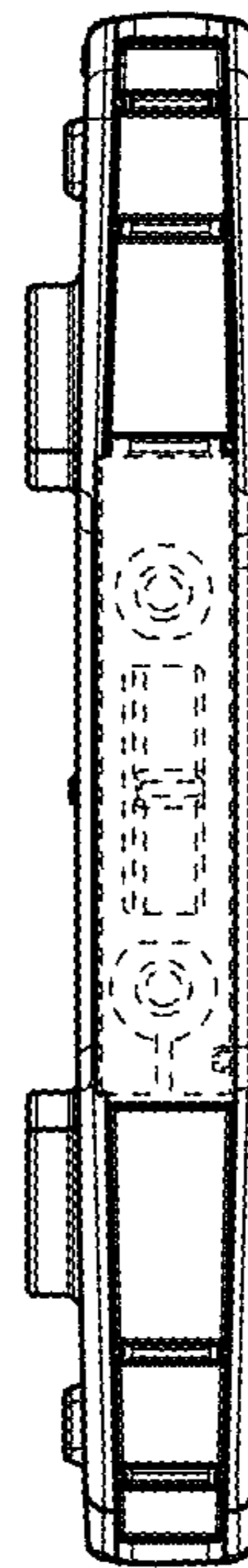


FIG. 19

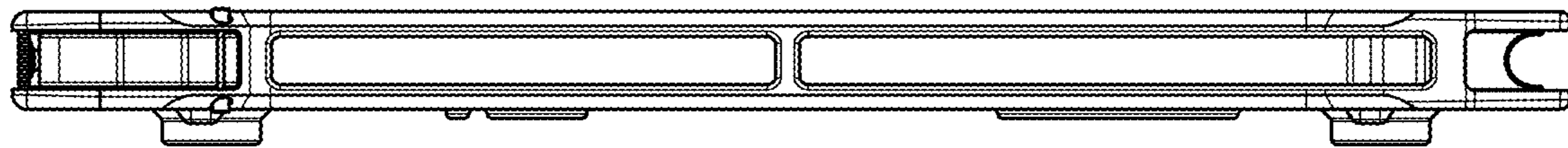


FIG. 20

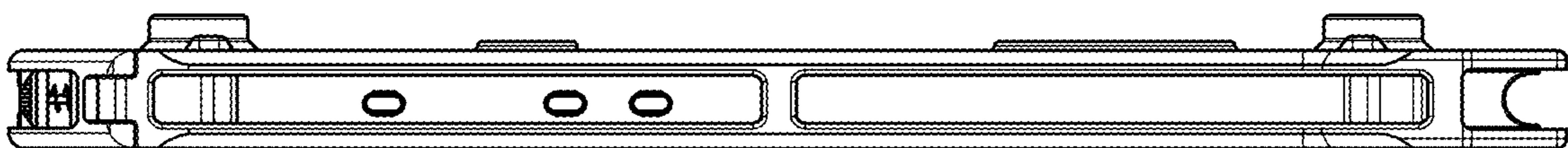


FIG. 21