

US00D976884S

(12) **United States Design Patent**  
**Koyama et al.**

(10) **Patent No.:** **US D976,884 S**  
(45) **Date of Patent:** **\*\* Jan. 31, 2023**

(54) **ANTENNA**

(71) Applicant: **Japan Aviation Electronics Industry, Limited**, Tokyo (JP)

(72) Inventors: **Mariko Koyama**, Tokyo (JP); **Keishi Kosaka**, Tokyo (JP); **Hiroshi Toyao**, Tokyo (JP); **Yasuhiko Matsunaga**, Tokyo (JP); **Eiji Hankui**, Tokyo (JP); **Osamu Hashiguchi**, Tokyo (JP); **Takeshi Ebisawa**, Tokyo (JP)

(73) Assignee: **JAPAN AVIATION ELECTRONICS INDUSTRY, LIMITED**, Tokyo (JP)

(\*\*) Term: **15 Years**

(21) Appl. No.: **29/775,207**

(22) Filed: **Mar. 22, 2021**

(30) **Foreign Application Priority Data**

Nov. 6, 2020 (JP) ..... 2020-023982 D

(51) **LOC (14) Cl.** ..... **14-03**

(52) **U.S. Cl.**  
USPC ..... **D14/230**

(58) **Field of Classification Search**  
USPC .... D14/230-239, 238.1, 299, 358, 432, 433, D14/434, 435.1, 438; D13/182, 120, 121, D13/133, 146, 147, 153, 199, 154, 156, D13/184  
CPC ..... H01Q 1/088; H01Q 3/10; H01Q 21/00; H04B 7/0608; A61B 2018/1892  
See application file for complete search history.

(56) **References Cited**

**U.S. PATENT DOCUMENTS**

D555,154 S \* 11/2007 Lin ..... D14/230  
D636,764 S \* 4/2011 Mi ..... D14/230  
D786,840 S \* 5/2017 He ..... D14/230  
D807,864 S \* 1/2018 He ..... D14/230

D868,759 S \* 12/2019 He ..... D14/230  
D904,357 S \* 12/2020 He ..... D14/230  
D911,979 S \* 3/2021 Ueda ..... D13/147  
11,063,360 B2 \* 7/2021 Hashiguchi ..... H01Q 7/00  
D926,736 S \* 8/2021 Kosaka ..... D14/230  
D927,468 S \* 8/2021 Kosaka ..... D14/230  
D945,374 S \* 3/2022 Shimomaki ..... D13/147  
2010/0171664 A1 \* 7/2010 Yang ..... H01Q 9/0414  
343/700 MS

(Continued)

**FOREIGN PATENT DOCUMENTS**

CN 307223481 \* 4/2022  
JP D1702850 \* 12/2021

*Primary Examiner* — Daniel J Domino

*Assistant Examiner* — Samina Vieth

(74) *Attorney, Agent, or Firm* — Manabu Kanesaka

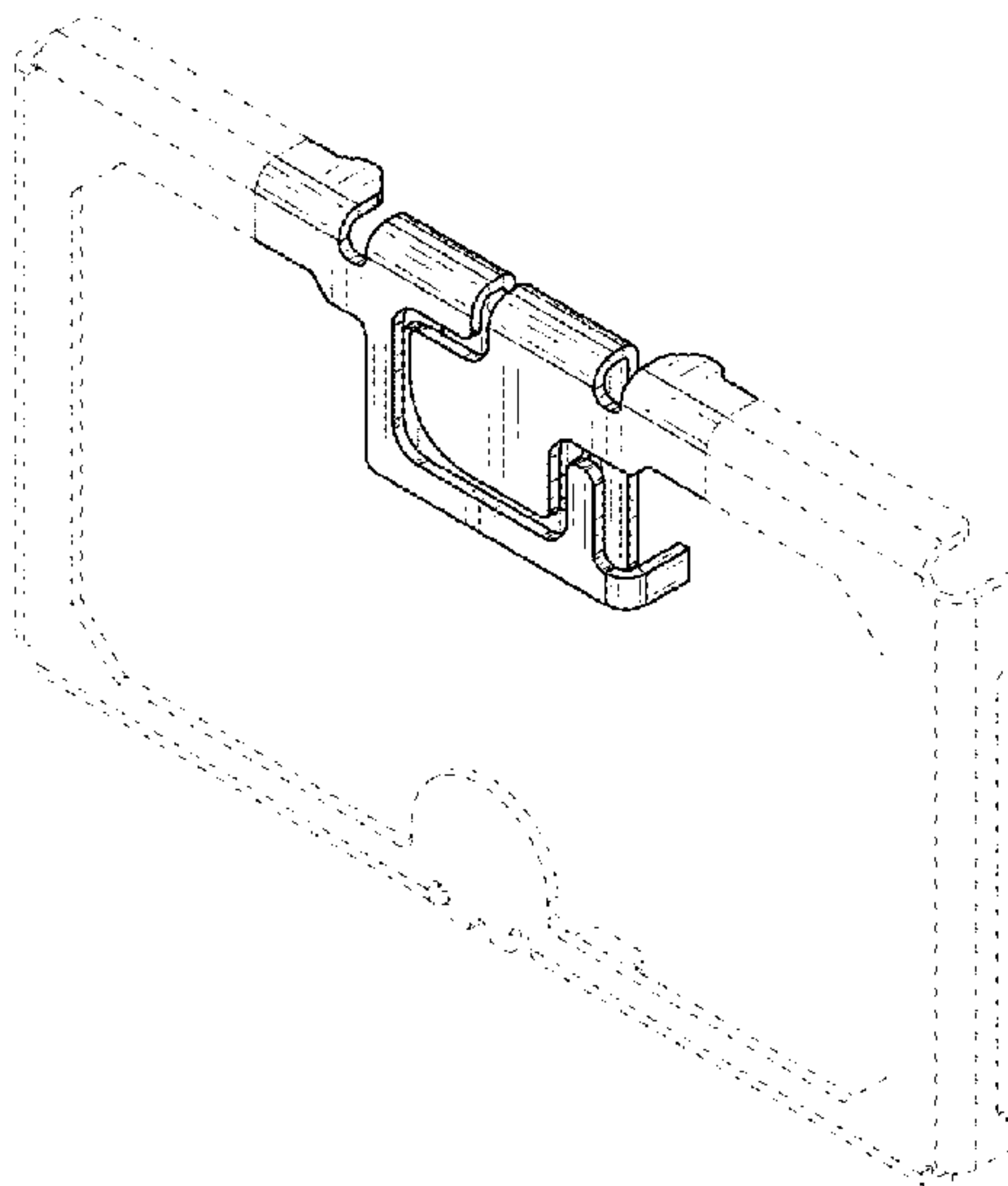
(57) **CLAIM**

The ornamental design for an antenna, as shown and described.

**DESCRIPTION**

FIG. 1 is a front elevational view of an antenna showing our new design;  
FIG. 2 is a rear elevational view thereof;  
FIG. 3 is a right side elevational view thereof;  
FIG. 4 is a left side elevational view thereof;  
FIG. 5 is a top plan view thereof;  
FIG. 6 is a bottom plan view thereof;  
FIG. 7 is a perspective view showing a front, top and right side thereof; and,  
FIG. 8 is a perspective view showing a rear, bottom and left side thereof.  
The dashed broken line showing of the antenna is for the purpose of illustrating portions of the article, and the dot-dash broken line defines the bounds of the claimed design. The dashed broken line and the dot-dash broken line form no part of the claimed design.

**1 Claim, 4 Drawing Sheets**



(56)

**References Cited**

U.S. PATENT DOCUMENTS

2016/0352052 A1 \* 12/2016 Yu ..... H01R 13/6585

\* cited by examiner

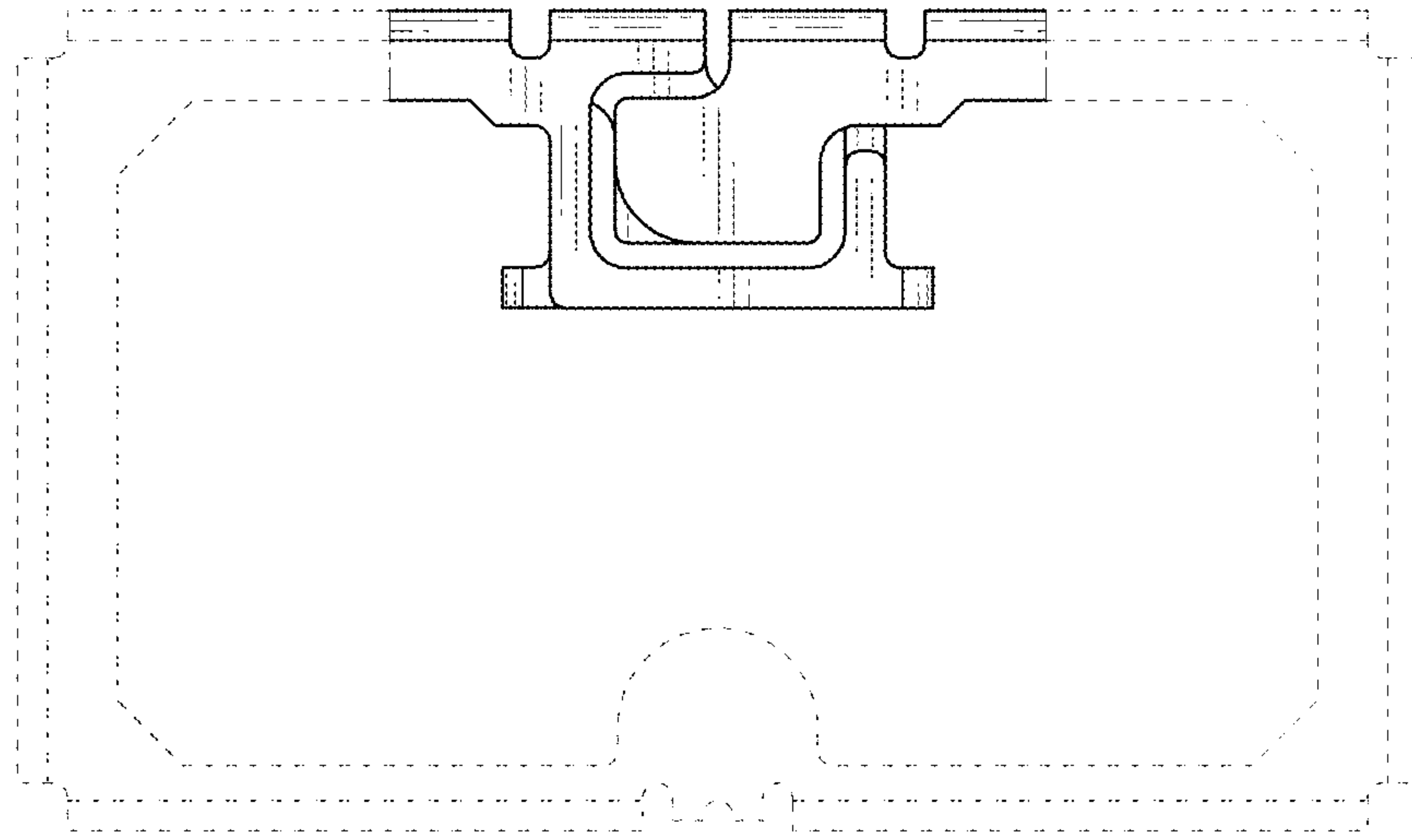


FIG. 1

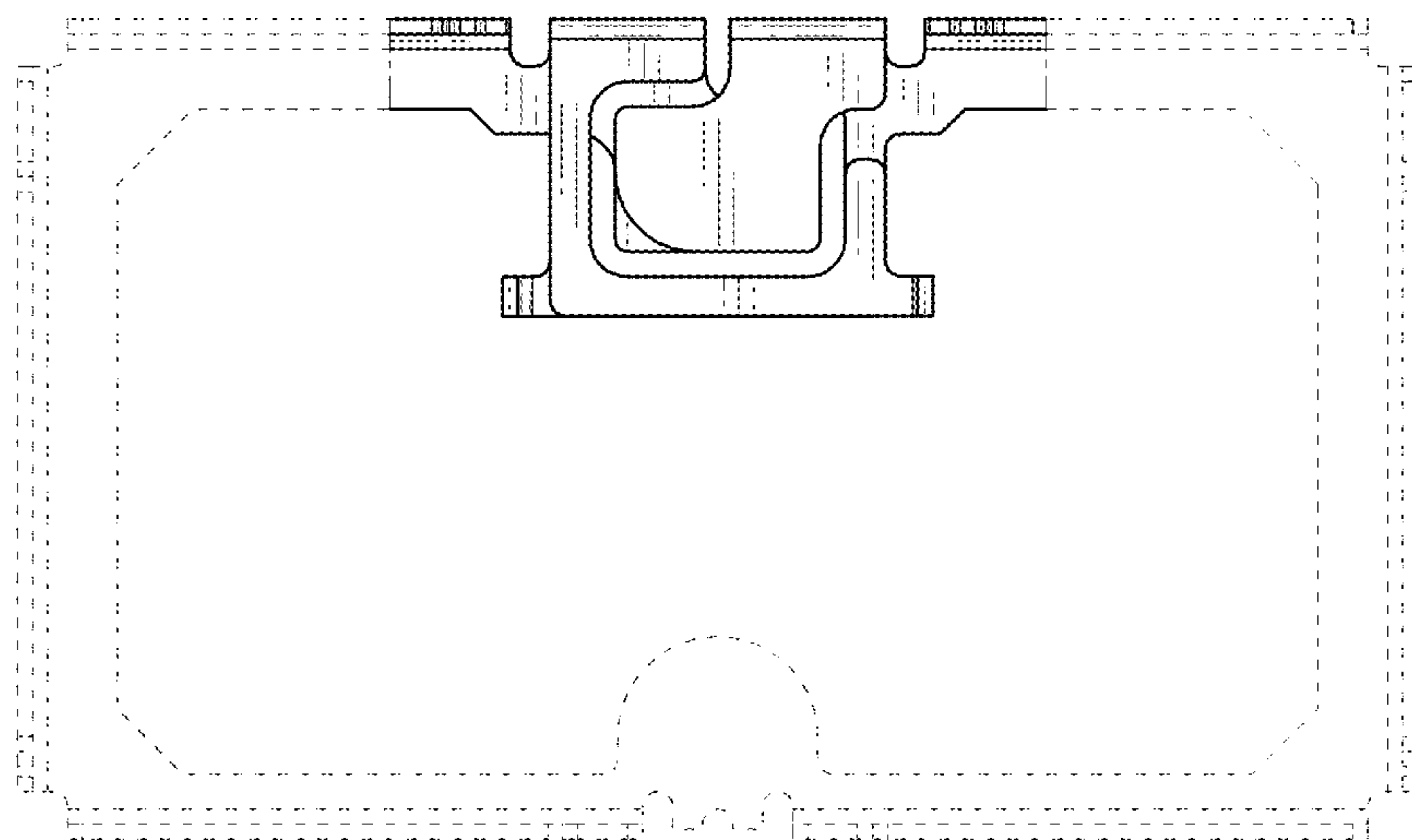


FIG. 2

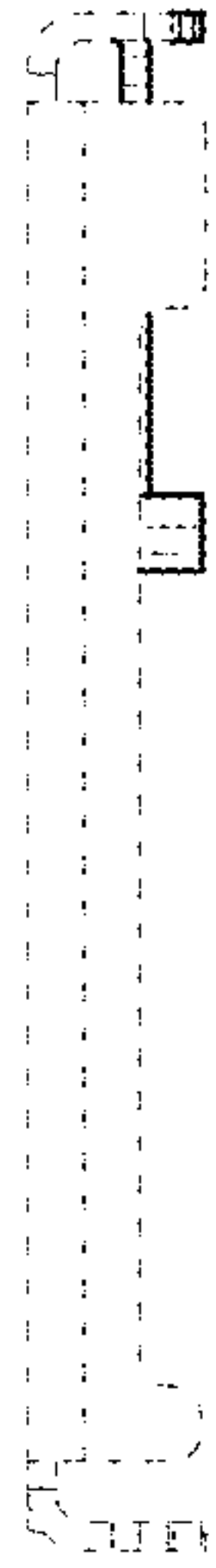


FIG. 3

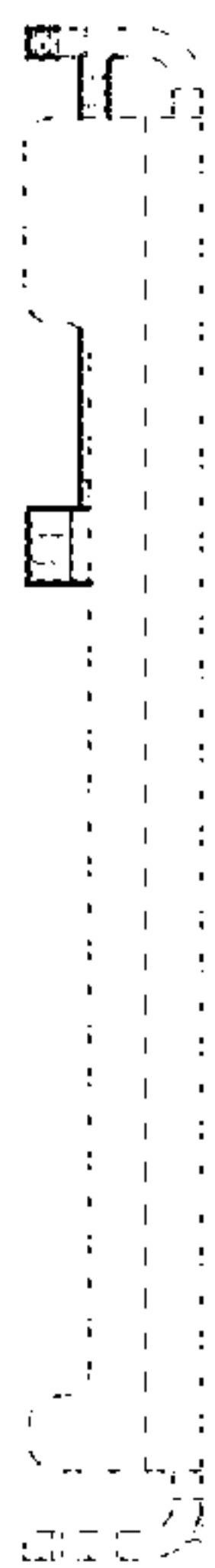


FIG. 4

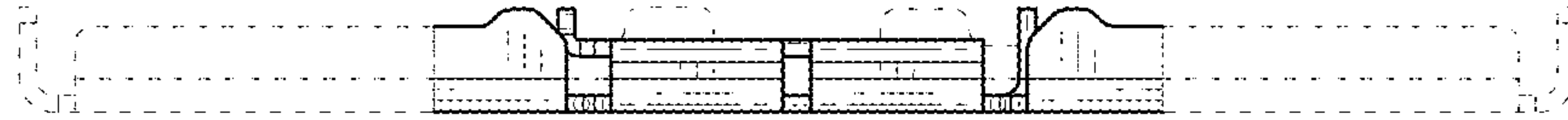


FIG. 5

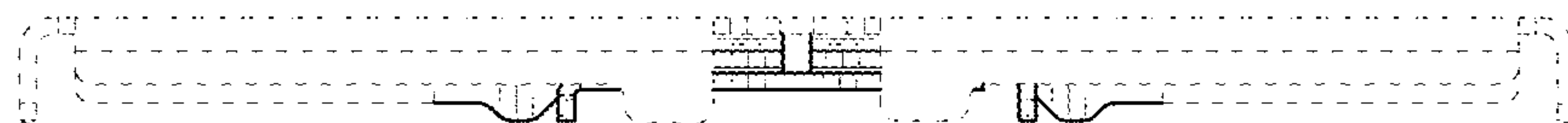


FIG. 6

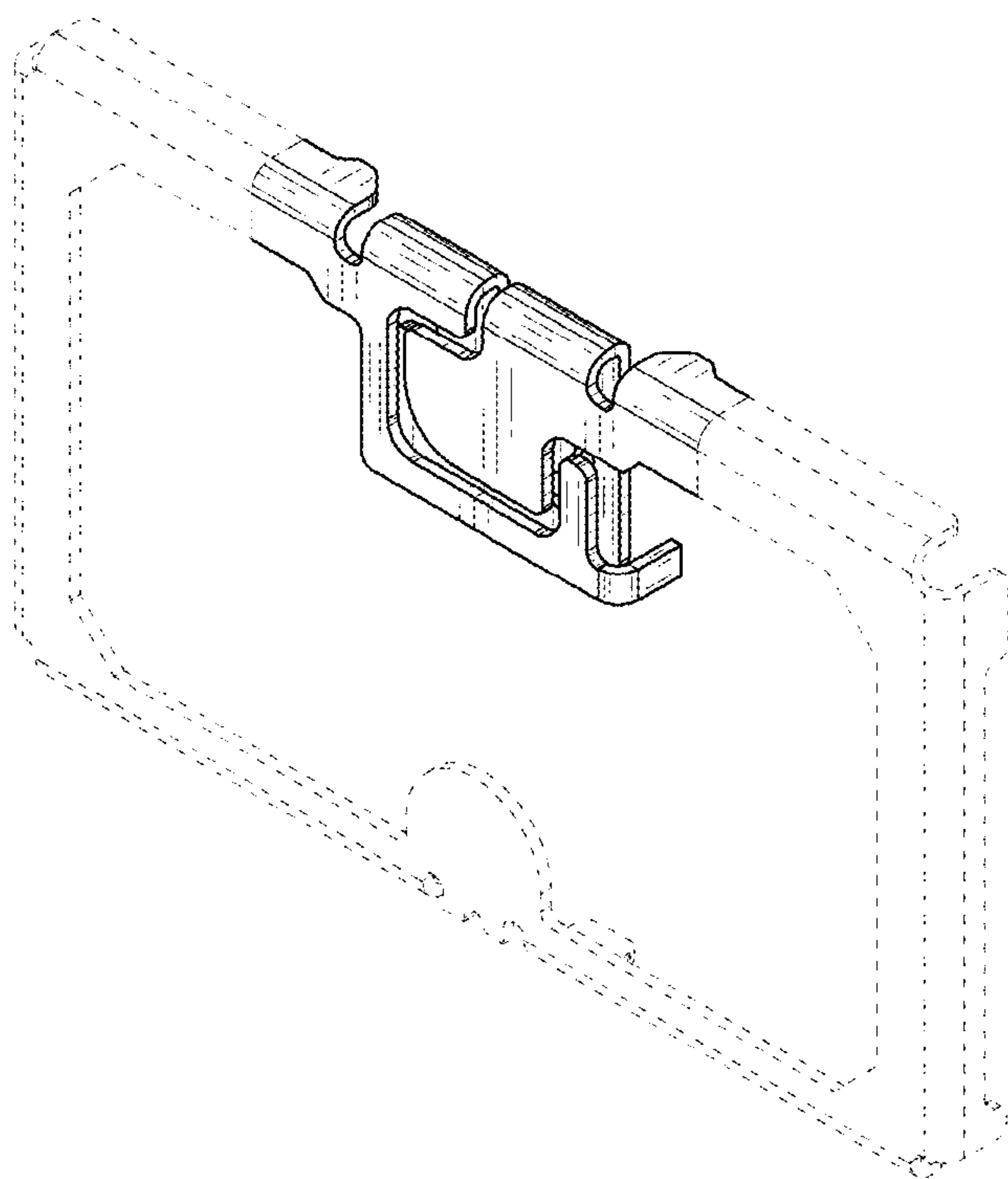


FIG. 7

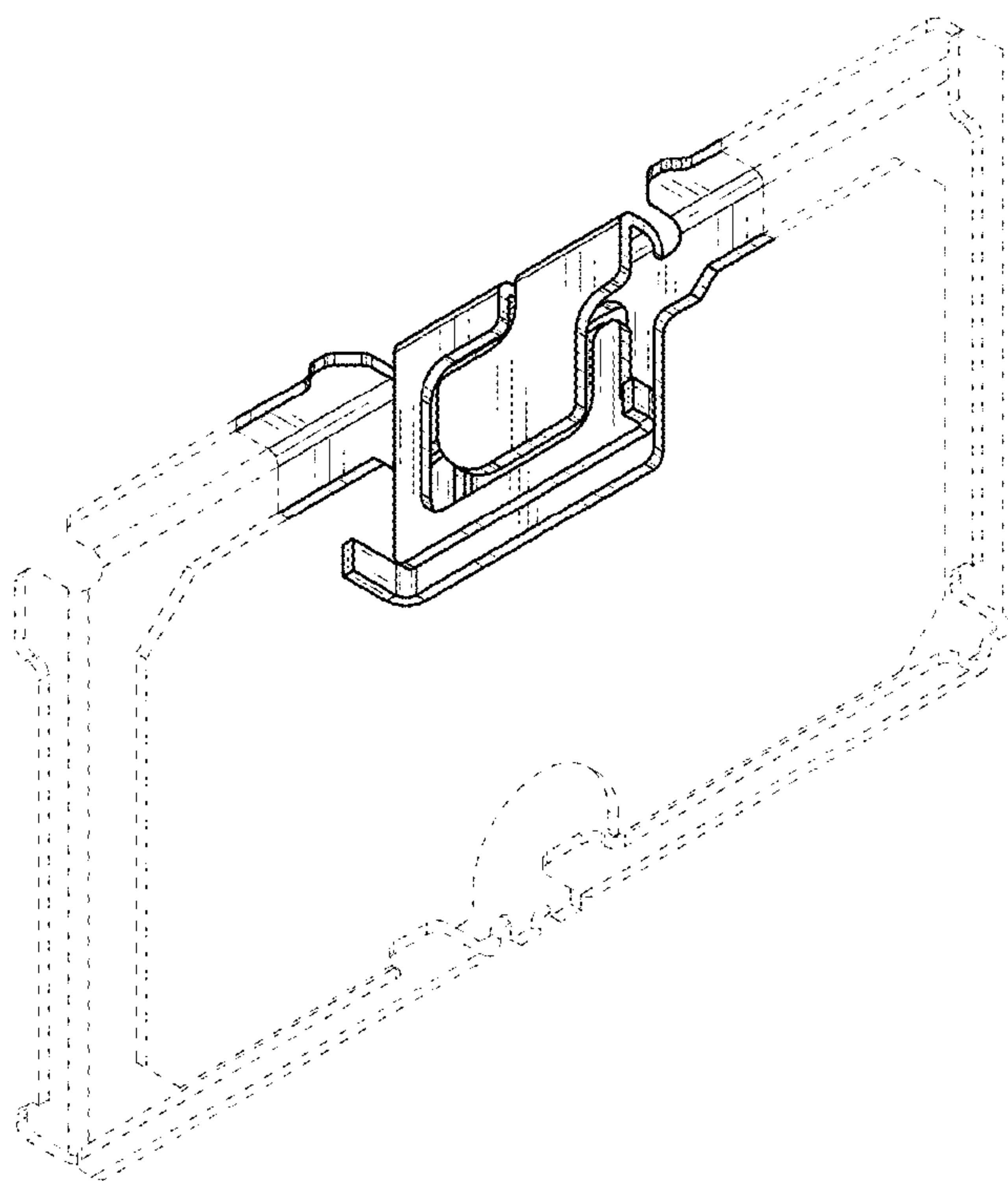


FIG. 8