



US00D976882S

(12) **United States Design Patent** (10) **Patent No.:** **US D976,882 S**
Kosaka et al. (45) **Date of Patent:** **** Jan. 31, 2023**

(54) **ANTENNA**

(71) Applicant: **Japan Aviation Electronics Industry, Limited**, Tokyo (JP)

(72) Inventors: **Keishi Kosaka**, Tokyo (JP); **Takeshi Ebisawa**, Tokyo (JP)

(73) Assignee: **JAPAN AVIATION ELECTRONICS INDUSTRY, LIMITED**, Tokyo (JP)

(**) Term: **15 Years**

(21) Appl. No.: **29/775,197**

(22) Filed: **Mar. 22, 2021**

(30) **Foreign Application Priority Data**

Nov. 4, 2020 (JP) 2020-023827 D

(51) **LOC (14) Cl.** **14-03**

(52) **U.S. Cl.**
USPC **D14/230**

(58) **Field of Classification Search**
USPC D14/230–239, 238.1, 299, 358, 432, 433, D14/434, 435.1, 438; D13/182, 120, 121, D13/133, 146, 147, 153, 199, 154, 156, D13/184
CPC H01Q 1/088; H01Q 3/10; H01Q 21/00; H04B 7/0608; A61B 2018/1892
See application file for complete search history.

(56) **References Cited**

U.S. PATENT DOCUMENTS

D555,154 S * 11/2007 Lin D14/230
D636,764 S * 4/2011 Mi D14/230
D786,840 S * 5/2017 He D14/230

D807,864 S * 1/2018 He D14/230
D868,759 S * 12/2019 He D14/230
D904,357 S * 12/2020 He D14/230
2010/0171664 A1 * 7/2010 Yang H01Q 9/0414
343/700 MS
2016/0352052 A1 * 12/2016 Yu H01R 13/6585

FOREIGN PATENT DOCUMENTS

CN 307223481 * 4/2022
JP D1702850 * 12/2021

* cited by examiner

Primary Examiner — Daniel J Domino

Assistant Examiner — Samina Vieth

(74) *Attorney, Agent, or Firm* — Manabu Kanesaka

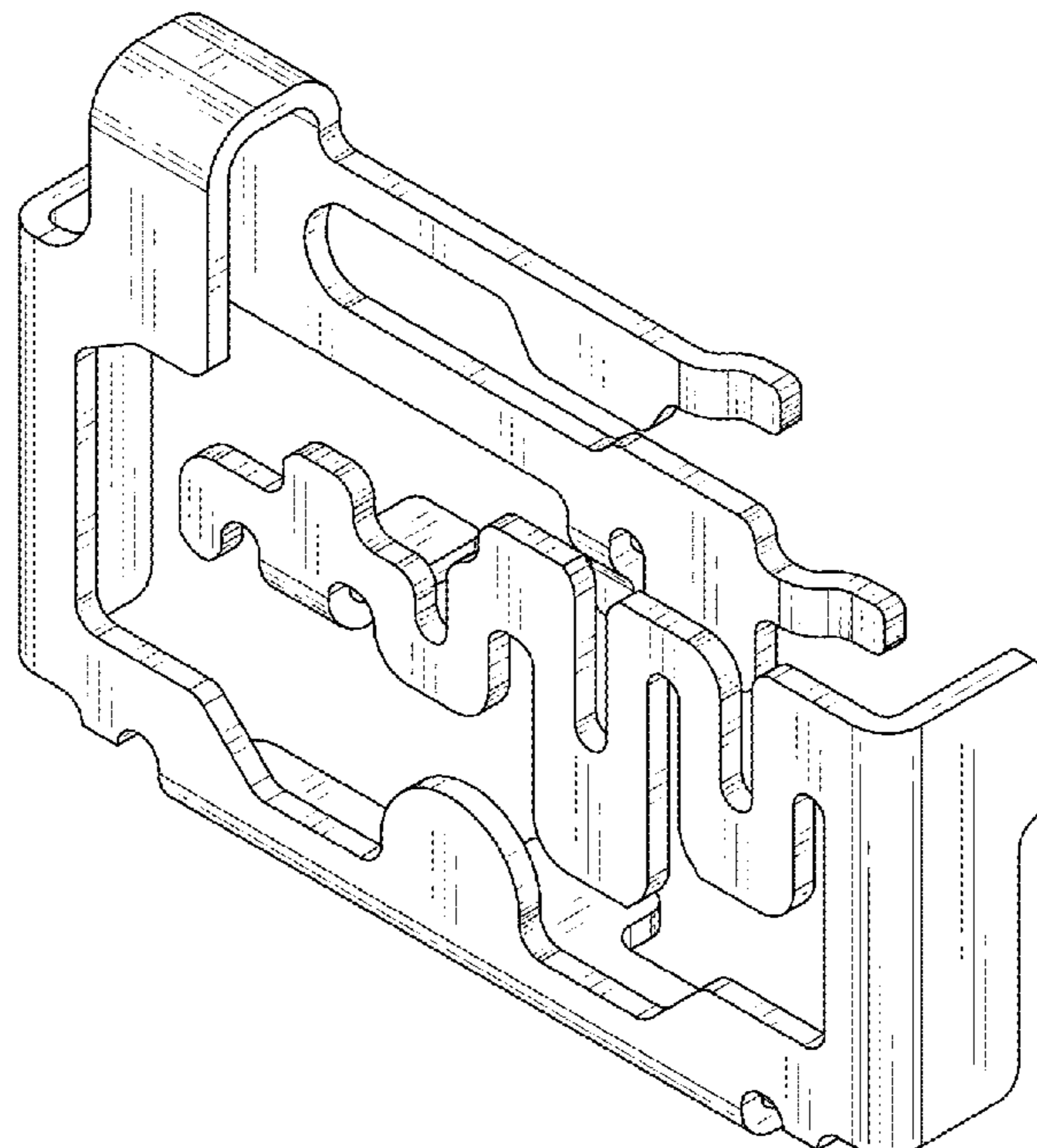
(57) **CLAIM**

The ornamental design for an antenna, as shown and described.

DESCRIPTION

FIG. 1 is a front elevational view of an antenna showing our new design;
FIG. 2 is a rear elevational view thereof;
FIG. 3 is a right side elevational view thereof;
FIG. 4 is a left side elevational view thereof;
FIG. 5 is a top plan view thereof;
FIG. 6 is a bottom plan view thereof;
FIG. 7 is a perspective view showing a front, top and right side thereof;
FIG. 8 is a perspective view showing a rear, bottom and left side thereof;
FIG. 9 is a perspective view showing a front, right and bottom side thereof; and,
FIG. 10 is a perspective view showing a rear, left and top side thereof.

1 Claim, 7 Drawing Sheets



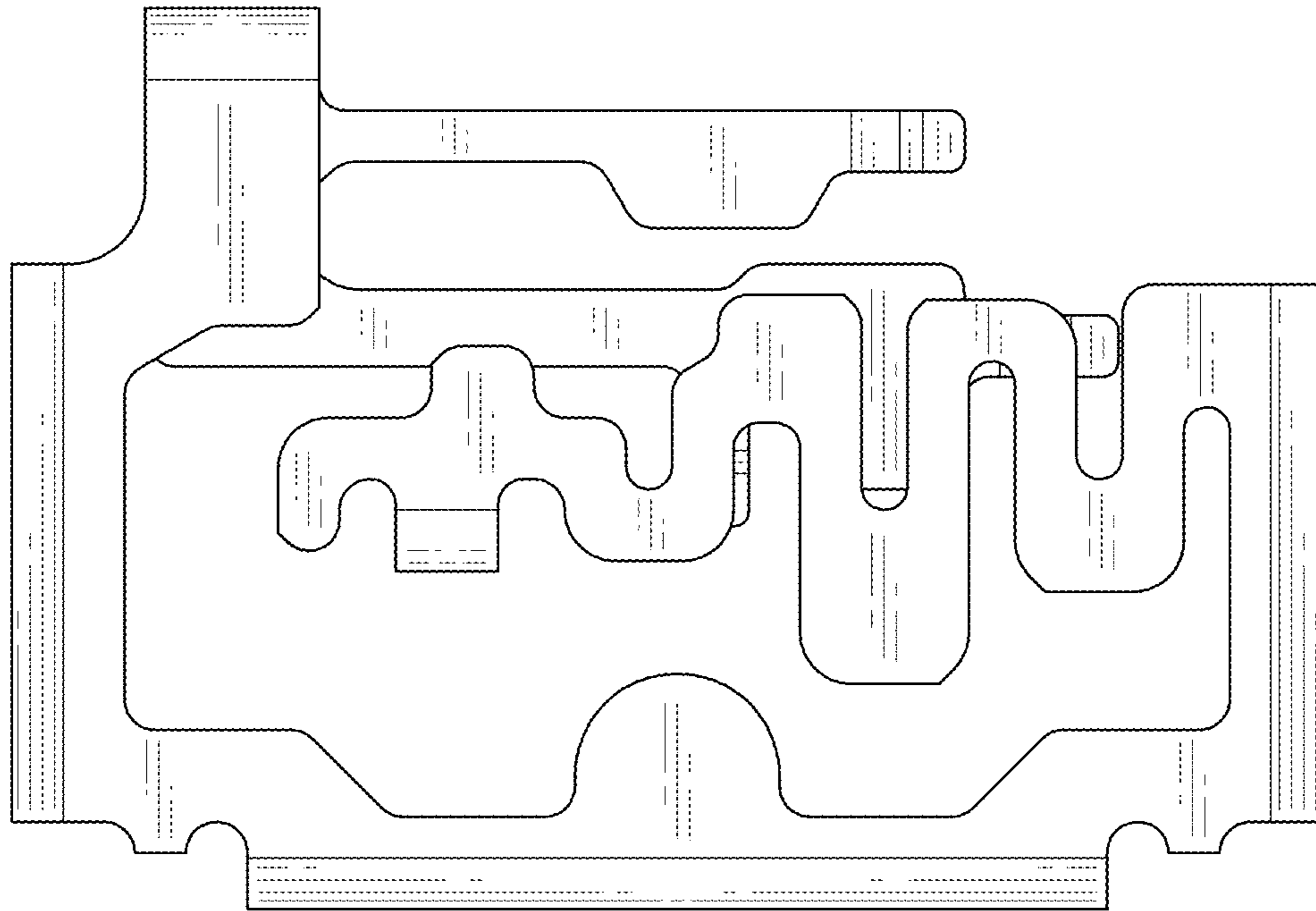


FIG. 1

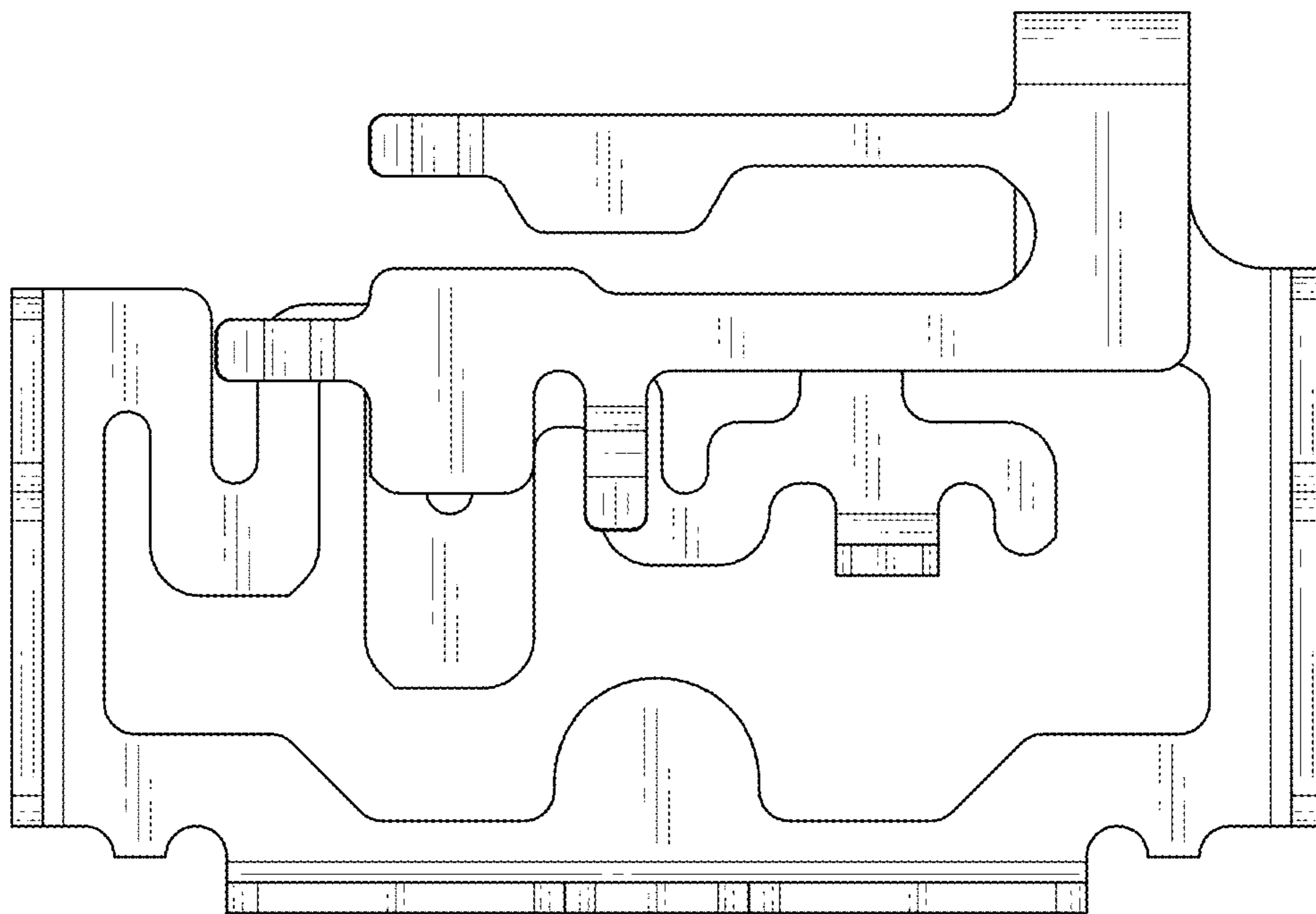


FIG. 2

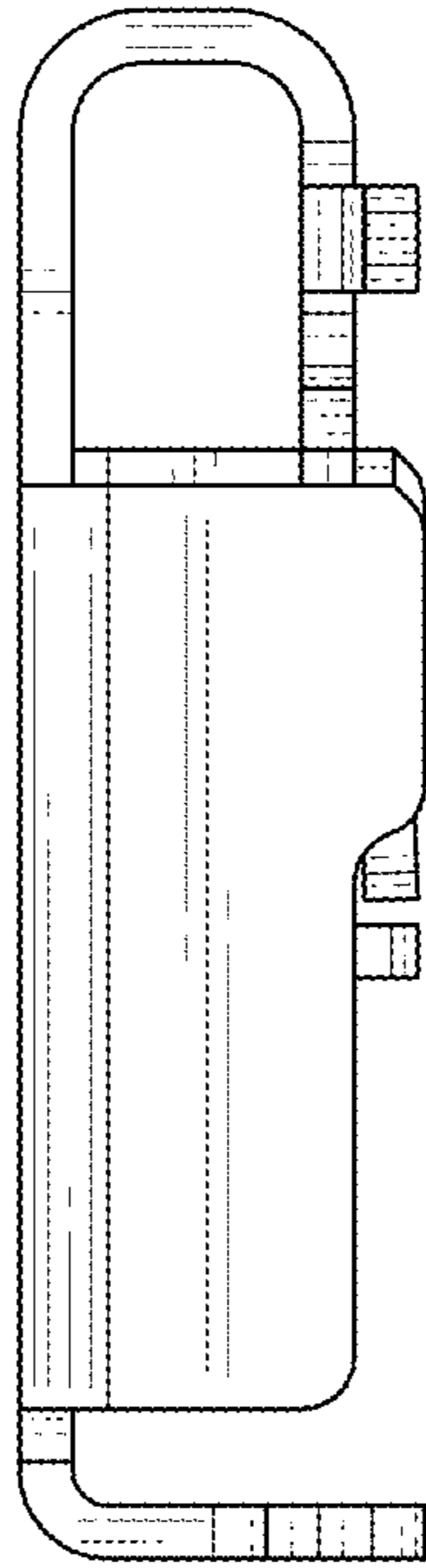


FIG. 3

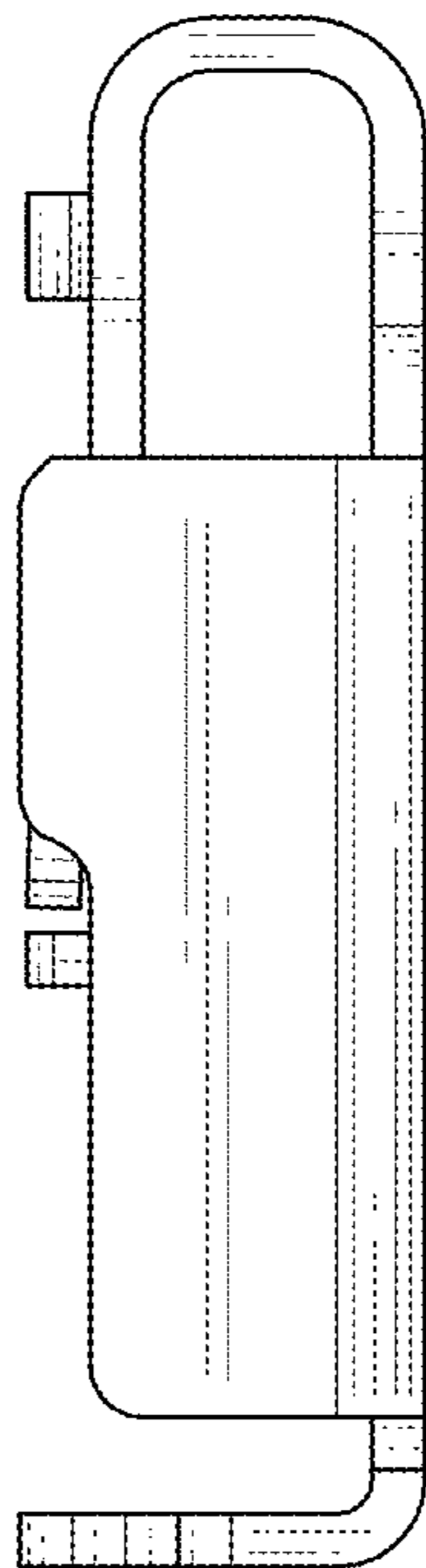


FIG. 4

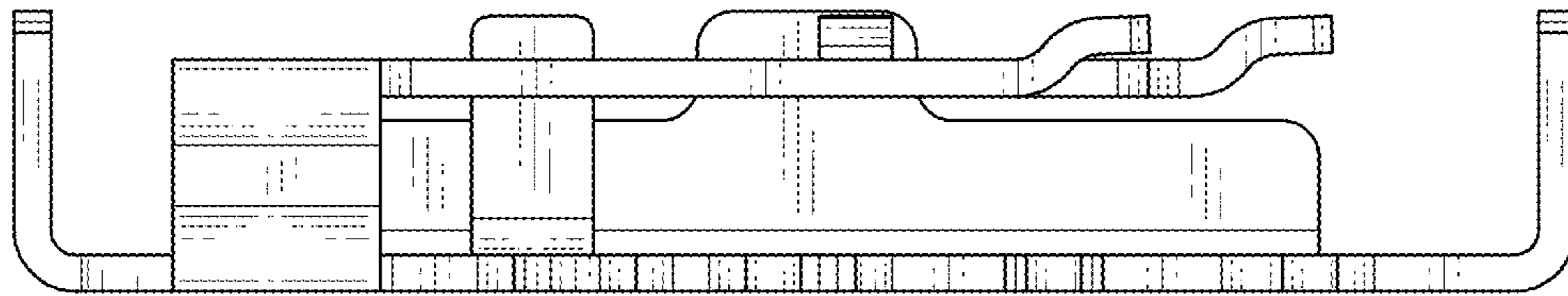


FIG. 5

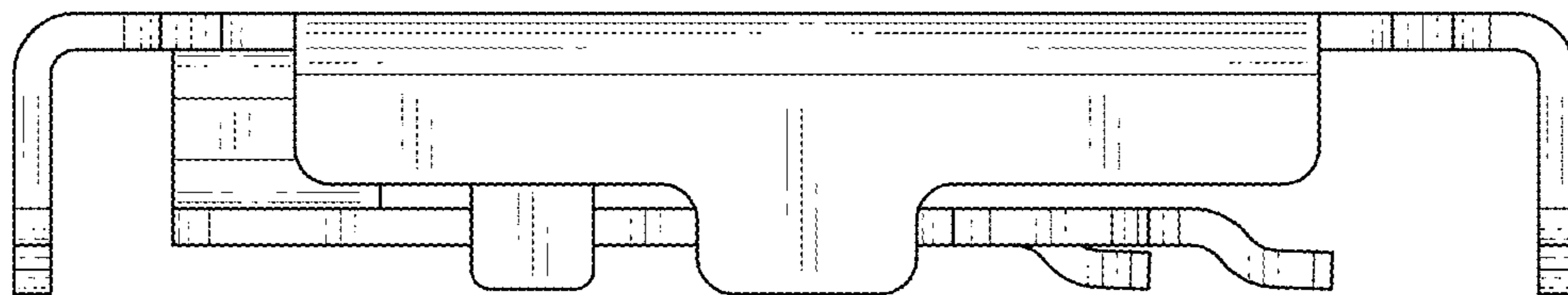


FIG. 6

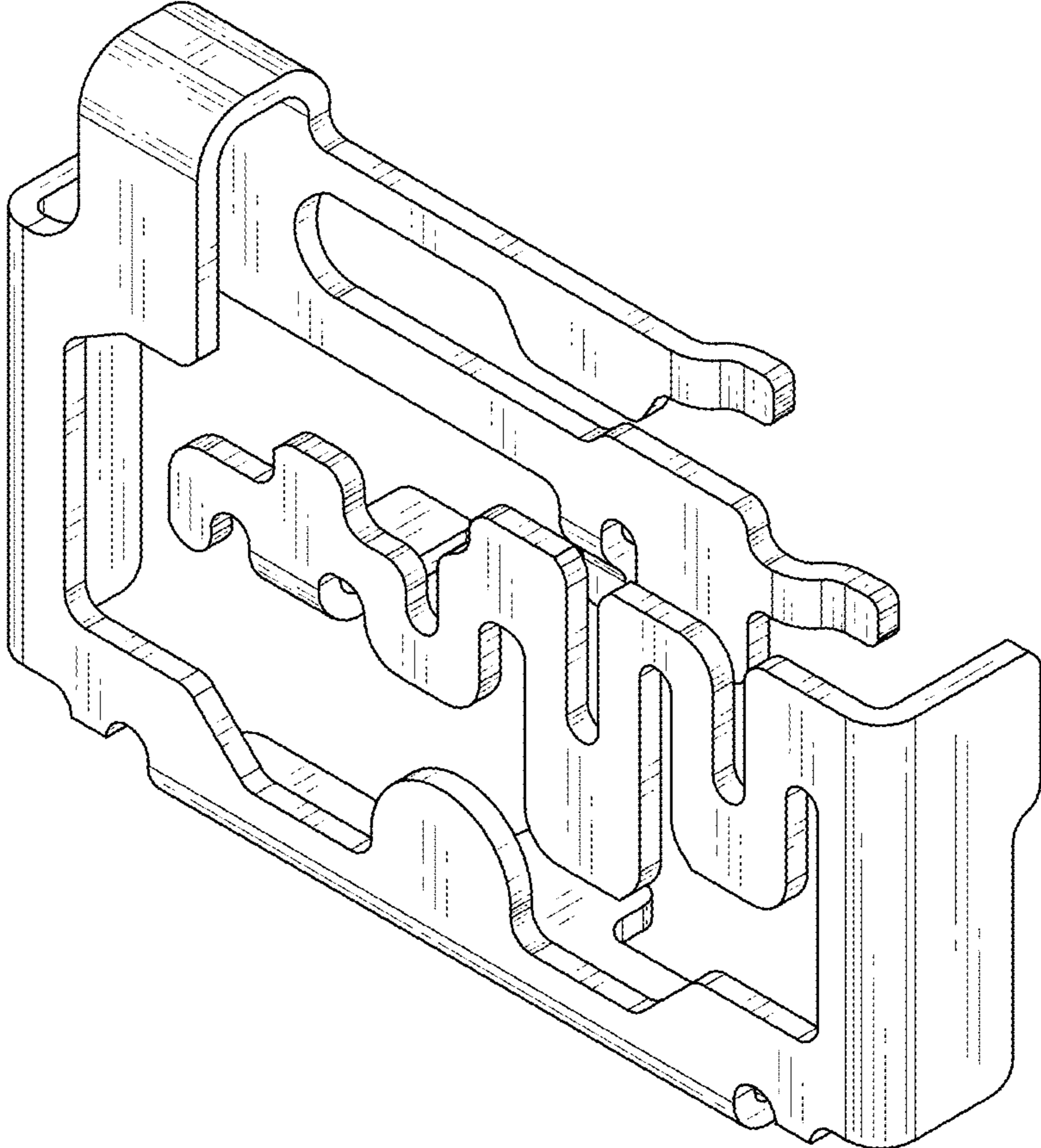


FIG. 7

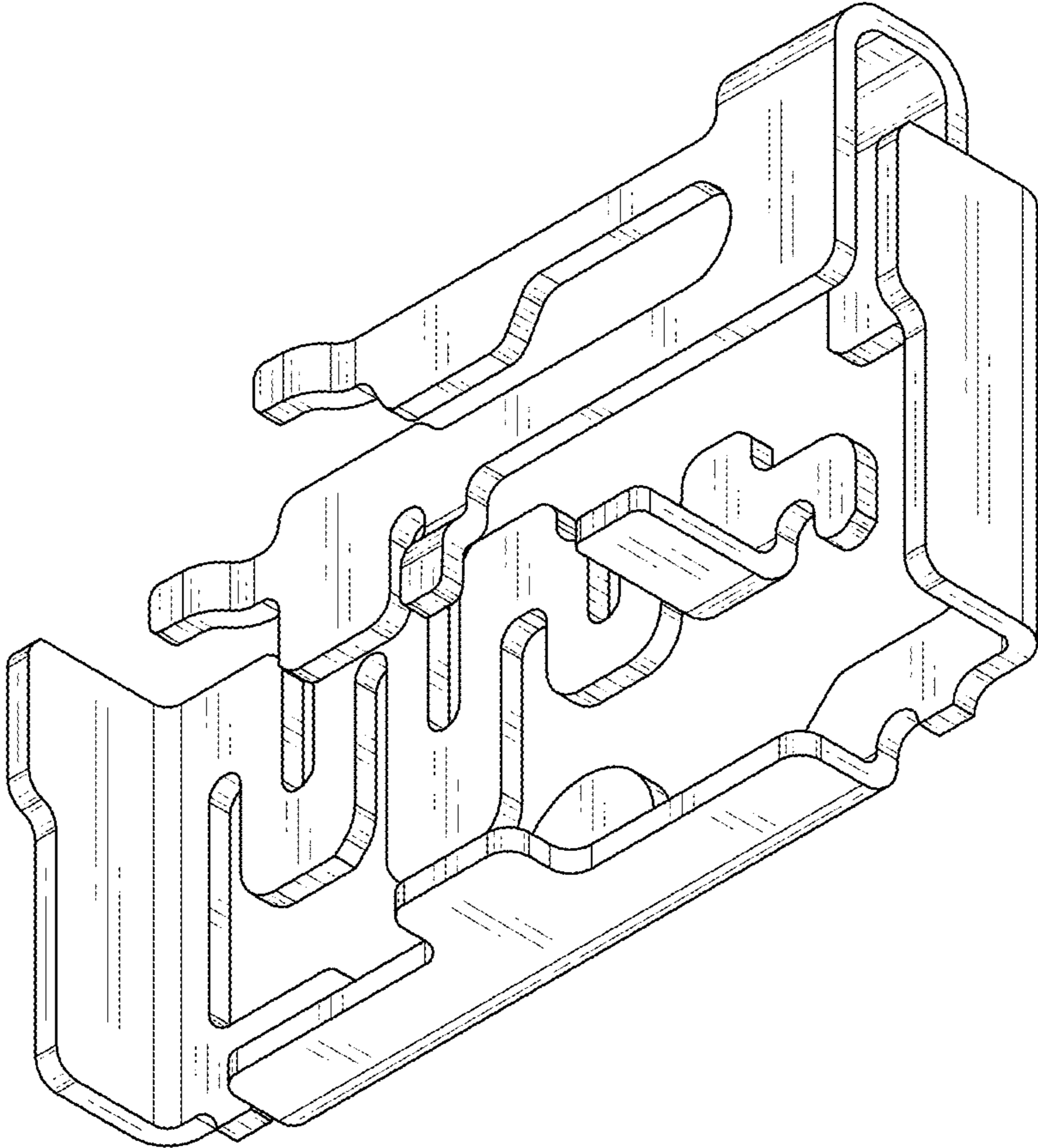


FIG. 8

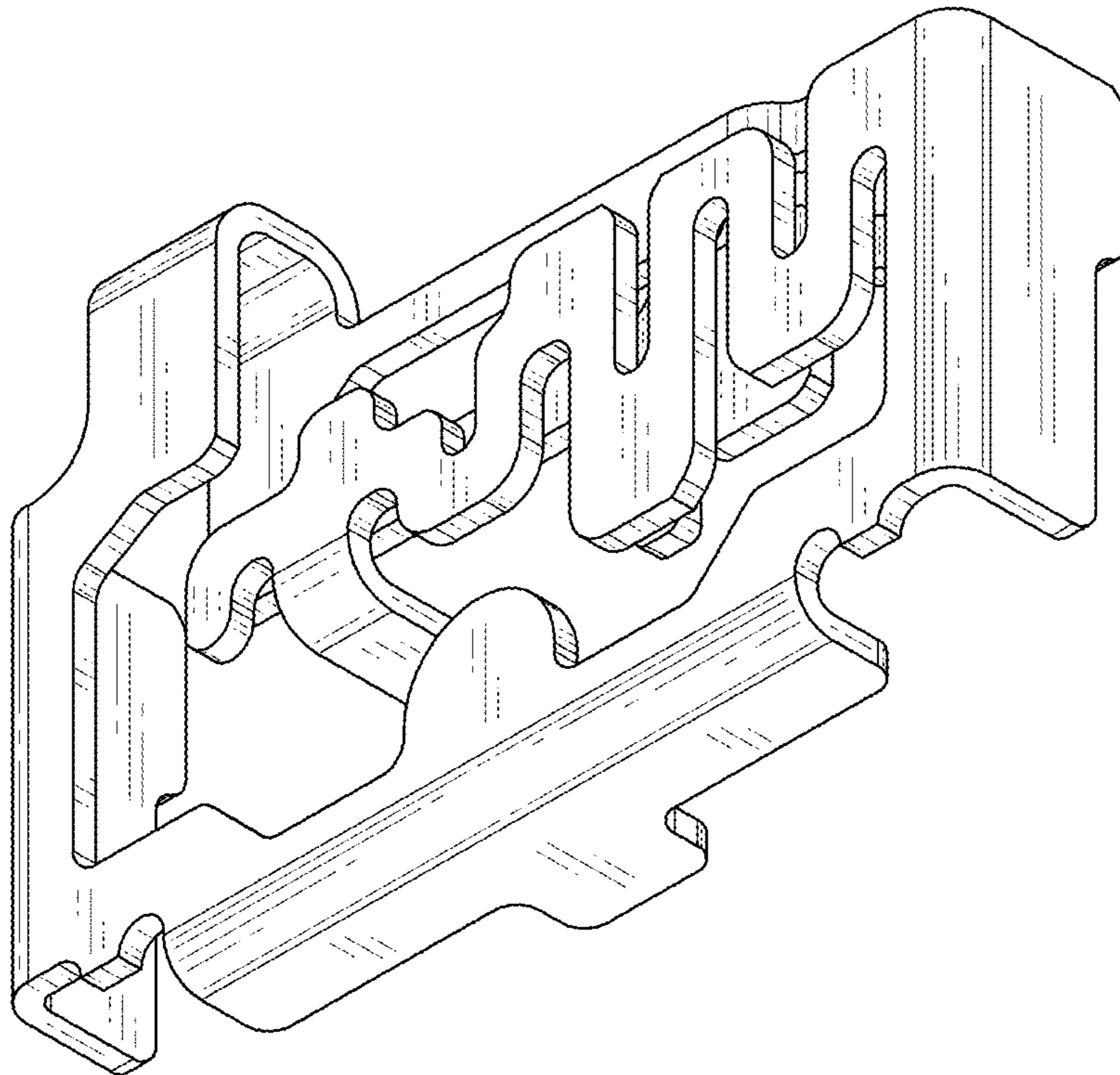


FIG. 9

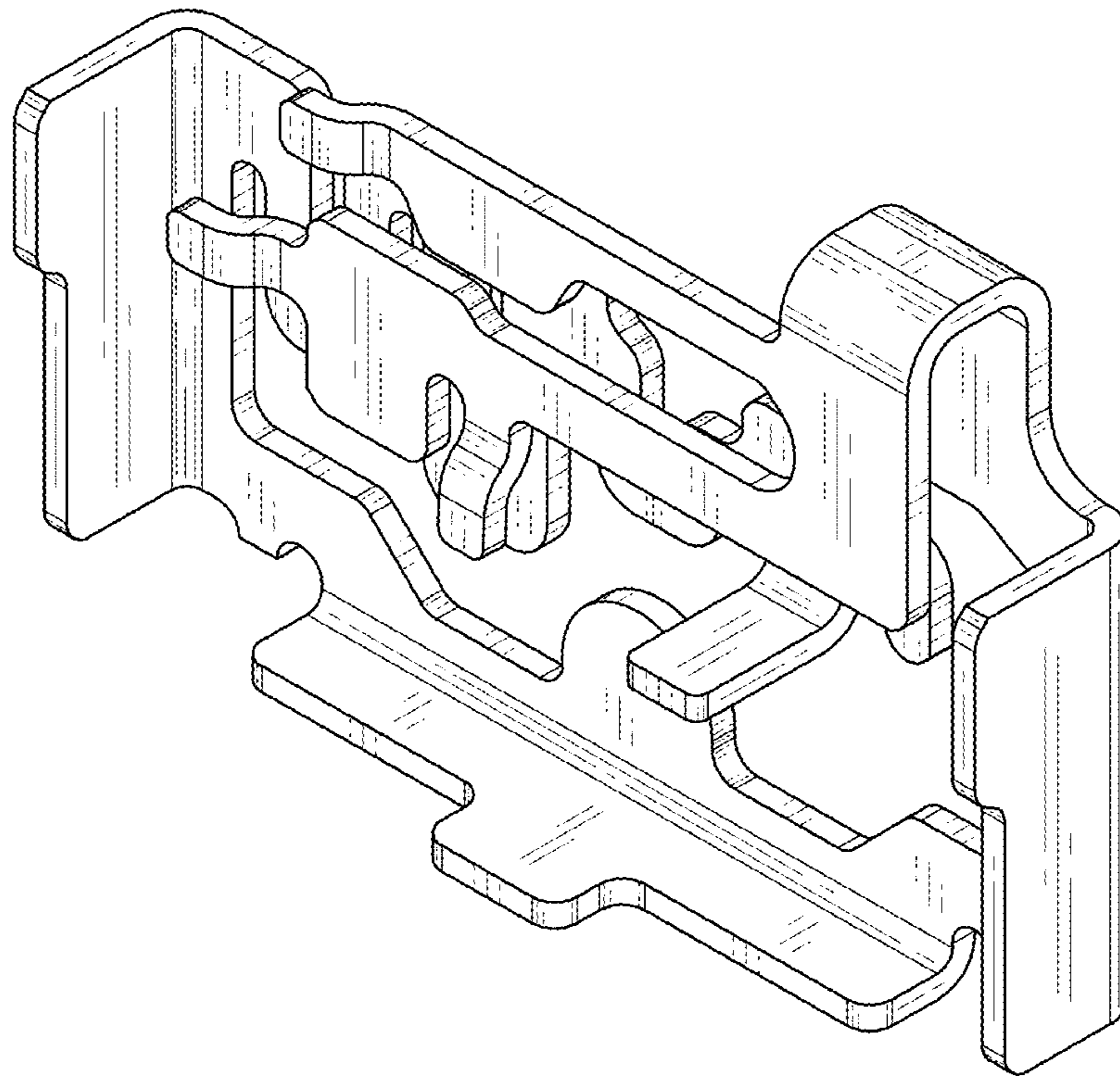


FIG. 10