



US00D976878S

(12) **United States Design Patent**
Kim et al.

(10) **Patent No.:** **US D976,878 S**
(45) **Date of Patent:** **** Jan. 31, 2023**

(54) **ROTARY DEVICE FOR COMMUNICATION ANTENNA**

(71) Applicant: **TESCOM COMPANY LIMITED**,
Goyang-si (KR)

(72) Inventors: **Hee Suk Kim**, Goyang-si (KR); **Ji Ho Lee**, Goyang-si (KR)

(73) Assignee: **Tescom Company Limited**,
Gyeonggi-do (KR)

(**) Term: **15 Years**

(21) Appl. No.: **29/738,566**

(22) Filed: **Jun. 18, 2020**

(30) **Foreign Application Priority Data**

Jan. 13, 2020 (KR) 30-2020-0001516

(51) **LOC (14) Cl.** **14-03**

(52) **U.S. Cl.**
USPC **D14/230**

(58) **Field of Classification Search**
USPC D14/230-239, 354, 299, 358; D8/355,
D8/359; D16/242
CPC H01Q 1/084; H01Q 1/1242; H01Q 1/3258;
H01Q 21/30; B23Q 3/105
See application file for complete search history.

(56) **References Cited**

U.S. PATENT DOCUMENTS

D331,871 S * 12/1992 Burke D8/355
D362,445 S * 9/1995 McClain D14/218

D382,194 S * 8/1997 Hodges D8/355
D533,547 S * 12/2006 Sergi D8/354
D597,112 S * 7/2009 Takeuchi D15/143
D620,930 S * 8/2010 Lee D14/239
D674,423 S * 1/2013 Mangold D15/143
D796,491 S * 9/2017 Nealis D14/230
D824,974 S * 8/2018 Tabuchi D15/148
2007/0146229 A1* 6/2007 Lin H01Q 1/125
343/882

FOREIGN PATENT DOCUMENTS

JP D1673871 * 11/2020

* cited by examiner

Primary Examiner — Daniel J Domino

Assistant Examiner — Samina Vieth

(74) *Attorney, Agent, or Firm* — Quarles & Brady LLP

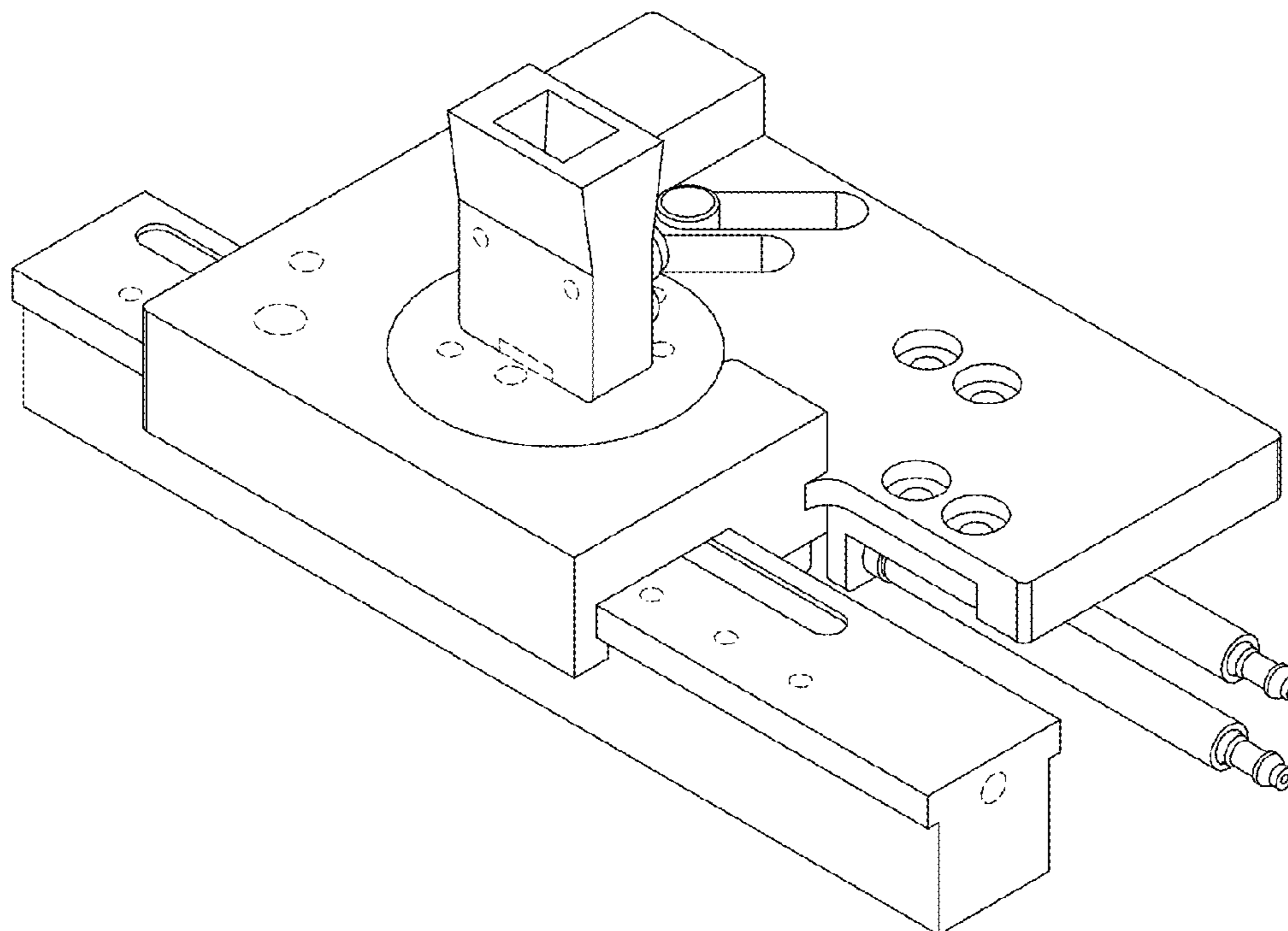
(57) **CLAIM**

The ornamental design for a rotary device for communication antenna, as shown.

DESCRIPTION

FIG. 1 is a top, front, and right side perspective view of a rotary device for communication antenna;
FIG. 2 is a front view thereof;
FIG. 3 is a rear view thereof;
FIG. 4 is a left side view thereof;
FIG. 5 is a right side view thereof;
FIG. 6 is a top view thereof; and,
FIG. 7 is a bottom view thereof.
The broken lines in the drawings are for the purpose of illustrating portions of the rotary device for communication antenna that form no part of the claimed design.

1 Claim, 4 Drawing Sheets



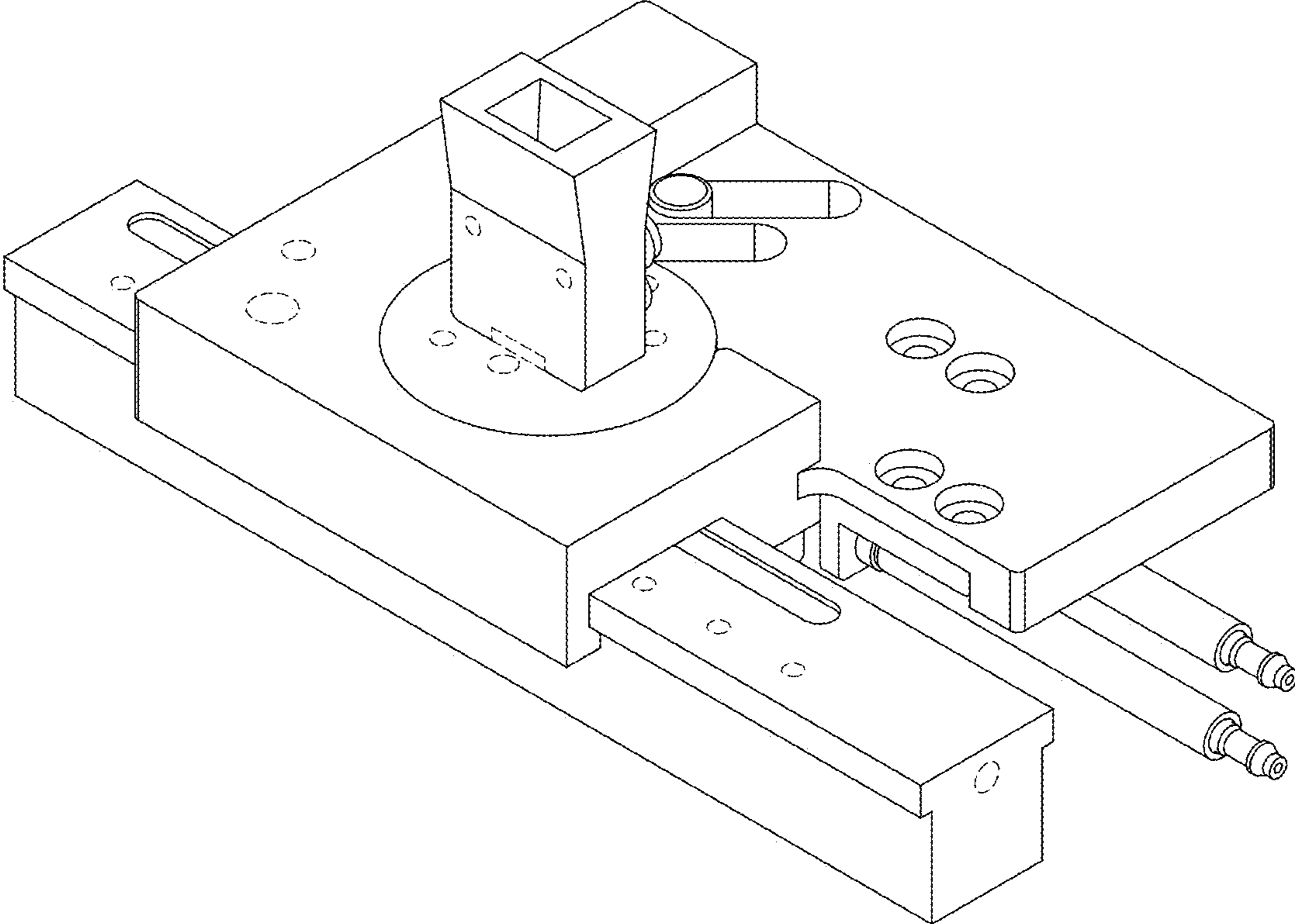


FIG.1

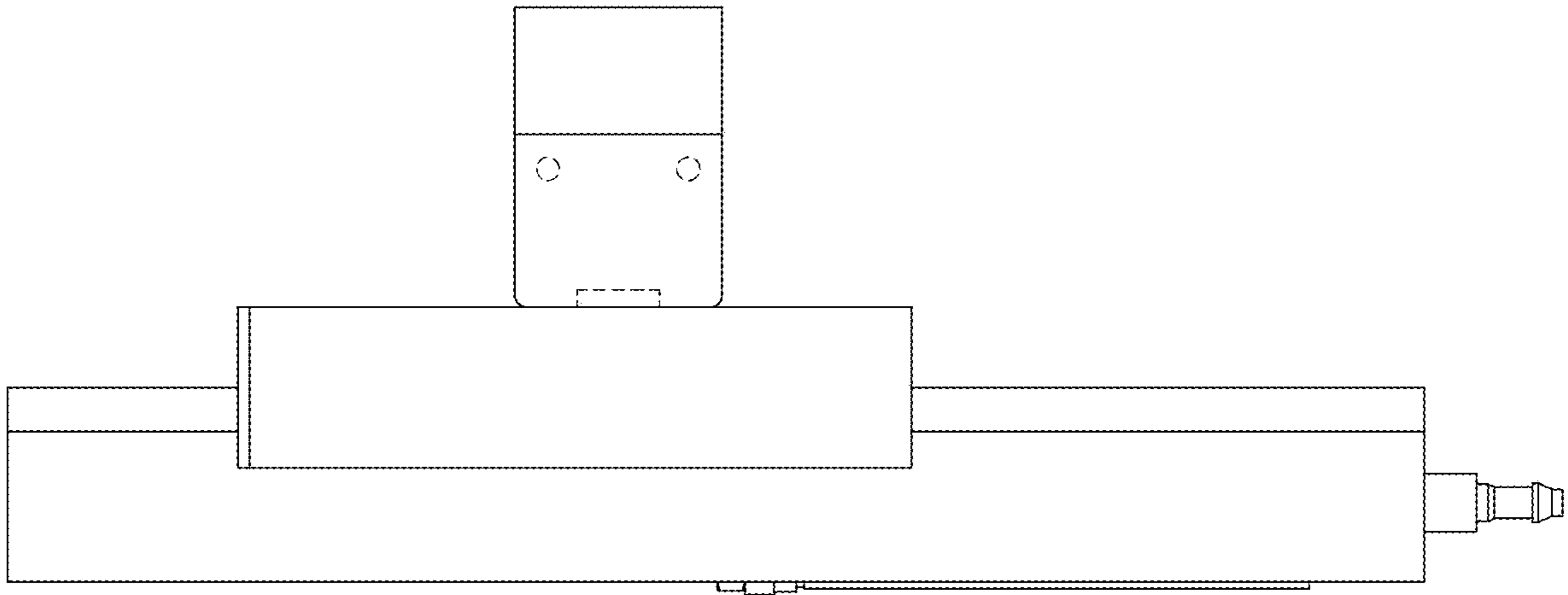


FIG.2

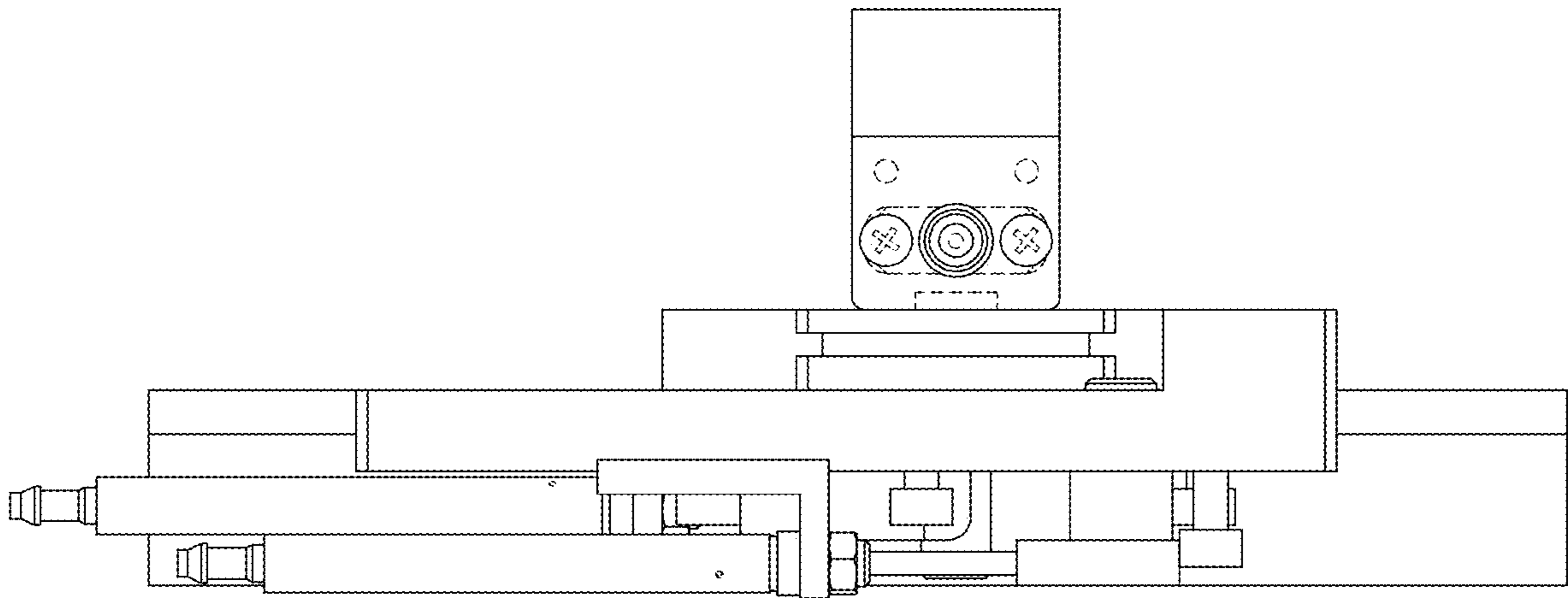


FIG.3

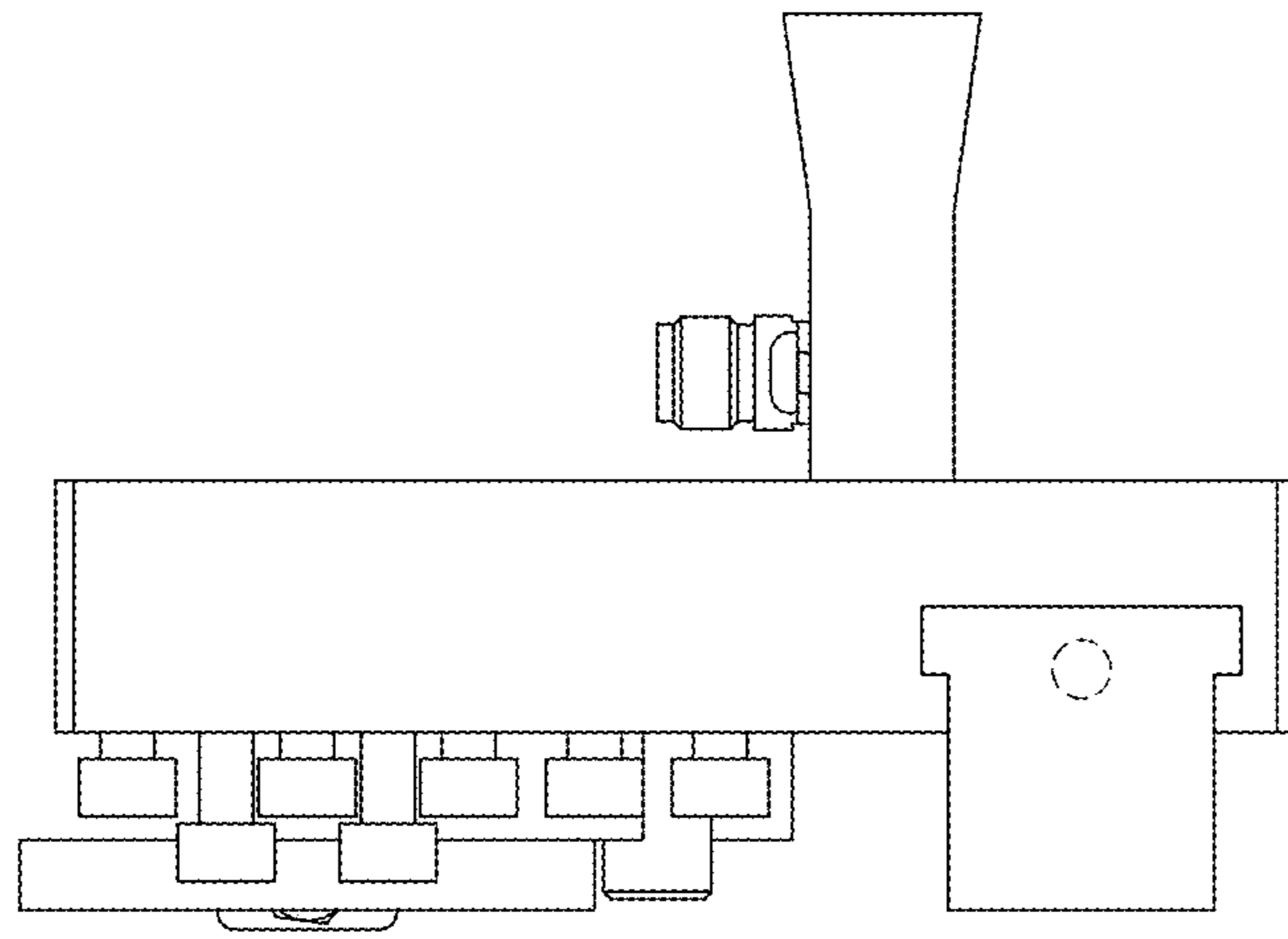


FIG.4

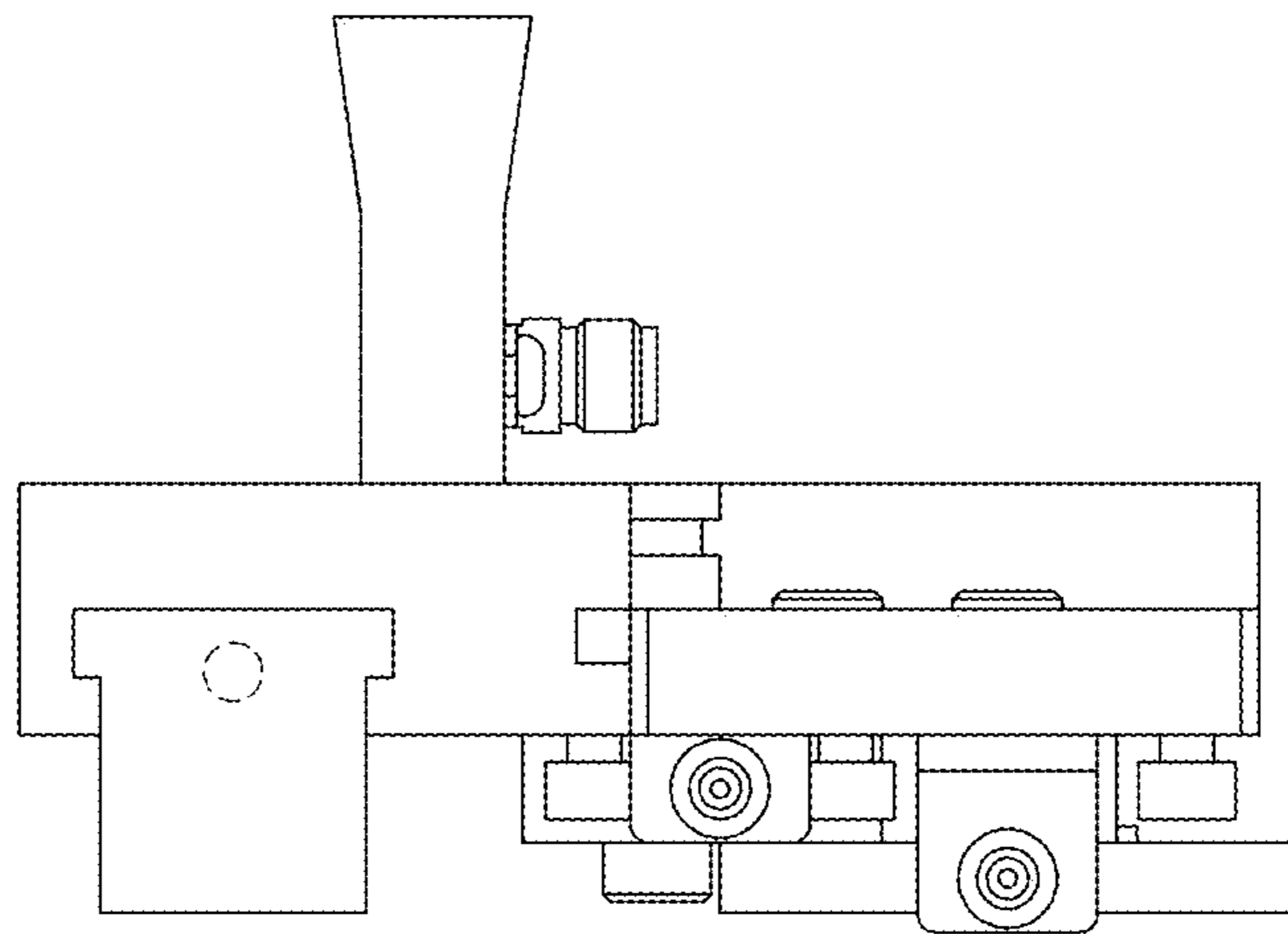


FIG.5

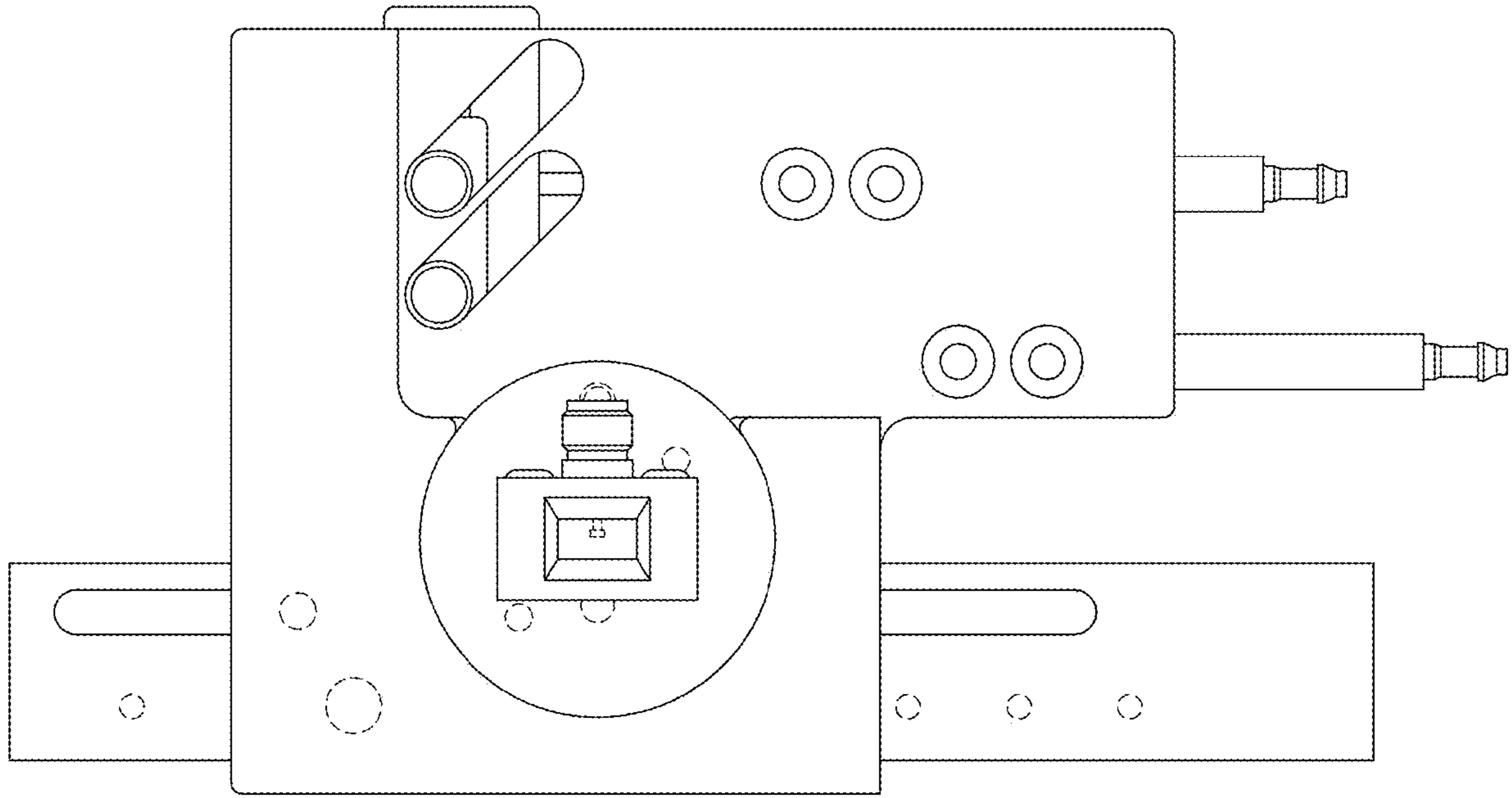


FIG. 6

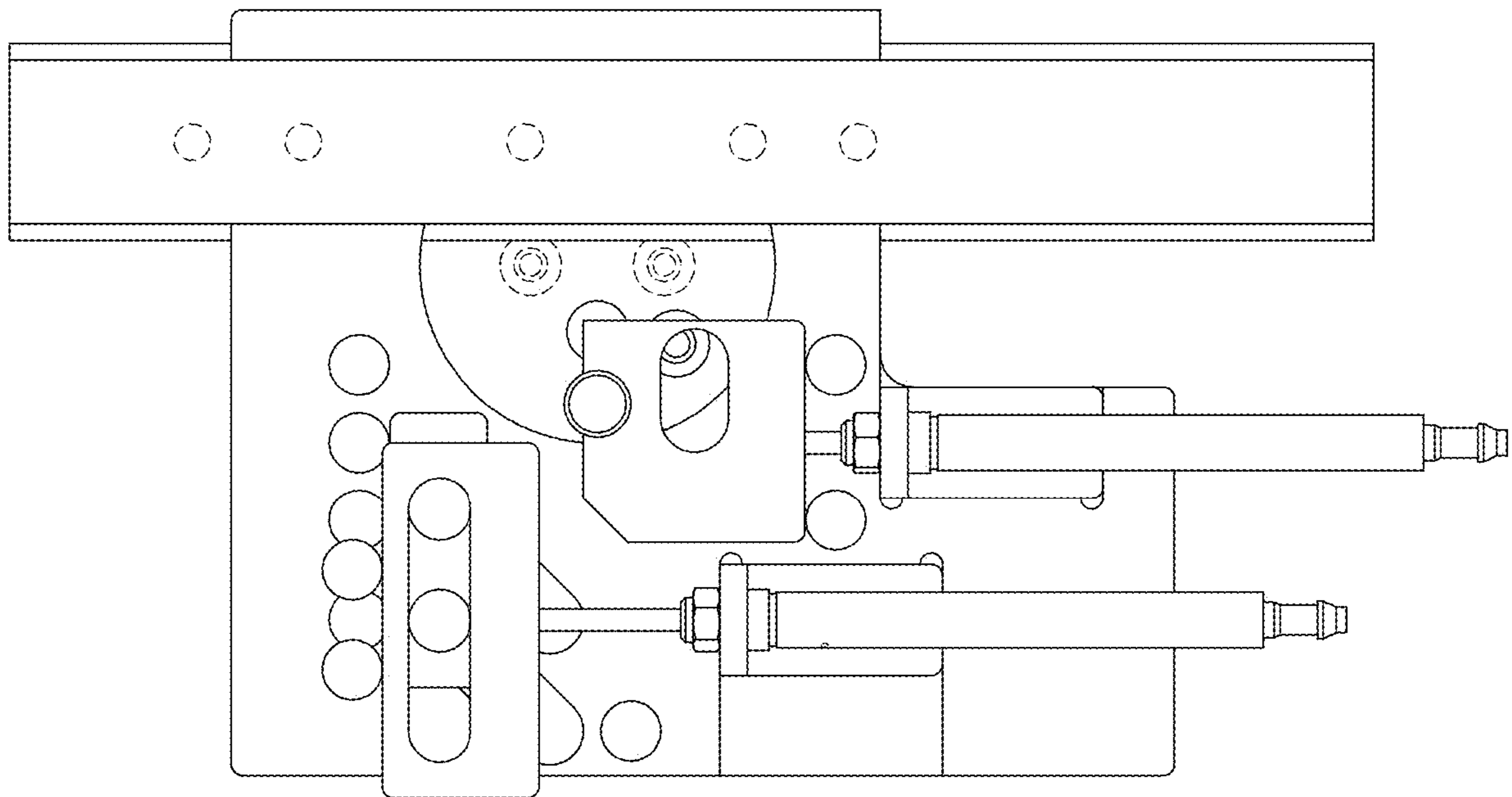


FIG. 7