



US00D976876S

(12) **United States Design Patent**
Oegerli

(10) **Patent No.:** **US D976,876 S**
(45) **Date of Patent:** **** Jan. 31, 2023**

(54) **MICROPHONE**

(71) Applicant: **Sennheiser electronic GmbH & Co. KG, Wedemark (DE)**

(72) Inventor: **Noël Oegerli, Münchenstein (CH)**

(73) Assignee: **Sennheiser electronic GmbH & Co. KG, Wedemark (DE)**

(**) Term: **15 Years**

(21) Appl. No.: **29/705,343**

(22) Filed: **Sep. 11, 2019**

(30) **Foreign Application Priority Data**

Mar. 11, 2019	(EM)	006303087-0001
Mar. 11, 2019	(EM)	006303087-0002
Mar. 11, 2019	(EM)	006303087-0003
Mar. 11, 2019	(EM)	006303087-0004
Mar. 11, 2019	(EM)	006303087-0005
Mar. 11, 2019	(EM)	006303087-0006
Mar. 11, 2019	(EM)	006303087-0007
Mar. 11, 2019	(EM)	006303087-0008
Mar. 11, 2019	(EM)	006303087-0009

(51) **LOC (14) Cl.** **14-01**

(52) **U.S. Cl.**
USPC **D14/225**

(58) **Field of Classification Search**
USPC D14/221, 224, 225, 226, 227, 228, 229, D14/150, 154, 155, 158, 160, 172
CPC H04R 19/04; H04R 19/00; H04R 1/406; H04R 1/08; H04R 1/04; H04R 1/326; H04R 29/004; H04R 2410/00; H04R 2410/01; H04R 2410/03; H04R 2410/05; H04R 2410/07; H04R 2420/07; H04R 17/02

See application file for complete search history.

(56) **References Cited**

U.S. PATENT DOCUMENTS

D247,706 S * 4/1978 Armstrong D14/228
D446,205 S * 8/2001 Ming-Cheng D14/228

D449,041 S * 10/2001 Koike D14/228
D449,042 S * 10/2001 Chung D14/228
D462,343 S * 9/2002 Wang D14/225

(Continued)

OTHER PUBLICATIONS

MD 435, announced © 2020 [online], retrieved Jan. 14, 2021, retrieved from internet, <https://en-us.sennheiser.com/md-435>.*

(Continued)

Primary Examiner — Messina L Smith

(74) *Attorney, Agent, or Firm* — Haug Partners LLP

(57) **CLAIM**

The ornamental design for a microphone, as shown and described.

DESCRIPTION

FIG. 1 is a first side view of the microphone showing the new design in a first embodiment.

FIG. 2 is a top view thereof.

FIG. 3 is a bottom view thereof.

FIG. 4 is a bottom perspective view thereof.

FIG. 5 is a second side view thereof.

FIG. 6 is a third side view thereof.

FIG. 7 is a fourth side view thereof.

FIG. 8 is a side view of the microphone shown in a second embodiment.

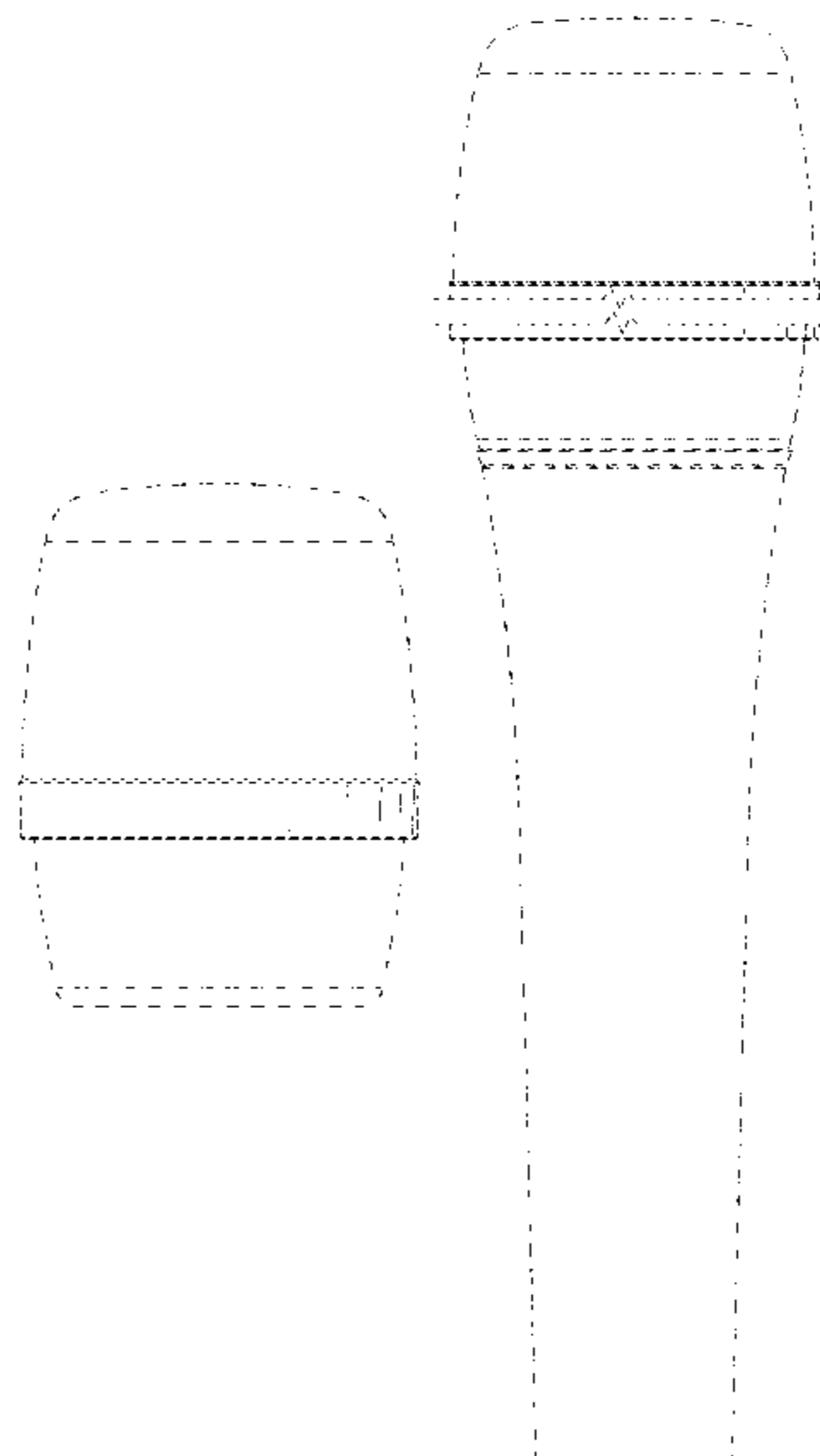
FIG. 9 is a top view thereof; and,

FIG. 10 is a bottom view thereof.

The broken lines in the drawings depict portions of the microphone that form no part of the claimed design.

The microphone head is shown with a symbolic break in its height. The appearance of any portion of the article between the break lines forms no part of the claimed design.

1 Claim, 10 Drawing Sheets



(56)

References Cited

U.S. PATENT DOCUMENTS

6,463,159 B1 * 10/2002 Ming-Cheng H04R 1/08
 381/355
 D475,699 S * 6/2003 Thornton D14/228
 D479,836 S * 9/2003 Thornton D14/228
 D713,390 S * 9/2014 Ibuki D14/228
 D713,391 S * 9/2014 Ibuki D14/228
 D788,081 S * 5/2017 Austin-Smith D14/226
 10,334,340 B2 * 6/2019 Su H04R 1/04
 D883,961 S * 5/2020 Dai D14/226
 D892,090 S * 8/2020 Xiang D14/228
 D898,002 S * 10/2020 Chen D14/228
 2003/0091208 A1 * 5/2003 Chang H04R 1/08
 381/355
 2006/0126880 A1 * 6/2006 Chang H04R 1/083
 381/361
 2009/0038114 A1 * 2/2009 Chen H04R 1/083
 16/110.1
 2012/0163646 A1 * 6/2012 Chen H04R 1/08
 381/355
 2015/0245134 A1 * 8/2015 Liu H04R 1/44
 381/334

2018/0324512 A1 * 11/2018 Ono H04R 1/086
 2019/0069060 A1 * 2/2019 Su H04M 1/6033
 2019/0306602 A1 * 10/2019 Green, III H01Q 1/273

OTHER PUBLICATIONS

Sennheiser Pro Audio Vocal Dynamic Microphone, announced Dec. 10, 2020 [online], retrieved Jan. 14, 2021, retrieved from internet, https://www.amazon.com/Sennheiser-Pro-Audio-Microphone-435/dp/B08QBGHLZP/ref=sr_1_1_sspa?dchild=1&keywords=sennheiser%2Bmd%2B435&qid=1610636157&sr=8-1-spons&smid=A2OH8CUXAUQ6XZ&spL.*
 The Best Live Vocal Mics, announced Apr. 1, 2020 [online], retrieved Jan. 14, 2021, retrieved from internet, https://www.gearank.com/guides/live-vocal-mic.*
 Top 6 Best Cheap Microphone for Streaming, announced Mar. 18, 2020 [online], retrieved Jan. 14, 2021, retrieved from internet, https://www.chinabrands.com/dropshipping/article-top-6-best-cheap-microphone-for-streaming-16819.html.*
 Real World Gear: Condenser & Dynamic Microphones For Live Vocals, announced Jul. 25, 2019 [online], retrieved Jan. 14, 2021, retrieved from internet, [https://www.prosoundweb.com/real-world-gear-condenser-dynamic-microphones-for-live-vocals/.*](https://www.prosoundweb.com/real-world-gear-condenser-dynamic-microphones-for-live-vocals/.)

* cited by examiner

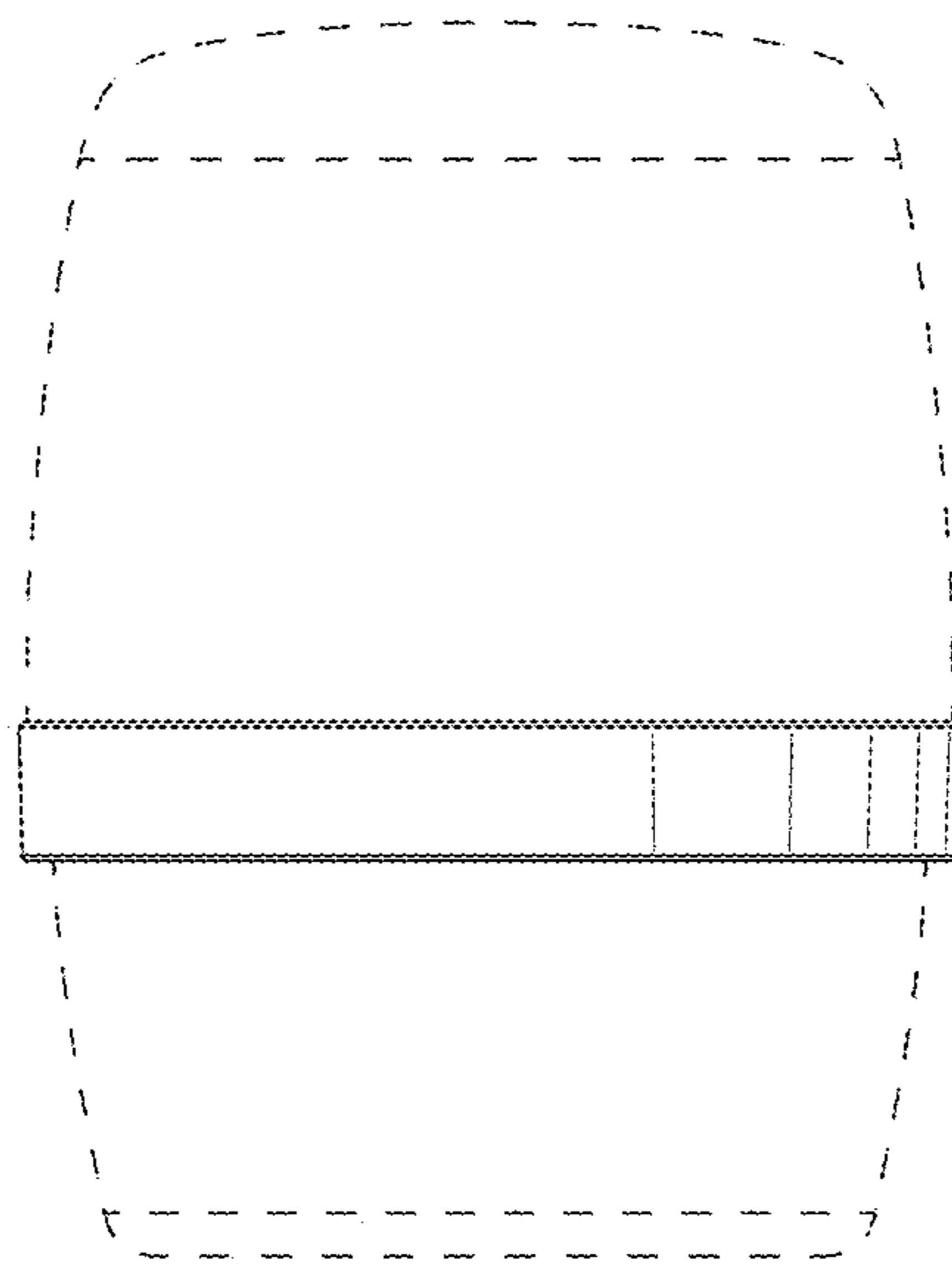


Fig. 1

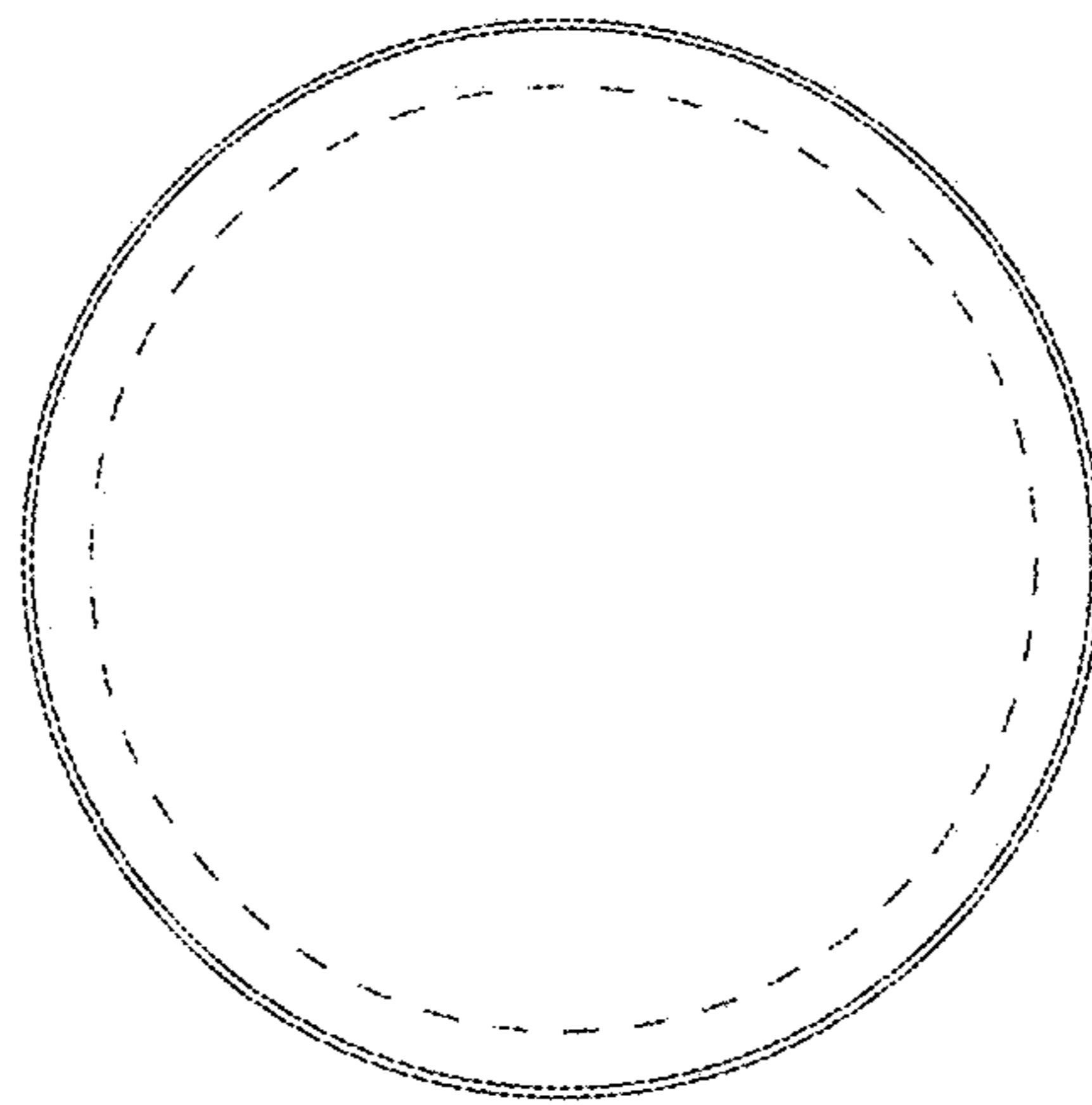


Fig. 2

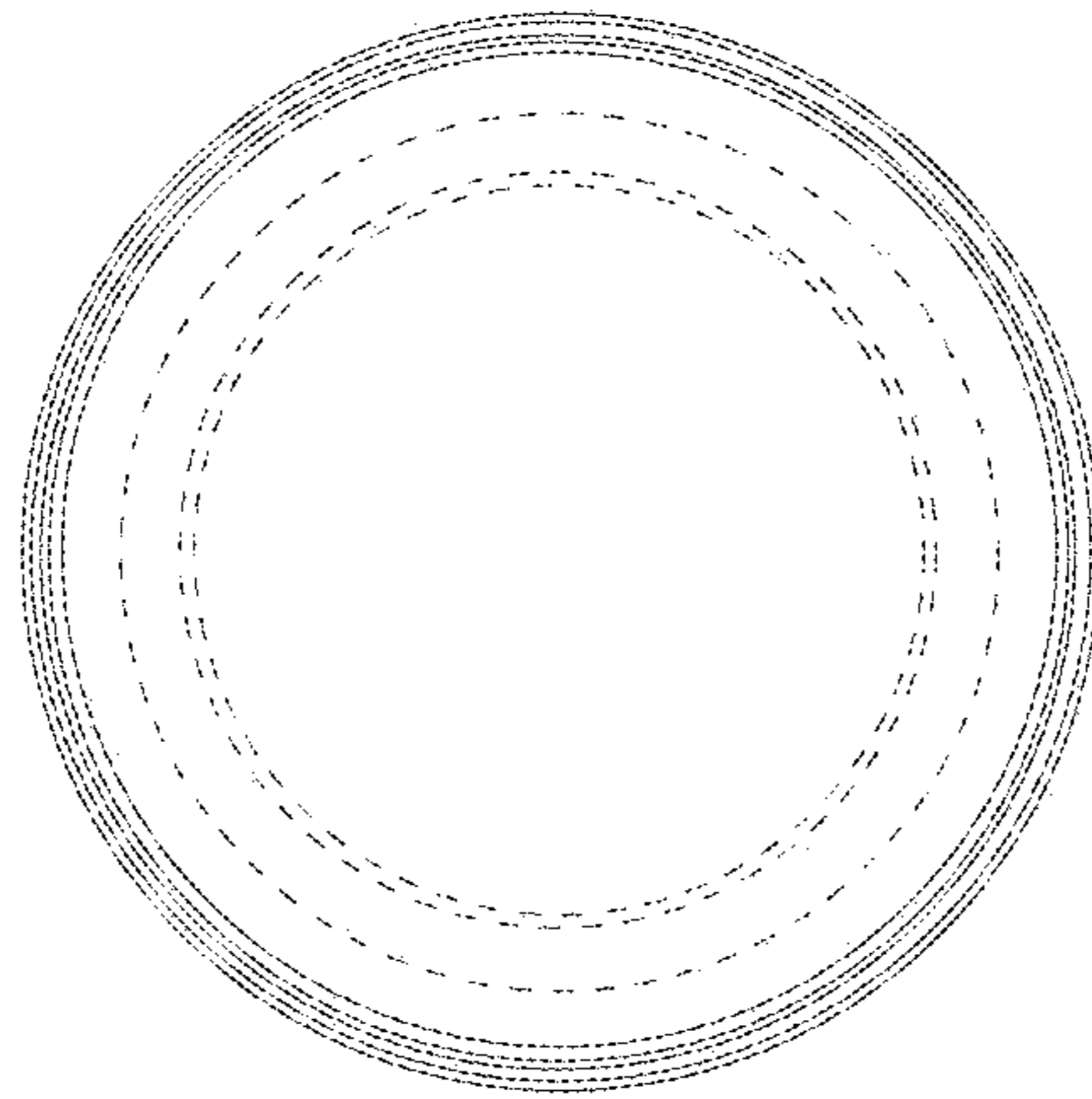


Fig. 3

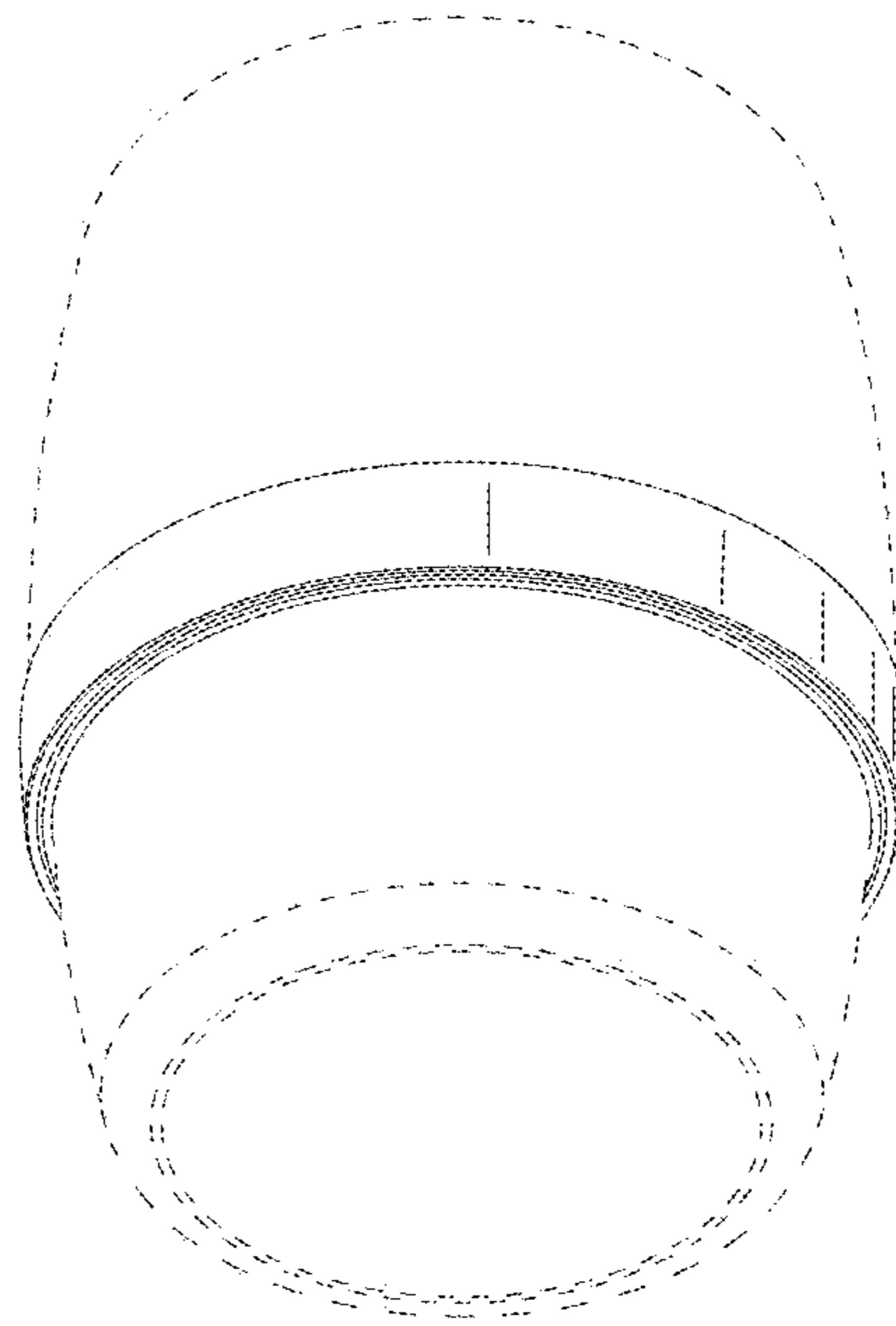


Fig. 4

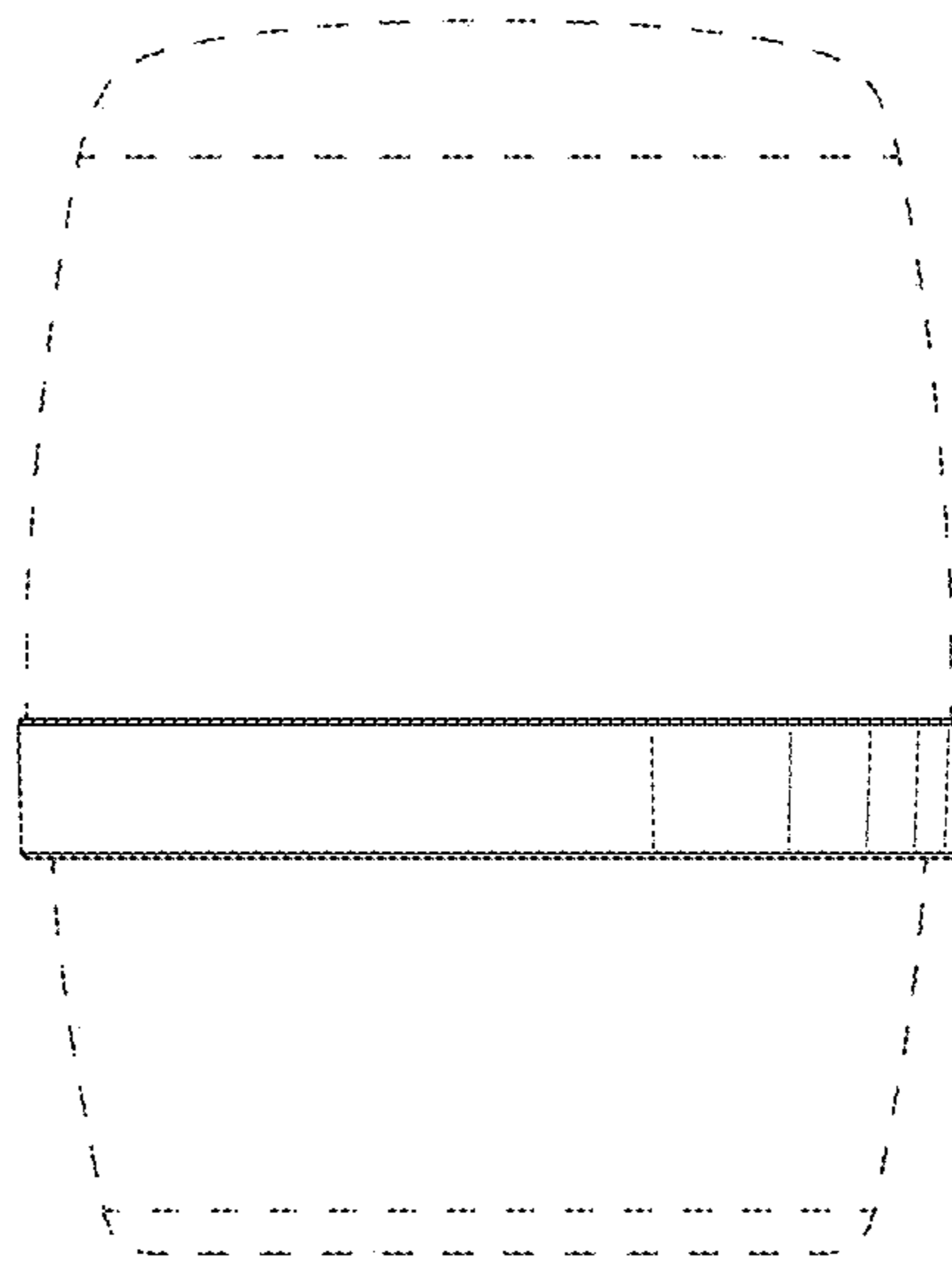


Fig. 5

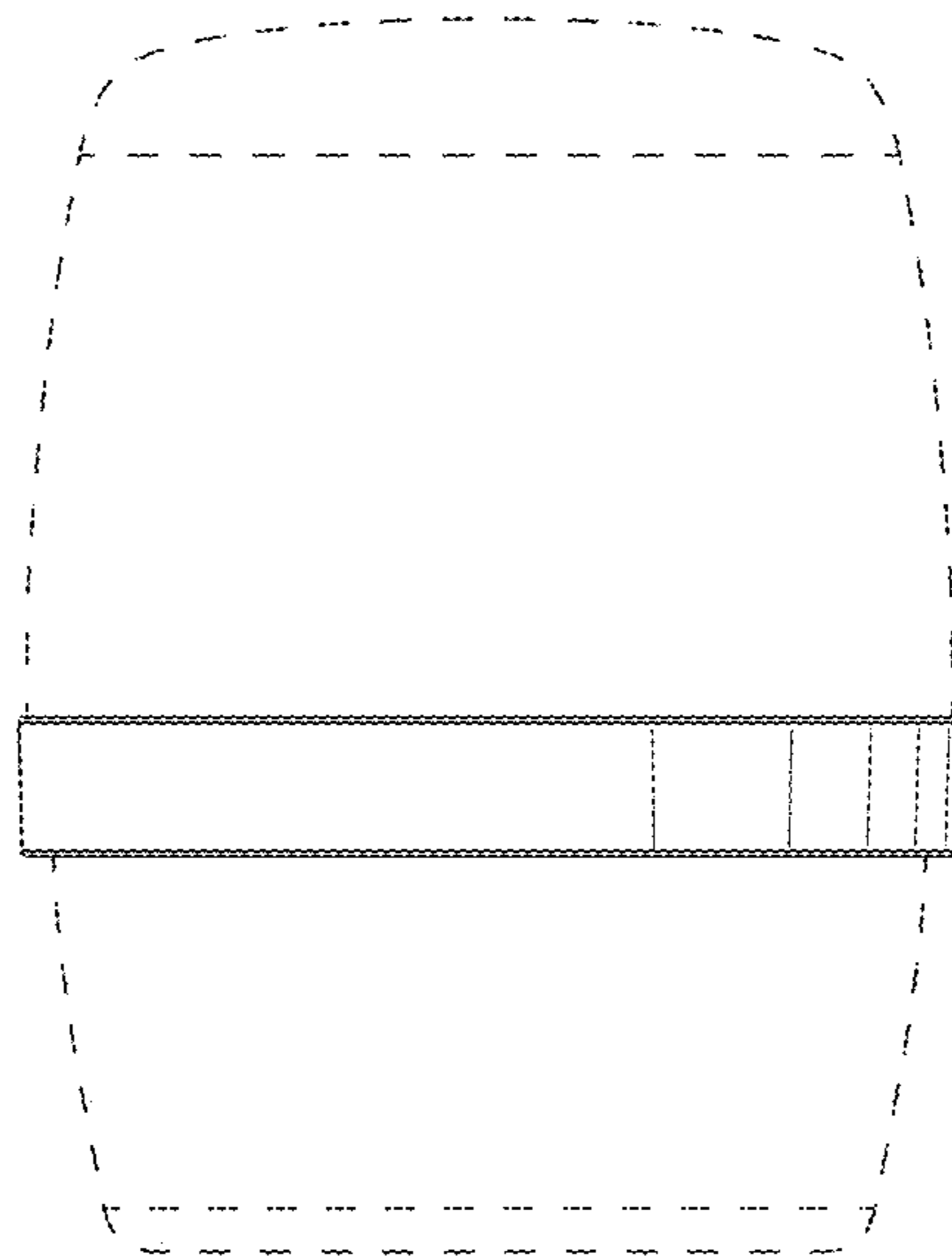


Fig. 6

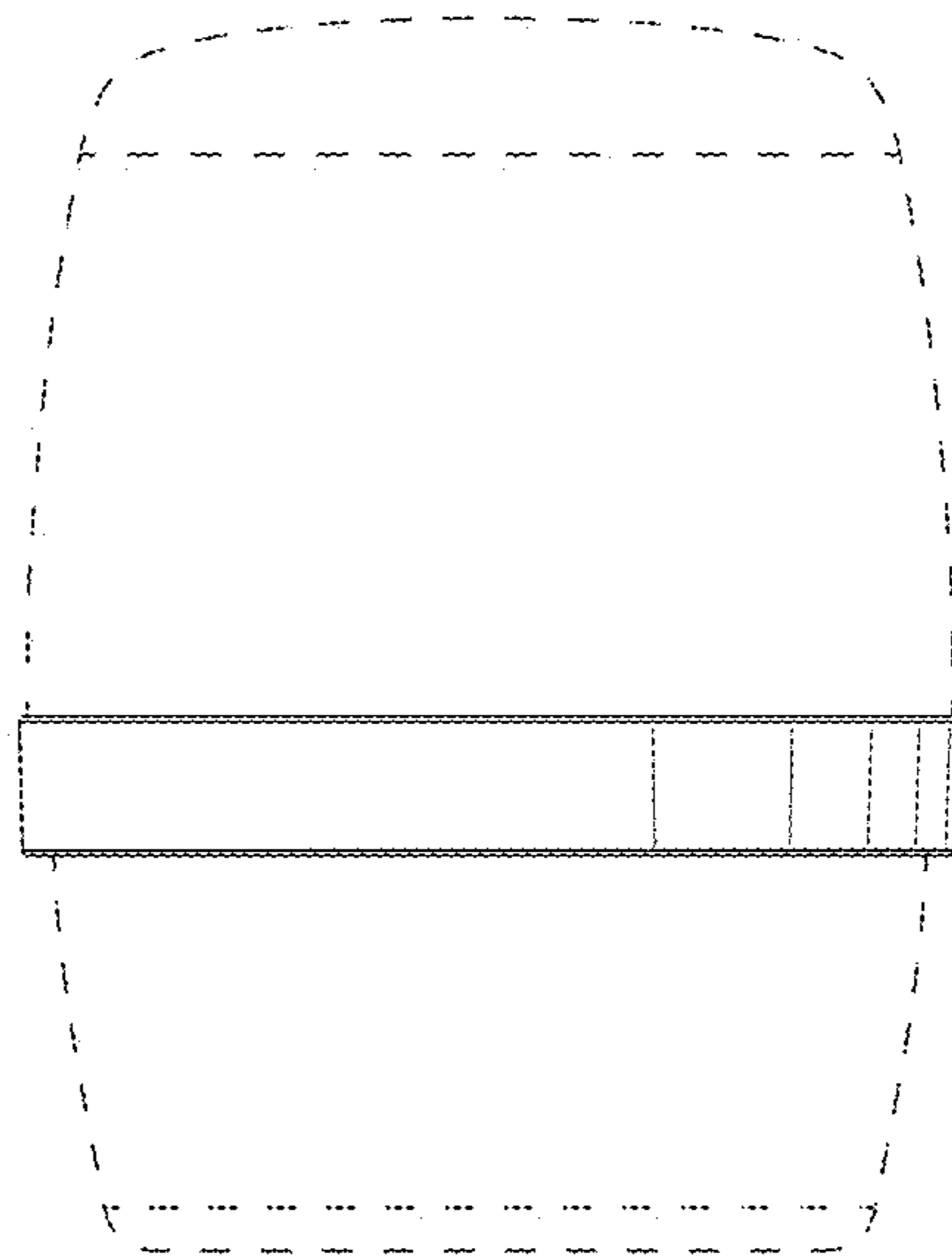


Fig. 7

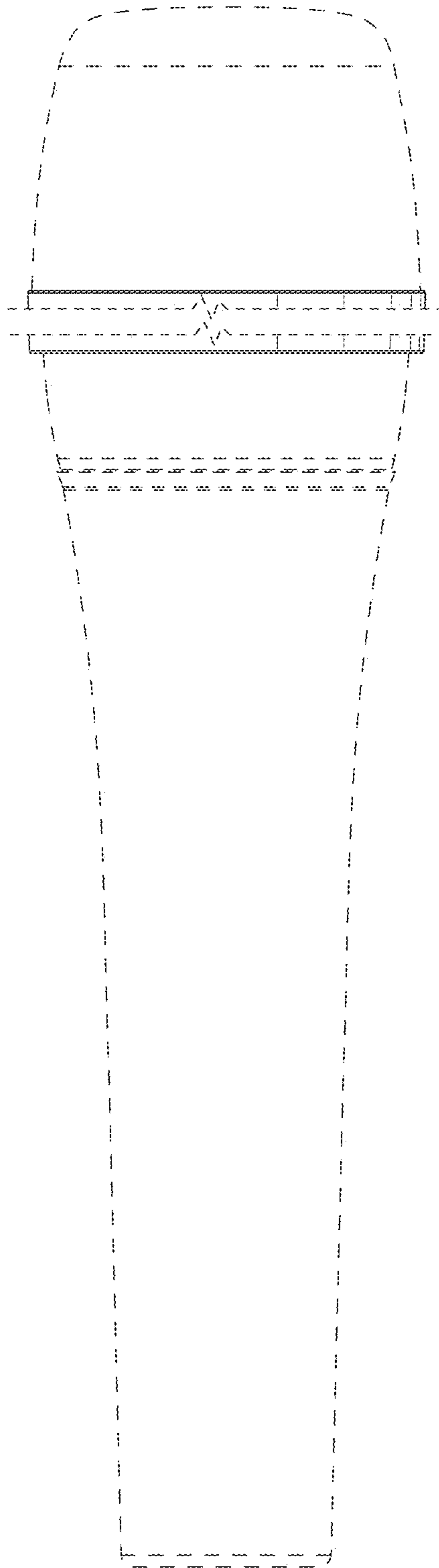


Fig. 8

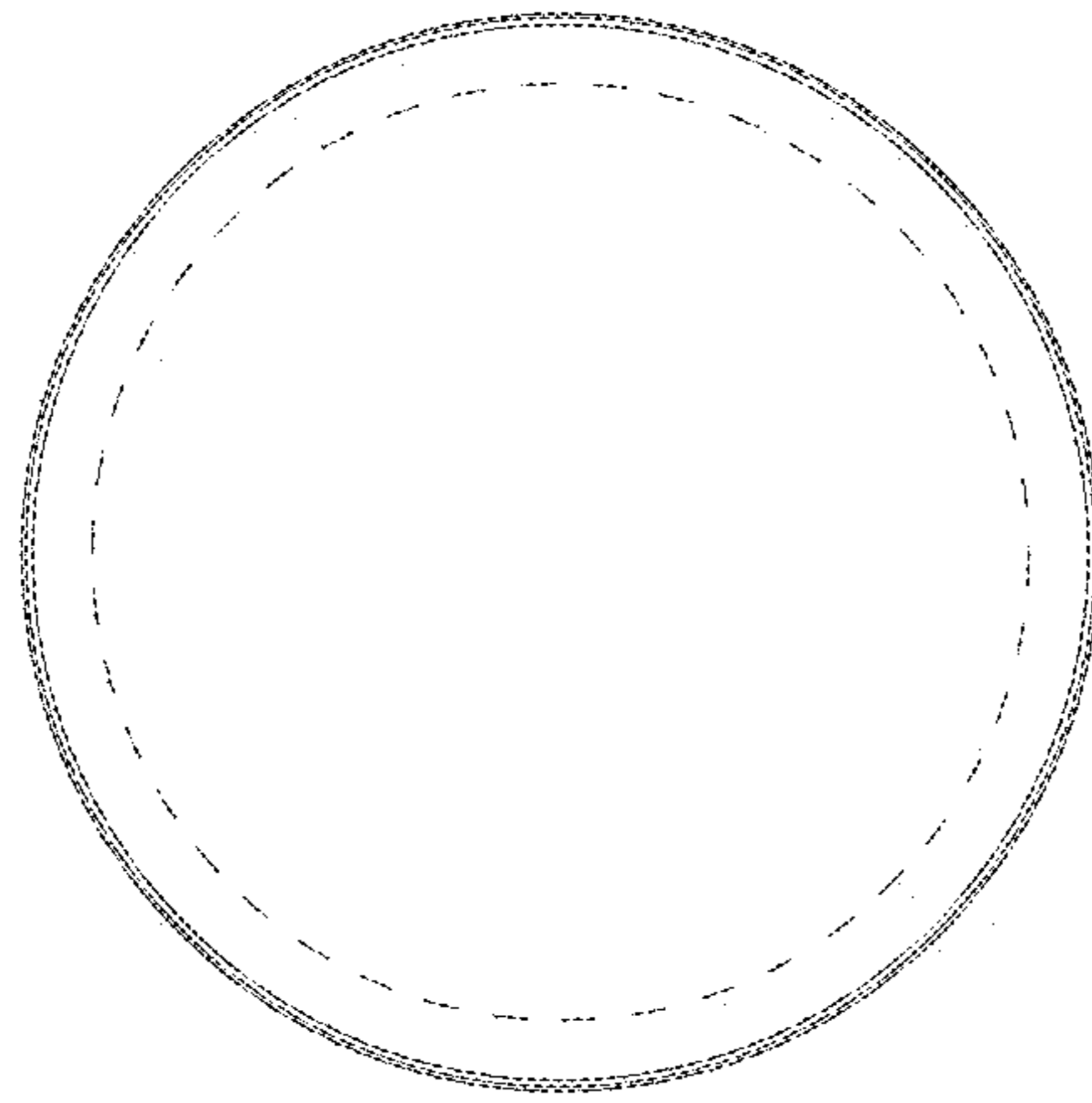


Fig. 9

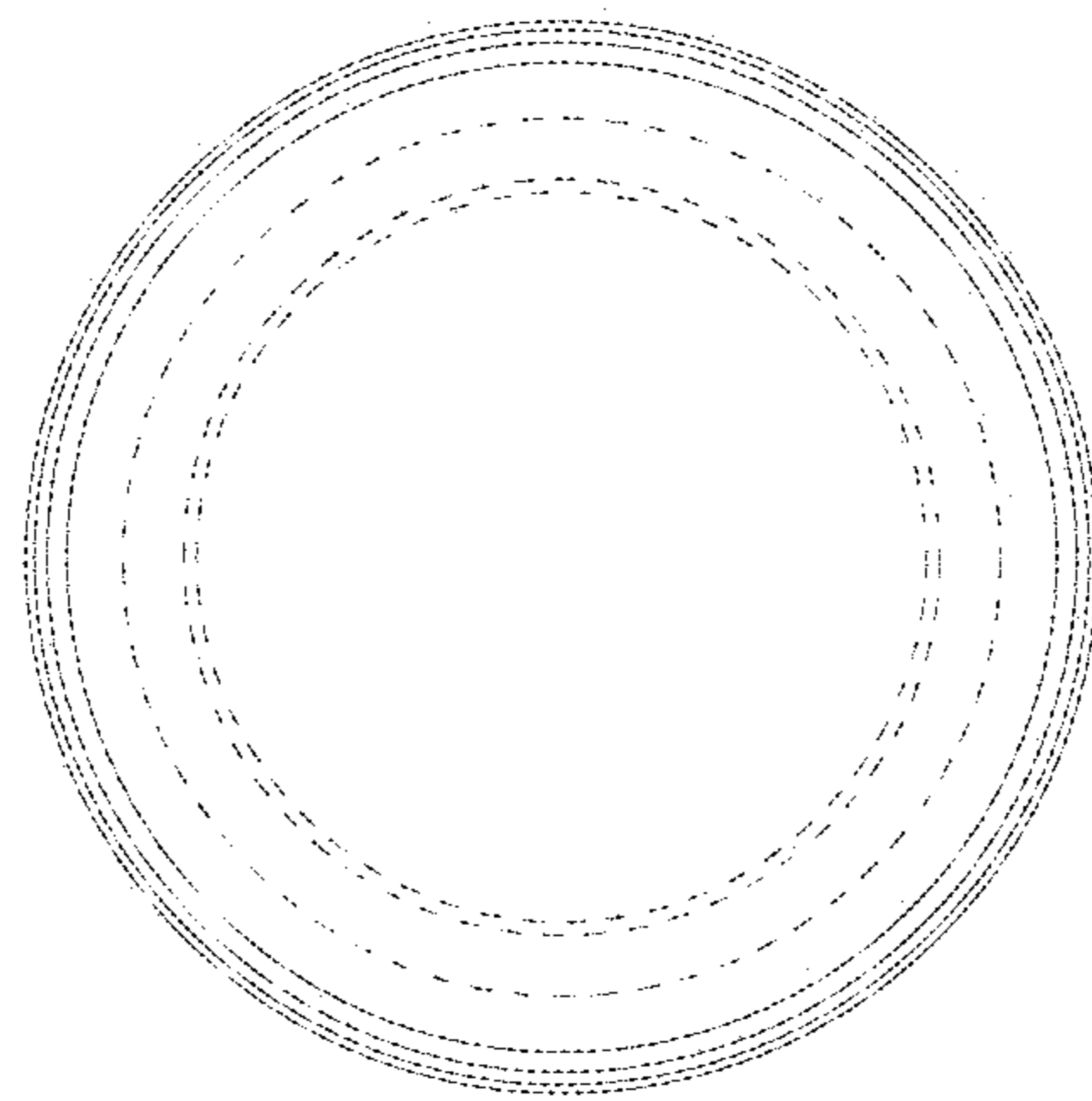


Fig. 10