

US00D976875S

(12) **United States Design Patent** (10) **Patent No.:** **US D976,875 S**  
**Fan** (45) **Date of Patent:** **\*\* Jan. 31, 2023**

(54) **EARPHONE HANGER**

(71) Applicant: **Eagle Fan**, Chu-Pei (TW)

(72) Inventor: **Eagle Fan**, Chu-Pei (TW)

(\*\*) Term: **15 Years**

(21) Appl. No.: **29/745,501**

(22) Filed: **Aug. 6, 2020**

(51) **LOC (14) Cl.** ..... **14-01**

(52) **U.S. Cl.**  
USPC ..... **D14/224**

(58) **Field of Classification Search**

USPC ..... D6/406.4, 580; D8/373, 380, 349, 371;  
D12/415, 421; D13/107, 108, 146;  
D14/432-434, 447, 358, 251, 253

CPC ..... B60R 11/02; B60R 2011/0085; B60R  
2011/0059; A47B 2097/005

See application file for complete search history.

(56) **References Cited**

**U.S. PATENT DOCUMENTS**

D257,810 S \* 1/1981 Wilson ..... D8/355  
D312,987 S \* 12/1990 Kuli ..... 24/171  
D359,224 S \* 6/1995 Airey ..... D8/349  
D656,940 S \* 4/2012 McClelland ..... D14/447  
D771,635 S \* 11/2016 Kuo ..... D14/457  
D802,519 S \* 11/2017 Burch ..... D12/421  
D813,656 S \* 3/2018 Kremer ..... D8/373  
D829,724 S \* 10/2018 Chun ..... D14/447  
D844,594 S \* 4/2019 Karakasiliotis ..... D14/240  
D861,002 S \* 9/2019 Bergeron-Mirsky ..... D6/675.3  
D956,767 S \* 7/2022 Shortt ..... D14/447  
2016/0044805 A1 \* 2/2016 Fan ..... B60R 11/02  
232/4 R

**FOREIGN PATENT DOCUMENTS**

JP D202016870 \* 11/2020

**OTHER PUBLICATIONS**

[Knox Gear Headphone Hanger Mount with Built-in Cable Organizer], available in Amazon.com, date first available Aug. 25, 2020 [online], [site visited Jul. 7, 2022], Available from the internet URL: <https://www.amazon.com/Knox-Gear-Headphone-Hanger-Organizer/dp/B08GN88743> (Year: 2020).\*

[PC Gaming Headphone Stand], available in Amazon.com, date first available Aug. 25, 2020 [online], [site visited Jul. 7, 2022], Available from the internet URL: <https://www.amazon.com/Knox-Gear-Headphone-Hanger-Organizer/dp/B08GN88743> (Year: 2020).\*

\* cited by examiner

*Primary Examiner* — Khawaja Anwar

*Assistant Examiner* — Megan Tiana Rakos

(74) *Attorney, Agent, or Firm* — Lin & Associates  
Intellectual Property, Inc.

(57) **CLAIM**

The ornamental design for an earphone hanger, as shown and described.

**DESCRIPTION**

FIG. 1 is a perspective view of an earphone hanger showing my new design;

FIG. 2 is a front elevational view thereof;

FIG. 3 is a rear elevational view thereof;

FIG. 4 is a left elevational view thereof;

FIG. 5 is a right elevational view thereof;

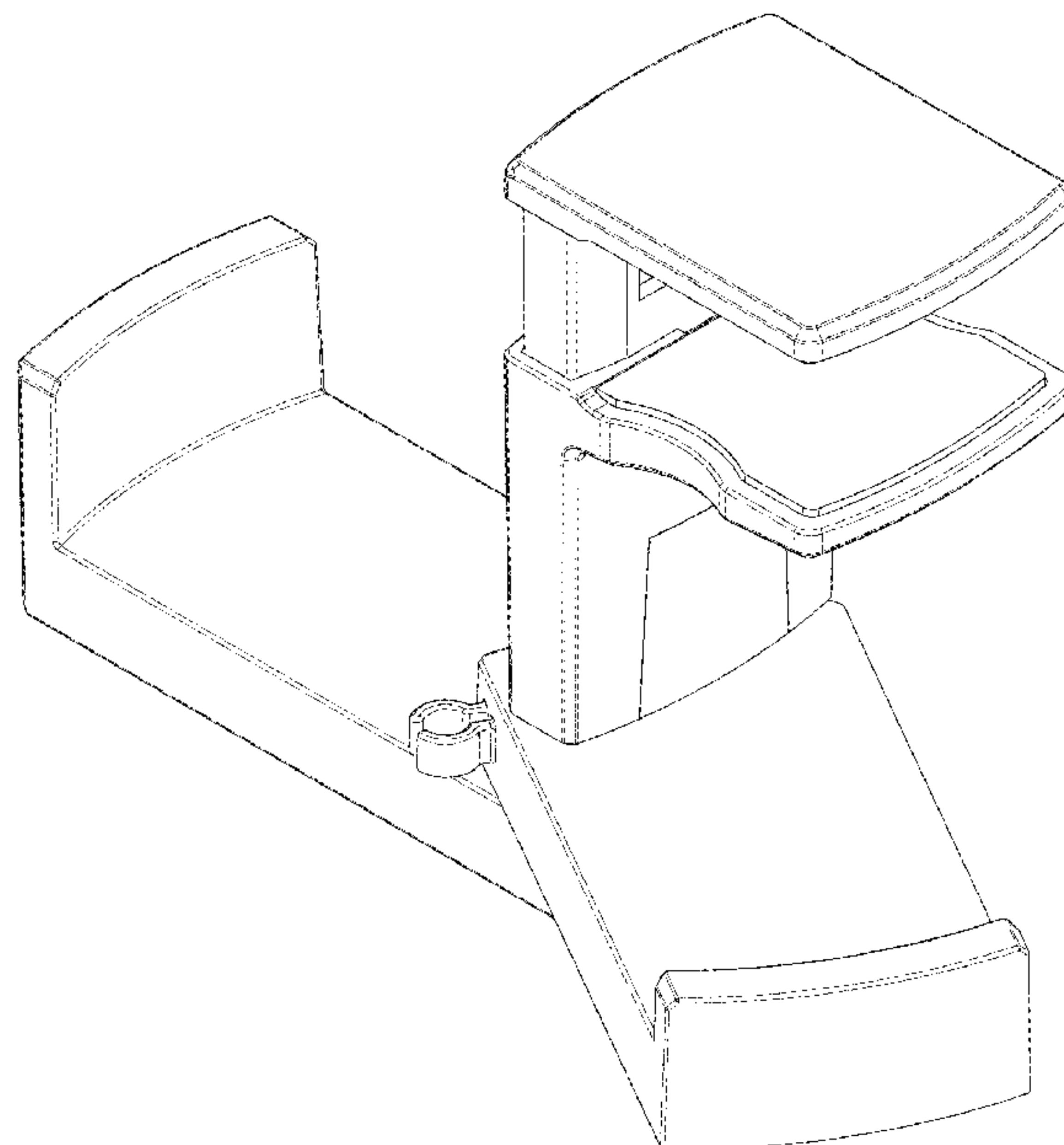
FIG. 6 is a top view thereof;

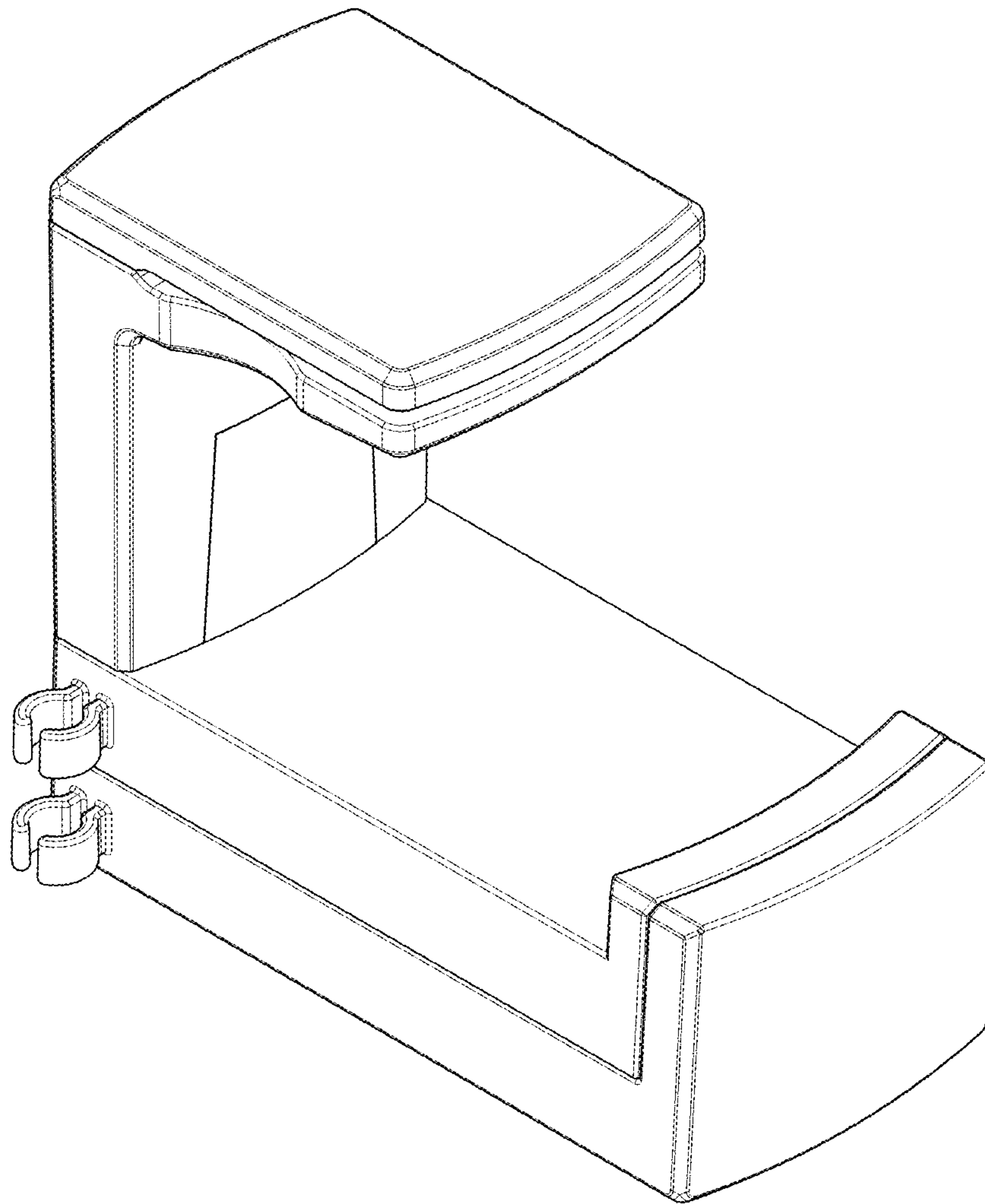
FIG. 7 is a bottom view thereof; and,

FIG. 8 is a perspective view showing the earphone hanger in use thereof.

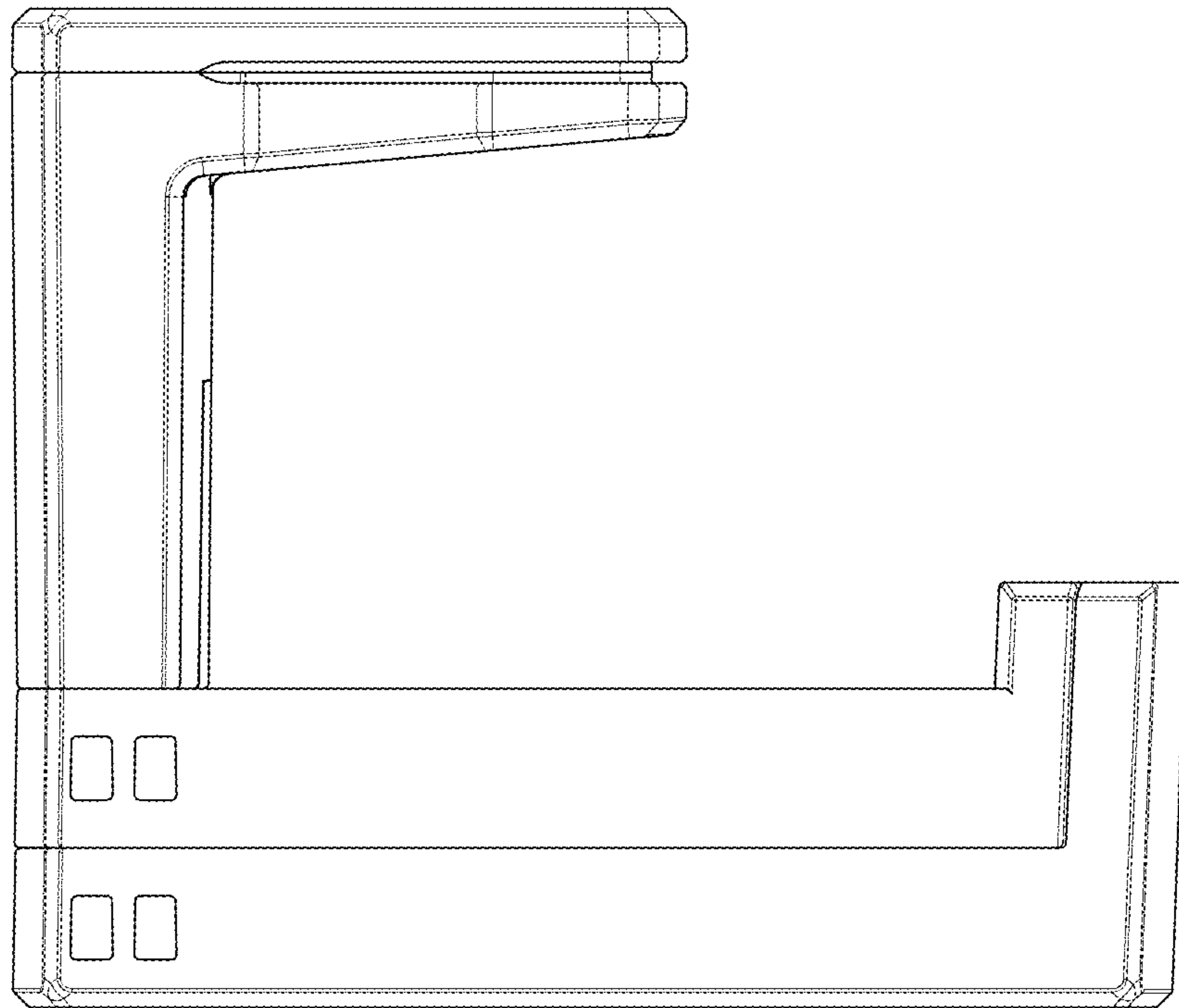
The broken lines shown in the drawings illustrate portions of the earphone hanger that form no part of the claimed design.

**1 Claim, 8 Drawing Sheets**

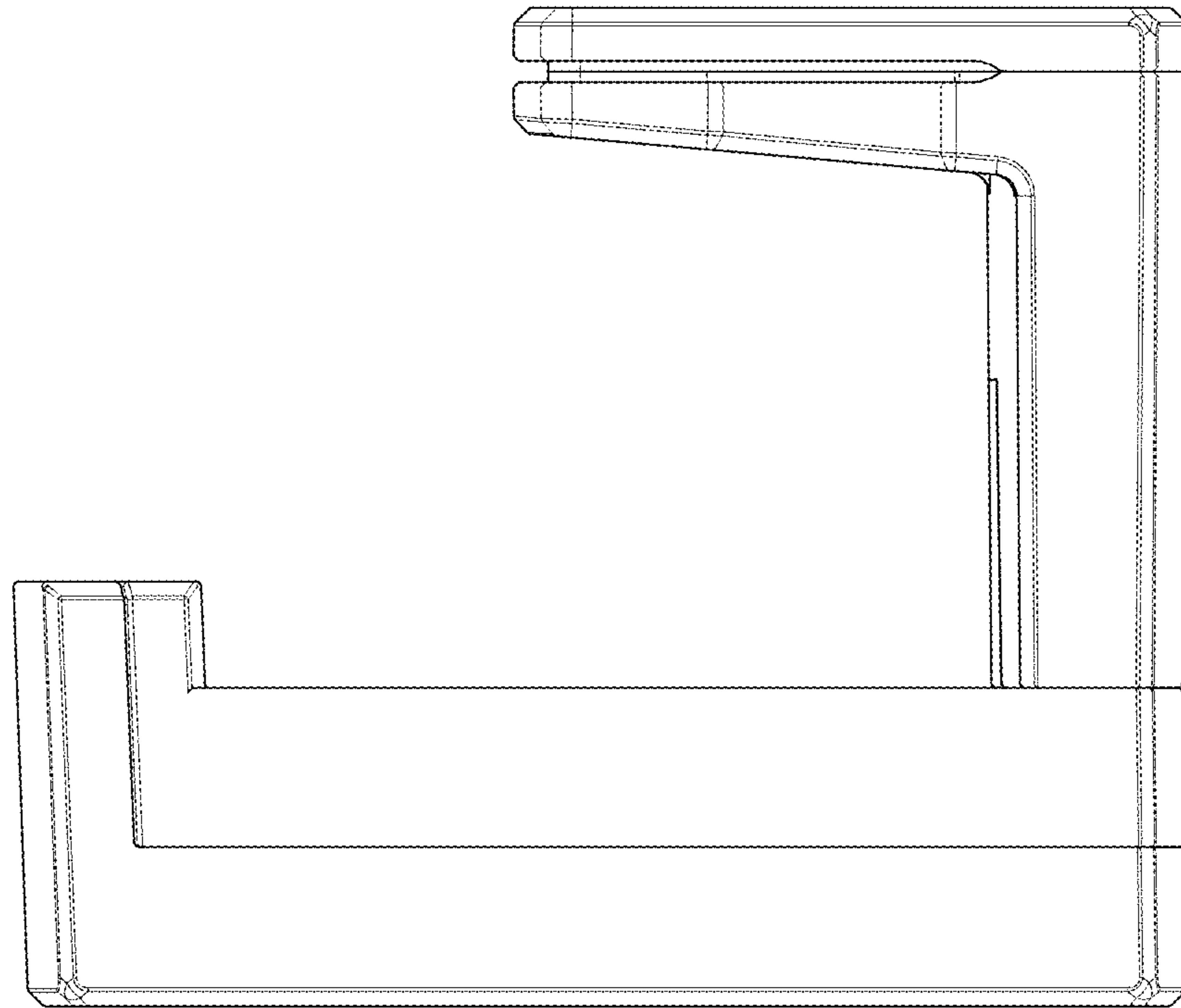




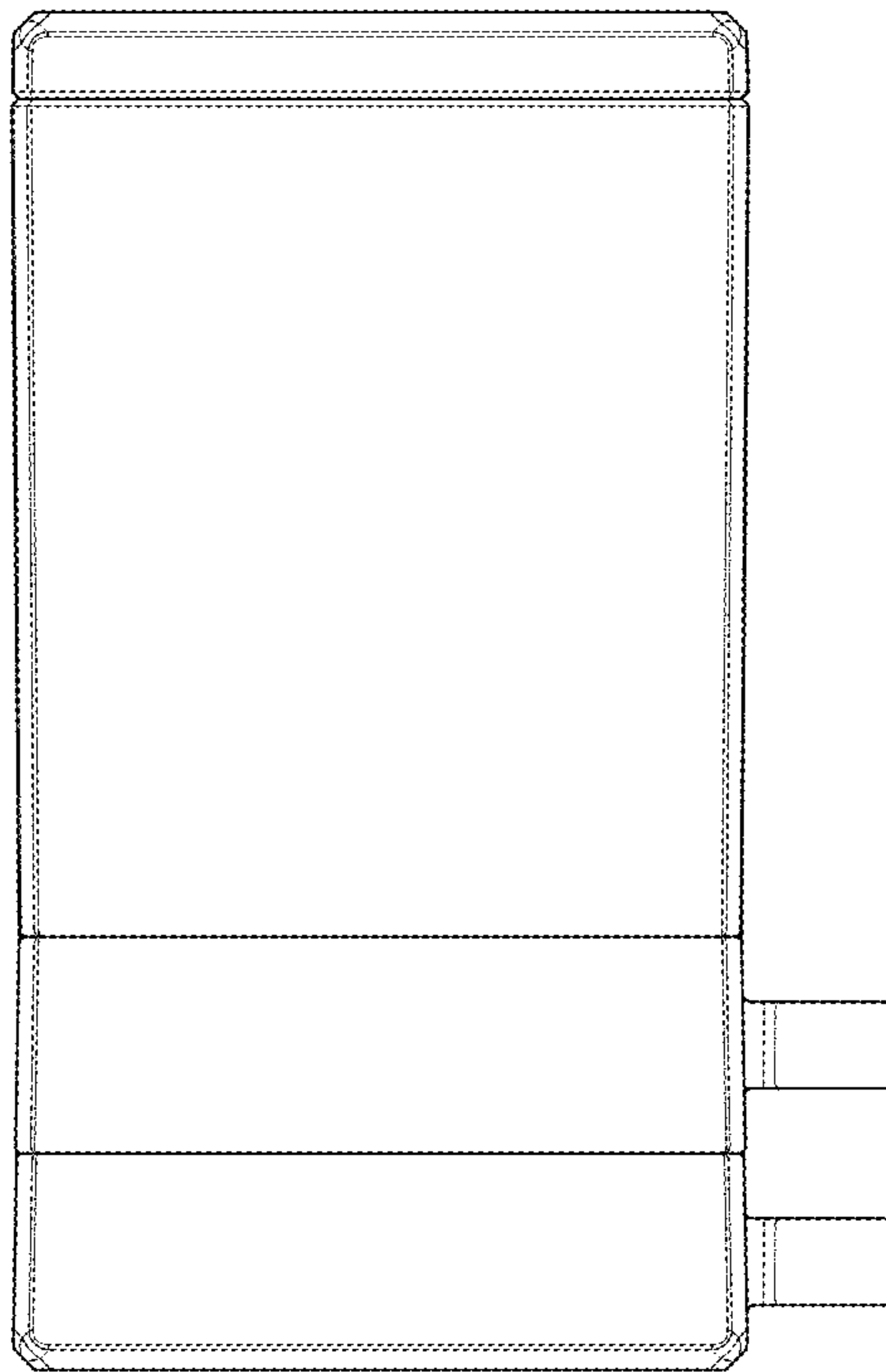
**FIG. 1**



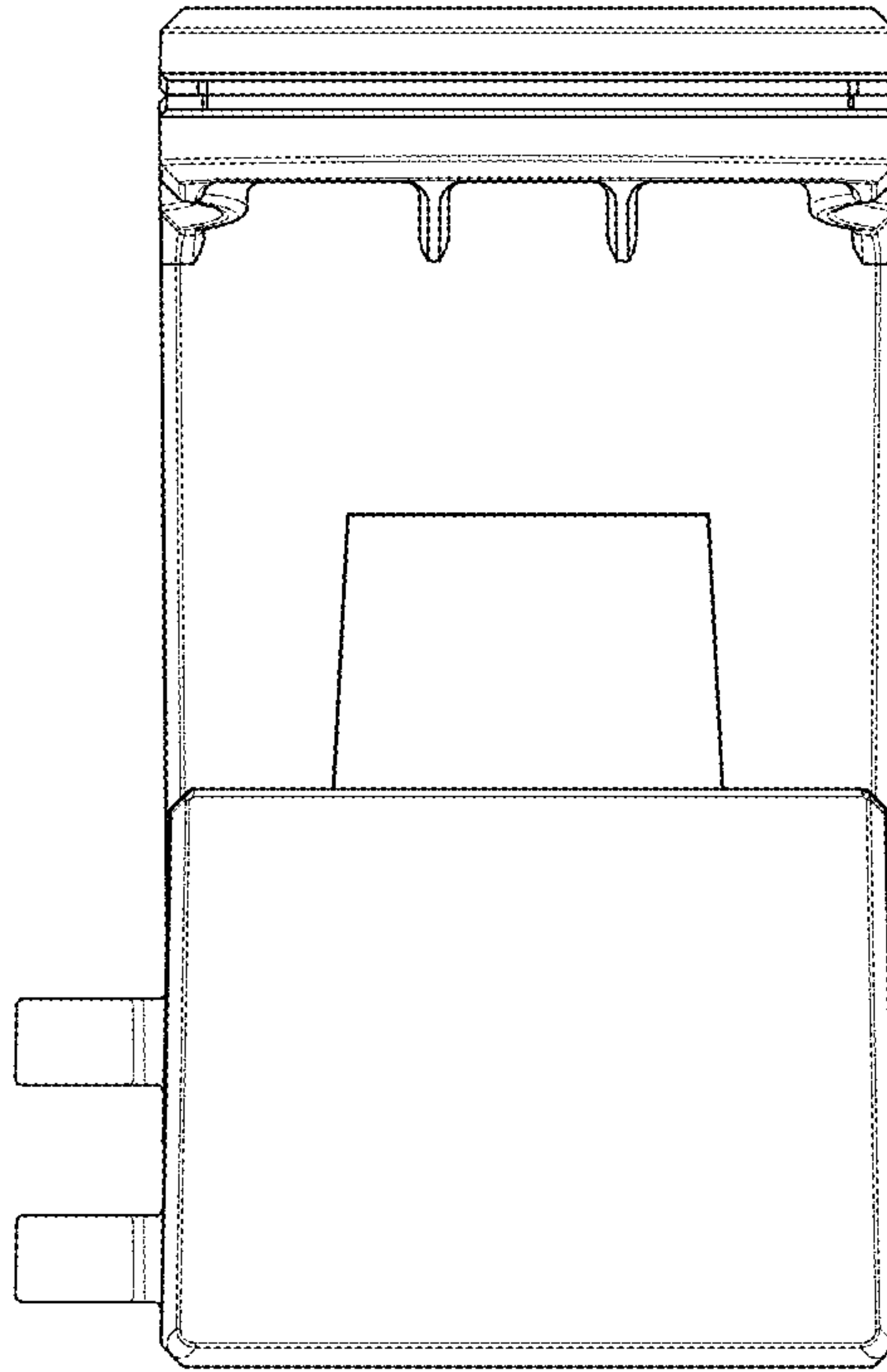
**FIG. 2**



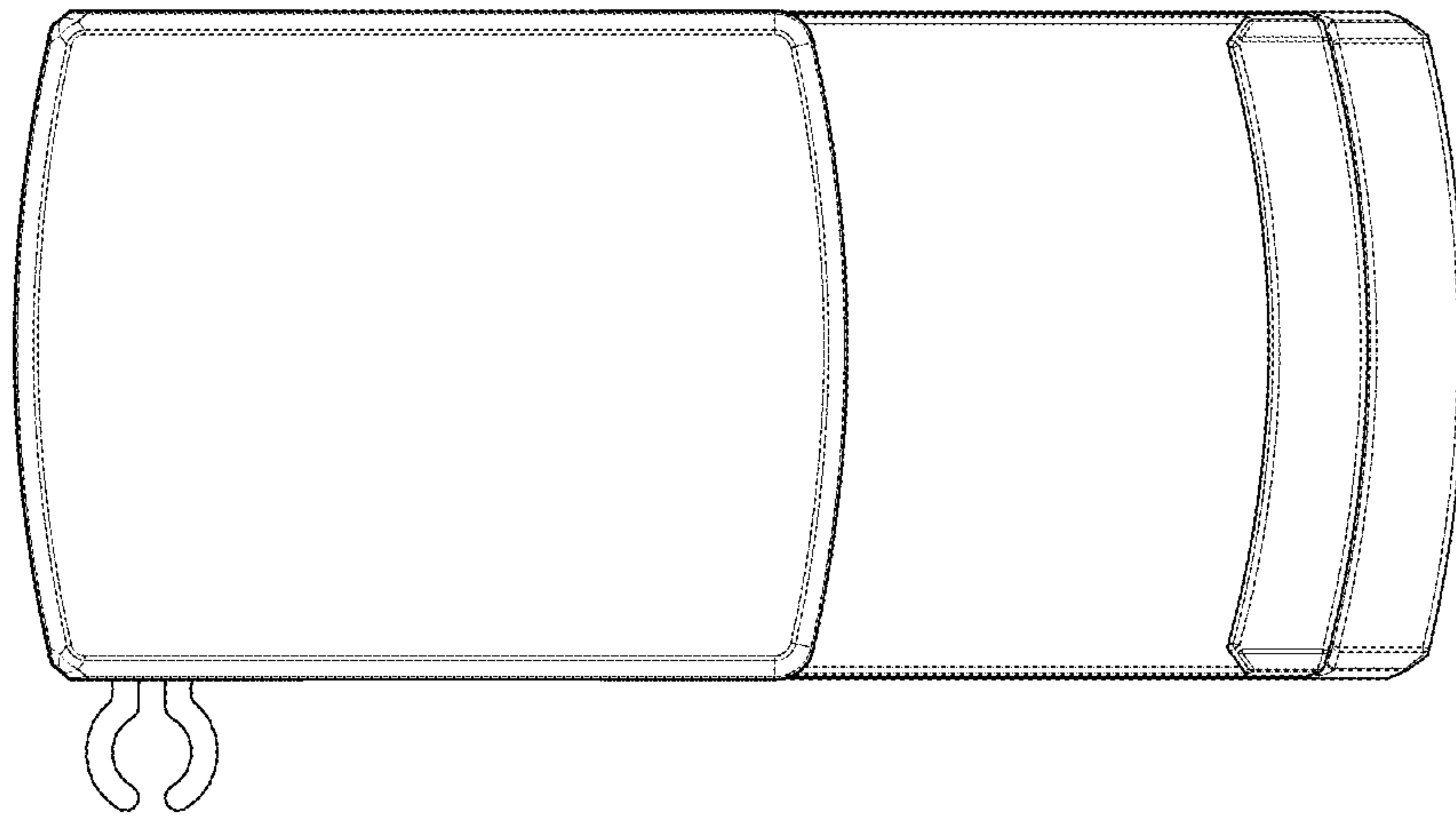
**FIG. 3**



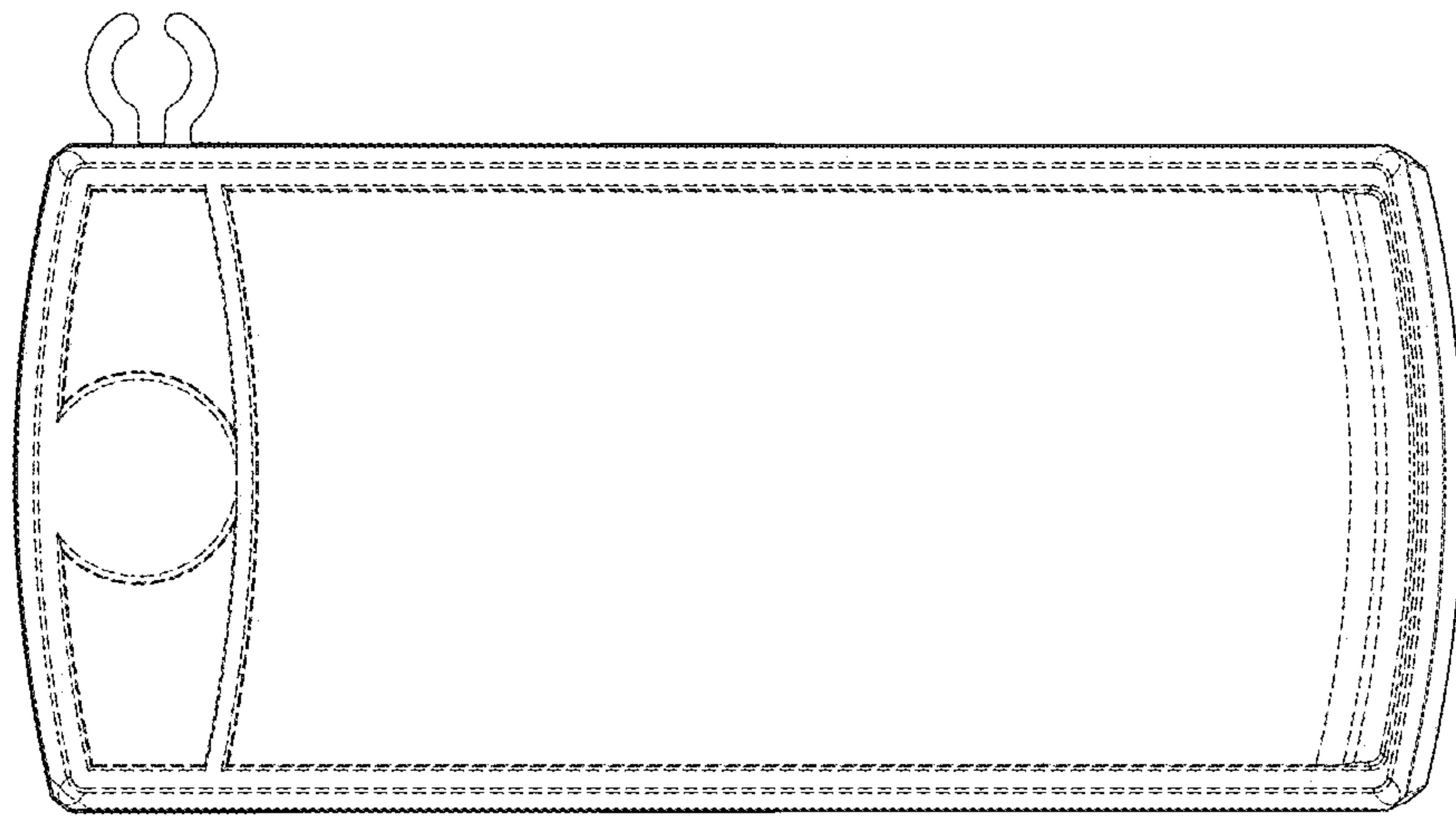
**FIG. 4**



**FIG. 5**

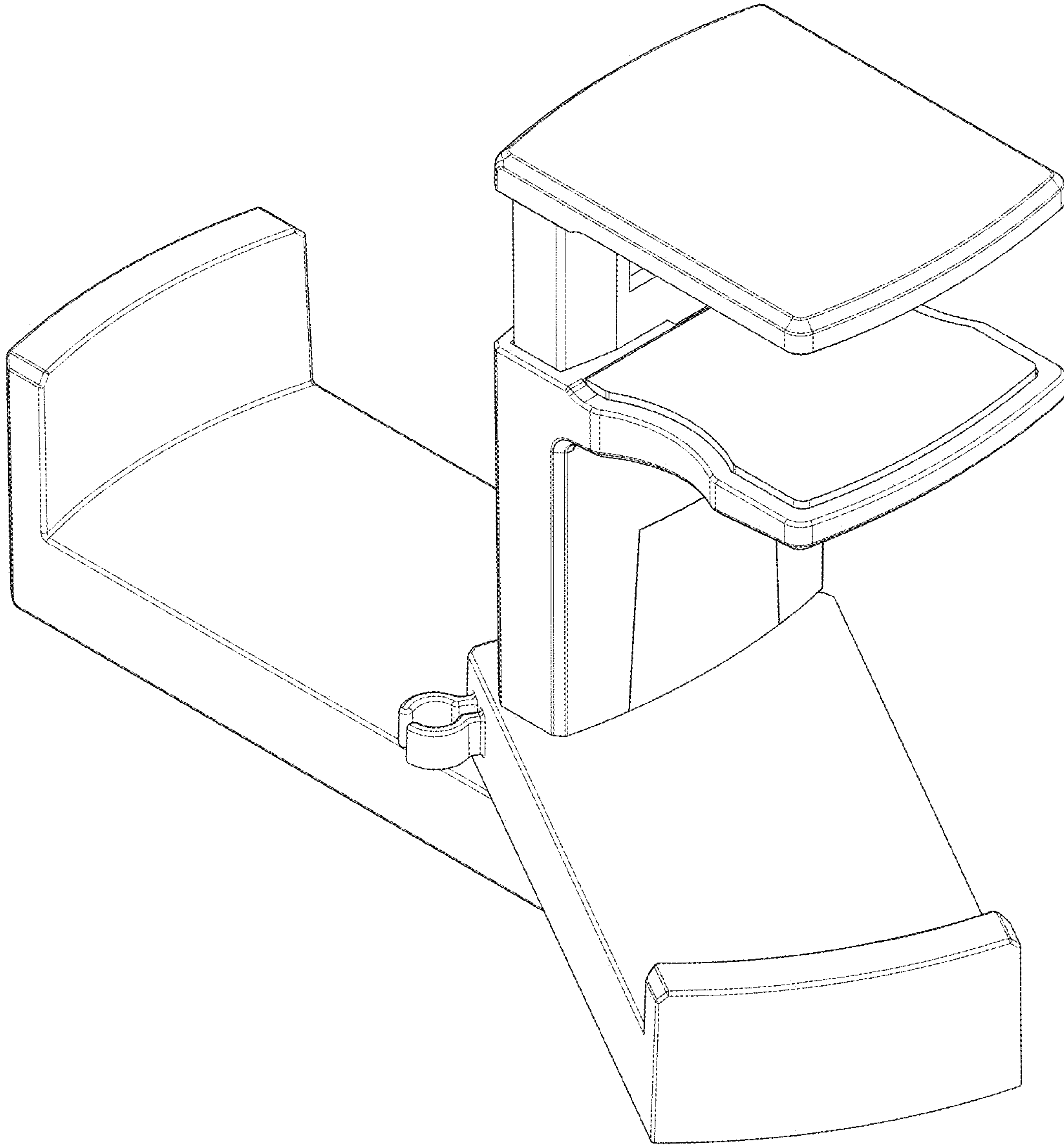


**FIG. 6**



**FIG. 7**





**FIG. 8**