



US00D976869S

(12) **United States Design Patent**
Brown et al.

(10) **Patent No.:** **US D976,869 S**
(45) **Date of Patent:** **** Jan. 31, 2023**

(54) **LOUDSPEAKER**

(71) Applicant: **Harman International Industries, Incorporated**, Northridge, CA (US)

(72) Inventors: **Larry Paul Brown**, Altadena, CA (US);
Chris N. Hagen, Simi Valley, CA (US);
James Garrett, Simi Valley, CA (US)

(73) Assignee: **Harman International Industries, Incorporated**, Northridge, CA (US)

(**) Term: **15 Years**

(21) Appl. No.: **29/712,118**

(22) Filed: **Nov. 5, 2019**

(51) **LOC (14) Cl.** **14-01**

(52) **U.S. Cl.**

USPC **D14/221**; D14/214

(58) **Field of Classification Search**

USPC D14/167, 168, 170–172, 188, 194–197,
D14/203.1–203.8, 204, 209.1, 210–217,
D14/219, 221, 222, 224, 239, 496

CPC B60R 11/0217; G06F 1/1688; H04M 1/03;
H04M 1/035; G10K 9/22; G10K 11/004;
H03F 1/327; H04N 5/642; H04N
21/4852; H04R 1/02; H04R 1/06; H04R
1/021; H04R 1/025; H04R 1/026; H04R
1/028; H04R 1/105; H04R 1/323; H04R
1/403; H04R 1/2803; H04R 1/2834;
H04R 5/02; H04R 7/20; H04R 9/06;
H04R 9/025; H04R 2201/021; H04R
2400/00; H04R 2400/07; H04R 2499/11;
H04R 2499/13; H04R 2499/15; H04S
3/00; H04S 7/30

See application file for complete search history.

(56) **References Cited**

U.S. PATENT DOCUMENTS

D243,023 S * 1/1977 Robson D14/214
D373,359 S * 9/1996 Meyer D14/204

D691,591 S 10/2013 Lum et al.
D691,592 S 10/2013 Lum et al.
D693,334 S 11/2013 Lum et al.
D710,827 S 8/2014 Lum et al.
D726,149 S 4/2015 Rodgers et al.
D760,191 S 6/2016 Nugent et al.
D783,570 S 4/2017 Sprinkle
D796,472 S 9/2017 Sprinkle
D800,696 S 10/2017 Fubis et al.

(Continued)

OTHER PUBLICATIONS

Design U.S. Appl. No. 29/667,897, filed Oct. 25, 2018.

(Continued)

Primary Examiner — Keli L Hill

(74) *Attorney, Agent, or Firm* — Plumsea Law Group, LLC

(57) **CLAIM**

The ornamental design for a loudspeaker, as shown and described.

DESCRIPTION

FIG. 1 is a front perspective view of a loudspeaker showing the new design;

FIG. 2 is a front elevational view thereof;

FIG. 3 is a rear elevational view thereof;

FIG. 4 is a side elevational view thereof;

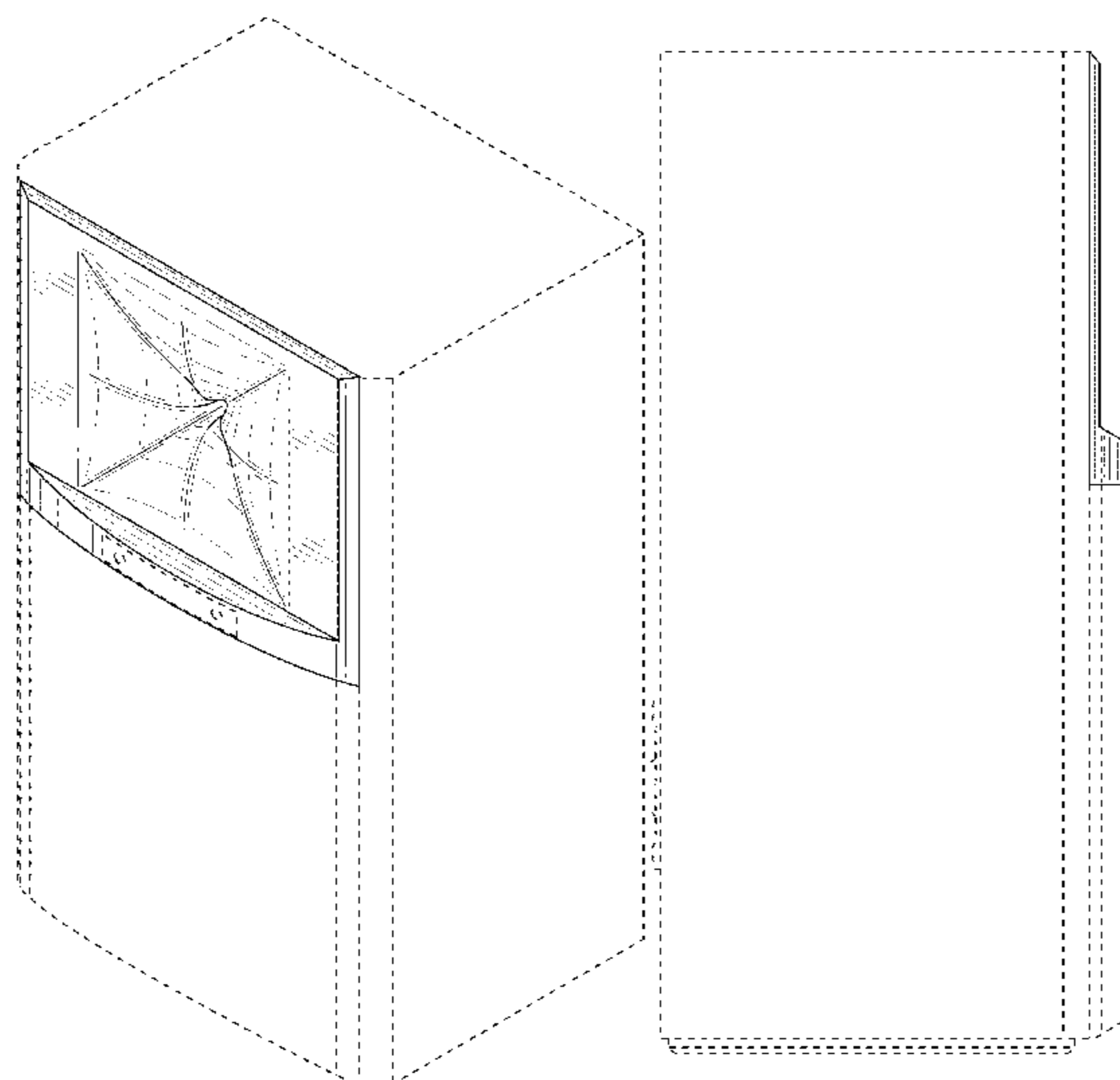
FIG. 5 is an opposite side elevational view thereof;

FIG. 6 is a top view thereof; and,

FIG. 7 is a bottom view thereof.

The evenly spaced broken lines illustrate portions of the loudspeaker that form no part of the claimed design. The dot-dash broken lines represent boundaries of the claimed design and form no part thereof. The shading is provided merely to represent contours of the design and does not connote the character of the surfaces such as any specific texture, material, gloss, translucence, transparency, surface treatment, or surface decoration.

1 Claim, 7 Drawing Sheets



(56)

References Cited

U.S. PATENT DOCUMENTS

D806,671 S	1/2018	Kalyuzhny et al.
D811,374 S	2/2018	Fubis et al.
D821,360 S	6/2018	Moro
D822,006 S	7/2018	Moro
D823,281 S	7/2018	Garrett et al.
D839,853 S	2/2019	Garrett et al.
D856,300 S	8/2019	Peace, Jr. et al.
D864,910 S	10/2019	Peace, Jr. et al.
D875,716 S	2/2020	Brown et al.

OTHER PUBLICATIONS

Harman JBL Synthesis 4367 15-inch (380 mm) 2-way Floorstanding Loudspeaker Owner's Manual, 2015.

Harman JBL Synthesis 4367 15-inch (380 mm) 2-way Floorstanding Hi-Performance Loudspeaker Specification Sheet, 2015.

Hagen, Chris, Harman JBL 4367 Studio Monitor White Paper, 2015.

Harman Professional Catalog, JBL Series Studio Monitors, p. 287, 2015.

* cited by examiner

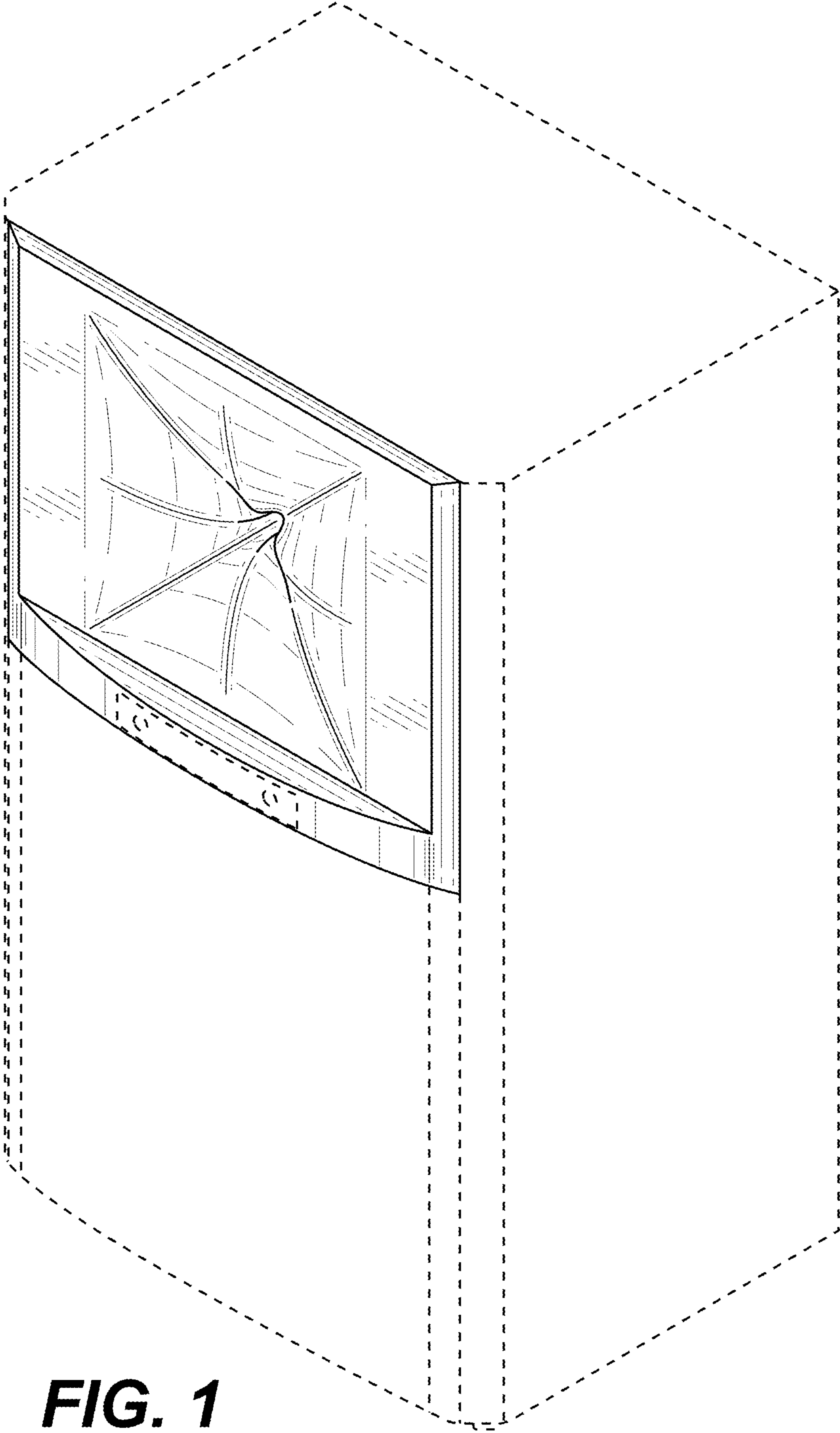


FIG. 1

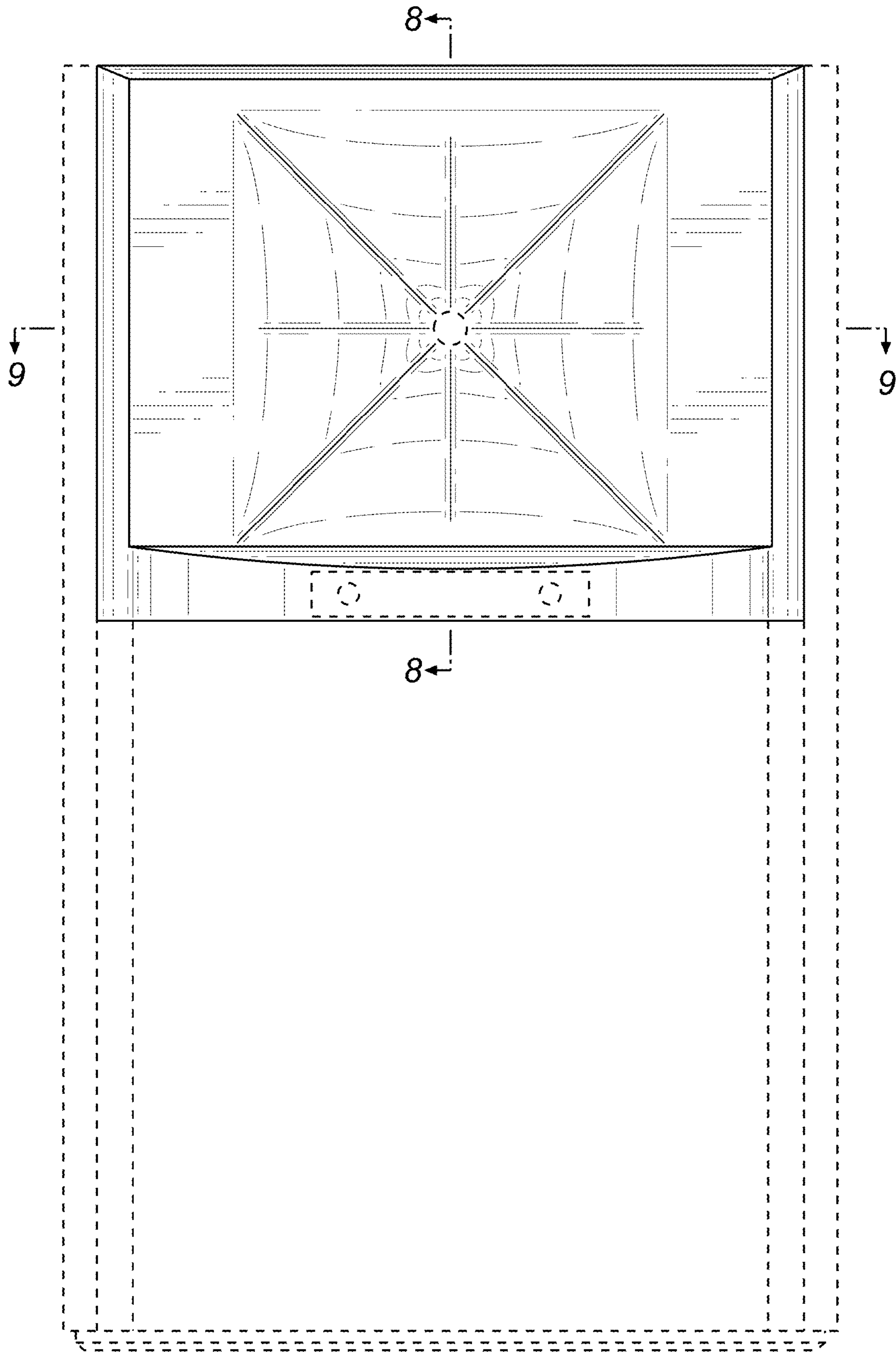


FIG. 2

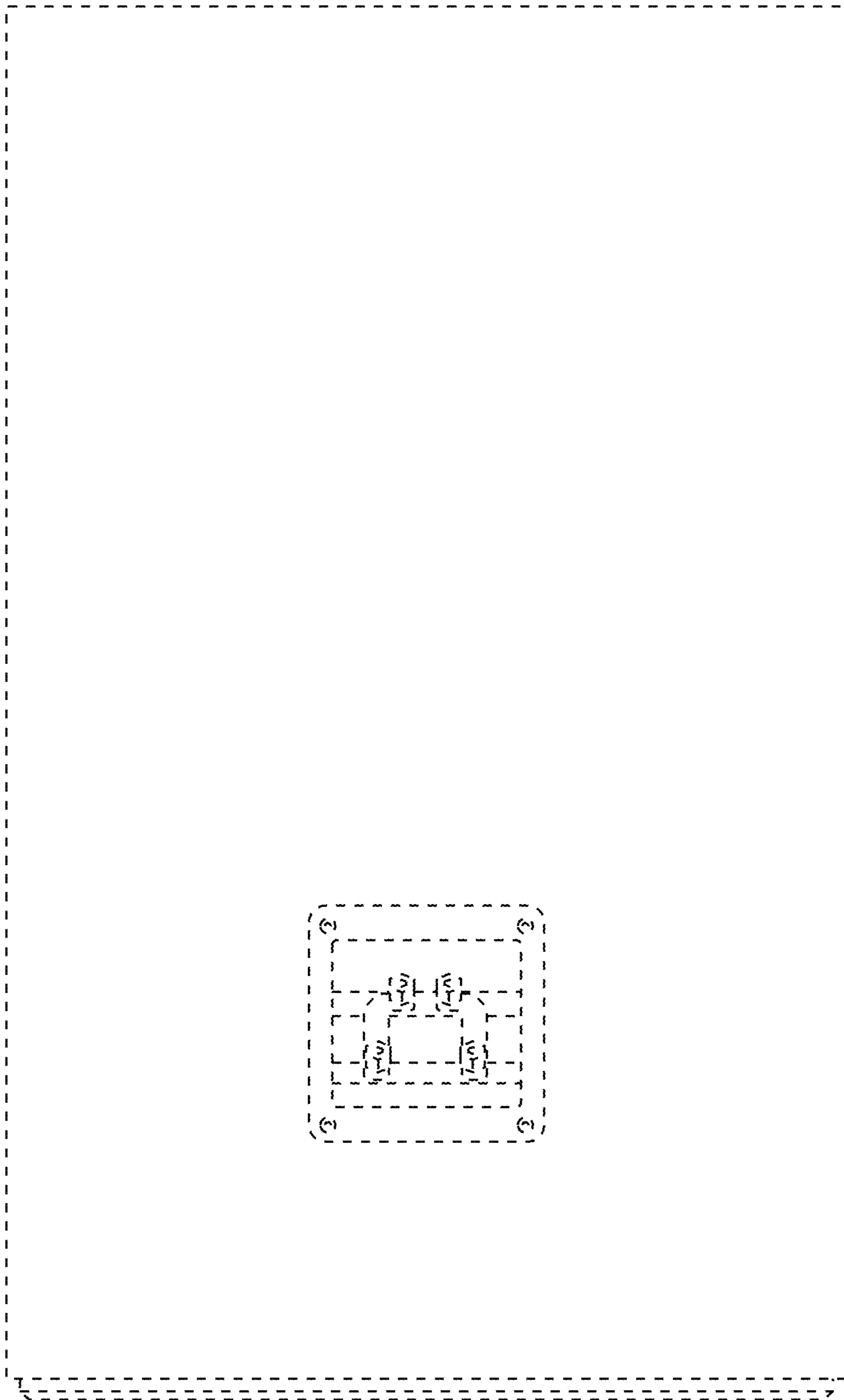


FIG. 3

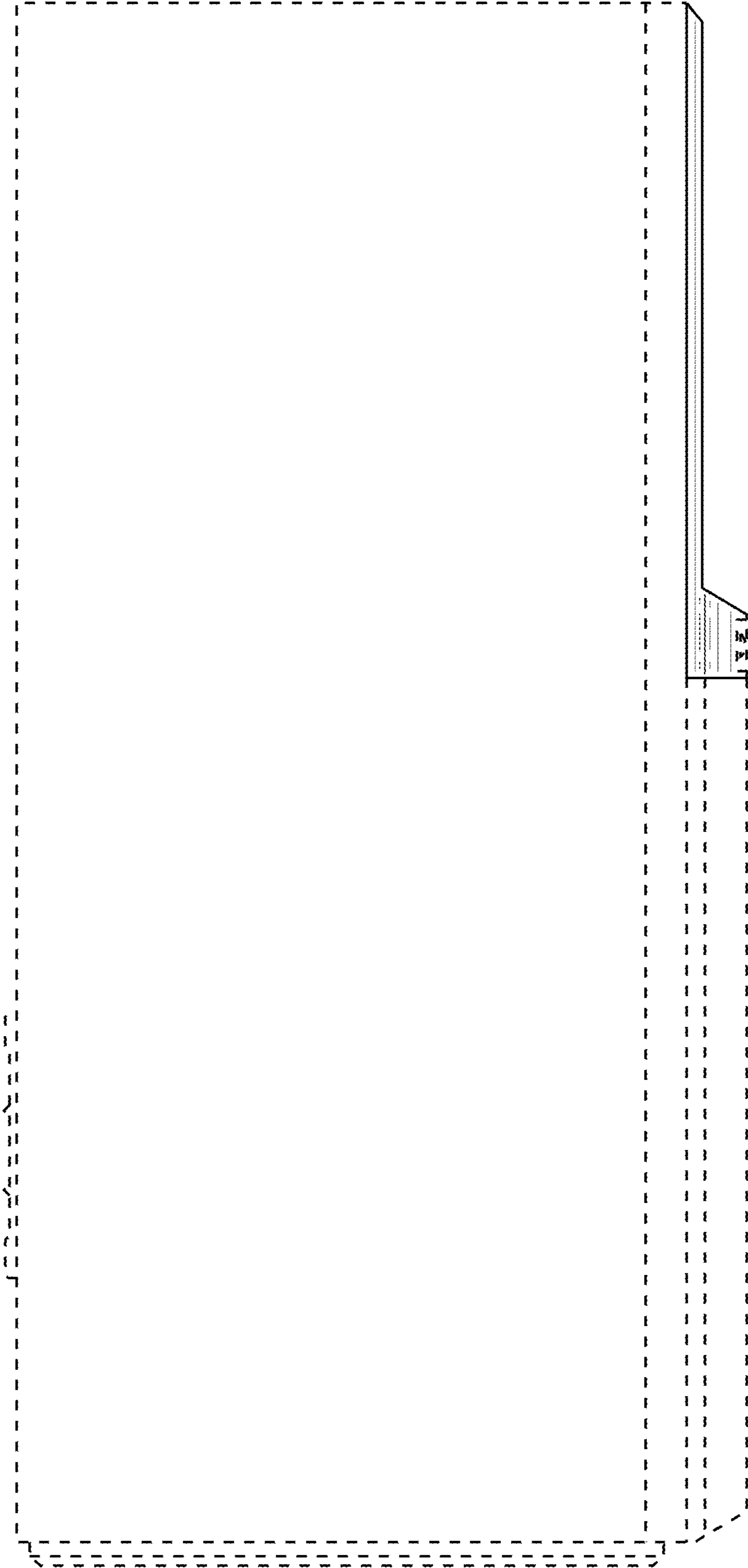


FIG. 4

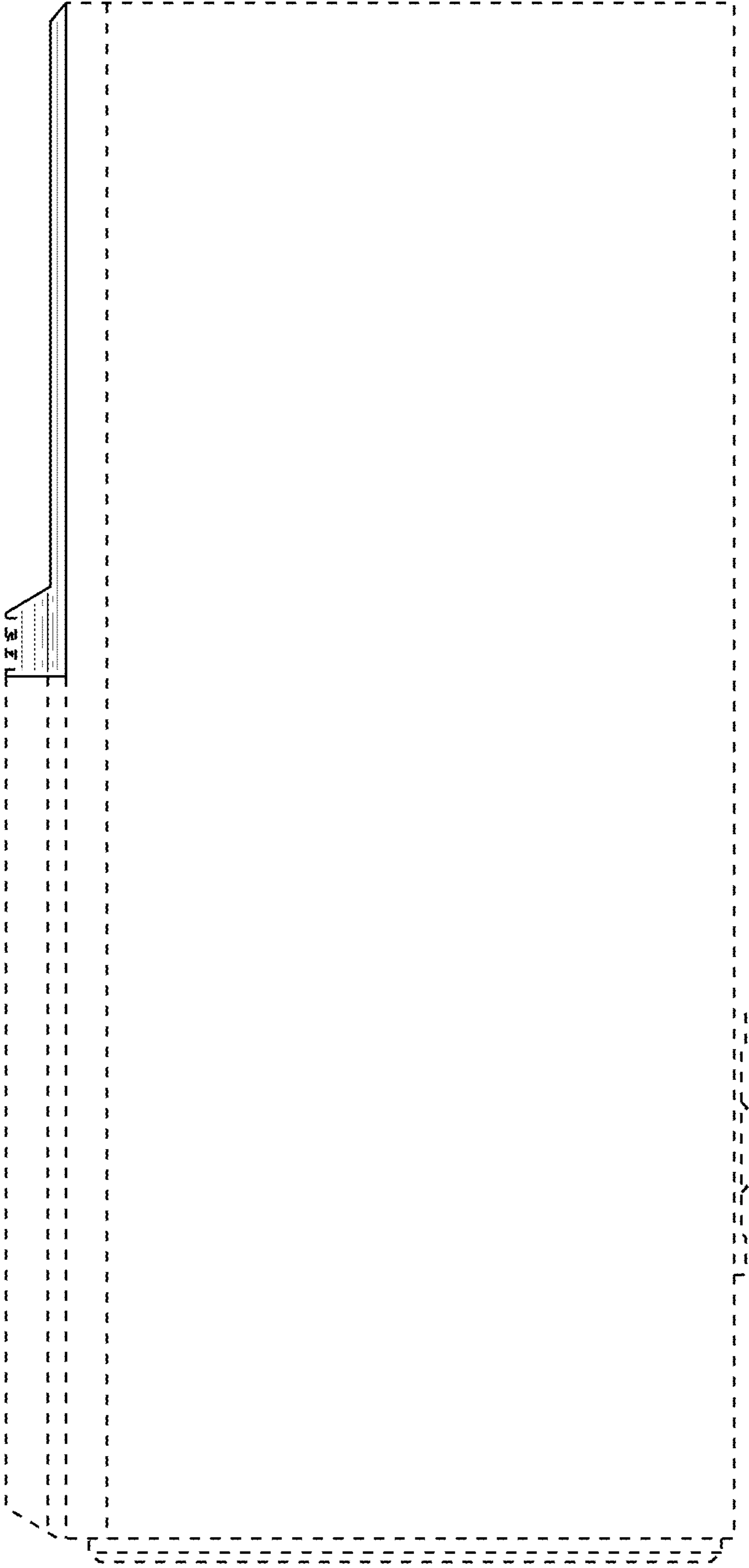


FIG. 5

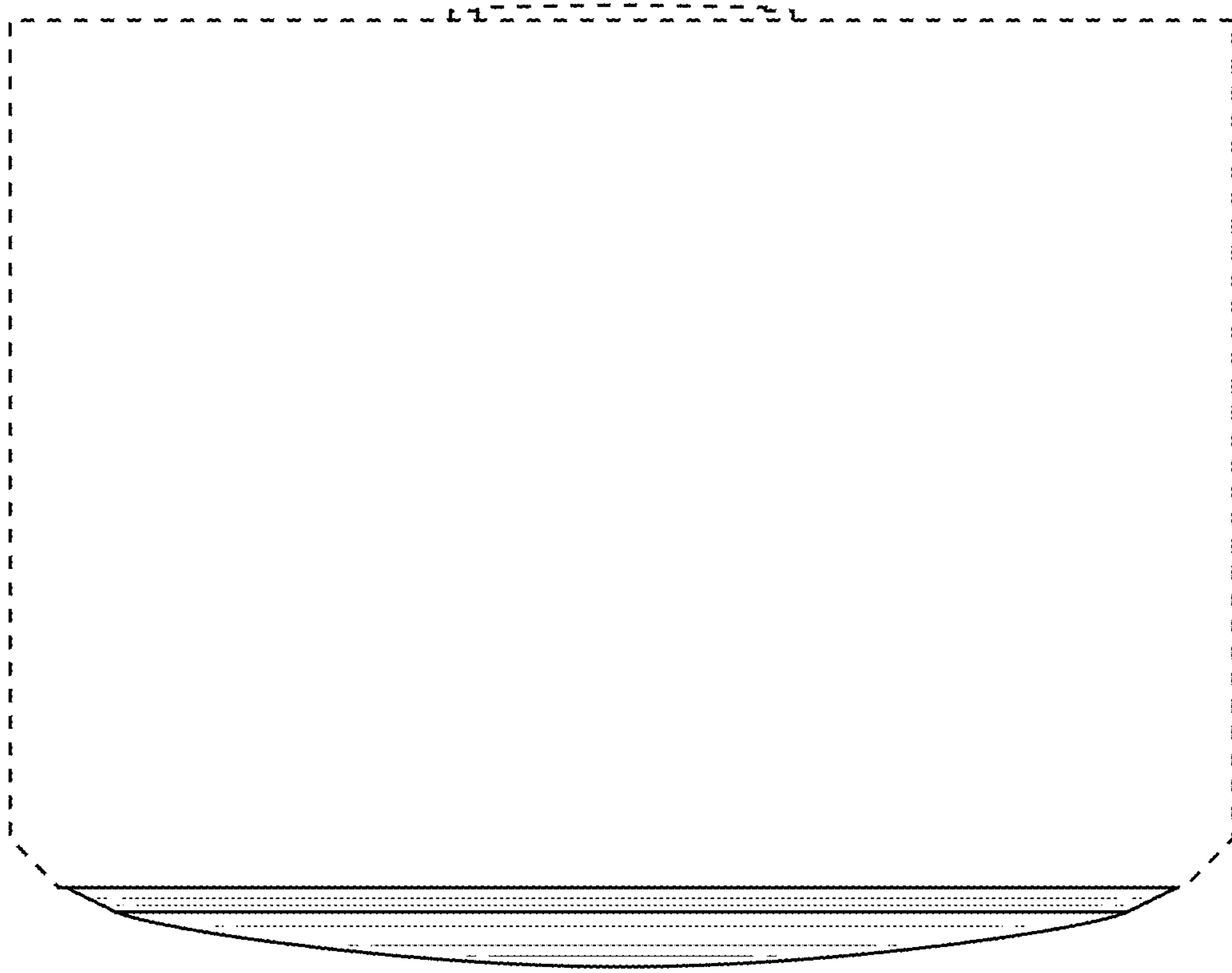


FIG. 6

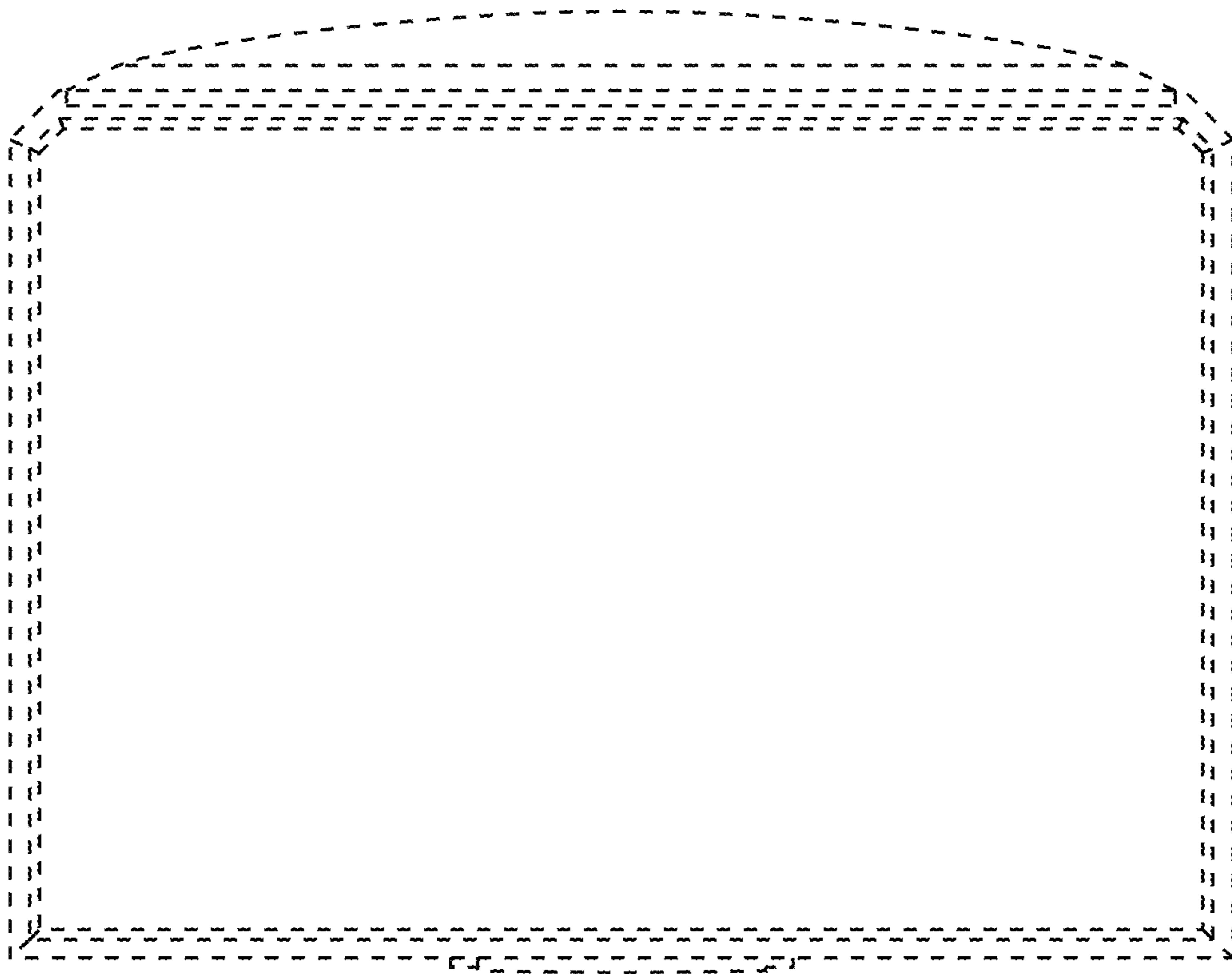


FIG. 7

UNITED STATES PATENT AND TRADEMARK OFFICE
CERTIFICATE OF CORRECTION

PATENT NO. : D976,869 S
APPLICATION NO. : 29/712118
DATED : January 31, 2023
INVENTOR(S) : Larry Paul Brown et al.

Page 1 of 8

It is certified that error appears in the above-identified patent and that said Letters Patent is hereby corrected as shown below:

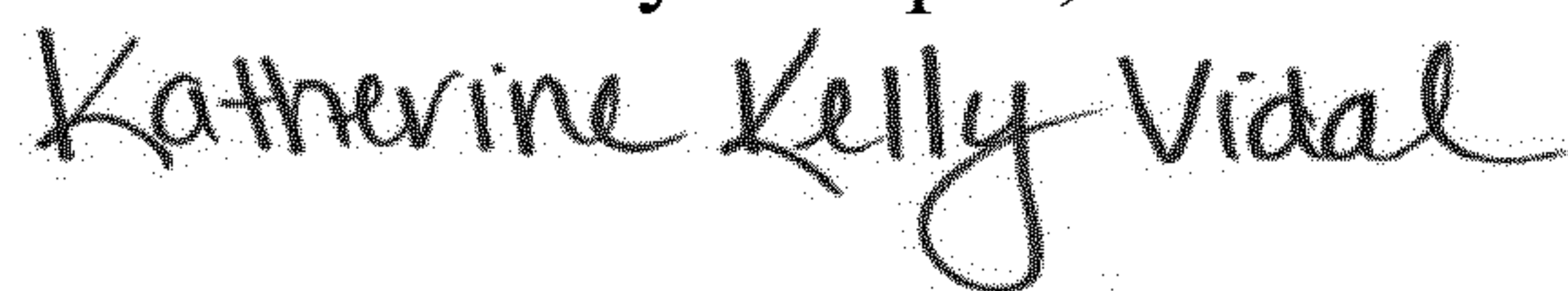
On the Title Page

At Lines 4-8 of the Description, delete the sentence: “The shading is provided merely to represent contours of the design and does not connote the character of the surfaces such as any specific texture, material, gloss, translucence, transparency, surface treatment, or surface decoration.”.

In the Drawings

Replace drawing sheets 1 through 7, and on the Title Page, the illustrative print Figures 1 and 4, with the attached drawing sheets shown with the corrected Figures 1-7.

Signed and Sealed this
Fourth Day of April, 2023



Katherine Kelly Vidal
Director of the United States Patent and Trademark Office

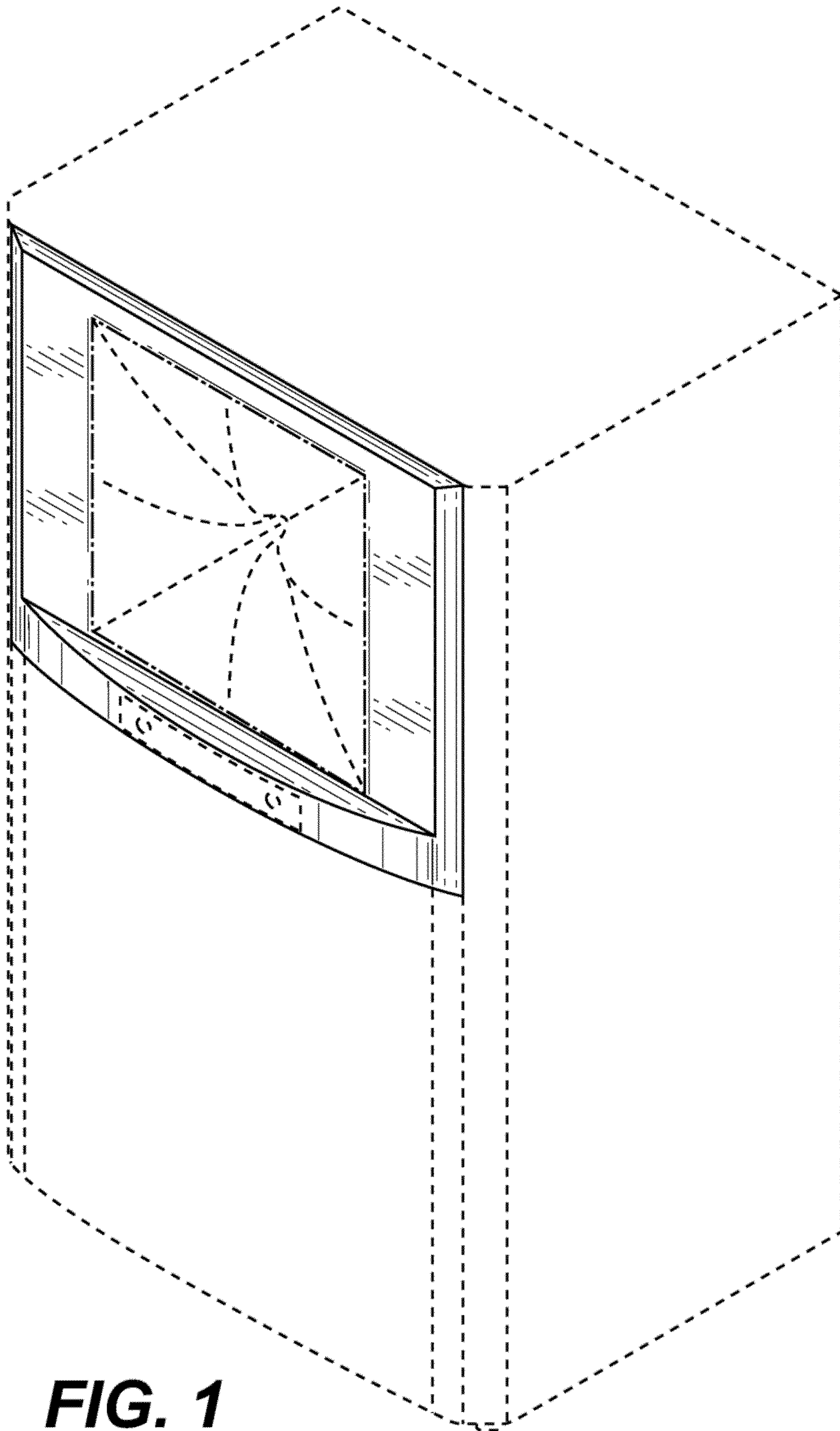


FIG. 1

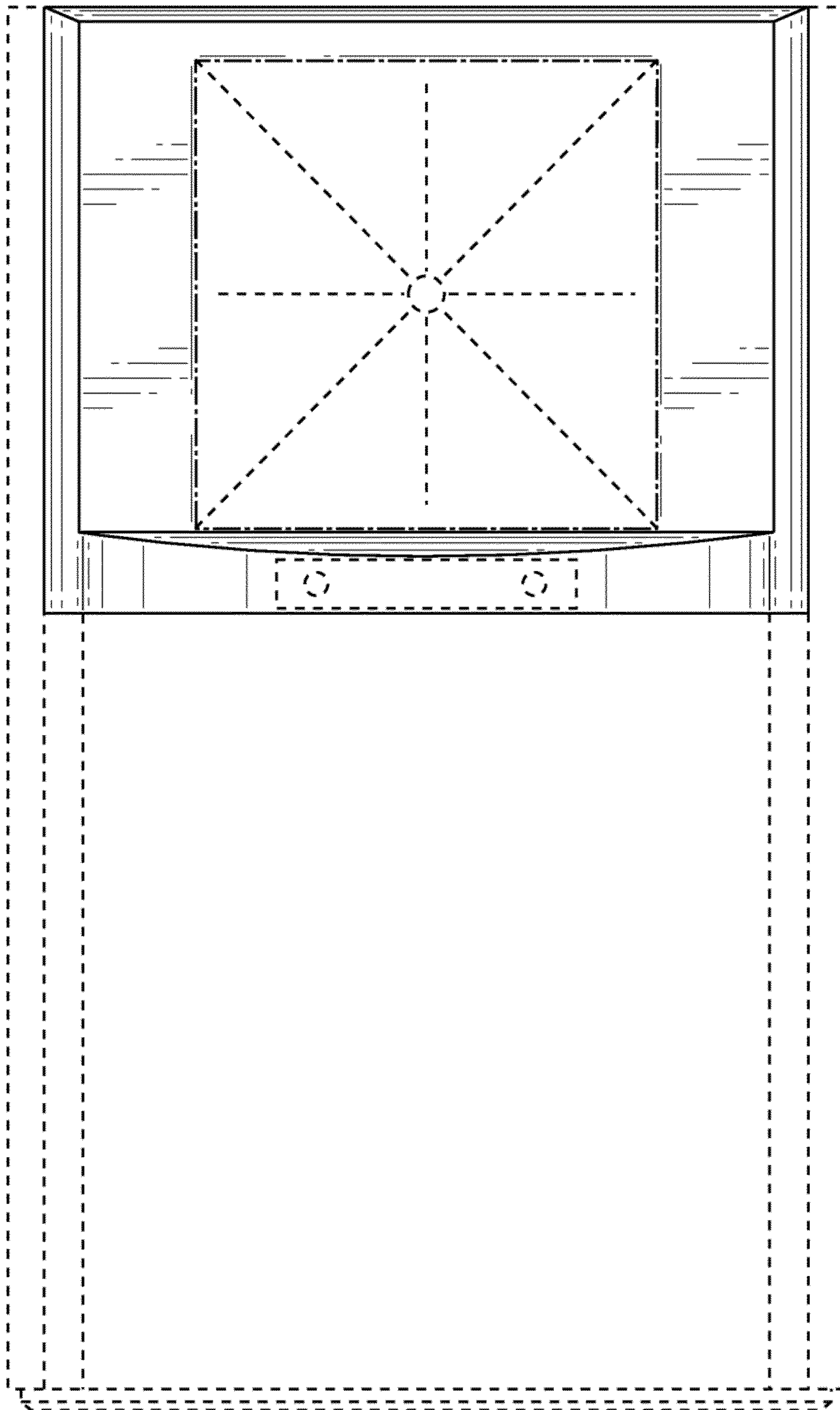


FIG. 2

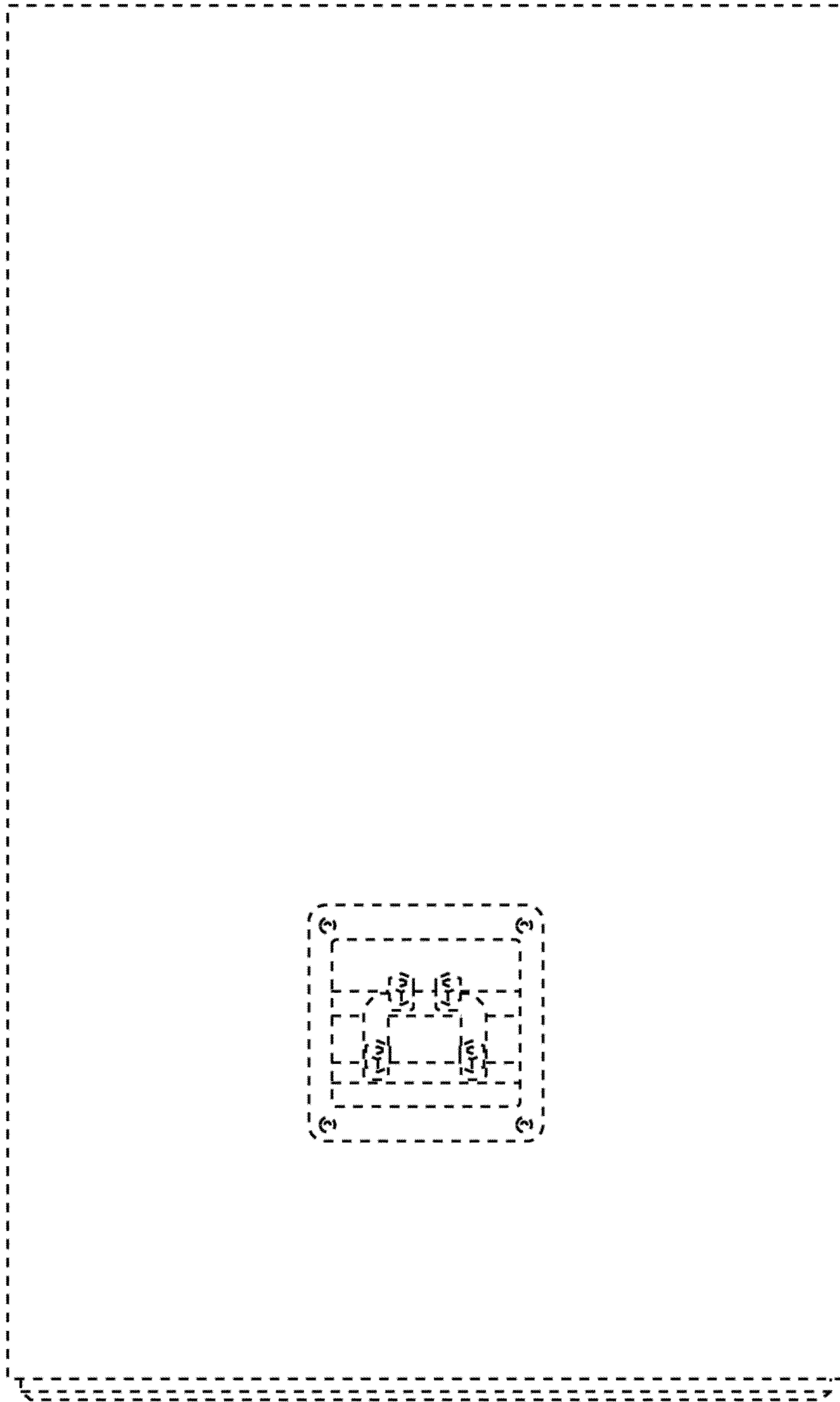


FIG. 3

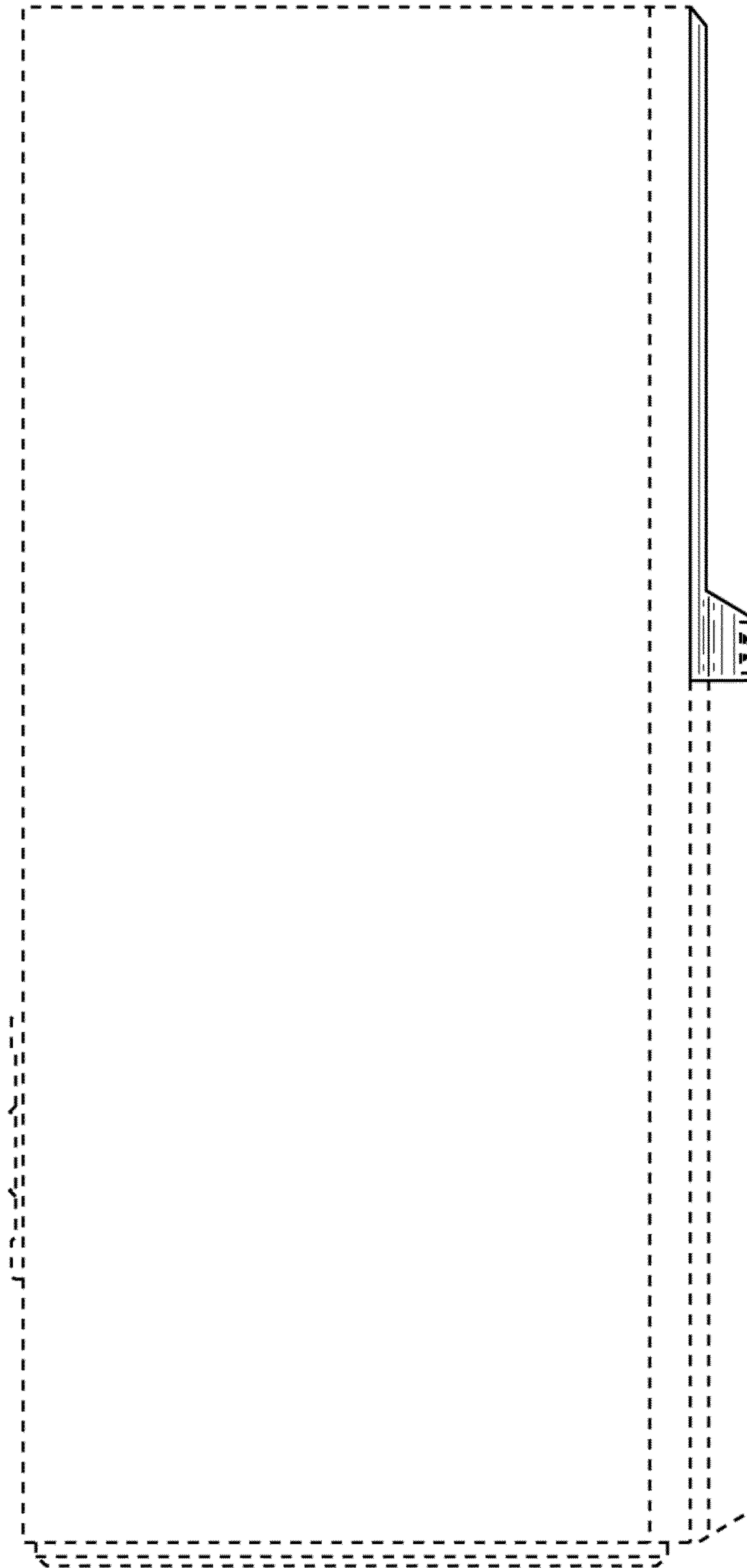


FIG. 4

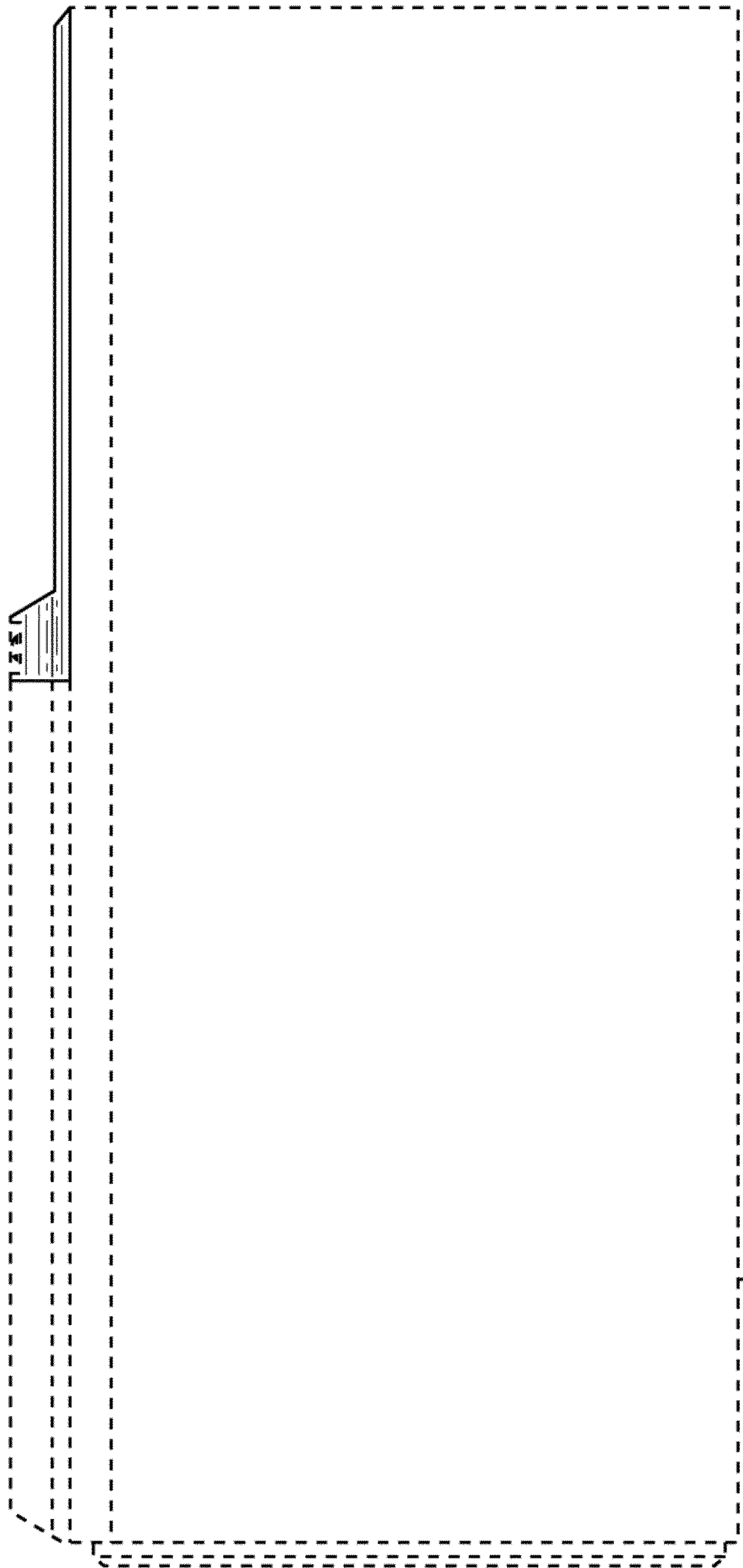


FIG. 5

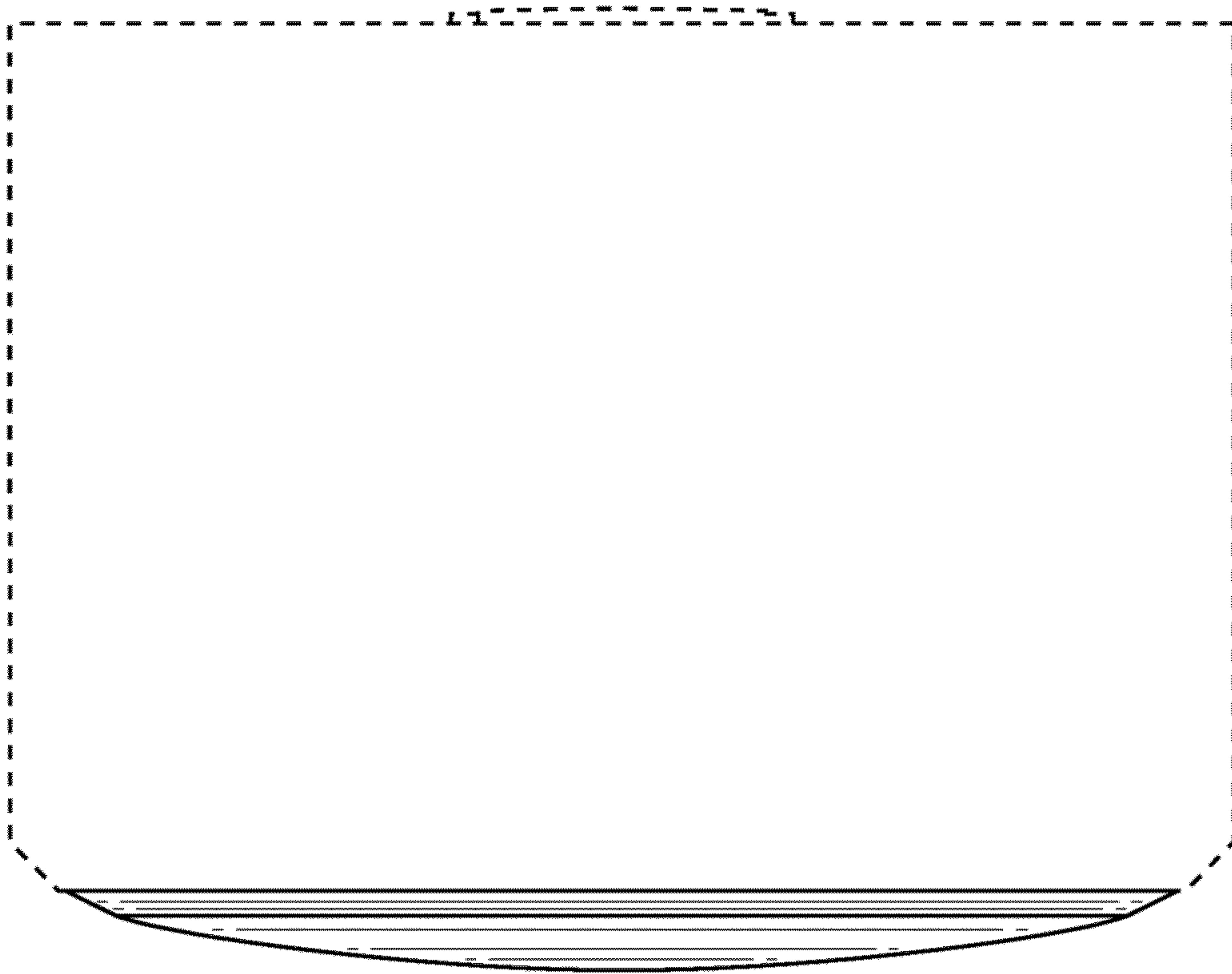


FIG. 6

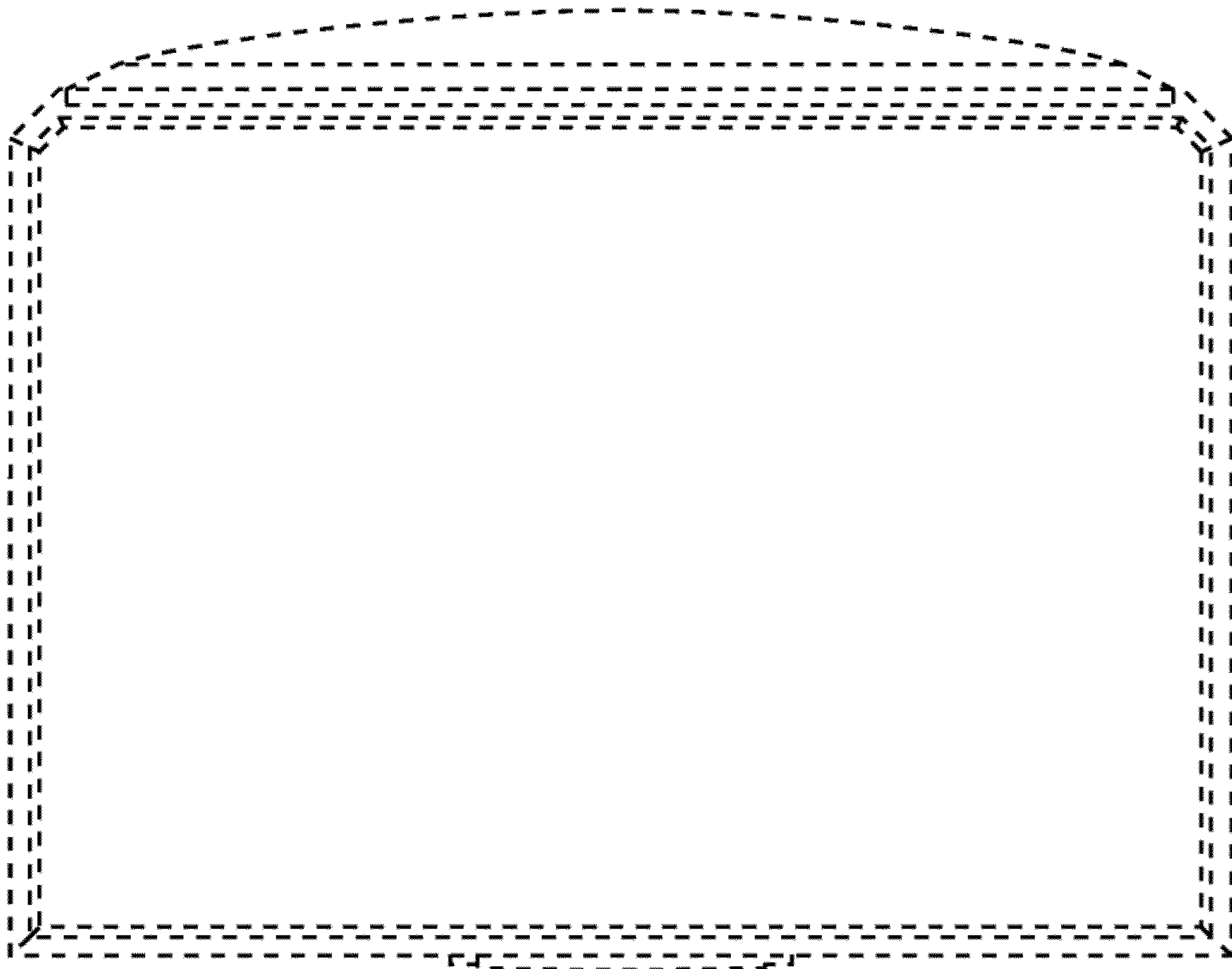


FIG. 7