



US00D976868S

(12) **United States Design Patent**
Lu

(10) **Patent No.:** **US D976,868 S**
(45) **Date of Patent:** **** Jan. 31, 2023**

- (54) **LOUDSPEAKER**
- (71) Applicant: **Harman International Industries, Incorporated**, Northridge, CA (US)
- (72) Inventor: **Tao Lu**, Shenzhen (CN)
- (73) Assignee: **Harman International Industries, Incorporated**, Northridge, CA (US)
- (**) Term: **15 Years**
- (21) Appl. No.: **29/712,098**
- (22) Filed: **Nov. 5, 2019**
- (51) **LOC (14) Cl.** **14-01**
- (52) **U.S. Cl.**
USPC **D14/221**; D14/204; D14/214
- (58) **Field of Classification Search**
USPC D14/167, 168, 170–172, 188, 194–197, D14/203.1–203.8, 204, 209.1, 210–217, D14/219, 221, 222, 224, 239, 496
CPC B60R 11/0217; G06F 1/1688; G10K 9/22; G10K 11/004; H03F 1/327; H04M 1/03; H04M 1/035; H04N 5/642; H04N 21/4852; H04R 1/02; H04R 1/06; H04R 1/021; H04R 1/025; H04R 1/026; H04R 1/028; H04R 1/105; H04R 1/323; H04R 1/403; H04R 1/2803; H04R 1/2834; H04R 5/02; H04R 7/20; H04R 9/06; H04R 9/025; H04R 2201/021; H04R 2400/00; H04R 2400/07; H04R 2499/11; H04R 2499/13; H04R 2499/15; H04S 3/00; H04S 7/30
See application file for complete search history.

- D595,693 S 7/2009 Hussey et al.
- D595,694 S 7/2009 Hussey et al.
- D609,214 S 2/2010 Hussey et al.
- D609,215 S 2/2010 Hussey et al.
- D638,400 S * 5/2011 Hawkins D14/214
- D682,255 S 5/2013 Lum et al.
- D691,591 S 10/2013 Lum et al.
- D691,592 S * 10/2013 Lum D14/204

(Continued)

OTHER PUBLICATIONS

Harman JBL EON206P Specification Sheet and Photographs, 2014.
(Continued)

Primary Examiner — Keli L Hill
(74) *Attorney, Agent, or Firm* — Plumsea Law Group, LLC

(57) **CLAIM**

The ornamental design for a loudspeaker, as shown and described.

DESCRIPTION

FIG. 1 is a front perspective view of a loudspeaker showing the new design;
 FIG. 2 is a front elevational view thereof;
 FIG. 3 is a rear elevational view thereof;
 FIG. 4 is a side elevational view thereof;
 FIG. 5 is an opposite side elevational view thereof;
 FIG. 6 is a top view thereof;
 FIG. 7 is a bottom view thereof;
 FIG. 8 is a partial cross-sectional view thereof, taken along line 8-8 of FIG. 6; and,
 FIG. 9 is a partial cross-sectional view thereof, taken along line 9-9 of FIG. 6.

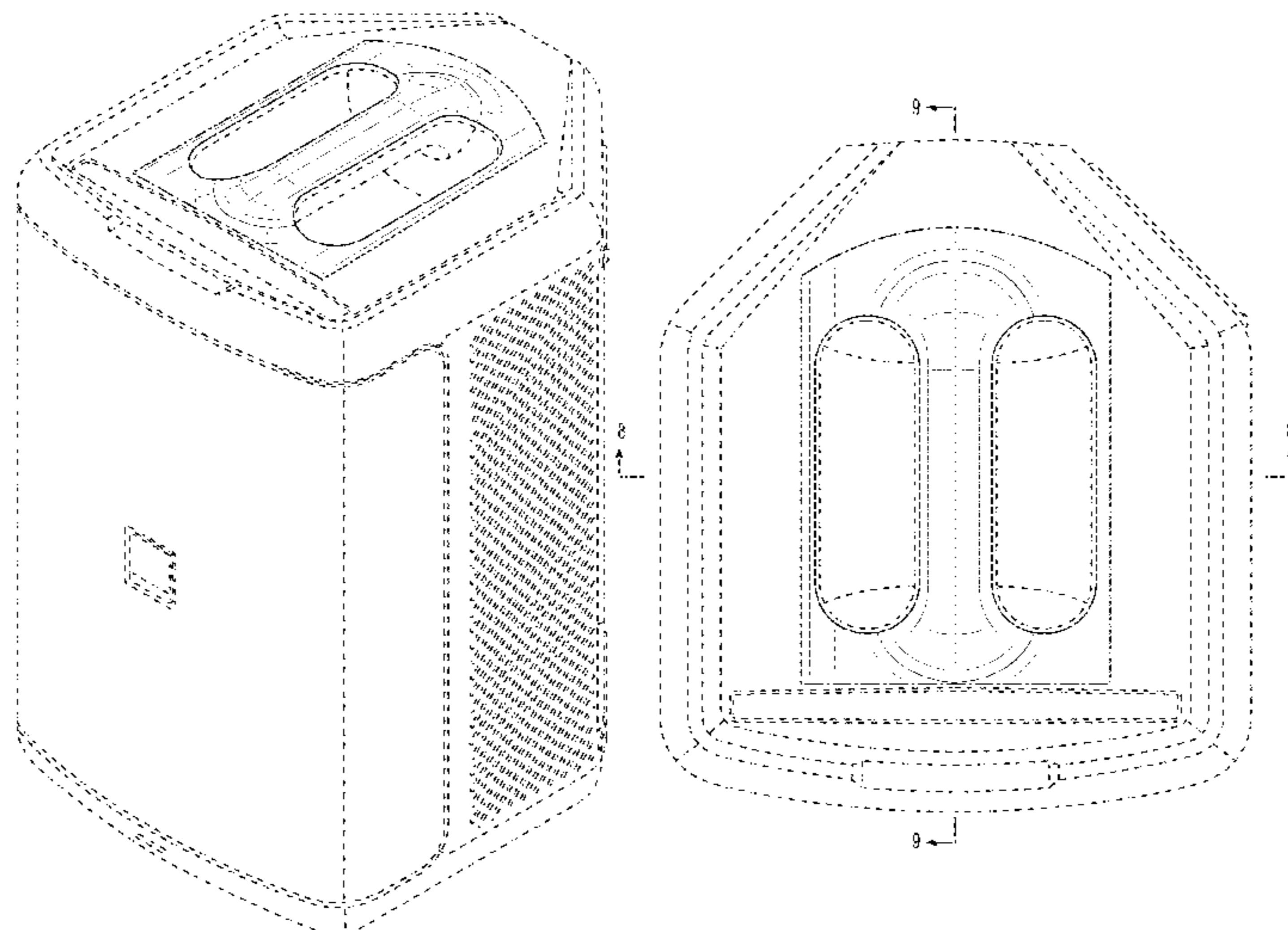
The evenly spaced broken lines in the figures illustrate portions of the design that form no part of the claimed design. The dash-dot broken lines in the figures represent the boundaries of the claimed design and form no part of the claimed design.

1 Claim, 9 Drawing Sheets

(56) **References Cited**

U.S. PATENT DOCUMENTS

- D303,620 S * 9/1989 Russell D8/313
- D379,629 S 6/1997 Watson et al.
- D393,860 S 4/1998 Watso et al.
- D547,749 S * 7/2007 Meyer D14/214
- D591,724 S * 5/2009 Davies D14/214



(56)

References Cited

U.S. PATENT DOCUMENTS

D693,334 S	11/2013	Lum et al.	
D724,569 S	3/2015	Sprinkle	
D733,680 S	7/2015	Nugent	
D750,311 S *	2/2016	Popovic	D26/118
D764,444 S *	8/2016	Sulzer	D14/221
D788,067 S	5/2017	Nugent et al.	
D797,078 S	9/2017	Nugent et al.	
D827,608 S	9/2018	Nugent et al.	
D832,236 S	10/2018	Nugent et al.	
D839,852 S	2/2019	Garrett et al.	
D839,853 S	2/2019	Garrett et al.	
D841,623 S	2/2019	Nugent et al.	
D876,394 S	2/2020	Nugent et al.	

OTHER PUBLICATIONS

Design U.S. Appl. No. 29/626,790, filed Nov. 20, 2017.
Design U.S. Appl. No. 29/663,238, filed Sep. 13, 2018.
Design U.S. Appl. No. 29/712,088, filed Nov. 5, 2019.

* cited by examiner

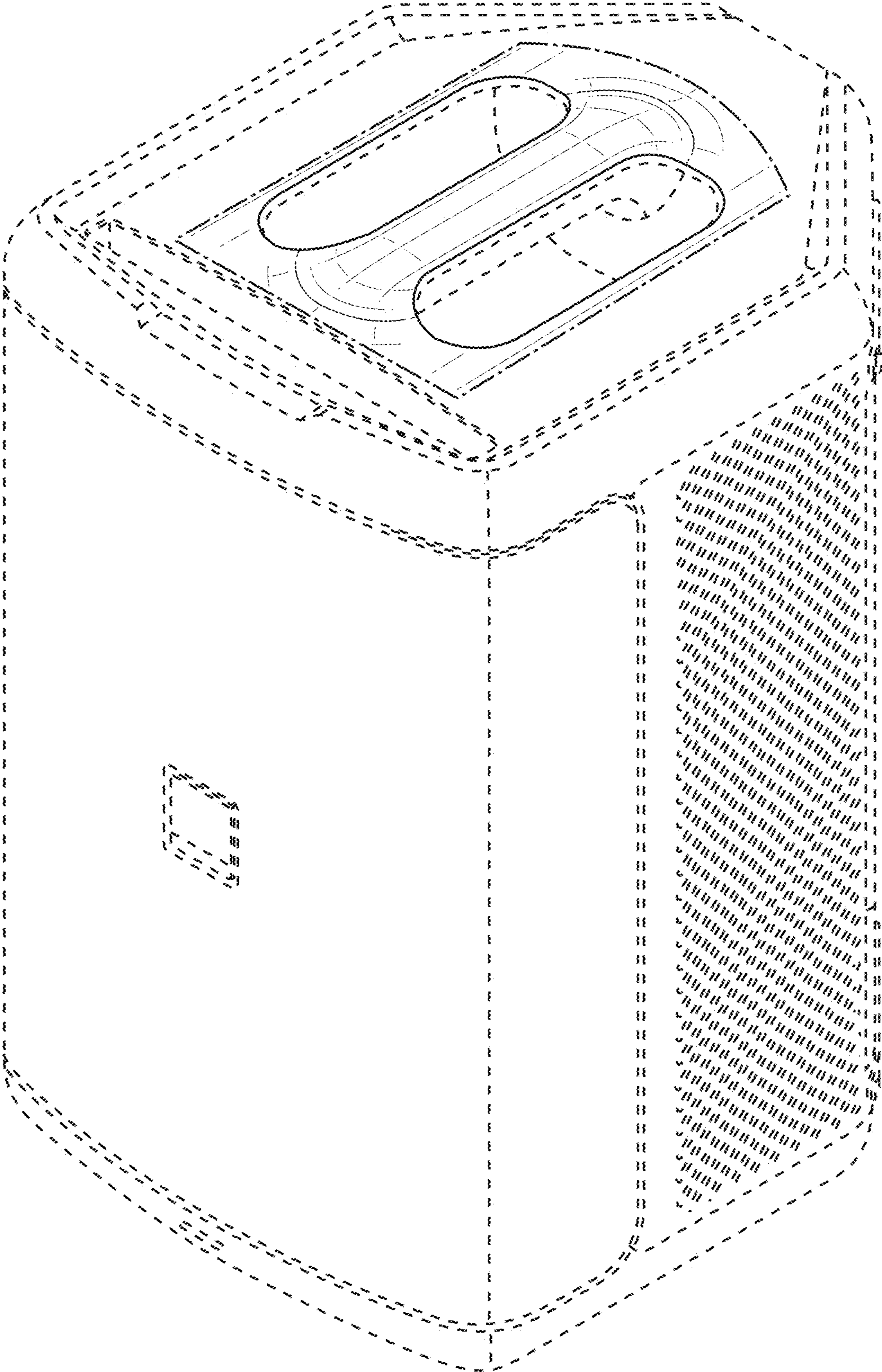


FIG. 1

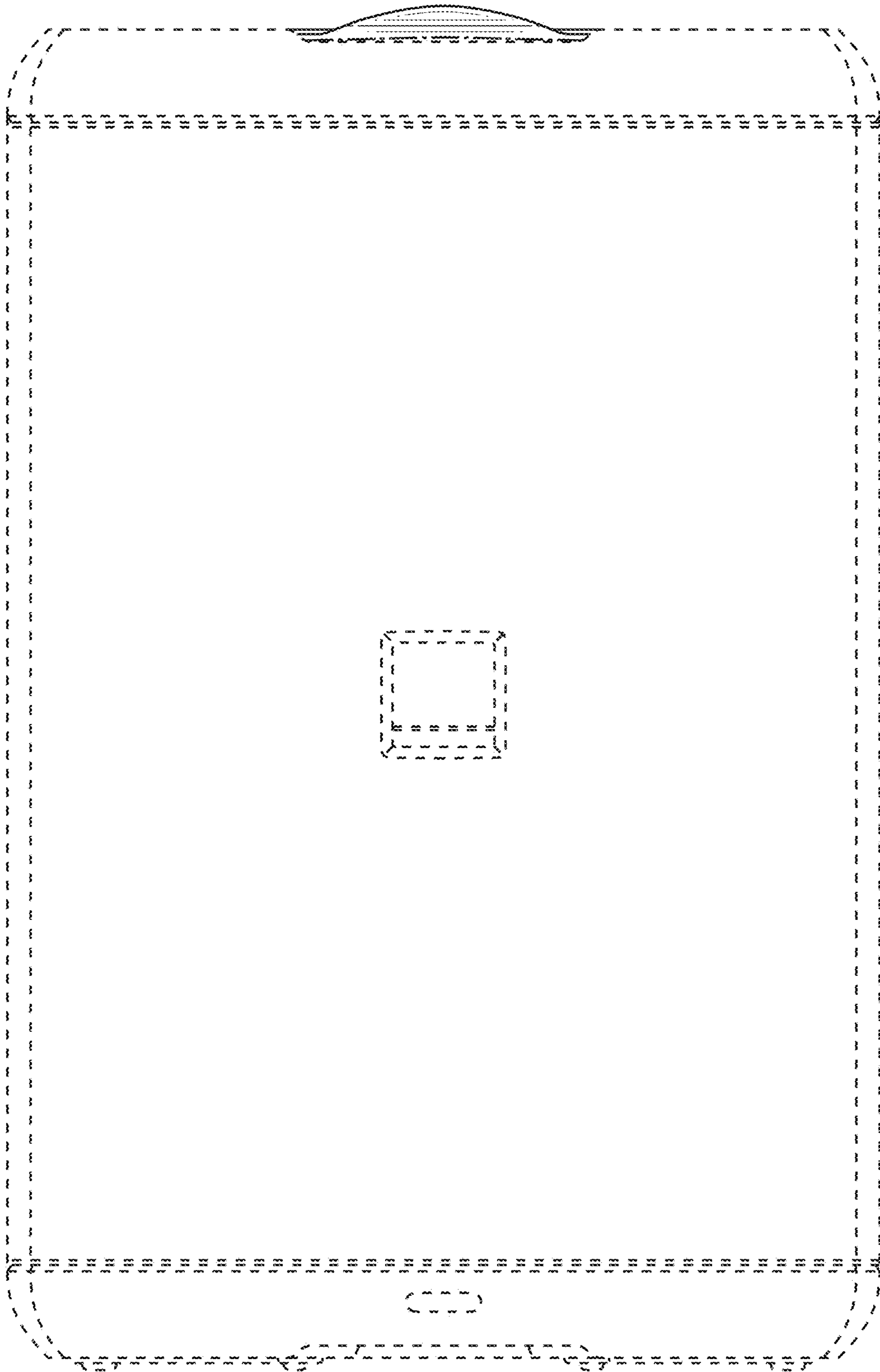


FIG. 2

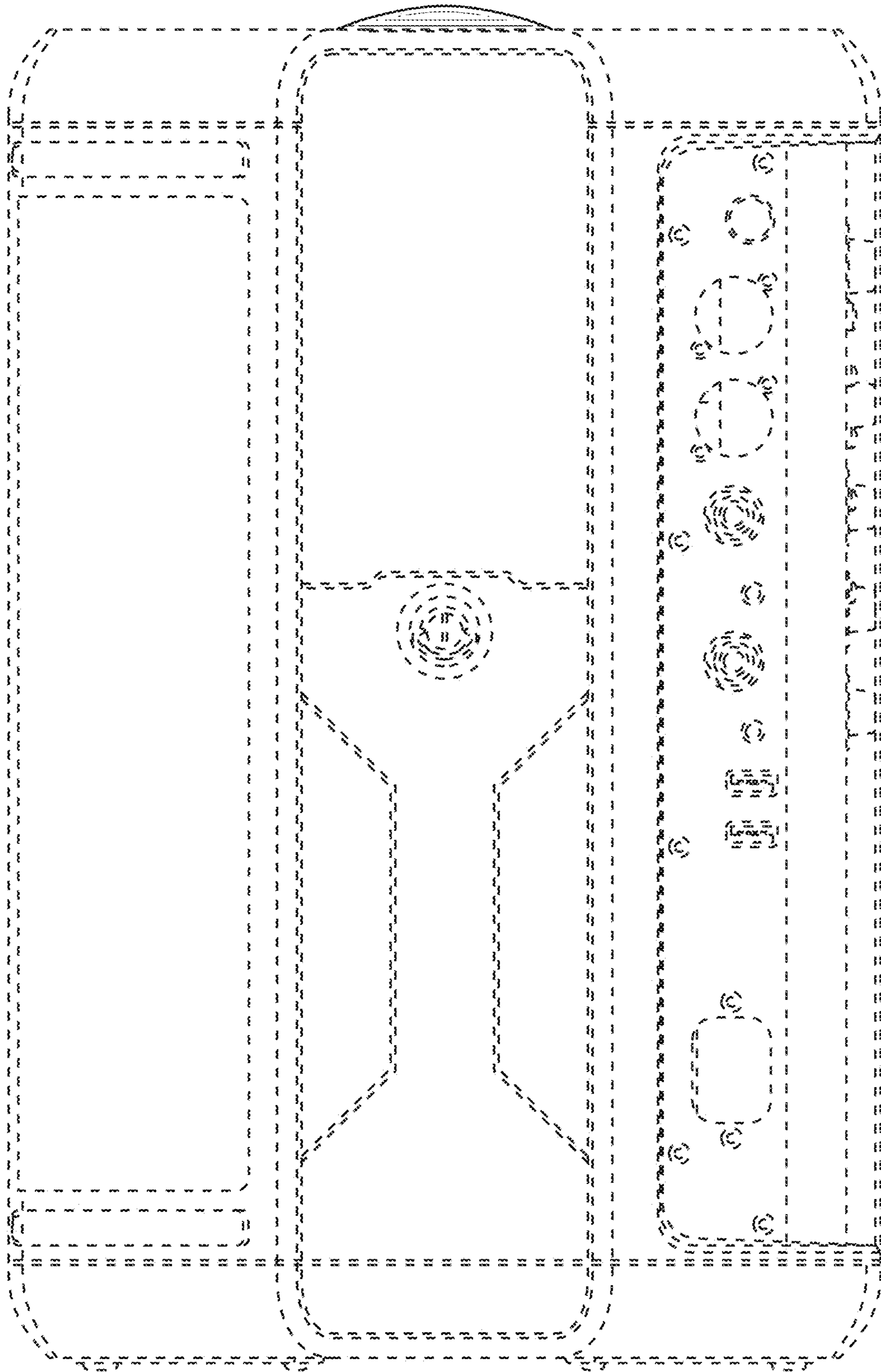


FIG. 3

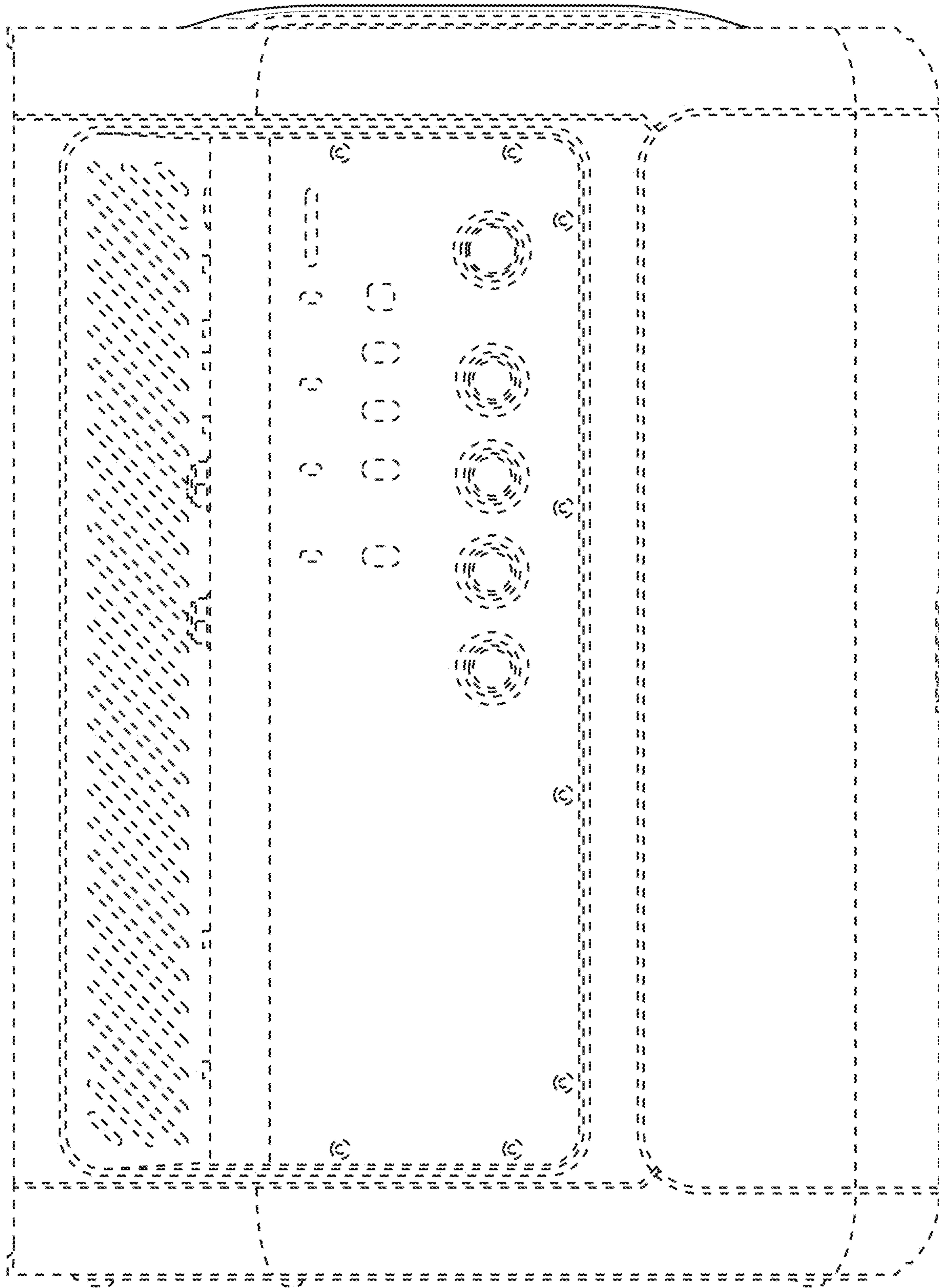


FIG. 4

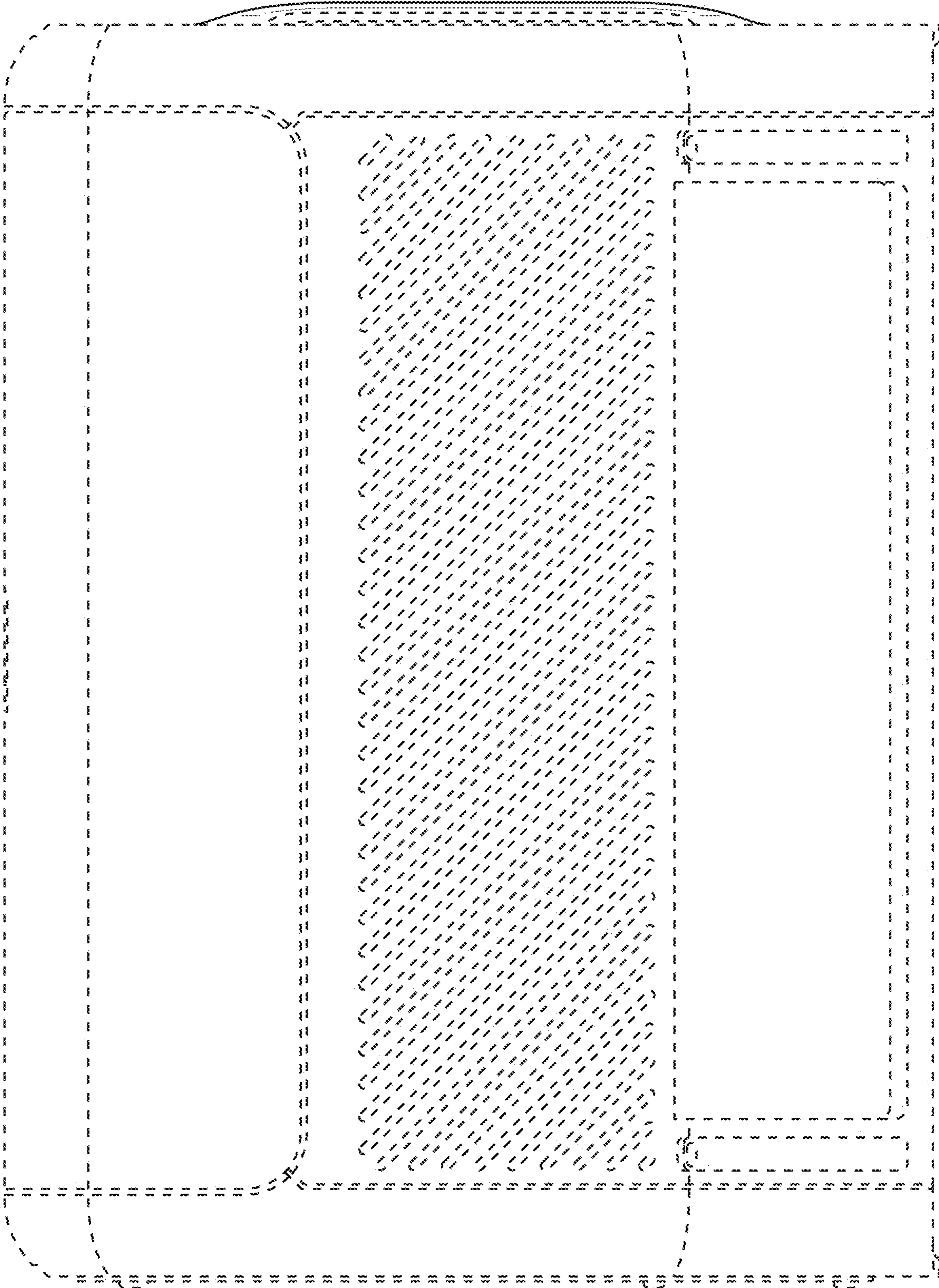


FIG. 5

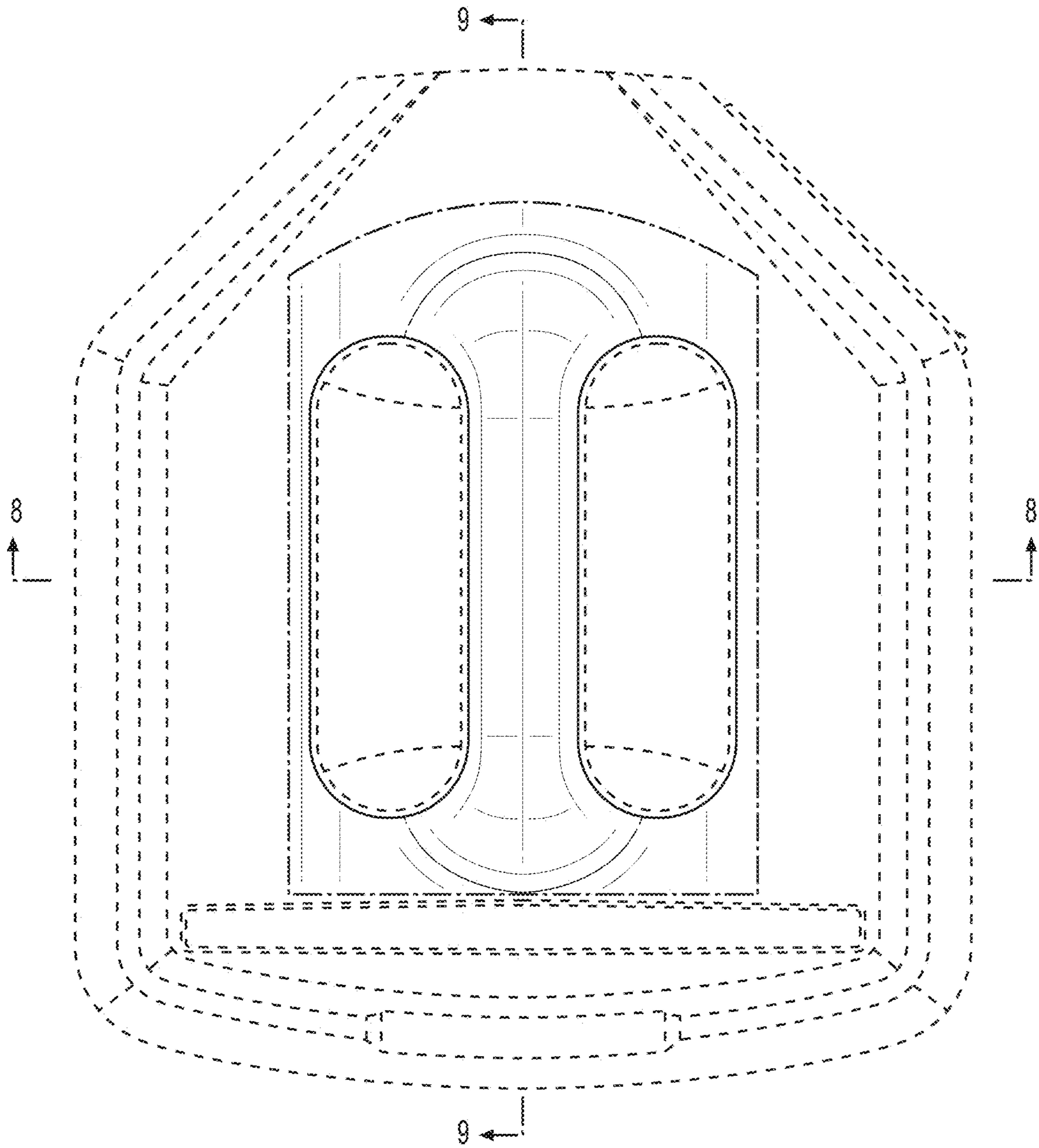


FIG. 6

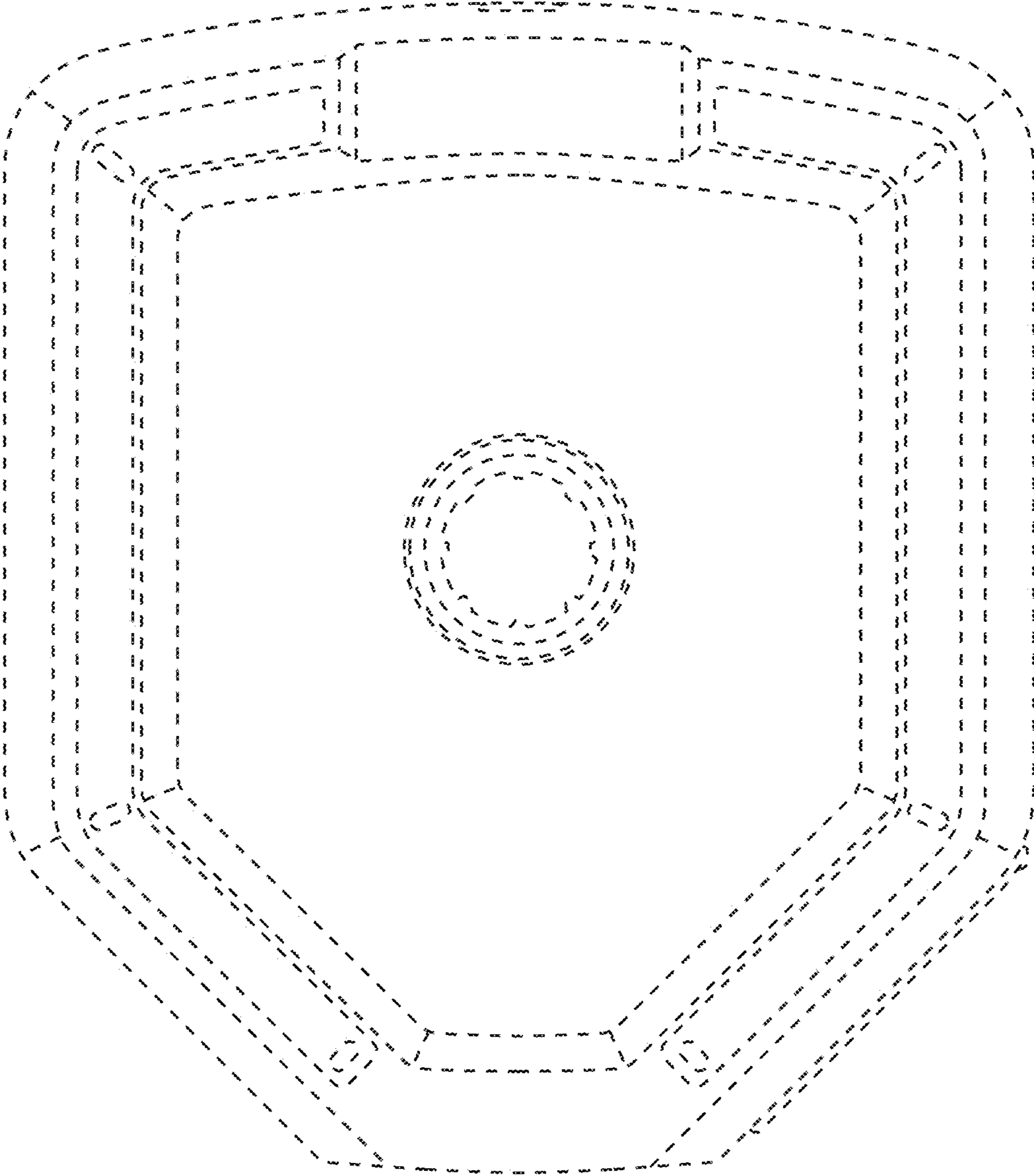


FIG. 7

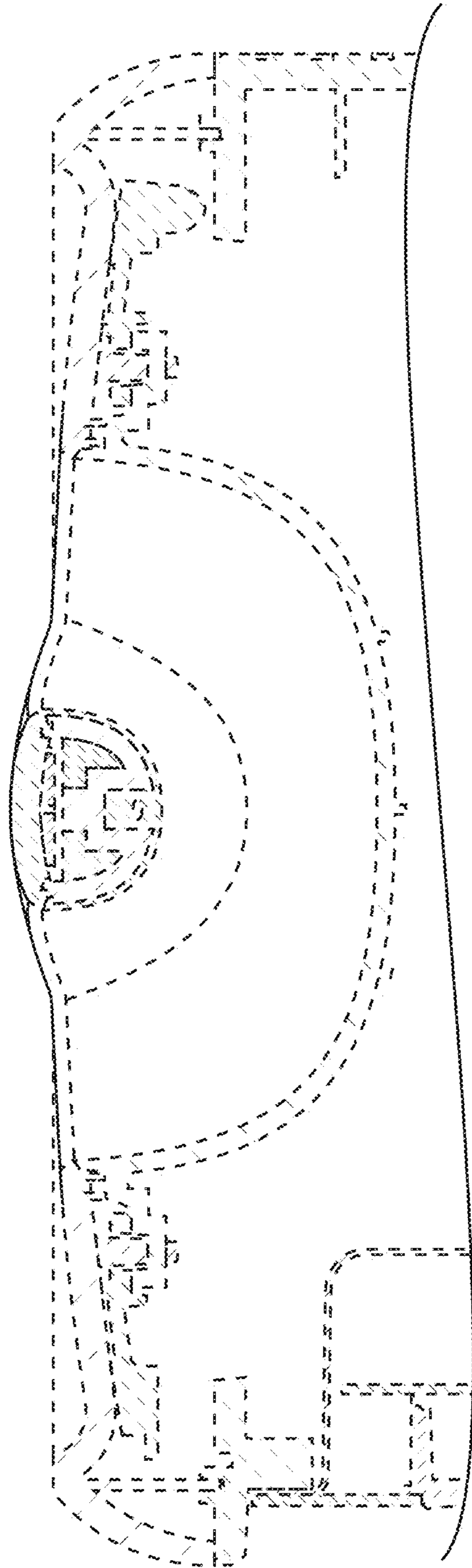


FIG. 8

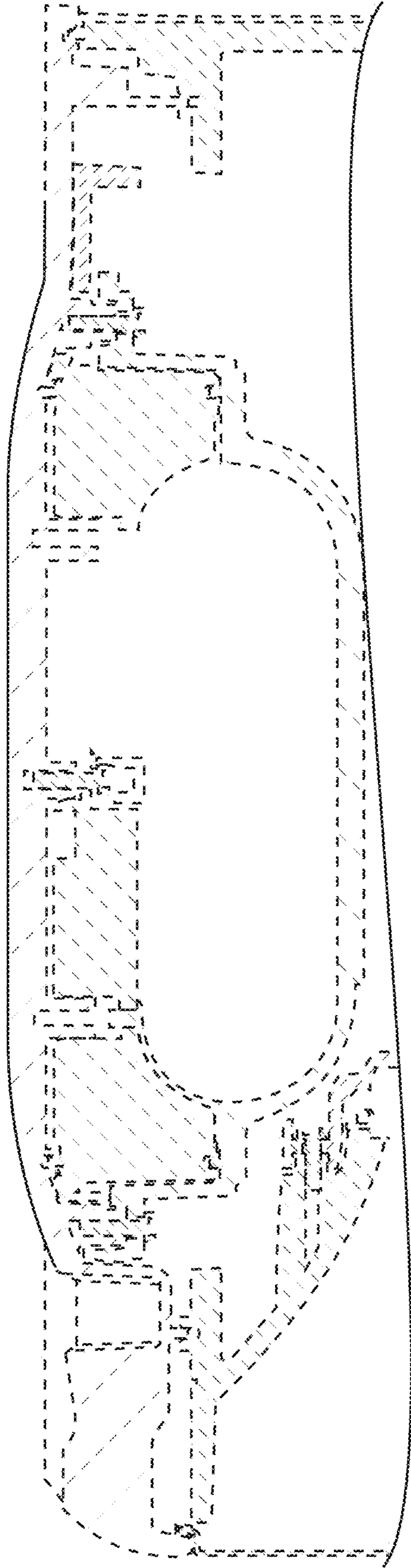


FIG. 9