



US00D976867S

(12) **United States Design Patent**
Kobayashi

(10) **Patent No.:** **US D976,867 S**
(45) **Date of Patent:** **** Jan. 31, 2023**

(54) **SPEAKER BOX FOR AN AUTOMOBILE**

(71) Applicant: **PIONEER CORPORATION**, Tokyo (JP)

(72) Inventor: **Jinta Kobayashi**, Tokyo (JP)

(73) Assignee: **PIONEER CORPORATION**, Tokyo (JP)

(**) Term: **15 Years**

(21) Appl. No.: **29/720,526**

(22) Filed: **Jan. 14, 2020**

(51) **LOC (14) Cl.** **14-01**

(52) **U.S. Cl.**
USPC **D14/219; D14/215**

(58) **Field of Classification Search**
USPC D14/167, 168, 170–172, 188, 194–197,
D14/203.1–203.8, 204, 209.1, 210–217,
D14/219, 221, 222, 224, 239, 496
CPC B60R 11/0217; G06F 1/1688; G10K 9/22;
G10K 11/004; H03F 1/327; H04M 1/03;
H04M 1/035; H04N 5/642; H04N
21/4852; H04R 1/02; H04R 1/06; H04R
1/021; H04R 1/025; H04R 1/026; H04R
1/028; H04R 1/105; H04R 1/323; H04R
1/403; H04R 1/2803; H04R 1/2834;
H04R 5/02; H04R 7/20; H04R 9/06;
H04R 9/025; H04R 2201/021; H04R
2400/00; H04R 2400/07; H04R 2499/11;
H04R 2499/13; H04R 2499/15; H04S
3/00; H04S 7/30

See application file for complete search history.

(56) **References Cited**

U.S. PATENT DOCUMENTS

D289,282 S * 4/1987 Ohtsuji D14/219
D289,894 S * 5/1987 Ohtsuji D14/219
D295,740 S * 5/1988 Takahara D14/210

D342,522 S * 12/1993 Kurachi D14/215
D449,036 S * 10/2001 Weikel D14/215
D467,906 S * 12/2002 Sadatsuki D14/219
D508,043 S * 8/2005 Silverstein D14/219
D525,236 S * 7/2006 Hibi D14/221
D531,617 S * 11/2006 Rozier D14/215
D579,916 S * 11/2008 Ichikawa D14/216
D593,542 S * 6/2009 Kurihara D14/221
D691,115 S * 10/2013 Silvera D14/215
D692,848 S * 11/2013 Poandl D14/188
D864,910 S * 10/2019 Peace, Jr. D14/215
D875,717 S * 2/2020 Horiuchi D14/221

(Continued)

FOREIGN PATENT DOCUMENTS

JP 1063633 3/2000
JP 1076197 6/2000
JP 1380924 2/2010

(Continued)

Primary Examiner — Keli L Hill

(74) *Attorney, Agent, or Firm* — Faegre Drinker Biddle & Reath LLP

(57) **CLAIM**

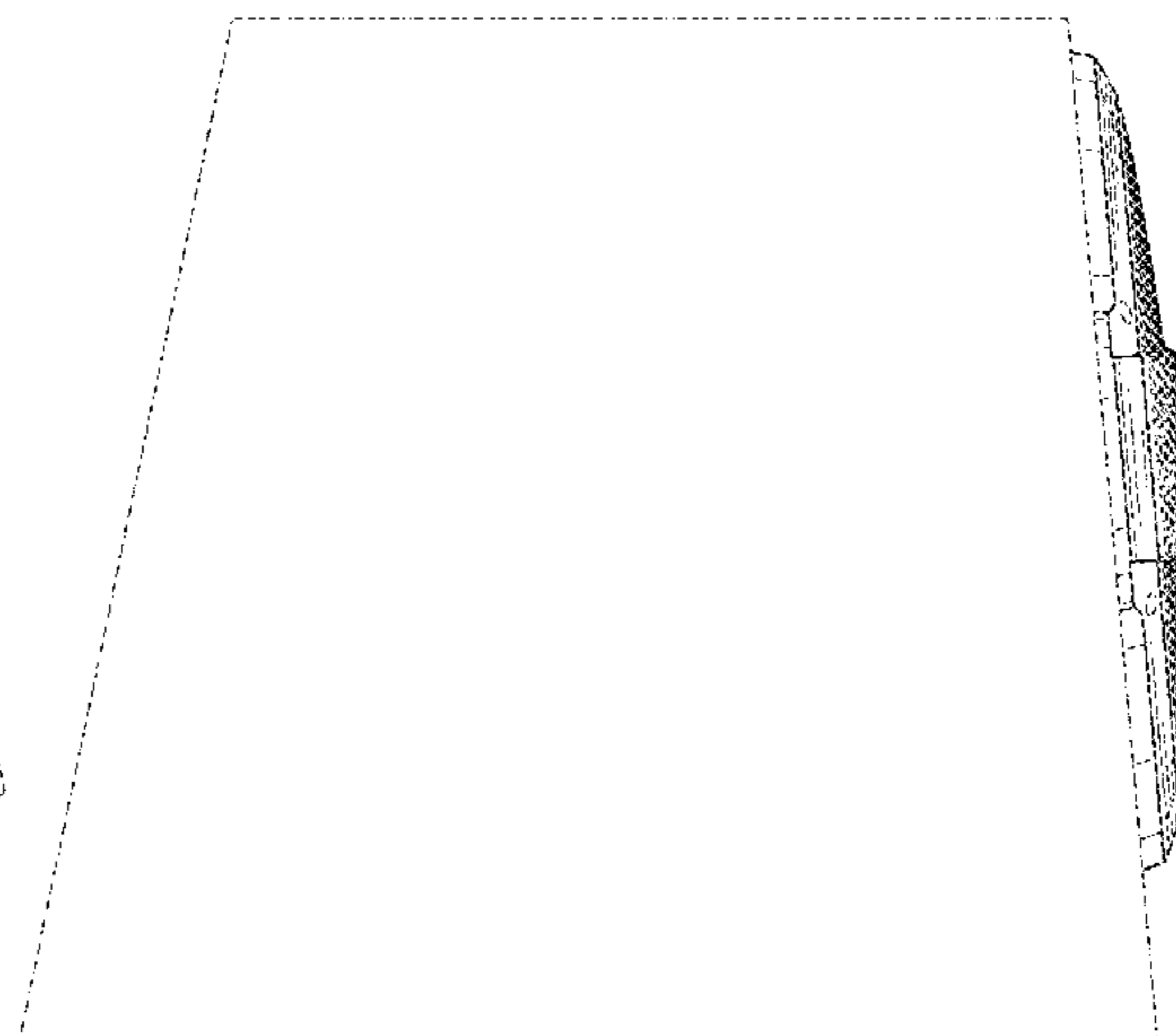
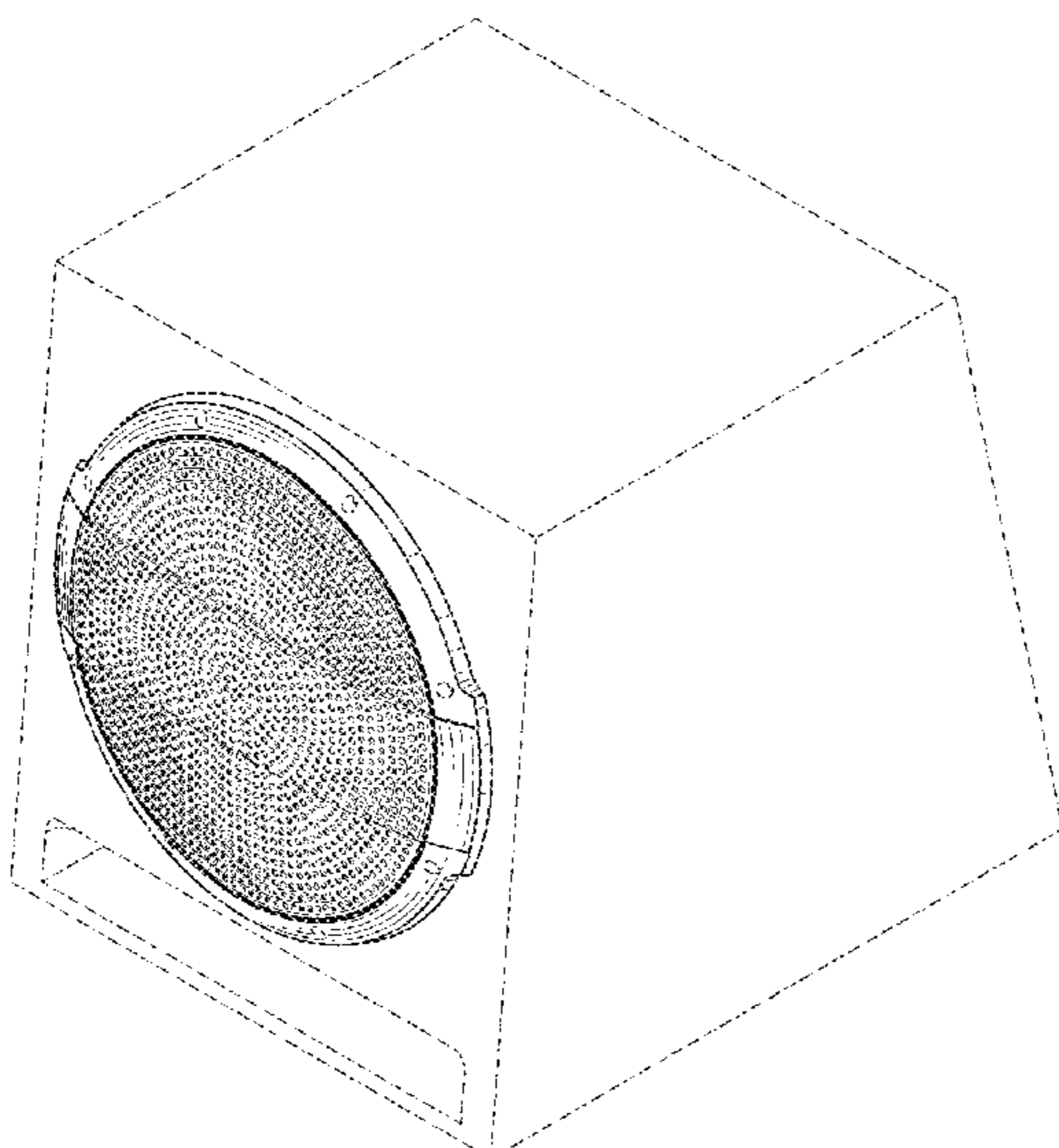
The ornamental design for the speaker box for an automobile, as shown and described.

DESCRIPTION

FIG. 1 is a perspective view of a speaker box for an automobile showing my new design;
FIG. 2 is a front view thereof;
FIG. 3 is a top view thereof;
FIG. 4 is a bottom view thereof;
FIG. 5 is a right side view thereof; and,
FIG. 6 is a left side view thereof.

The broken lines immediately adjacent the shaded areas represent the bounds of the claimed design while all other broken lines are included for the purpose of illustrating portions of the speaker box for an automobile; the broken lines form no part of the claimed design.

1 Claim, 6 Drawing Sheets



(56)

References Cited

U.S. PATENT DOCUMENTS

D897,312 S * 9/2020 Matsubayashi D14/219

FOREIGN PATENT DOCUMENTS

JP	1460834	2/2013
JP	1492011	3/2014

* cited by examiner

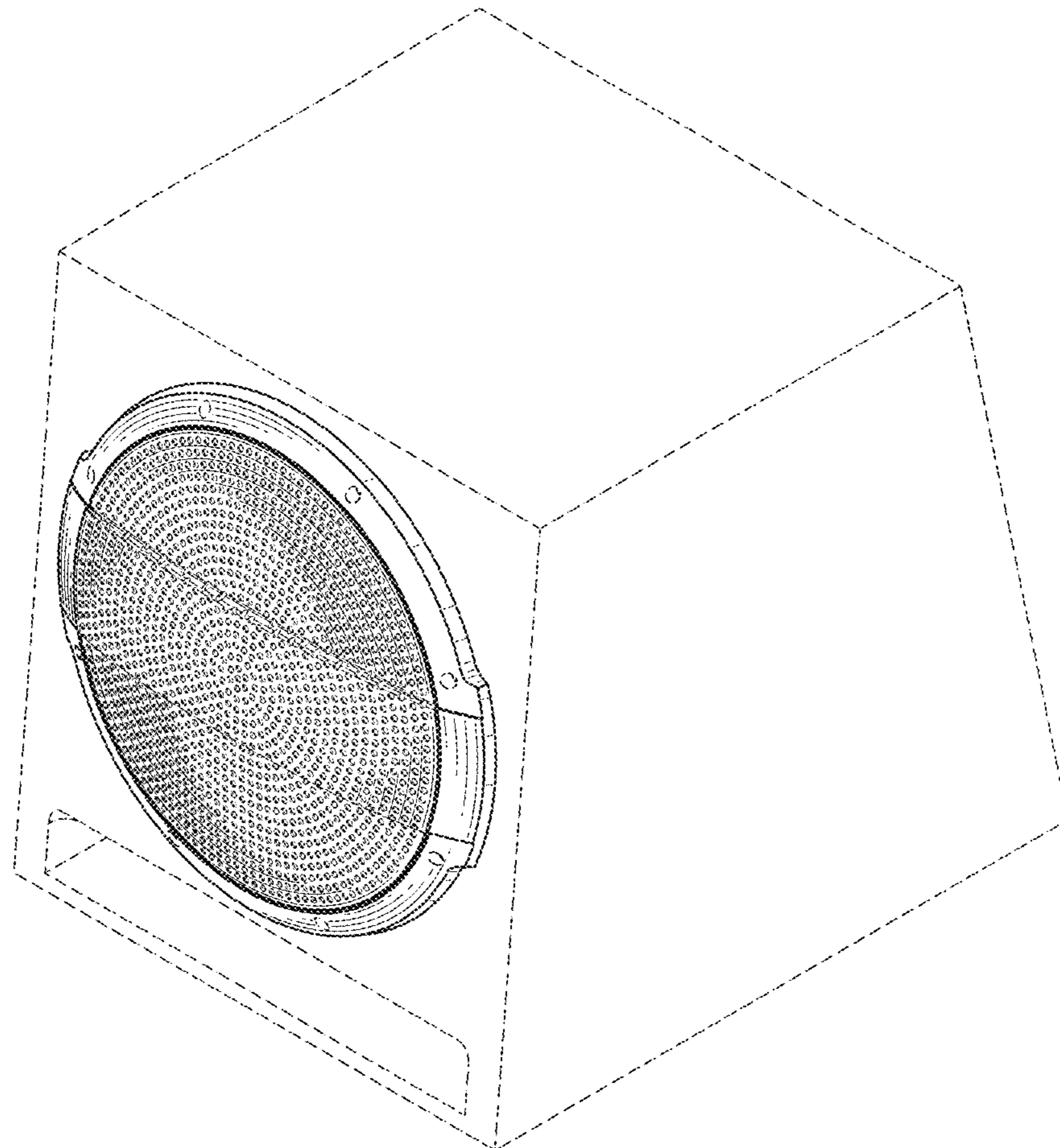


FIG. 1

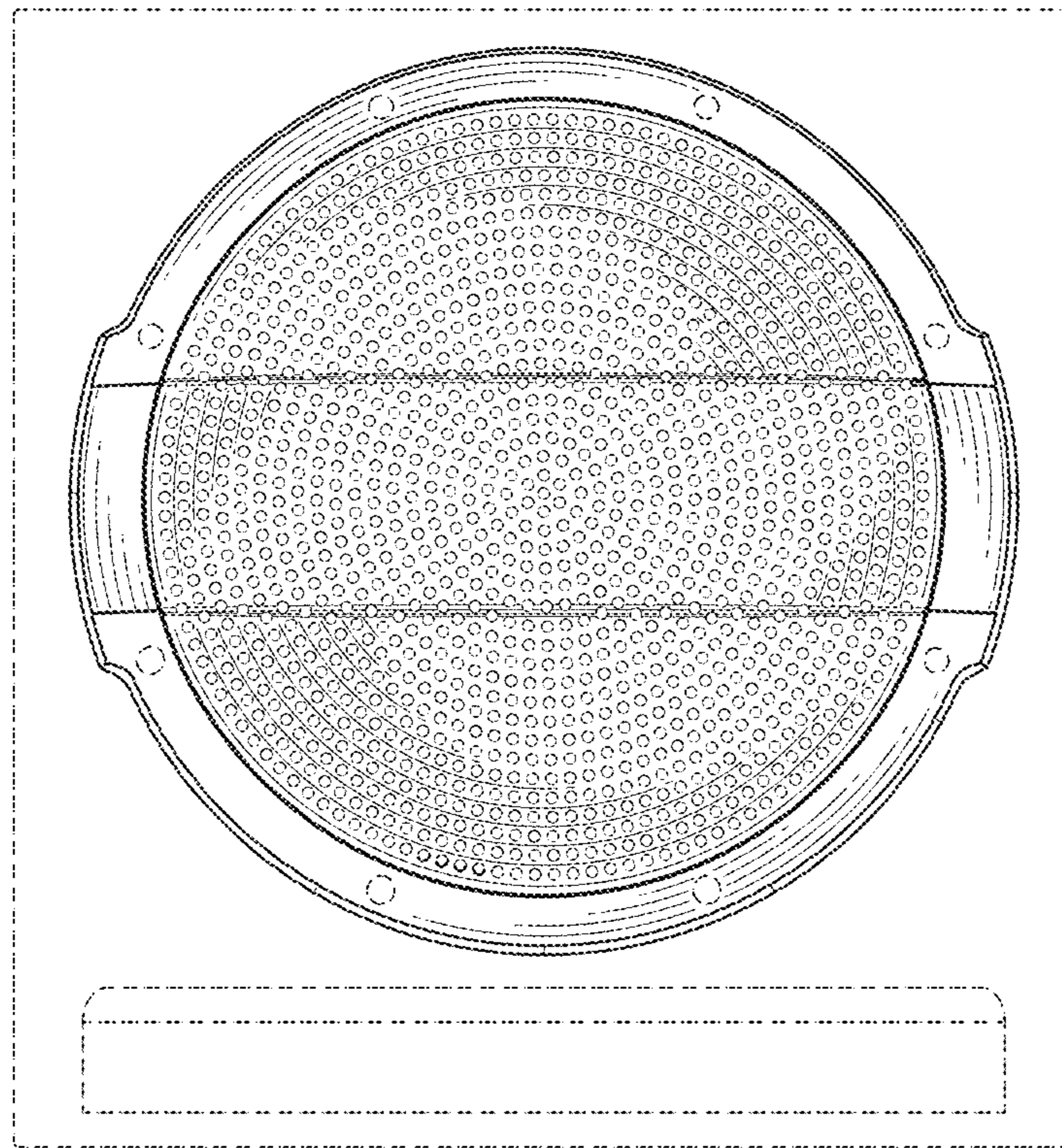


FIG. 2

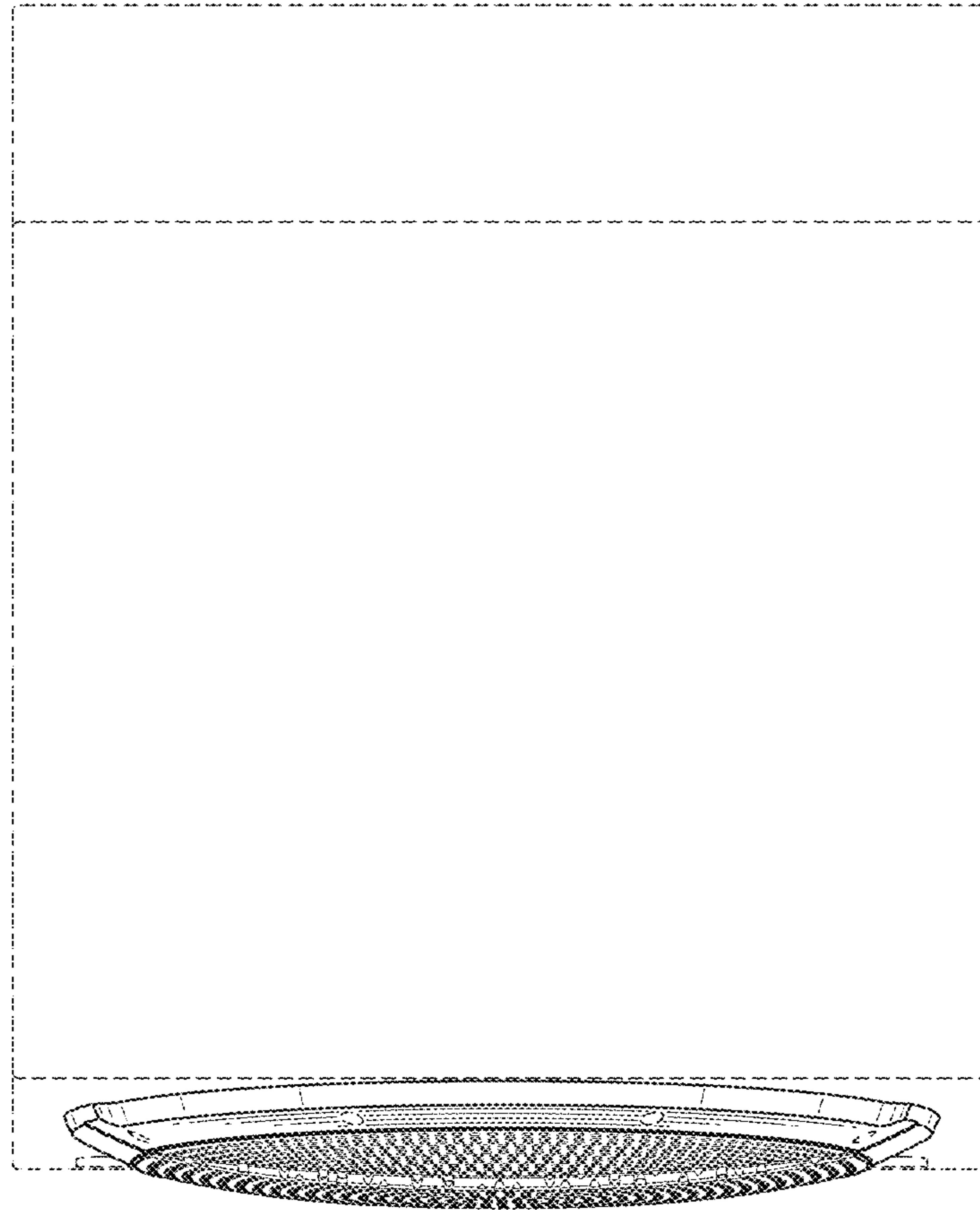


FIG. 3



FIG. 4

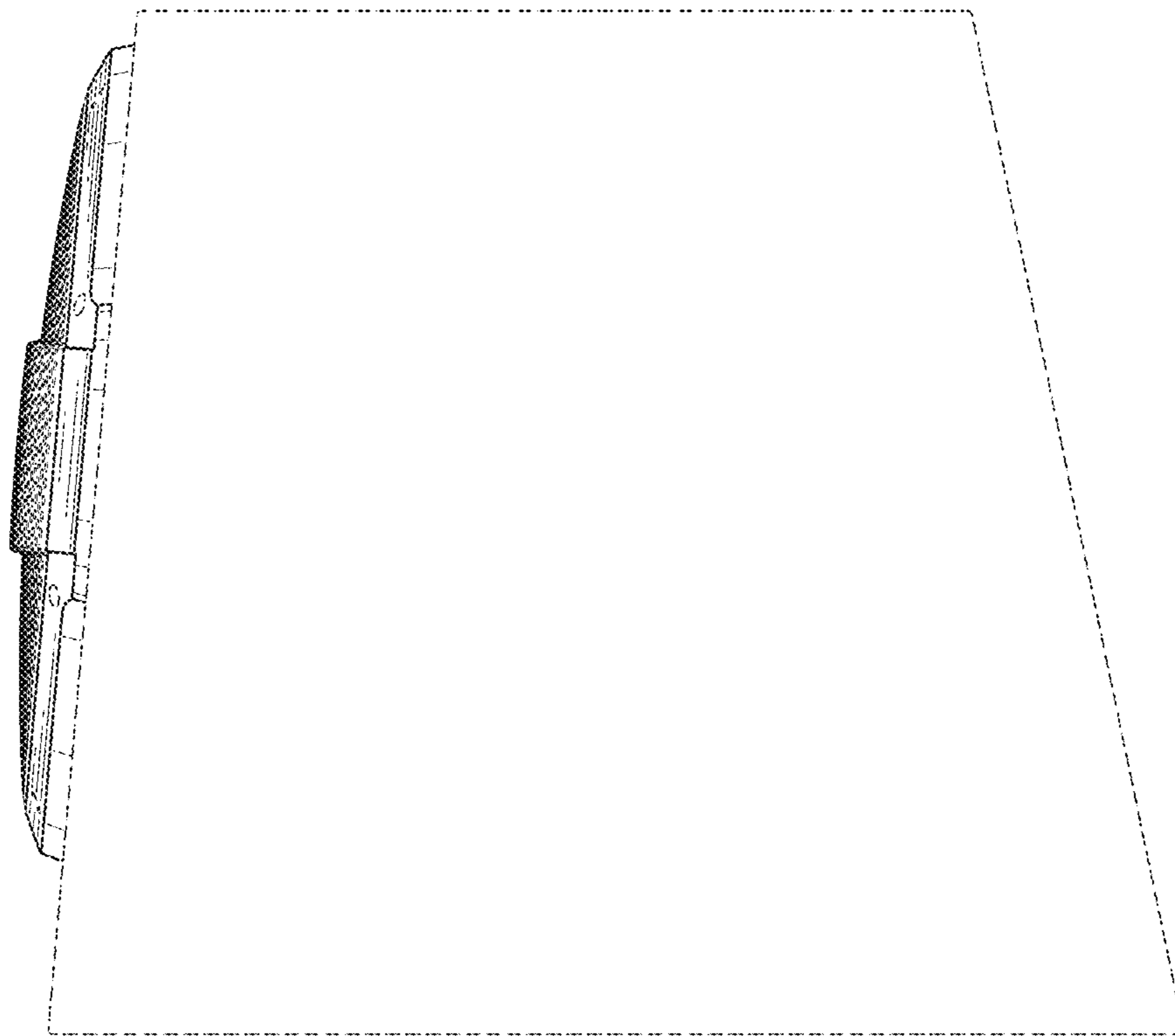


FIG. 5

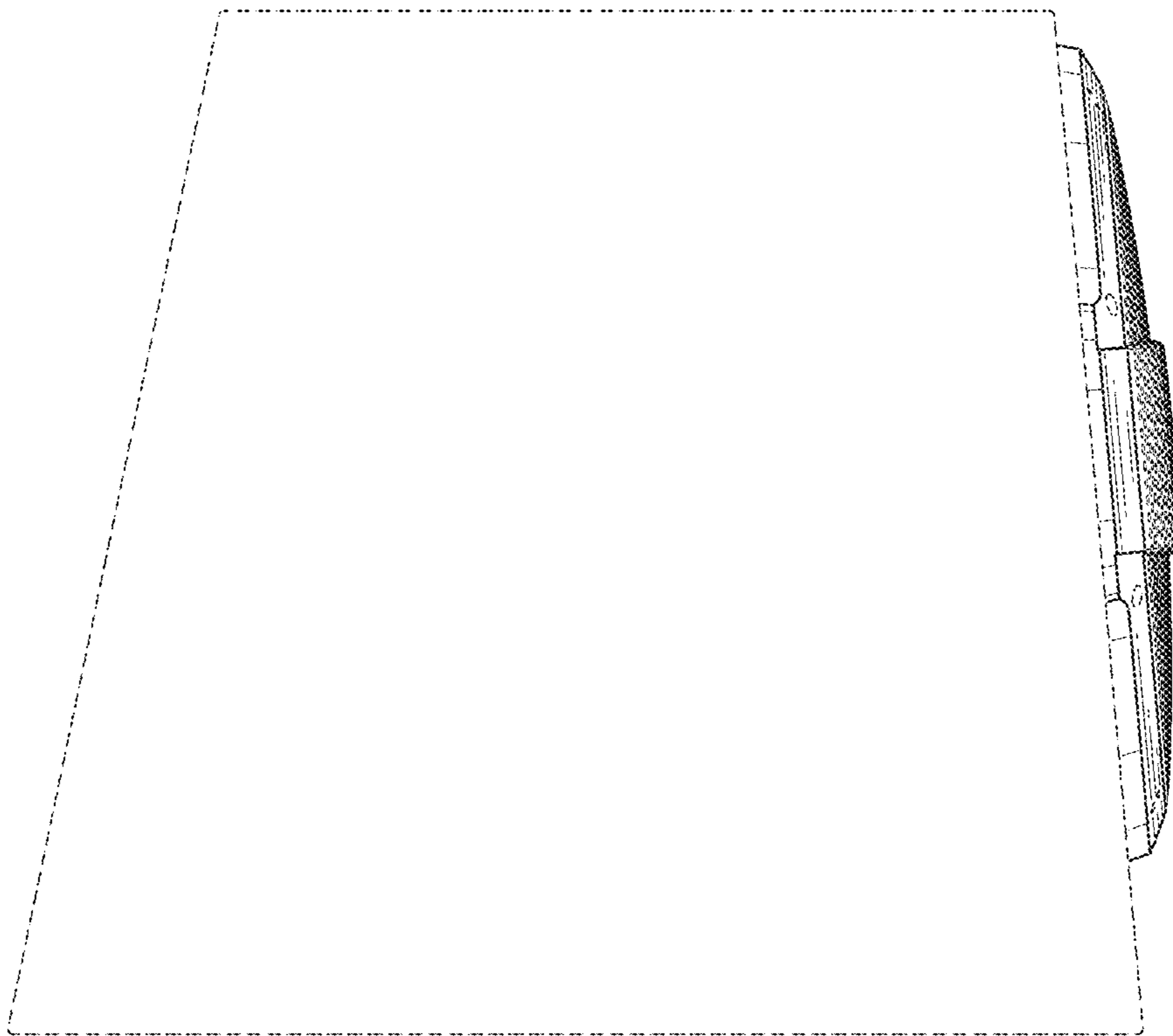


FIG. 6