



US00D976866S

(12) **United States Design Patent** (10) **Patent No.:** **US D976,866 S**  
**Lo et al.** (45) **Date of Patent:** **\*\* Jan. 31, 2023**

(54) **LOUDSPEAKER**

FOREIGN PATENT DOCUMENTS

(71) Applicant: **Harman International Industries, Incorporated**, Northridge, CA (US)

EM 003791219-0001 4/2017  
EM 003791219-0002 4/2017

(Continued)

(72) Inventors: **Jong-Ron Lo**, Shenzhen (CN); **Dario Distefano**, Shenzhen (CN)

OTHER PUBLICATIONS

(73) Assignee: **Harman International Industries, Incorporated**, Northridge, CA (US)

[JBL FLIP 6 Portable Wireless Bluetooth Speaker IP67 ], available in Amazon.com, date first available Apr. 5, 2022 [online], [site visited Jun. 2, 2022], Available from the internet URL: [https://www.amazon.com/Bluetooth-Waterproof-Authentic-Boomp-Protective/dp/B09X89QQ6F/ref=sr\\_1\\_2\\_sspa](https://www.amazon.com/Bluetooth-Waterproof-Authentic-Boomp-Protective/dp/B09X89QQ6F/ref=sr_1_2_sspa) (Year: 2022).\*

(\*\*) Term: **15 Years**

(Continued)

(21) Appl. No.: **29/800,631**

(22) Filed: **Jul. 22, 2021**

*Primary Examiner* — Khawaja Anwar  
*Assistant Examiner* — Megan Tiana Rakos  
(74) *Attorney, Agent, or Firm* — Plumsea Law Group, LLC

**Related U.S. Application Data**

(63) Continuation-in-part of application No. 29/776,237, filed on Mar. 29, 2021.

(51) **LOC (14) Cl.** ..... **14-01**

(52) **U.S. Cl.**  
USPC ..... **D14/216**

(58) **Field of Classification Search**  
USPC ..... D9/420, 454, 500, 504; D7/629;  
D14/204, 209.1, 214, 216, 358, 496;  
D26/104  
CPC ..... B60R 11/0217; G06F 1/1688; G10K 9/22;  
H04R 1/2803

See application file for complete search history.

(56) **References Cited**

**U.S. PATENT DOCUMENTS**

D718,279 S 11/2014 Yoon et al.  
D722,595 S \* 2/2015 Mackiewicz ..... D14/216  
D726,684 S 4/2015 Schmiedbauer  
D726,686 S 4/2015 Yoon  
D748,074 S 1/2016 Schmiedbauer

(Continued)

(57) **CLAIM**

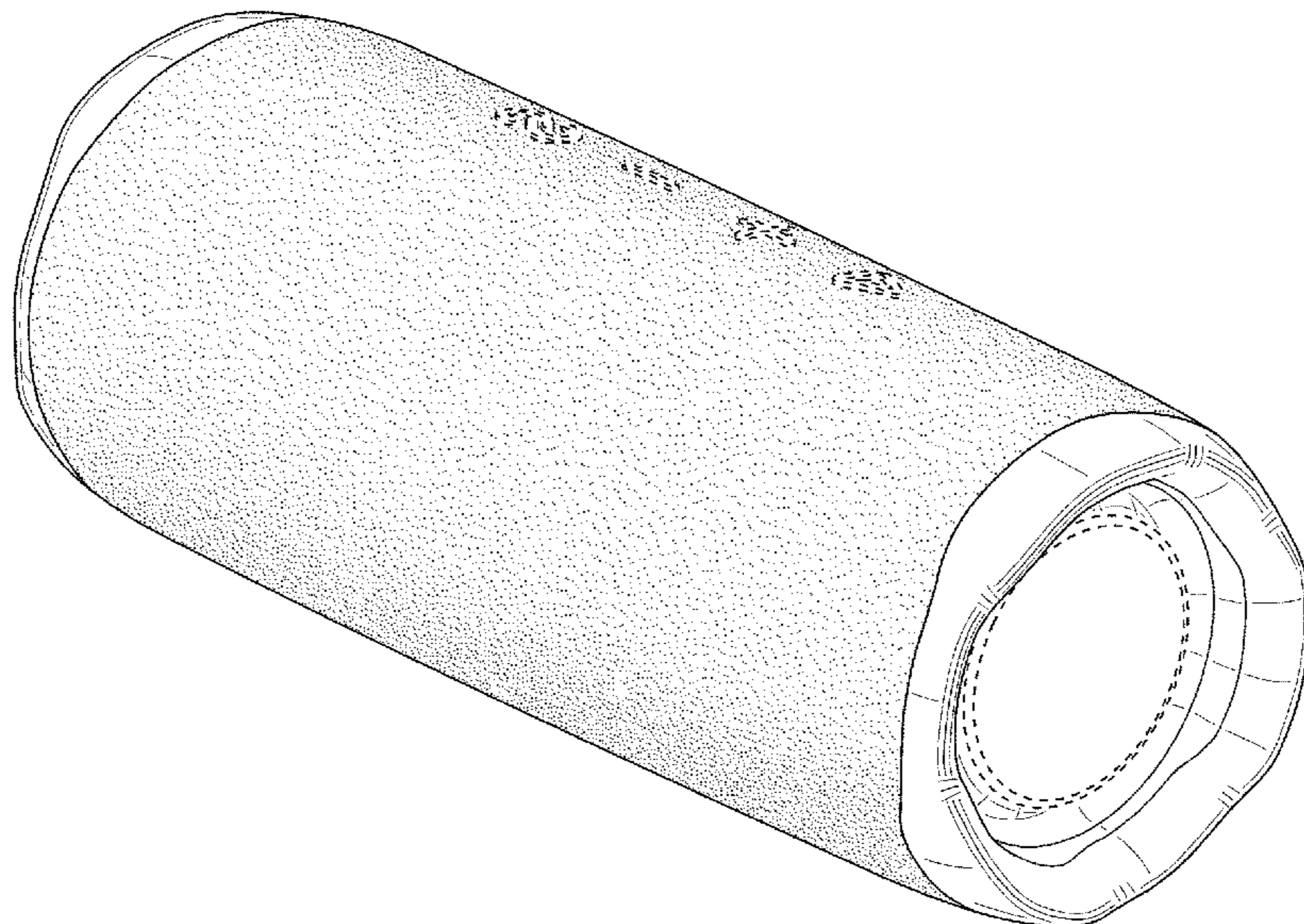
The ornamental design for a loudspeaker, as shown and described.

**DESCRIPTION**

FIG. 1 is a top front perspective view of a loudspeaker showing the new design;  
FIG. 2 is a top rear perspective view thereof;  
FIG. 3 is a front elevational view thereof;  
FIG. 4 is a rear elevational view thereof;  
FIG. 5 is a side elevational view thereof;  
FIG. 6 is an opposite side elevational view thereof;  
FIG. 7 is a top view thereof; and,  
FIG. 8 is a bottom view thereof.

The broken lines in the figures illustrate portions of the design that form no part of the claimed design. The shading on the loudspeaker is provided merely to represent contours of the design and does not connote the character of the surfaces such as any specific texture, material, gloss, translucence, transparency, surface treatment, or surface decoration.

**1 Claim, 8 Drawing Sheets**



(56)

References Cited

U.S. PATENT DOCUMENTS

D748,076 S 1/2016 Yoon  
 D750,597 S 3/2016 Fischer et al.  
 D759,632 S \* 6/2016 Fischer ..... D14/204  
 D780,153 S \* 2/2017 Lukic ..... D14/204  
 D798,268 S \* 9/2017 Fang ..... D14/216  
 D800,699 S \* 10/2017 Fischer ..... D14/216  
 D801,310 S 10/2017 Kachwalla et al.  
 D803,813 S \* 11/2017 Rouffiat ..... D14/215  
 D805,059 S 12/2017 Fischer et al.  
 D811,367 S 2/2018 Vaclavik et al.  
 D811,368 S \* 2/2018 Fischer ..... D14/216  
 D828,323 S 9/2018 Demin et al.  
 D831,002 S 10/2018 Distefano et al.  
 D832,809 S \* 11/2018 Hardi ..... D14/204  
 D835,071 S 12/2018 Channey et al.  
 D839,855 S 2/2019 Park et al.  
 D845,925 S \* 4/2019 Bellinghausen ..... D14/204  
 D848,397 S \* 5/2019 Alves ..... D14/216  
 D849,718 S \* 5/2019 Park ..... D14/216  
 D852,779 S \* 7/2019 Schmiedbauer ..... D14/216  
 D854,515 S 7/2019 Fischer et al.  
 D860,171 S 9/2019 Schmiedbauer  
 D865,705 S \* 11/2019 Distefano ..... D14/204  
 D868,022 S \* 11/2019 Distefano ..... D14/204  
 D868,033 S \* 11/2019 Luo ..... D14/216  
 D868,726 S 12/2019 Kim et al.  
 D874,426 S 2/2020 Kim  
 D884,676 S \* 5/2020 He ..... D14/216  
 D892,081 S \* 8/2020 Waterman ..... D14/216  
 D893,456 S \* 8/2020 Fischer ..... D14/216  
 D894,871 S \* 9/2020 Distefano ..... D14/216  
 D906,287 S \* 12/2020 Waterman ..... D14/216  
 D909,331 S 2/2021 Sretovic  
 D916,046 S 4/2021 Distefano

D926,721 S 9/2021 Kim  
 D936,032 S \* 11/2021 Xiong ..... D14/204  
 D938,383 S \* 12/2021 Xiong ..... D14/204  
 D943,545 S \* 2/2022 Xiong ..... D14/204  
 D944,757 S \* 3/2022 Lo ..... D14/204

FOREIGN PATENT DOCUMENTS

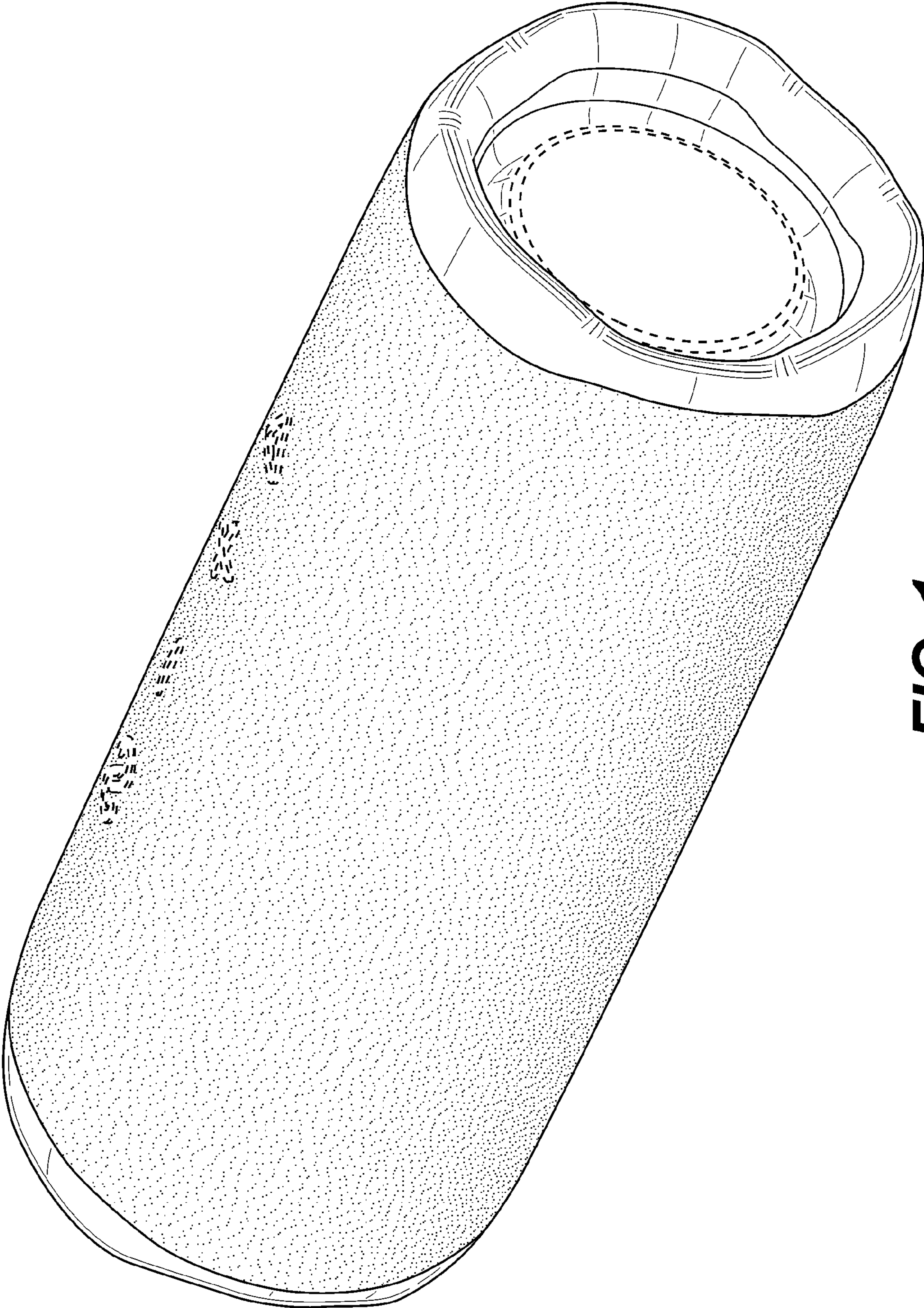
EM 003791219-0003 4/2017  
 EM 003791219-0004 4/2017  
 EM 003791219-0005 4/2017  
 EM 003791219-0006 4/2017  
 EM 003791219-0007 4/2017

OTHER PUBLICATIONS

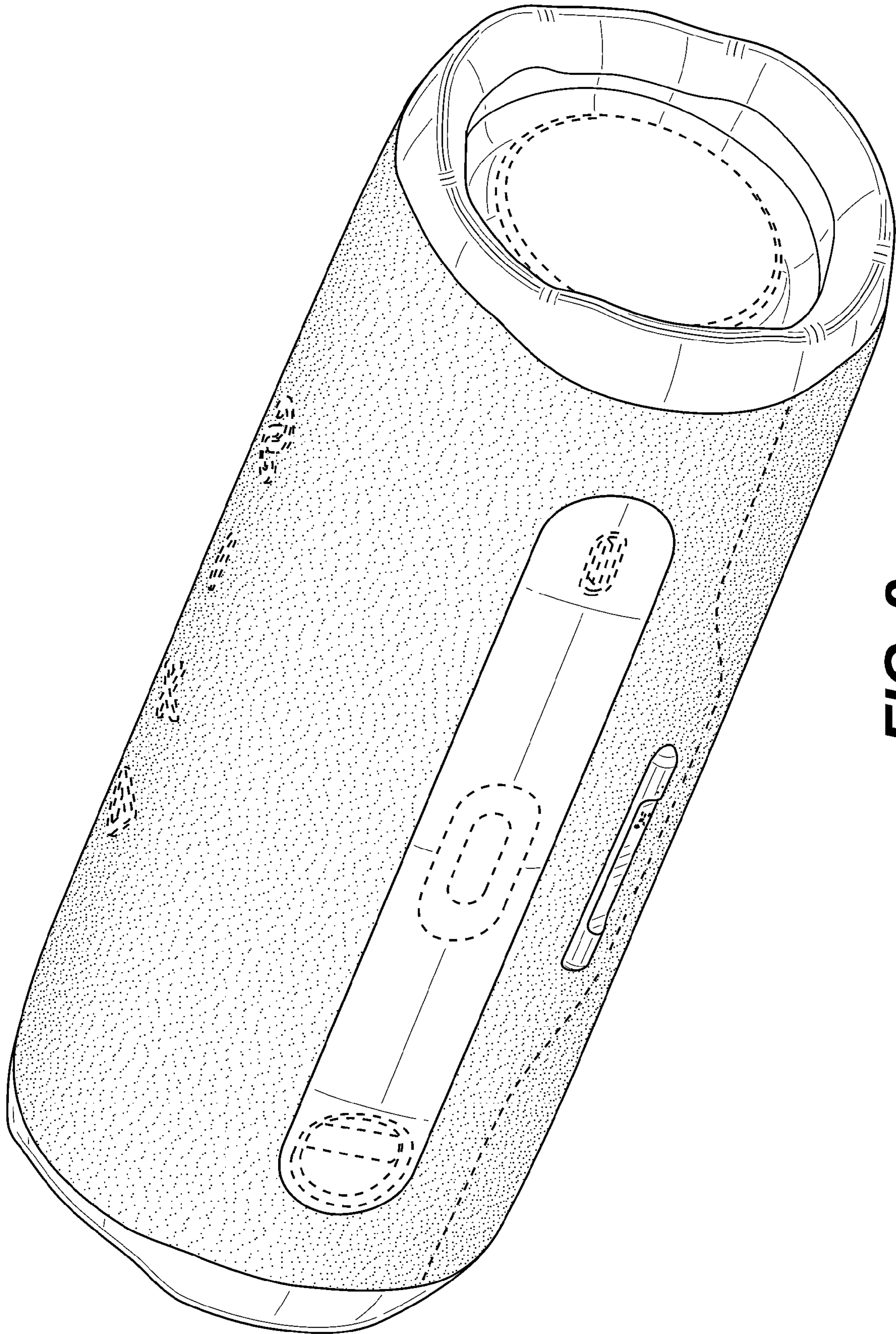
“JBL Rolls Out All-in-One Subwoofer and Portable Speaker Subsystem: JBL BassPro Go is the first to market audio system for use both inside and outside the vehicle,” Harman International Industries, Incorporated, webpage, Jan. 4, 2017, 6 pages. Retrieved Jun. 25, 2020 from Internet: <<https://news.harman.com/releases/jblR-rolls-out-all-in-one-subwoofer-and-portable-speaker-subsystem>>. Design U.S. Appl. No. 29/740,620, filed Jul. 7, 2020. Design U.S. Appl. No. 29/667,085, filed Oct. 18, 2018. Harman JBL Flip 2 Specification, 2013, 2 pages. Harman JBL Flip 4 Specification, 2017, 2 pages. JBL Flip 4 Quick Start Guide, Harman International Industries, Incorporated, 2017, 20 pages. Design U.S. Appl. No. 29/734,061, filed May 8, 2020. JBL Pulse 3 Specification, Harman International Industries, Incorporated, 2017, 2 pages. JBL XTREME Specification, Harman International Industries, Incorporated, 2015, 2 pages.

\* cited by examiner

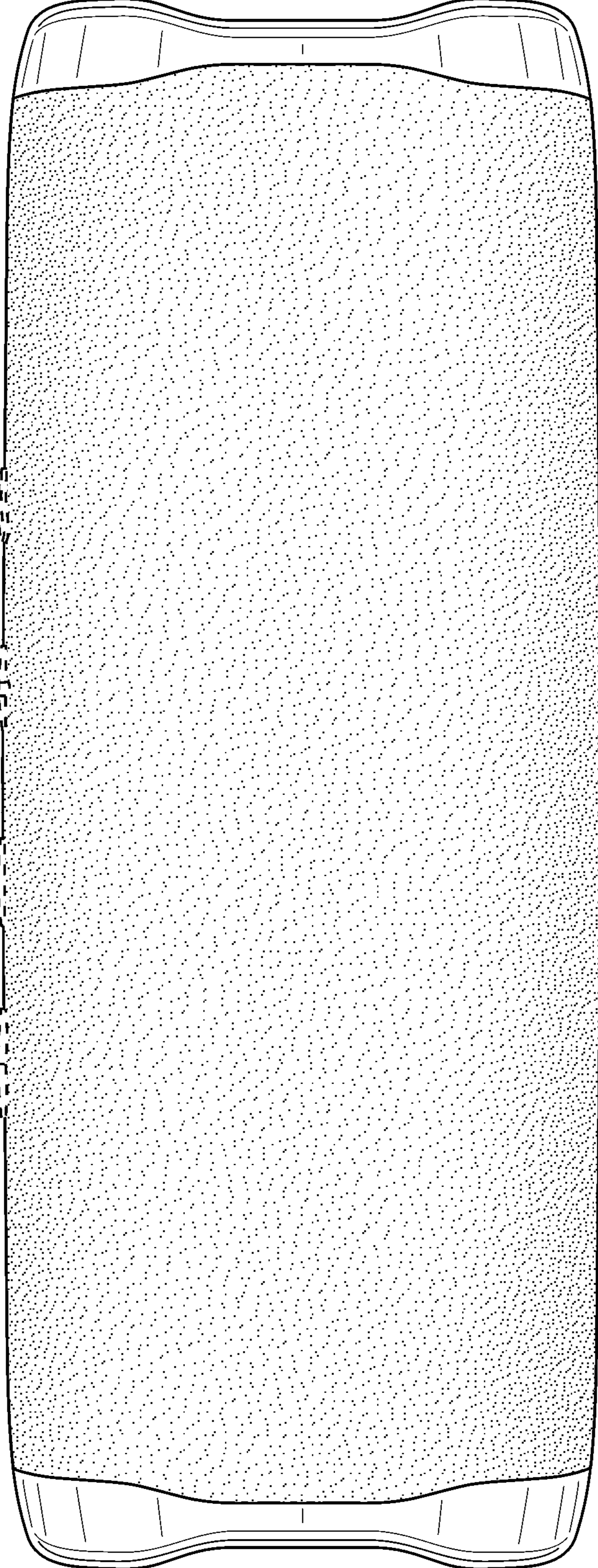




**FIG. 1**

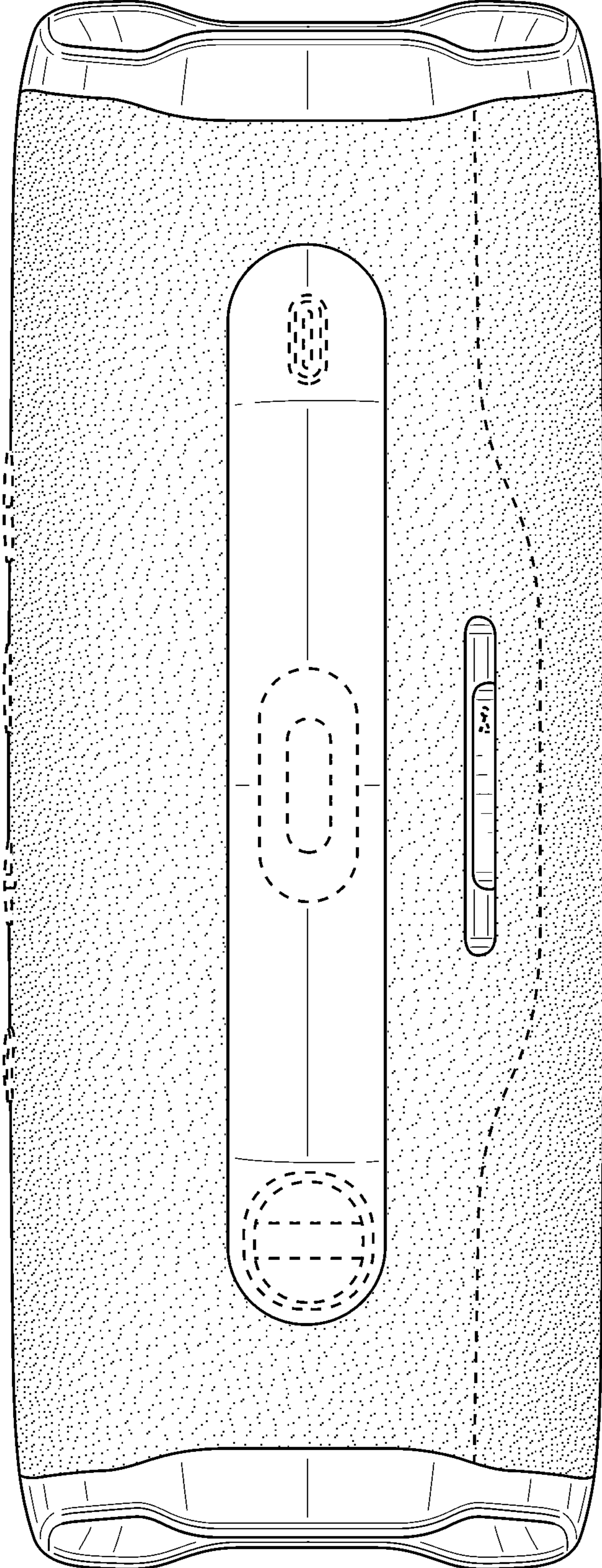


**FIG. 2**

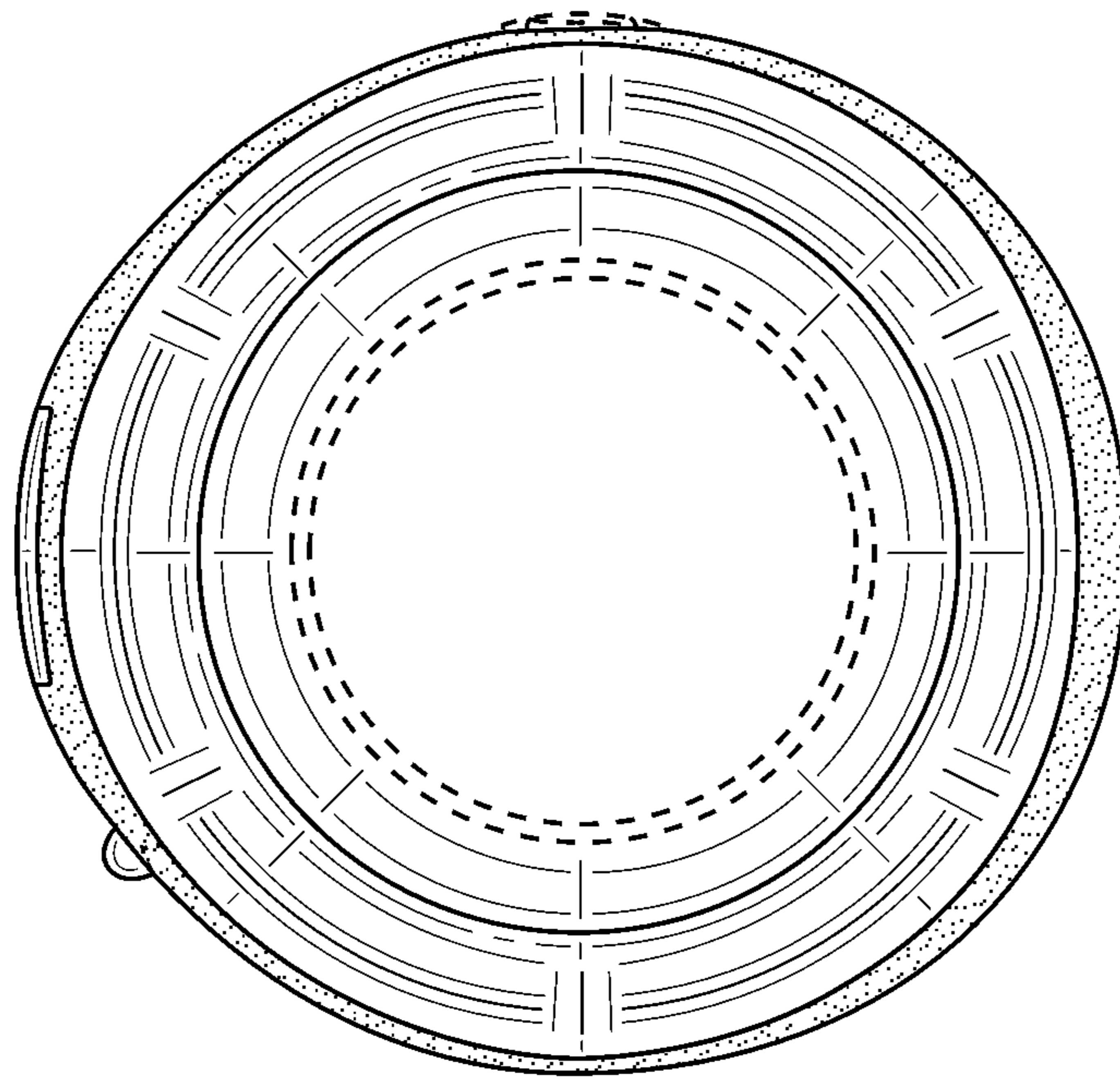


**FIG. 3**

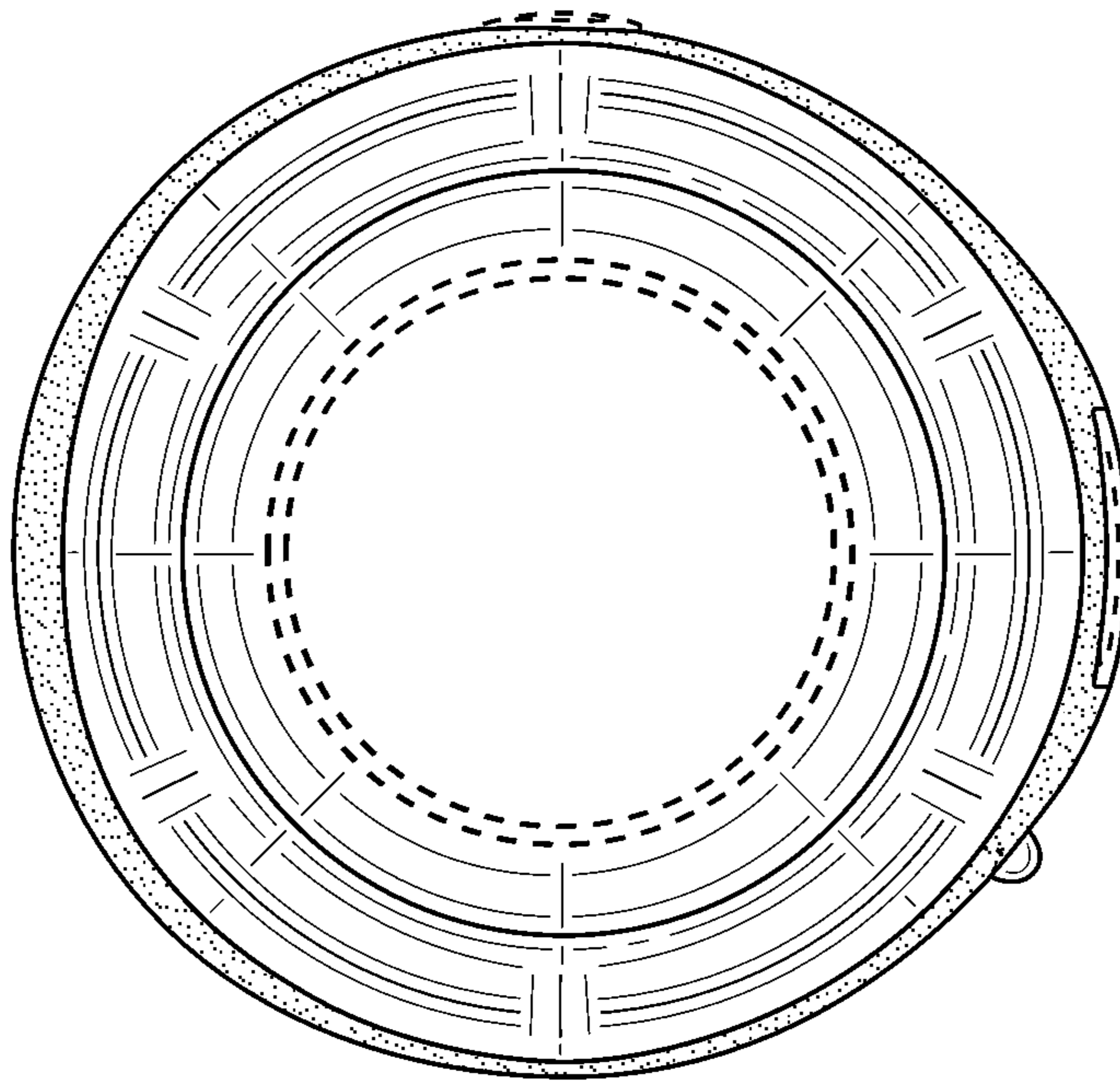




**FIG. 4**

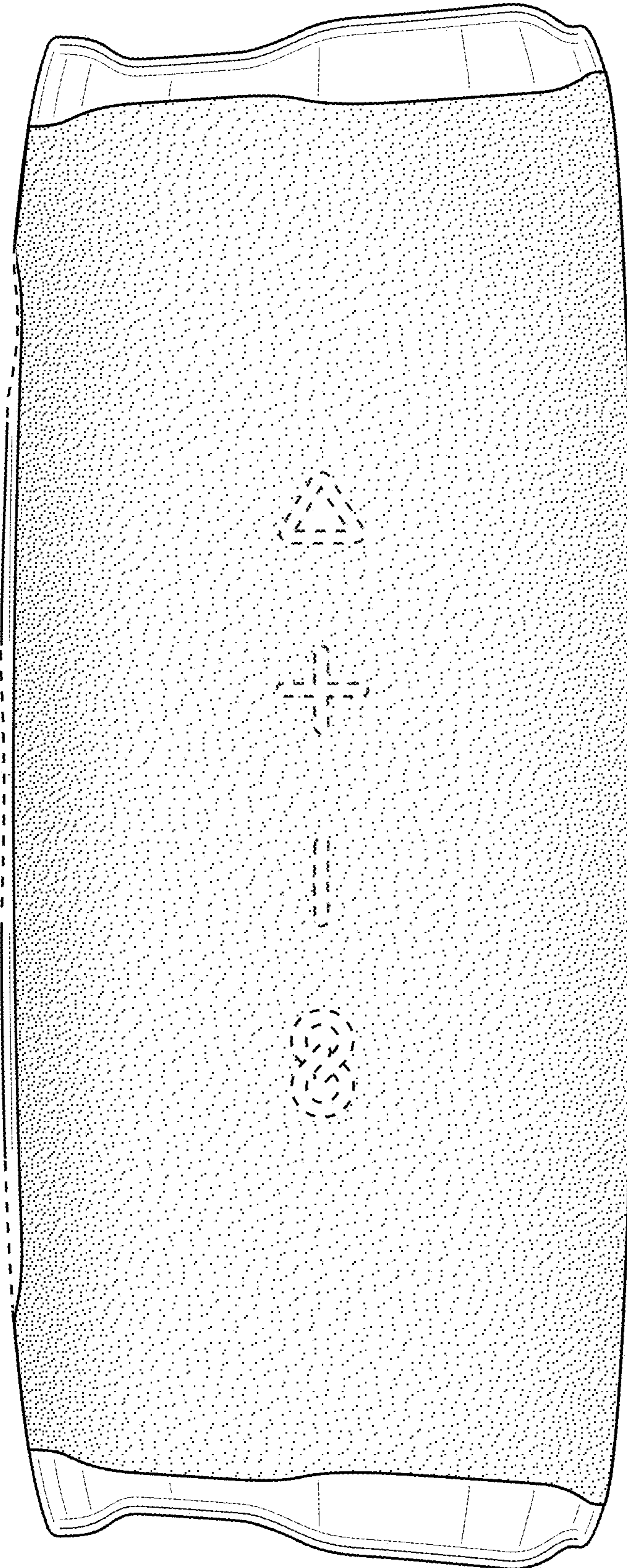


**FIG. 5**

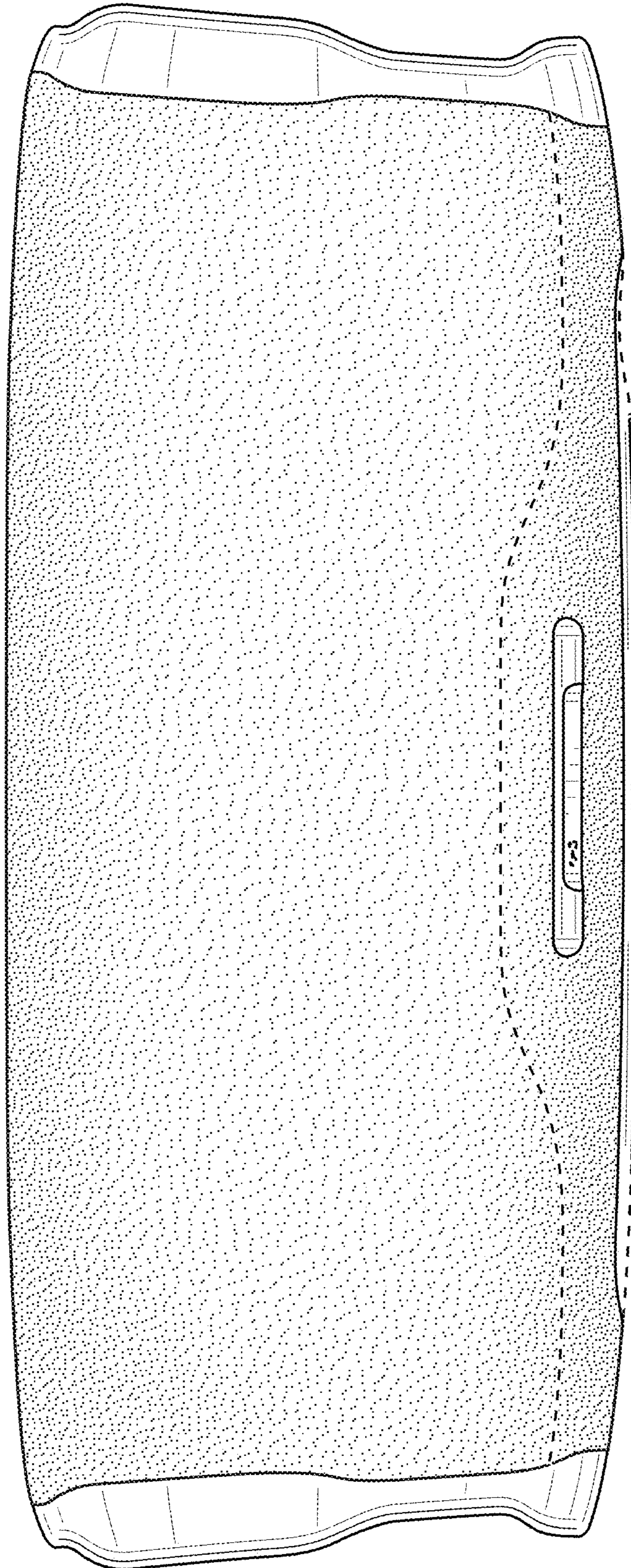


**FIG. 6**





**FIG. 7**



**FIG. 8**