

US00D976864S

(12) **United States Design Patent**  
**Chen**

(10) **Patent No.:** **US D976,864 S**

(45) **Date of Patent:** **\*\* Jan. 31, 2023**

(54) **HEADPHONE**

(71) Applicant: **Shenzhen Shenggao Network Technology Co., Ltd., Shenzhen (CN)**

(72) Inventor: **Xiongbin Chen, Shenzhen (CN)**

(\*\*) Term: **15 Years**

(21) Appl. No.: **29/779,077**

(22) Filed: **Apr. 16, 2021**

(51) **LOC (14) Cl.** ..... **14-01**

(52) **U.S. Cl.**  
USPC ..... **D14/206**

(58) **Field of Classification Search**  
USPC ..... D14/206, 205; D29/112; 2/209;  
381/380-381  
CPC ..... H04R 25/00; H04R 25/02; H04R 1/1066;  
H04R 1/1016; H04R 5/033; H04R  
5/0335; H04R 1/1008; H04R 1/105;  
H04R 1/1091; H04R 19/04  
See application file for complete search history.

(56) **References Cited**

**U.S. PATENT DOCUMENTS**

6,902,029	B2 *	6/2005	Weise	.....	A42B 3/166 181/129
7,072,483	B2 *	7/2006	Lenhard-Backhaus	.....	H04R 1/1066 381/370
D658,630	S *	5/2012	Gondo	.....	D14/205
D701,193	S *	3/2014	Kelly	.....	D14/205
D710,822	S *	8/2014	Gan	.....	H04R 1/1066 D14/205
D711,347	S *	8/2014	Gan	.....	H04R 1/1066 D14/205
D719,133	S *	12/2014	Gan	.....	D14/205
D719,134	S *	12/2014	Gan	.....	D14/205
D719,136	S *	12/2014	Schaal	.....	D14/206
D727,288	S *	4/2015	Yamasaki	.....	D14/205
D729,196	S *	5/2015	Liu	.....	D14/205

D735,419	S *	7/2015	Rose	.....	D29/112
D741,289	S *	10/2015	Schaal	.....	D14/205
D752,018	S *	3/2016	Gondo	.....	D14/205
D763,820	S *	8/2016	Mchatet	.....	D14/205
D807,584	S *	1/2018	Fletcher	.....	D29/112
D808,359	S *	1/2018	Meyer	.....	D14/206
D815,614	S *	4/2018	Tzeng	.....	D14/206
D832,813	S *	11/2018	Levine	.....	D14/205
D840,974	S *	2/2019	Ferren	.....	D14/205
D842,270	S *	3/2019	Chen	.....	D14/205
D845,927	S *	4/2019	Wang	.....	D14/206
D854,513	S *	7/2019	Miyake	.....	D14/206
D856,967	S *	8/2019	Tang	.....	D14/206
D857,657	S *	8/2019	Skinner	.....	D14/206
D864,899	S *	10/2019	He	.....	D14/205
D868,733	S *	12/2019	Luo	.....	D14/205

(Continued)

**FOREIGN PATENT DOCUMENTS**

EM	008428429-0001	*	2/2021
EM	008472153-0001	*	3/2021

*Primary Examiner* — Paula Allen Greene

(74) *Attorney, Agent, or Firm* — Rumit Ranjit Kanakia

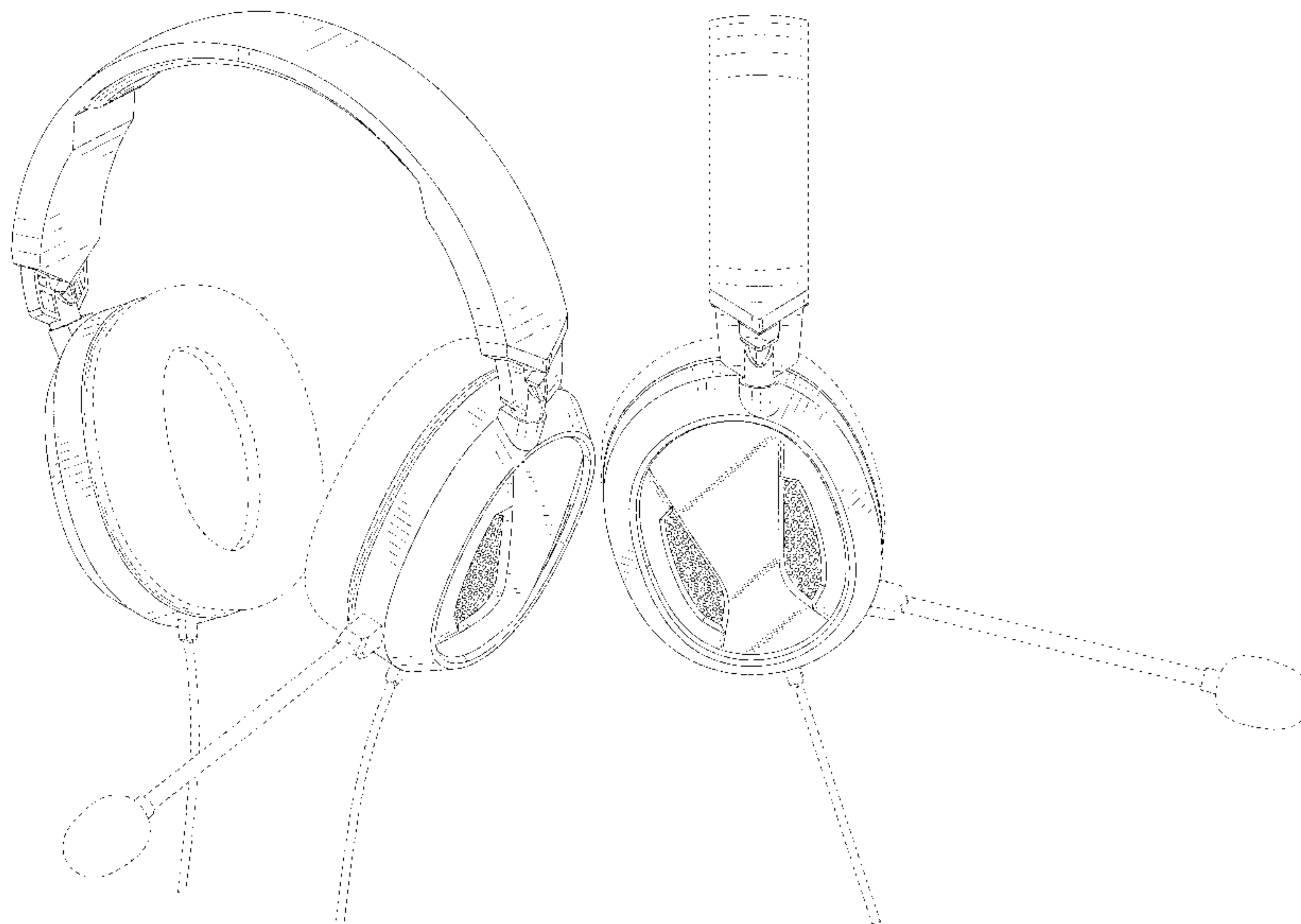
(57) **CLAIM**

I claim the ornamental design for a headphone, as shown and described.

**DESCRIPTION**

FIG. 1 is a Front Perspective view of a headphone showing my new design;  
FIG. 2 is a Bottom Perspective view thereof;  
FIG. 3 is a Front view thereof;  
FIG. 4 is a Back view thereof;  
FIG. 5 is a Left-side view thereof;  
FIG. 6 is a Right-side view thereof;  
FIG. 7 is a Top view thereof; and,  
FIG. 8 is a Bottom view thereof.  
The broken lines in the drawings depict portions of the headphone that form no part of the claimed design.

**1 Claim, 8 Drawing Sheets**



(56)

References Cited

U.S. PATENT DOCUMENTS

D872,050	S *	1/2020	Liu .....	D14/206
D876,388	S *	2/2020	Carr .....	D14/205
D878,329	S *	3/2020	Levine .....	D14/205
D879,066	S *	3/2020	Chen .....	D14/205
D881,157	S *	4/2020	Chen .....	D14/205
D881,840	S *	4/2020	Chen .....	D14/205
D885,683	S *	5/2020	Qiu .....	D29/112
D888,008	S *	6/2020	Yook .....	D14/205
D891,396	S *	7/2020	Matthews .....	D14/205
D894,867	S *	9/2020	Choe .....	D14/205
D901,436	S *	11/2020	Peng .....	D14/205
D904,339	S *	12/2020	Wang .....	D14/205
D910,594	S *	2/2021	Chen .....	D14/206
D916,681	S *	4/2021	He .....	D14/206
D944,762	S *	3/2022	Chen .....	D14/205
D947,153	S *	3/2022	He .....	D14/206
D954,022	S *	6/2022	Chen .....	D14/206
D966,232	S *	10/2022	Kuramoto .....	D14/206
D968,361	S *	11/2022	Tang .....	D14/205
D968,366	S *	11/2022	Liu .....	D14/206
2010/0310093	A1 *	12/2010	Semcken .....	H04R 1/1058 381/104
2011/0206216	A1 *	8/2011	Brunner .....	H04R 1/1066 381/74
2013/0340769	A1 *	12/2013	Roos .....	A61F 11/14 128/866
2020/0288234	A1 *	9/2020	Fletcher .....	H04R 1/1066
2022/0148557	A1 *	5/2022	Reid .....	B01D 46/44

\* cited by examiner

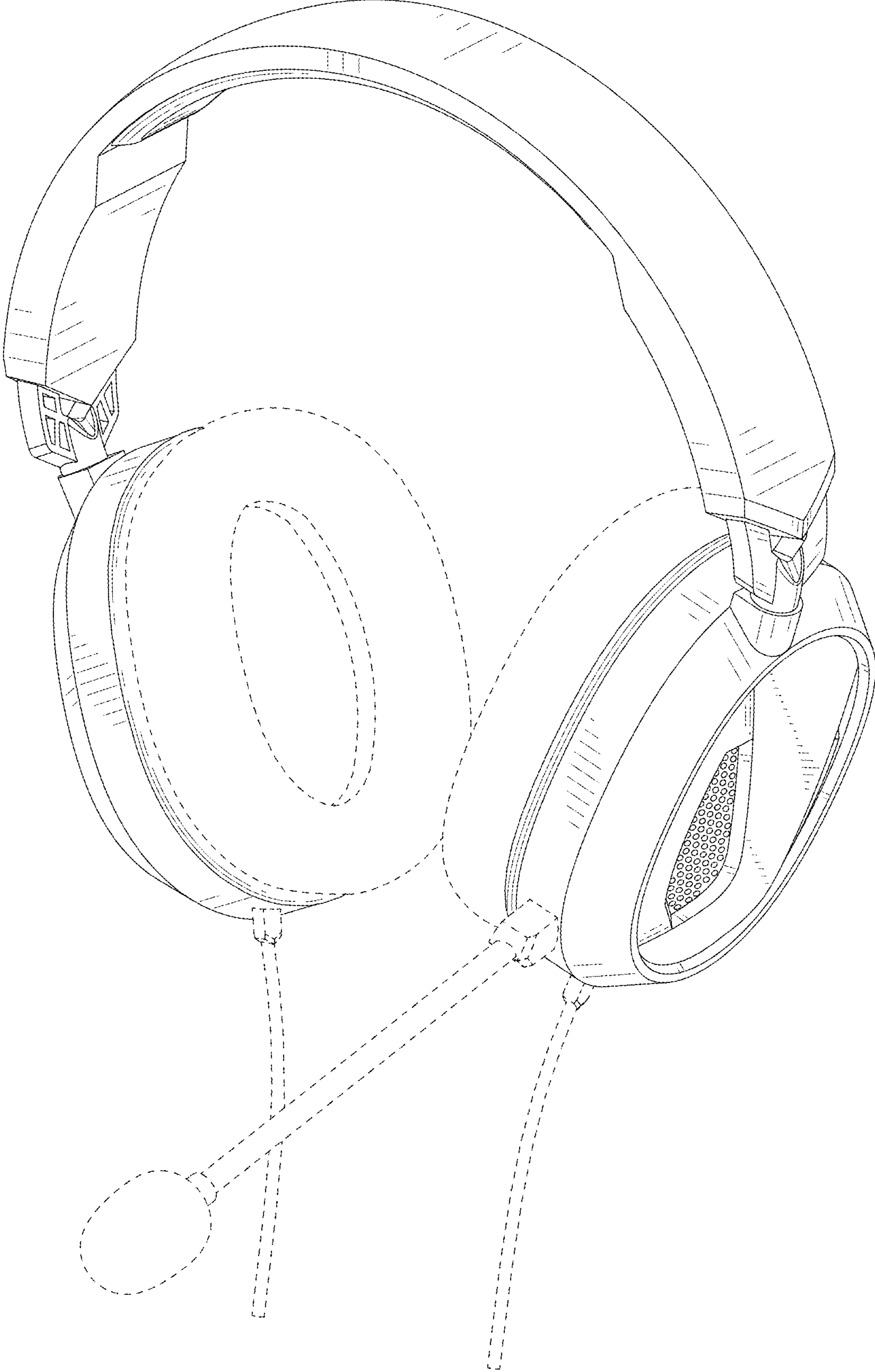


FIG. 1



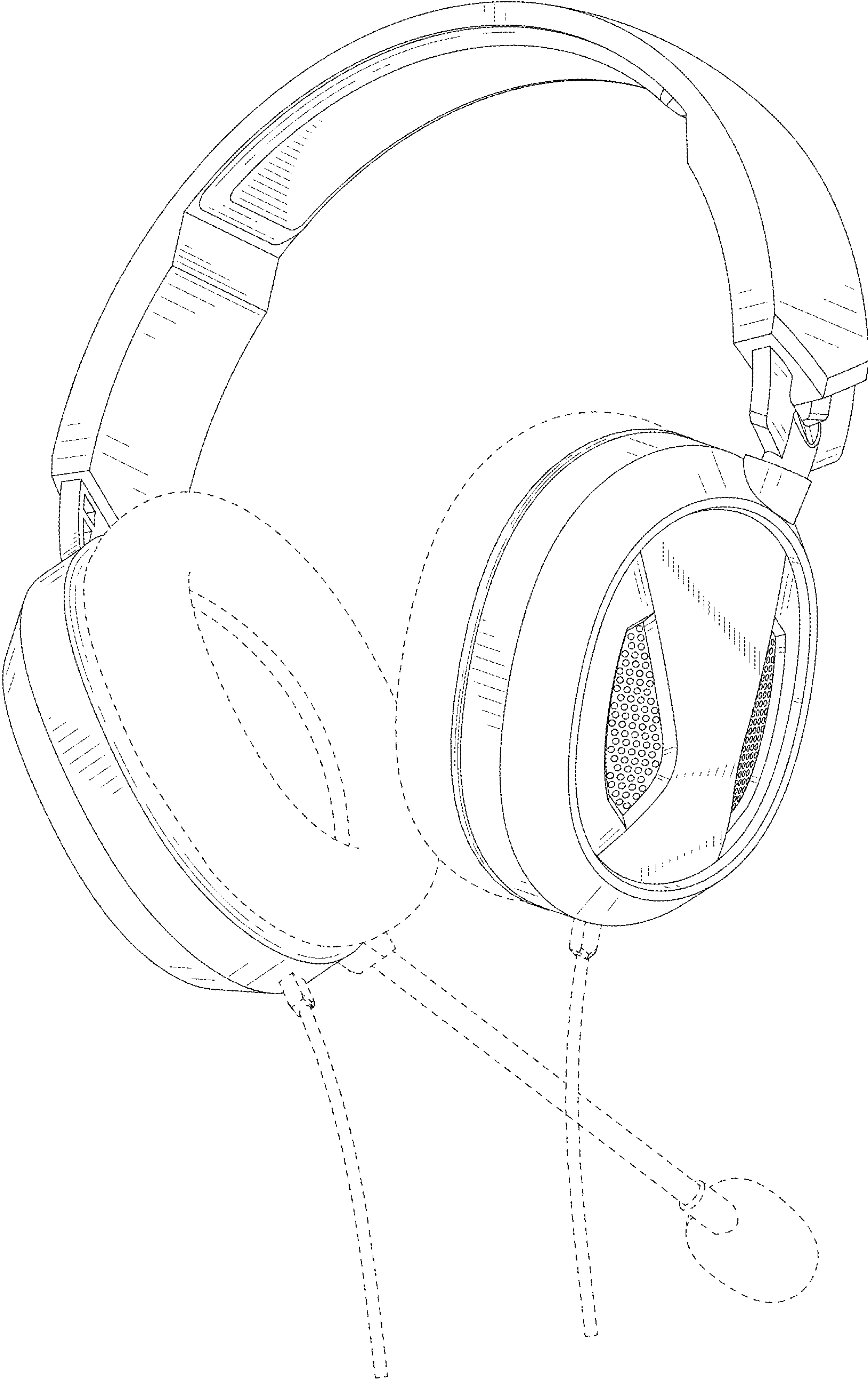


FIG. 2



FIG. 3



FIG. 4

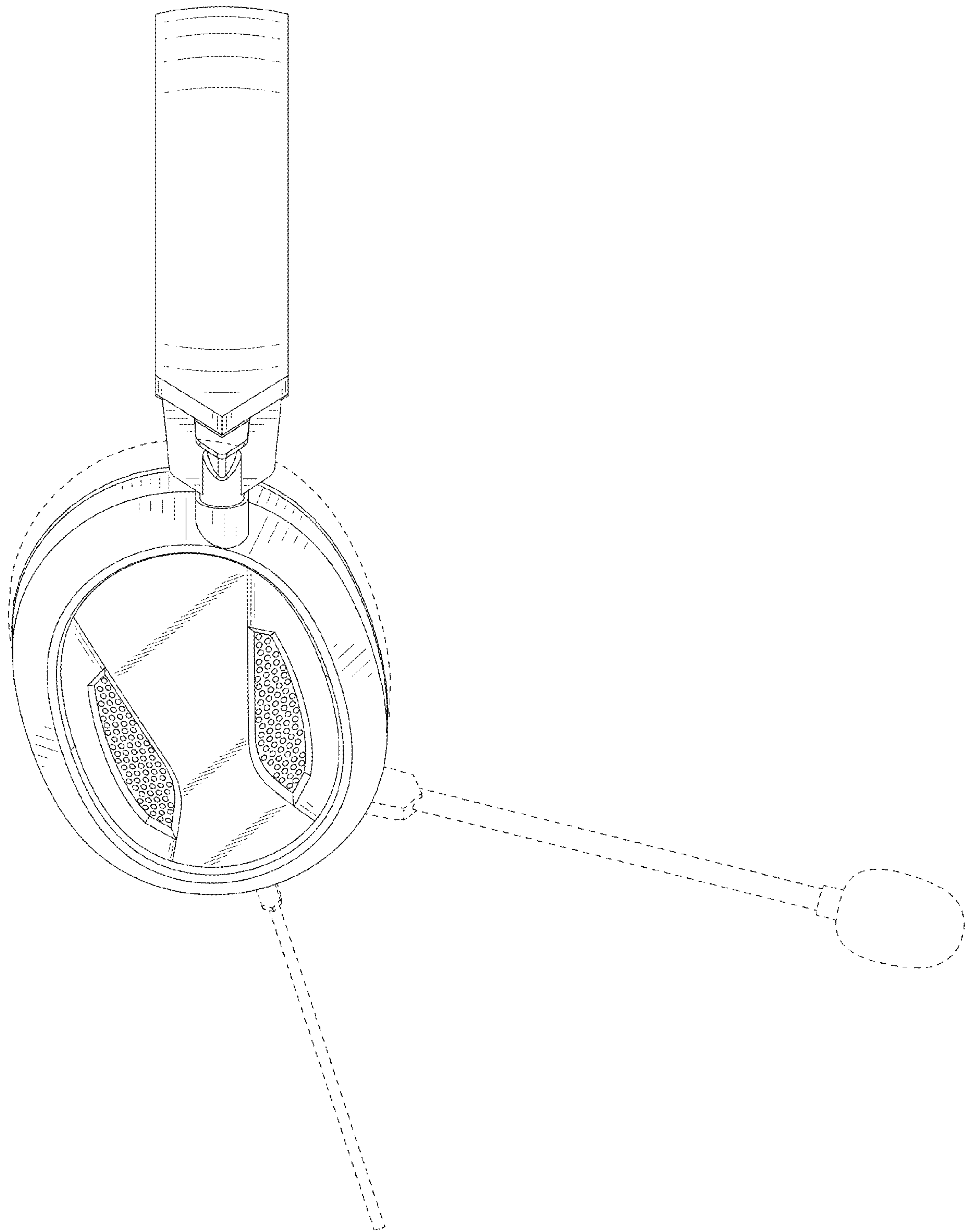


FIG. 5

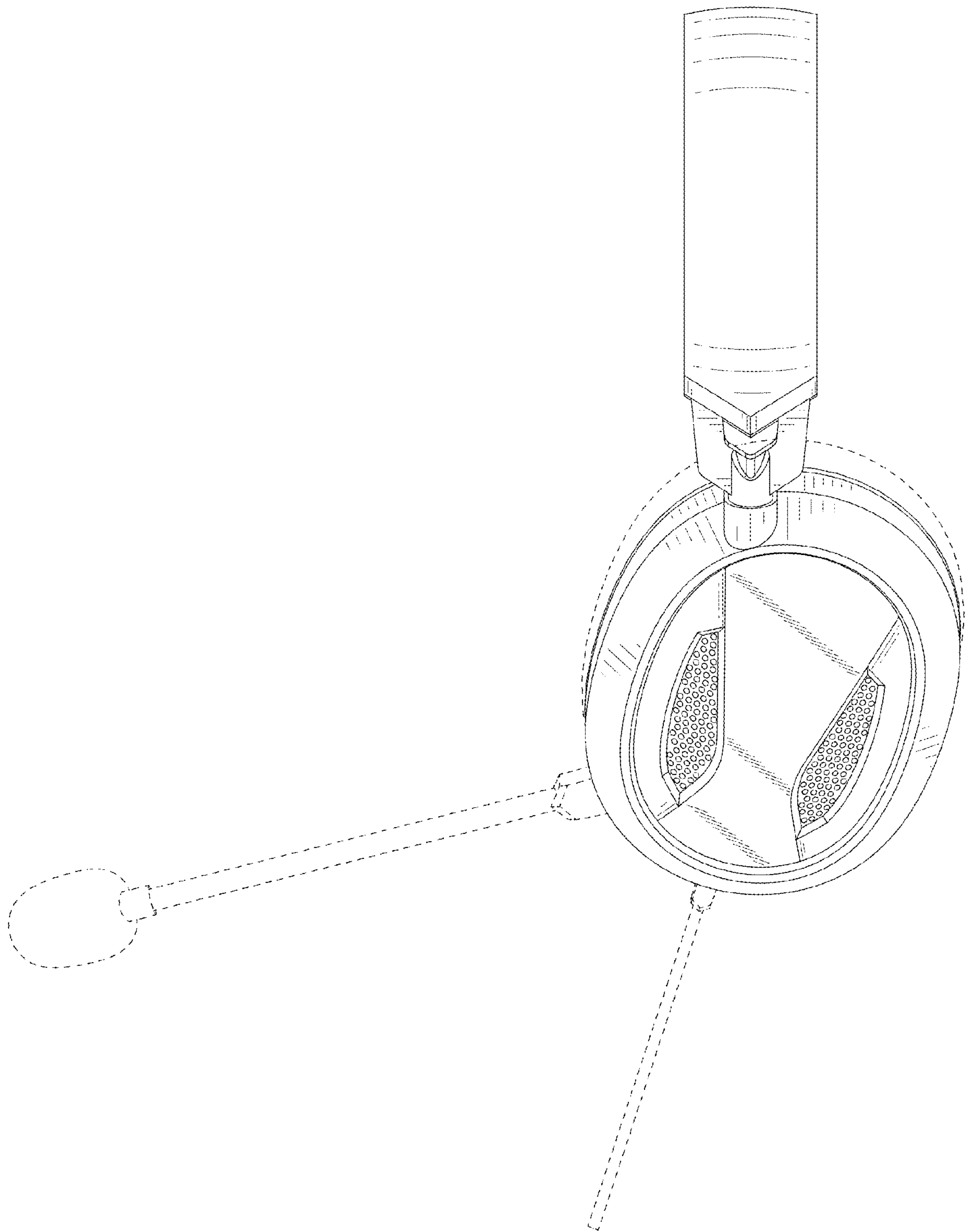


FIG. 6



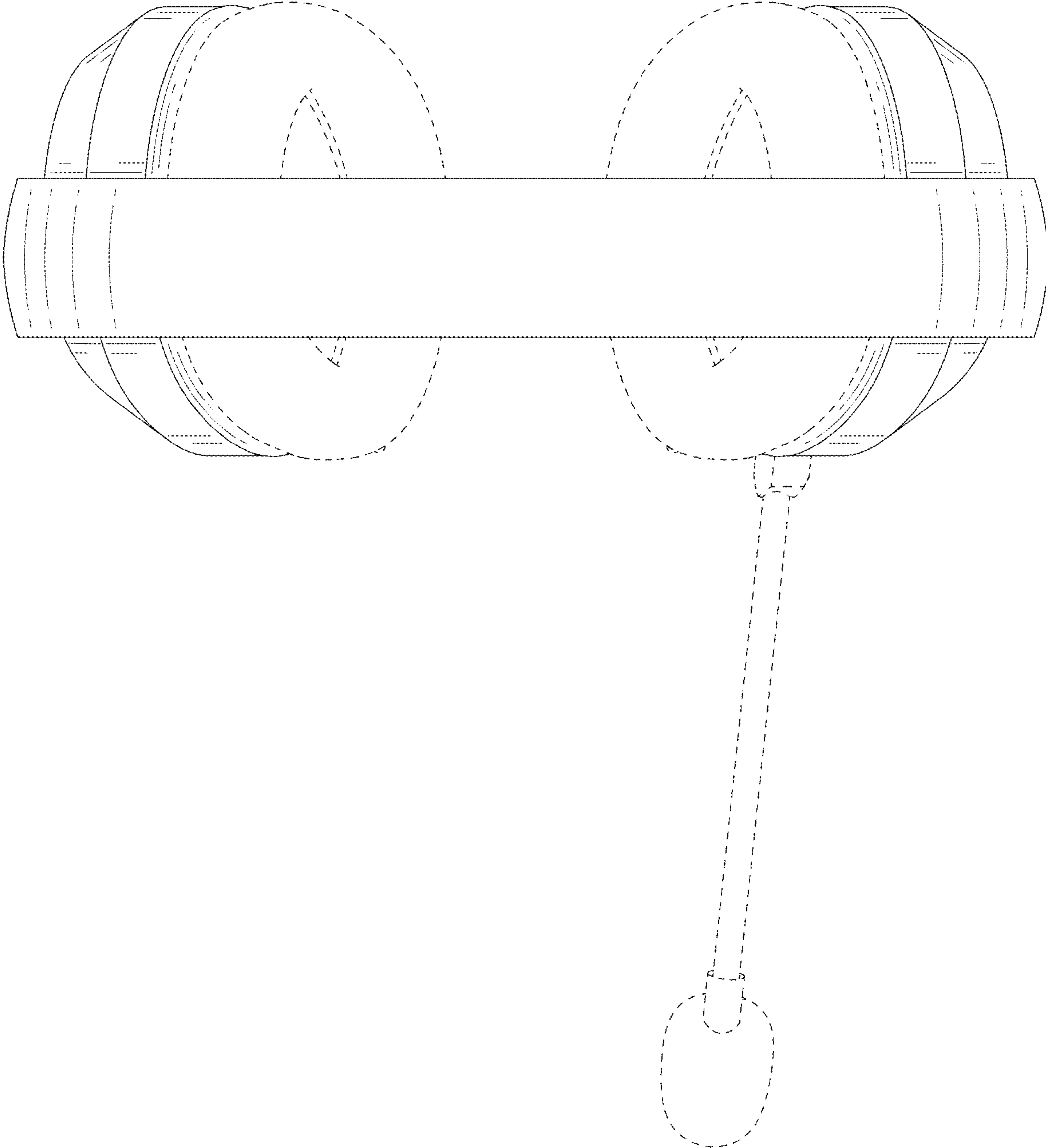


FIG. 7

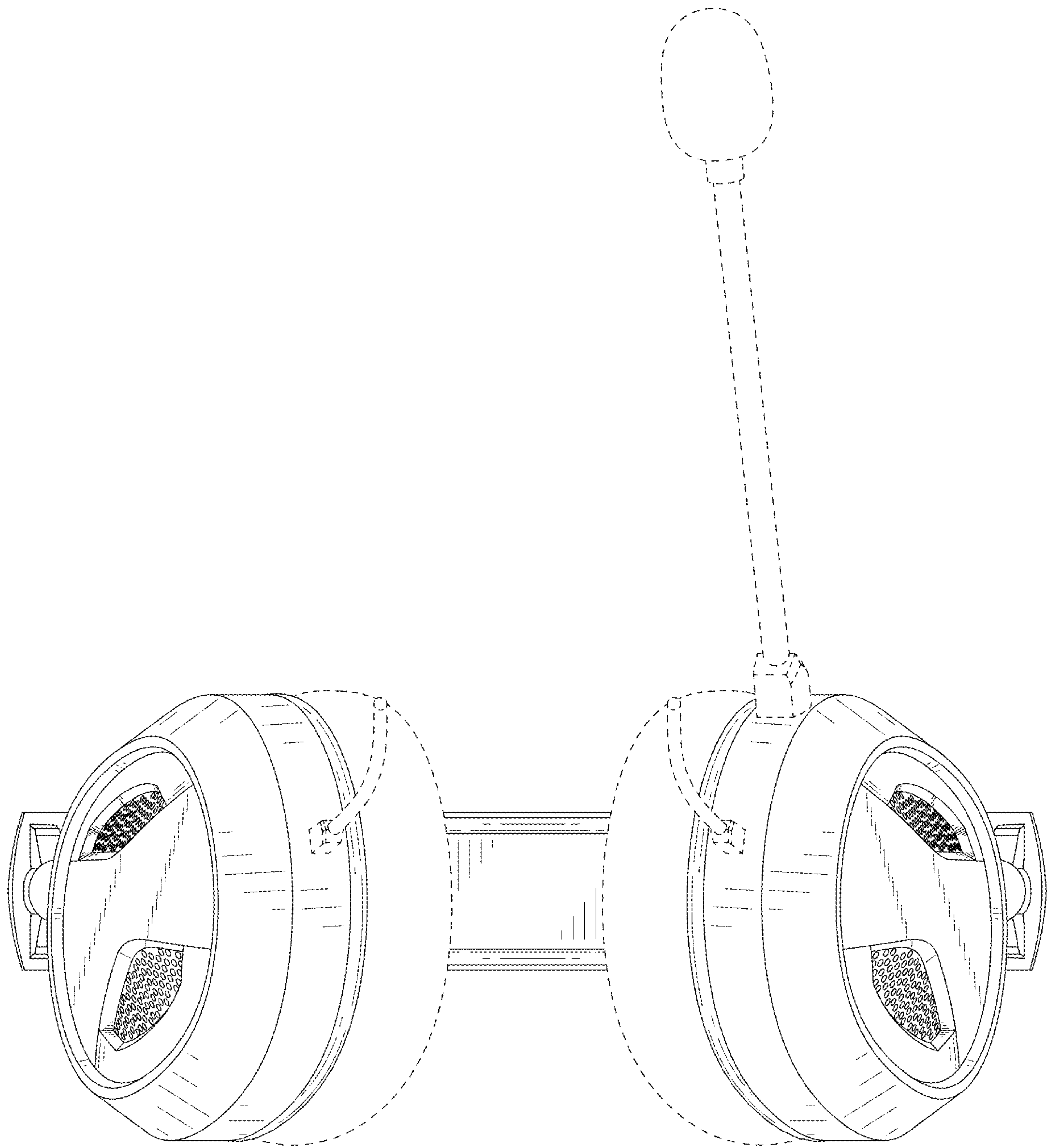


FIG. 8