



US00D976863S

(12) **United States Design Patent**
Guo

(10) **Patent No.:** **US D976,863 S**
(45) **Date of Patent:** **** Jan. 31, 2023**

- (54) **EARPHONE**
- (71) Applicant: **Shenzhen Apwill Electronic Co., Ltd.**,
Guangdong (CN)
- (72) Inventor: **Dehua Guo**, Guangdong (CN)
- (73) Assignee: **Shenzhen Apwill Electronic Co., Ltd.**,
Shenzhen (CN)
- (**) Term: **15 Years**
- (21) Appl. No.: **29/806,015**
- (22) Filed: **Aug. 31, 2021**
- (51) **LOC (14) Cl.** **14-01**
- (52) **U.S. Cl.**
USPC **D14/205**
- (58) **Field of Classification Search**
USPC D14/205, 223, 218; D13/133, 154;
D24/106; D29/112; 2/209;
381/380-381, 328, 322
CPC H04R 25/00; H04R 25/02; H04R 1/10;
H04R 1/1016; H04R 5/033; H04R
5/0335; H04R 1/1033; H04R 1/1041;
H04R 1/1091
See application file for complete search history.

- D388,552 S * 12/1997 Weaver D29/112
 - D399,607 S * 10/1998 Davis D29/112
 - 5,887,070 A * 3/1999 Iseberg H04R 1/1016
381/328
 - D446,499 S * 8/2001 Andre D13/110
- (Continued)

FOREIGN PATENT DOCUMENTS

- CN 305321183 * 8/2019
 - CN 306065341 * 9/2020
- (Continued)

Primary Examiner — Paula Allen Greene
(74) *Attorney, Agent, or Firm* — Dragon Sun Law Firm,
PC; Jinggao Li; Nathaniel Perkins

(57) **CLAIM**

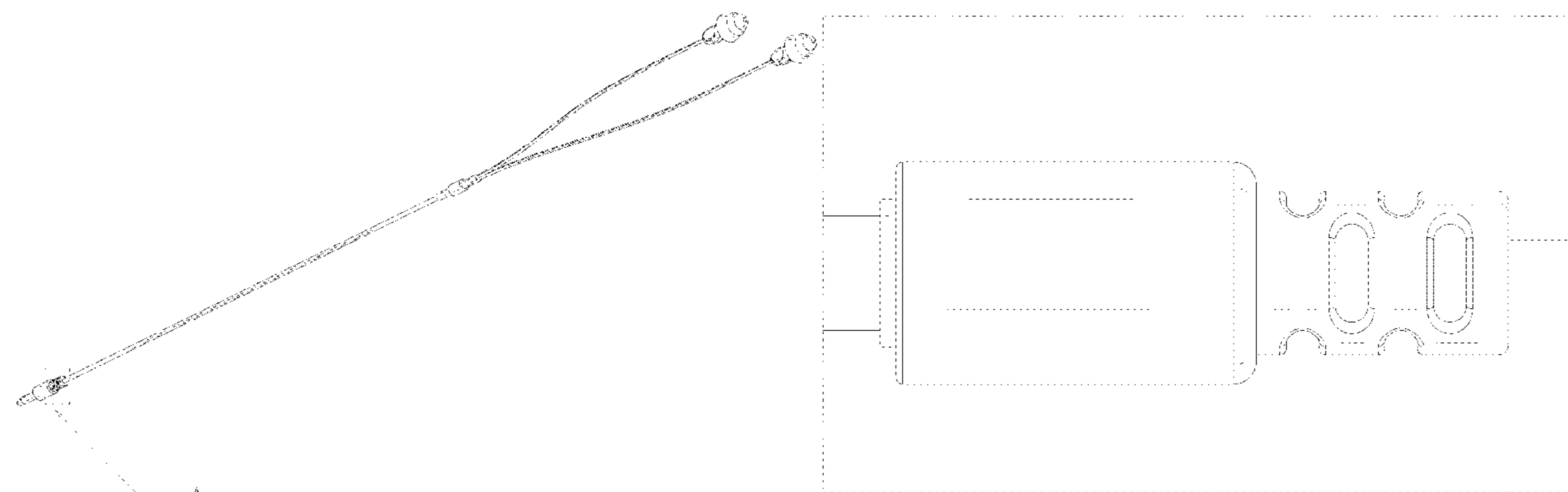
The ornamental design for an earphone, as shown and described.

DESCRIPTION

FIG. 1 is a front, top perspective view of an earphone showing my new design;
 FIG. 2 is a rear, bottom perspective view thereof;
 FIG. 3 is a front view thereof;
 FIG. 4 is a rear view thereof;
 FIG. 5 is a left view thereof;
 FIG. 6 is a right view thereof;
 FIG. 7 is a top view thereof;
 FIG. 8 is a bottom view thereof;
 FIG. 9 is a partially enlarged view of FIG. 1 thereof; and,
 FIG. 10 is a partially enlarged view of FIG. 3.
 The broken lines shown on the drawings depict portions of the earphone that form no part of the claimed design. The dot dash broken lines surrounding portions of the earphone in FIGS. 1 and 3 and illustrated in the enlarged views of FIGS. 9 and 10 form no part of the claimed design.

1 Claim, 7 Drawing Sheets

- (56) **References Cited**
U.S. PATENT DOCUMENTS
- 2,161,606 A * 6/1939 Andre H01R 13/58
439/456
- D215,138 S * 9/1969 Mackey D29/112
- D243,698 S * 3/1977 Gietzen D13/133
- D270,634 S * 9/1983 Ungar D14/205
- 4,647,135 A * 3/1987 Reinhardt H01R 24/58
439/669
- 4,867,149 A * 9/1989 Falco A61F 11/08
128/864
- 5,113,967 A * 5/1992 Killion A61F 11/08
181/135
- D351,387 S * 10/1994 Roberts D29/112



(56)

References Cited

U.S. PATENT DOCUMENTS

6,440,339 B1 * 8/2002 Magidson B29C 39/10
264/157
D468,301 S 1/2003 Fushimi
D469,753 S * 2/2003 Andre D14/205
D473,217 S * 4/2003 Rivera D14/223
6,695,093 B1 * 2/2004 Falco A61F 11/08
181/135
D578,508 S * 10/2008 Wang D14/206
D599,778 S 9/2009 Ando
D599,779 S 9/2009 Ando
7,654,856 B2 * 2/2010 Wu H01R 13/65912
439/607.45
D632,438 S * 2/2011 Franklin D29/112
D652,817 S * 1/2012 Lee D14/205
D653,235 S * 1/2012 McManigal D14/205
D654,056 S * 2/2012 Hoggarth D14/223
D656,492 S * 3/2012 Huang D14/223
8,144,915 B2 * 3/2012 Hankey H01H 9/0228
381/384
8,218,808 B2 * 7/2012 Xu H04R 1/1033
381/384
D668,632 S * 10/2012 Enquist D14/223
D676,417 S * 2/2013 Masuda D14/205
D677,240 S * 3/2013 Coulter D14/205
D678,242 S * 3/2013 Von Euler D14/205
D680,102 S * 4/2013 Chen D14/223
D681,001 S * 4/2013 Murchison D14/205
8,447,062 B2 * 5/2013 Lin H04R 1/10
381/384
D685,764 S * 7/2013 Coulter D14/205
D686,596 S * 7/2013 Morimoto D14/223
D687,410 S * 8/2013 Fletcher D14/205

D695,267 S * 12/2013 Schaal D14/223
D707,660 S * 6/2014 Yang H04R 1/10
D14/223
8,743,533 B2 * 6/2014 Stanley H05K 5/023
381/384
D726,145 S * 4/2015 Hsieh D14/205
D767,532 S * 9/2016 Jen D14/205
D875,709 S 2/2020 Yuanfa et al.
D895,575 S * 9/2020 Aoyagi D14/205
D904,347 S 12/2020 Yamamoto et al.
D932,002 S * 9/2021 Yuan D24/106
D934,435 S * 10/2021 Lowsky D24/195
D935,434 S * 11/2021 Cai D14/205
D955,549 S * 6/2022 Cai D24/106
2011/0044487 A1 * 2/2011 Nault H04R 1/1033
381/384
2011/0158455 A1 * 6/2011 Kim C08L 25/10
381/370
2014/0112520 A1 * 4/2014 Knudsen H04R 1/1083
381/380
2015/0047651 A1 * 2/2015 Haapapuro A61F 11/12
128/866
2016/0014496 A1 * 1/2016 Kann G06F 3/03547
381/74
2016/0142808 A1 * 5/2016 Monahan H04R 1/1033
381/384
2022/0095038 A1 * 3/2022 Xie H04R 5/0335

FOREIGN PATENT DOCUMENTS

CN 306620406 * 6/2021
CN 306712876 * 7/2021
CN 307326194 * 5/2022

* cited by examiner



FIG. 1

9

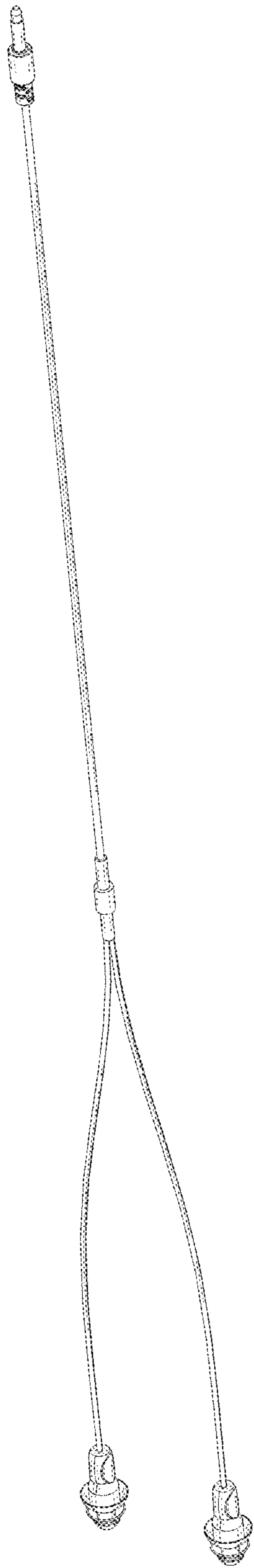


FIG. 2

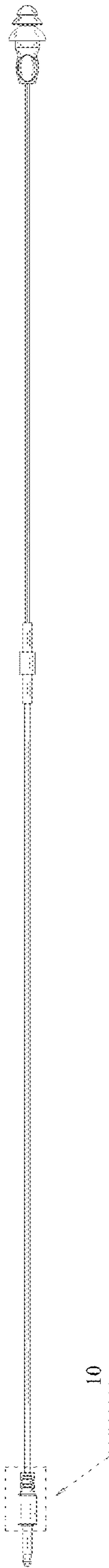


FIG. 3



FIG. 4

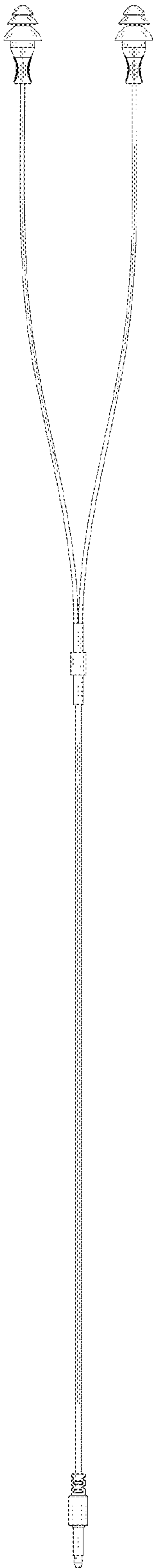


FIG. 5

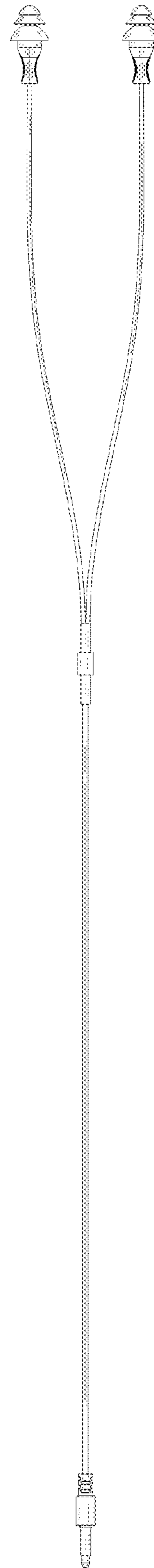


FIG. 6

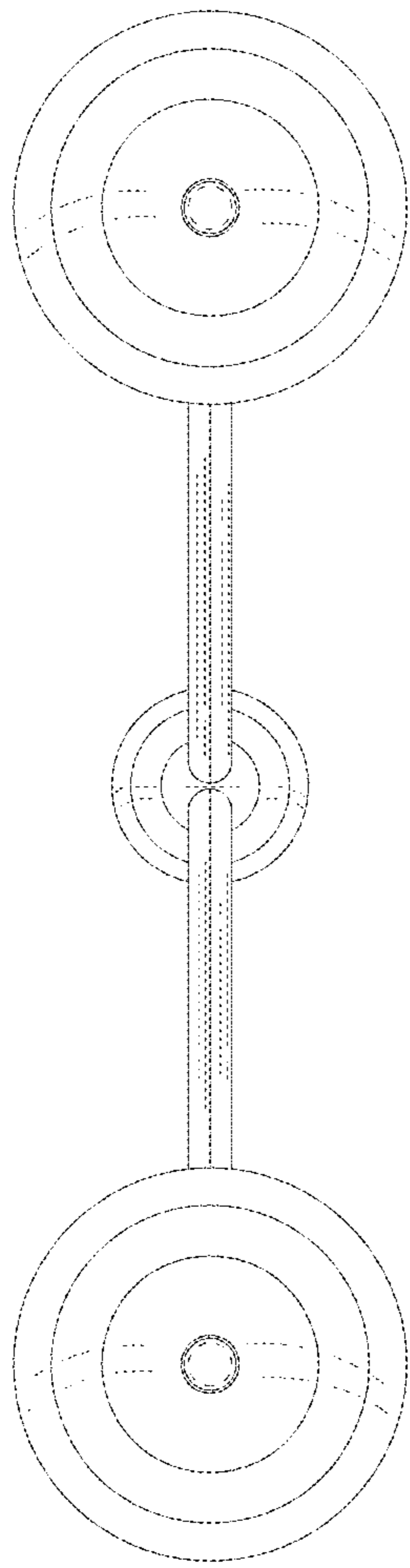


FIG. 7

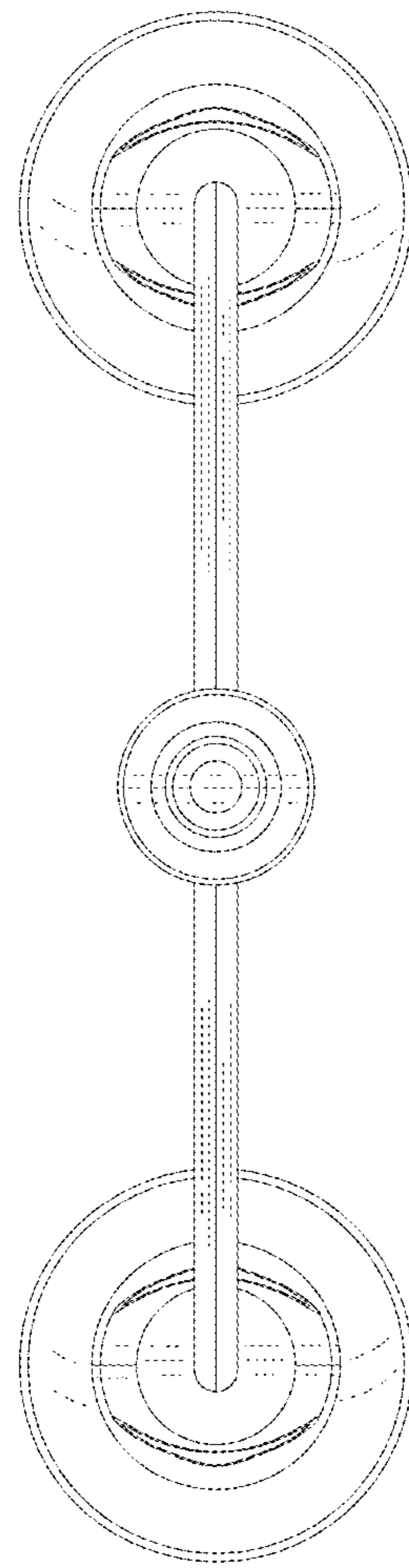


FIG. 8

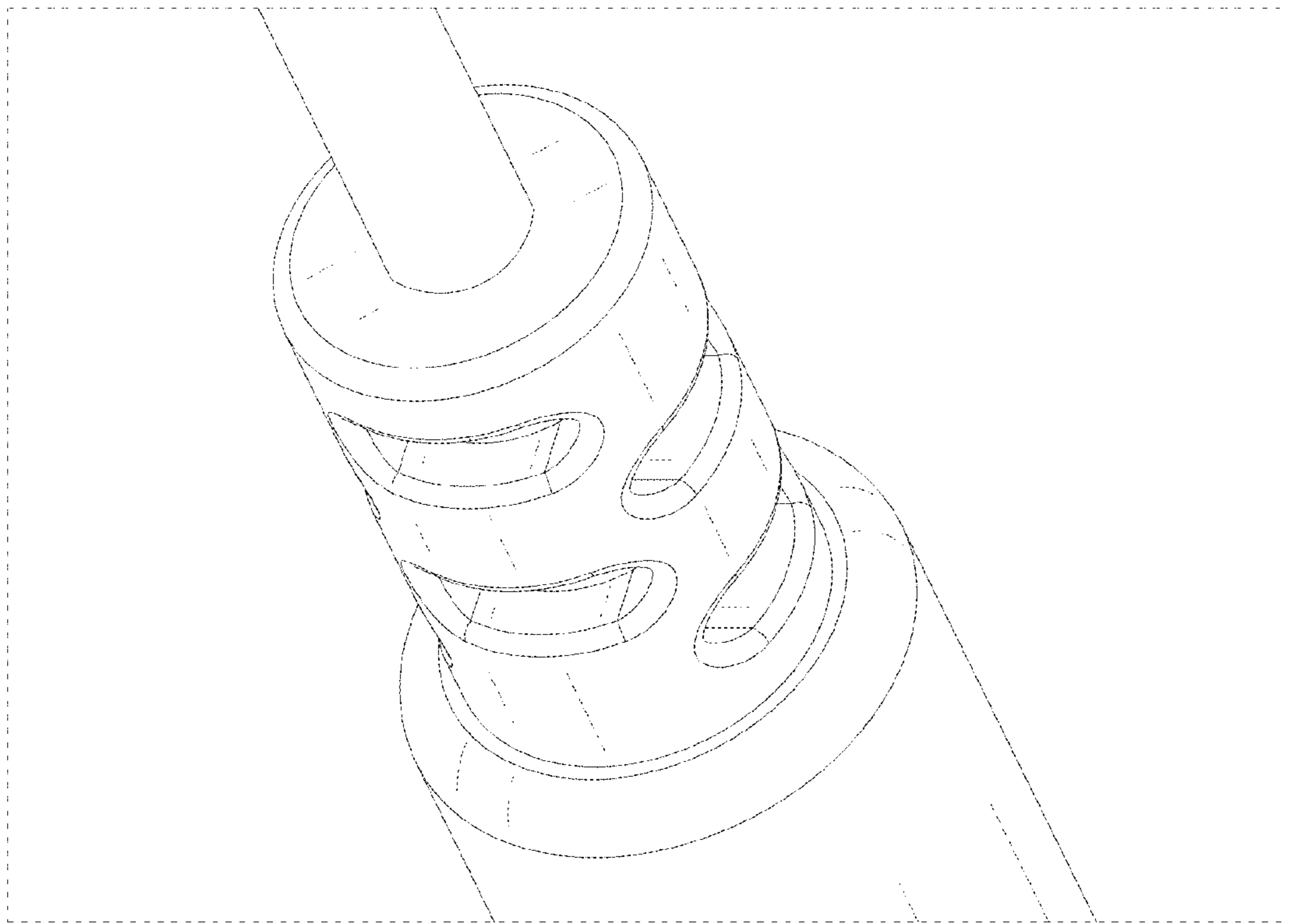


FIG. 9

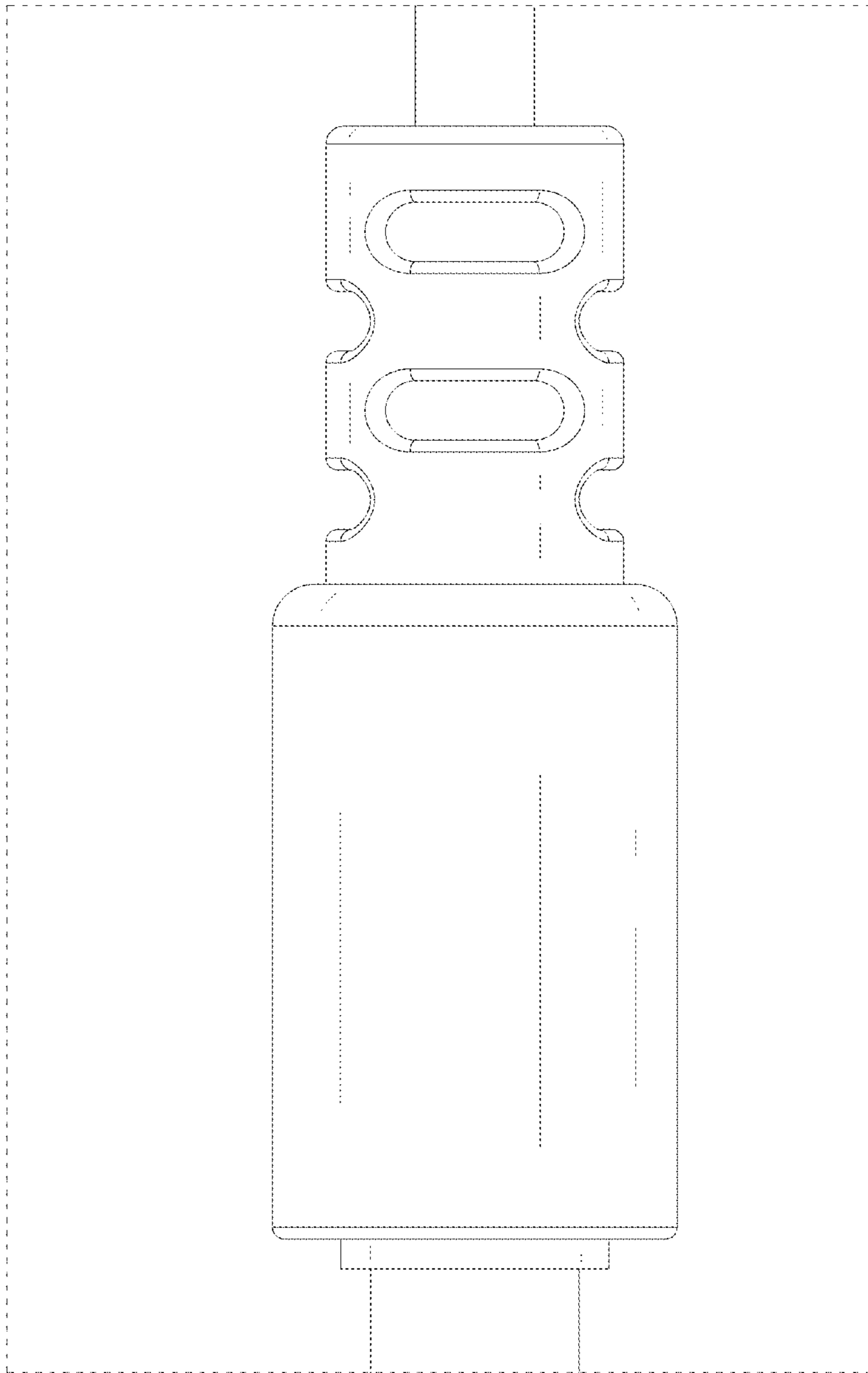


FIG. 10