



US00D976862S

(12) **United States Design Patent** (10) **Patent No.:** **US D976,862 S**
Herbst et al. (45) **Date of Patent:** **** Jan. 31, 2023**

(54) **SPEAKER**
(71) Applicant: **Logitech Europe S.A.**, Lausanne (CH)
(72) Inventors: **Scot Herbst**, Santa Cruz, CA (US);
Elisabeth Morris, Santa Cruz, CA (US); **William Hunter**, Denver, CO (US); **Ming-Hsiang Weng**, Zhubei (TW); **Wenwei Wang**, Hsinchu (TW); **Mei-Yin Chen**, New Taipei (TW)
(73) Assignee: **Logitech Europe S.A.**, Lausanne (CH)
(**) Term: **15 Years**

(21) Appl. No.: **29/746,737**
(22) Filed: **Aug. 17, 2020**
(51) **LOC (14) Cl.** **14-01**
(52) **U.S. Cl.**
USPC **D14/204**
(58) **Field of Classification Search**
USPC D14/188, 204, 211, 214, 215
CPC ... H04R 1/02; H04R 9/06; H04R 5/02; H04R 1/025
See application file for complete search history.

(56) **References Cited**
U.S. PATENT DOCUMENTS
D480,706 S * 10/2003 Bolton D14/214
D506,745 S * 6/2005 Sitoh D14/214
D507,559 S * 7/2005 Sitoh D14/214
D512,989 S * 12/2005 Brimhall D14/215
D564,497 S * 3/2008 Langberg D14/214
D570,333 S * 6/2008 Cho D14/215
D652,018 S * 1/2012 Weedon D14/215

OTHER PUBLICATIONS
[Logitech Z407 Bluetooth Computer Speakers], available in Amazon.com, date first available Oct. 15, 2020 [online], [site visited Apr. 15,

2022], Available from the internet URL: https://www.amazon.com/Logitech-Bluetooth-Computer-Subwoofer-Immersive/dp/B0877BPCJM/ref=sr_1_3 (Year: 2020).*
[Z407 Bluetooth Computer Speakers with Subwoofer], announced in YouTube on Oct. 15, 2020 [online], [site visited Apr. 15, 2022], Available from the internet URL: <https://www.youtube.com/watch?v=jFpZV7kwtL8> (Year: 2020).*

* cited by examiner
Primary Examiner — Khawaja Anwar
Assistant Examiner — Megan Tiana Rakos
(74) *Attorney, Agent, or Firm* — Kilpatrick Townsend & Stockton LLP

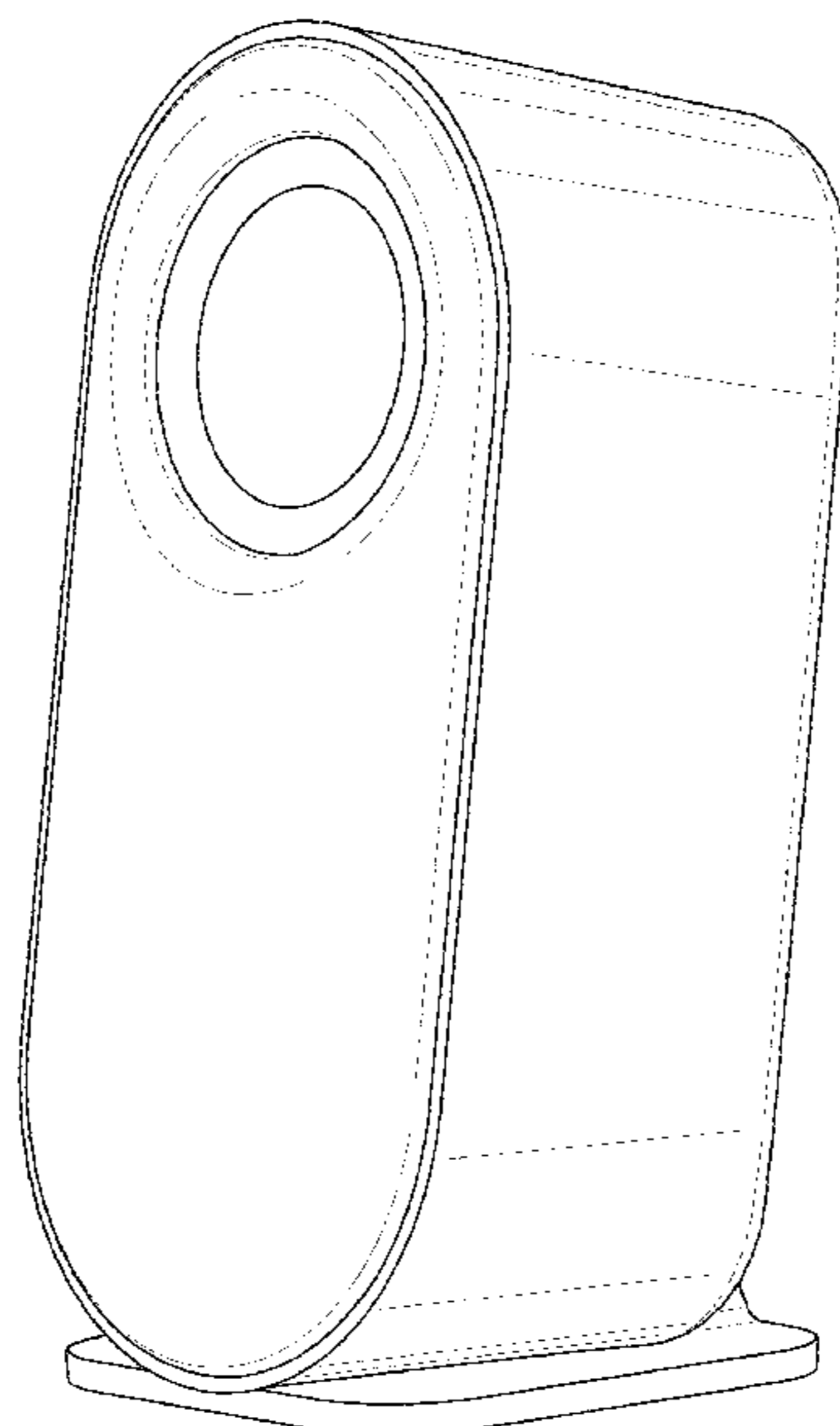
(57) **CLAIM**

The ornamental design for a speaker, as shown and described.

DESCRIPTION

FIG. 1 is a front perspective view of a speaker showing our new design;
FIG. 2 is a rear perspective view thereof;
FIG. 3 is a top plan view thereof;
FIG. 4 is a bottom plan view thereof;
FIG. 5 is a front elevation view thereof;
FIG. 6 is a rear elevation view thereof;
FIG. 7 is a left side elevation view thereof; and,
FIG. 8 is a right side elevation view thereof.
The broken lines shown to be immediately adjacent to the shaded/contoured areas represent certain portions of the bounds of the claimed design while all other broken lines are directed to environmental features and are provided for illustrative purposes only; the broken lines form no part of the claimed design.

1 Claim, 7 Drawing Sheets



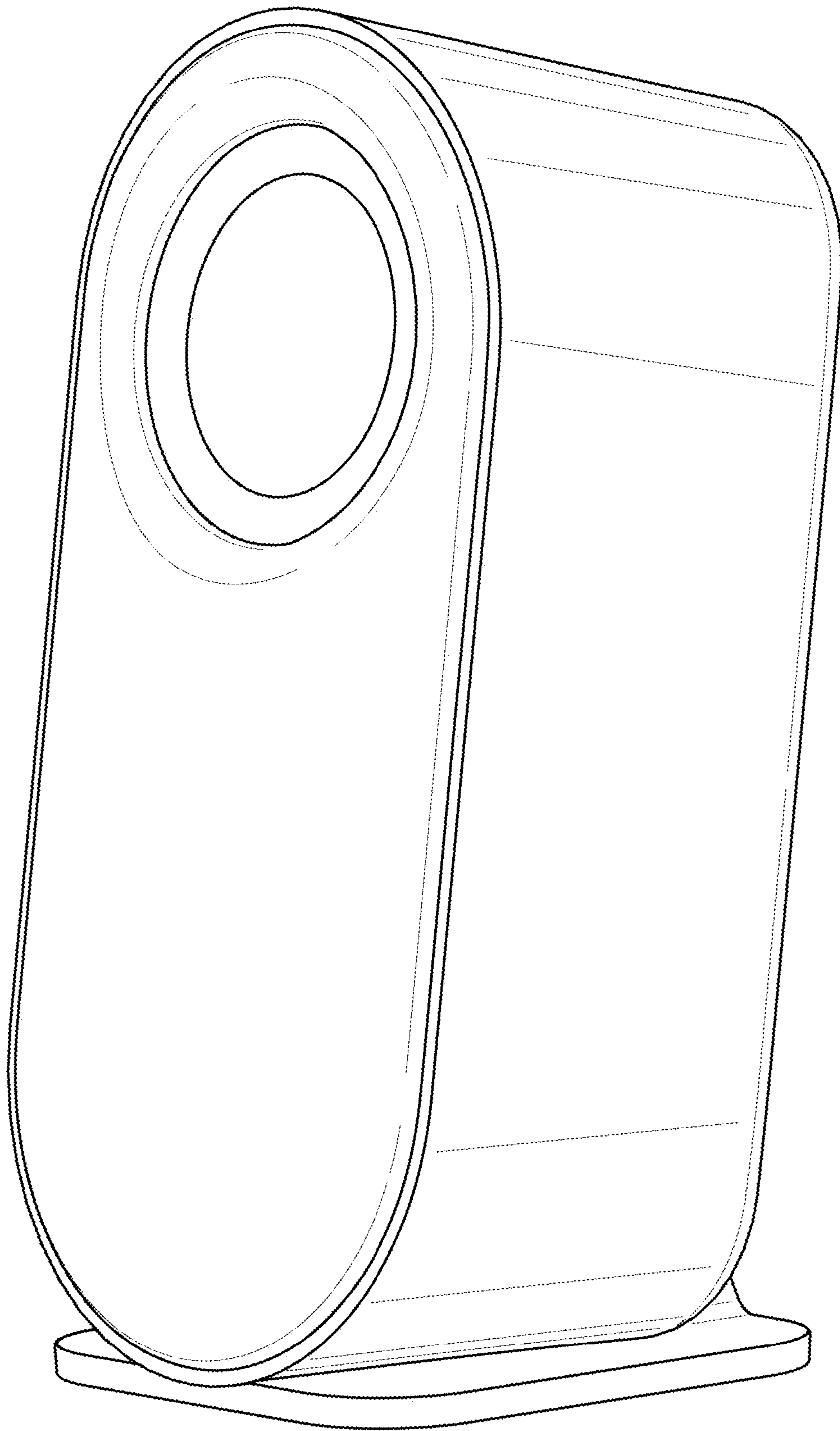


FIG. 1

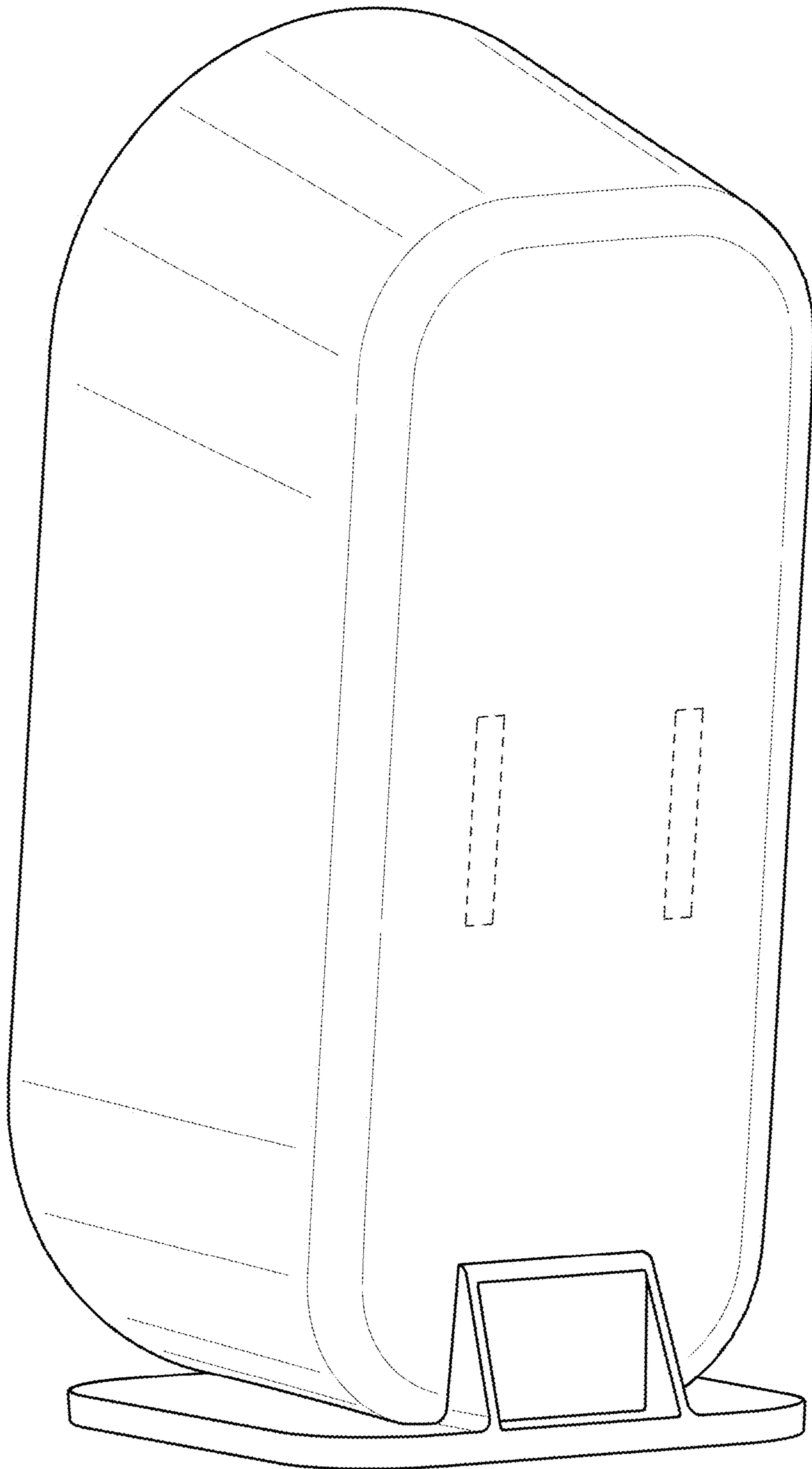


FIG. 2

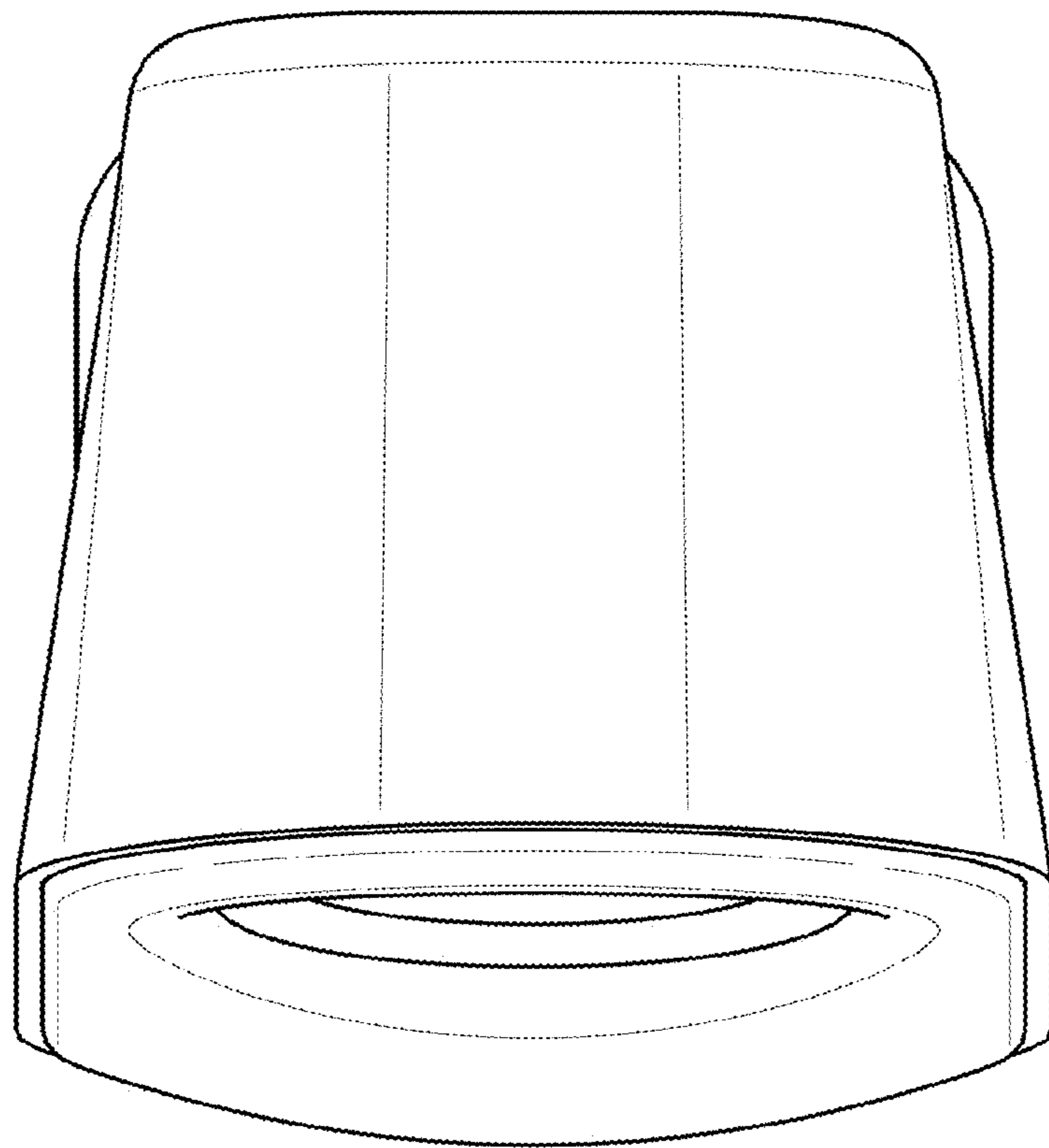


FIG. 3

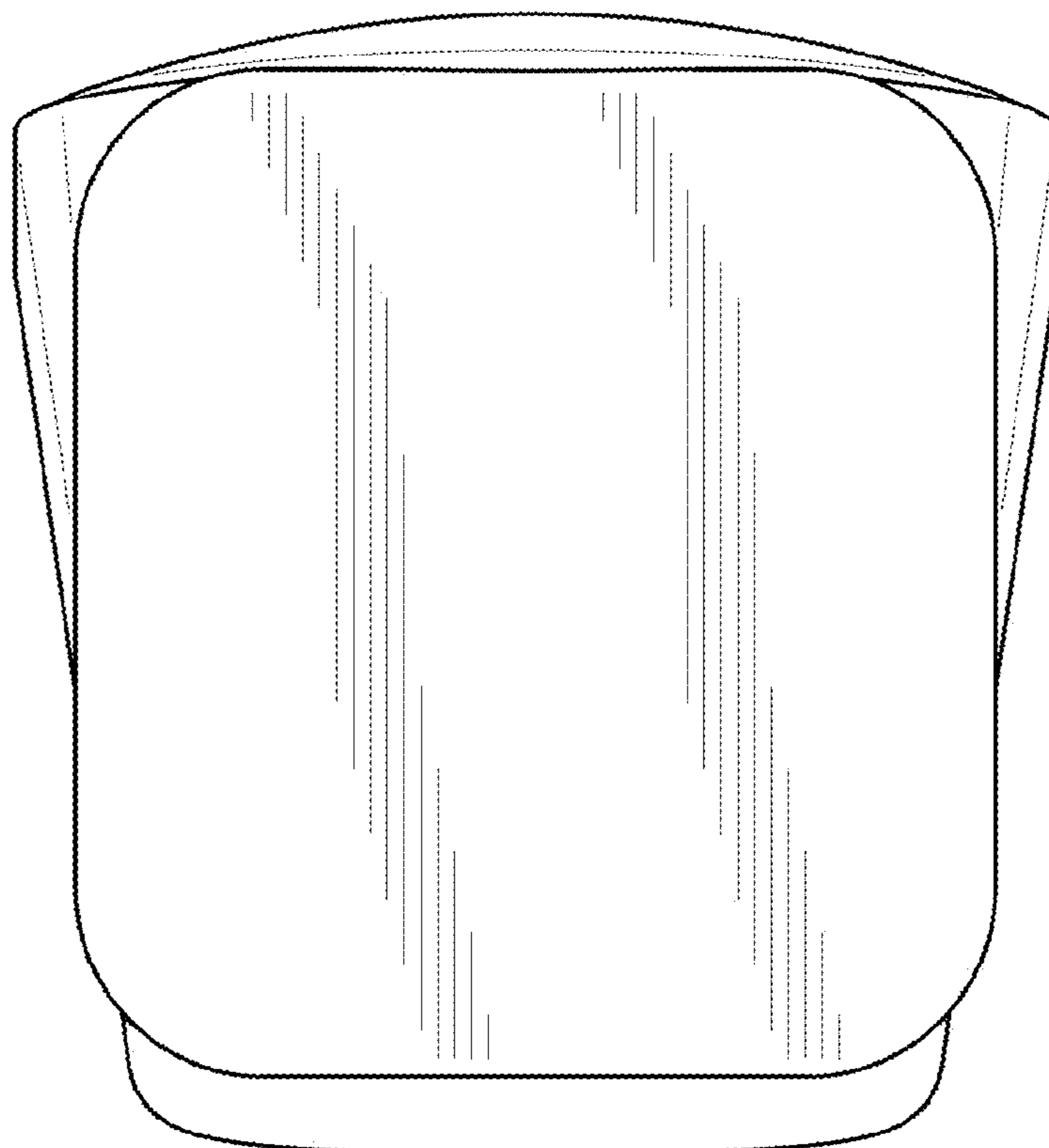


FIG. 4

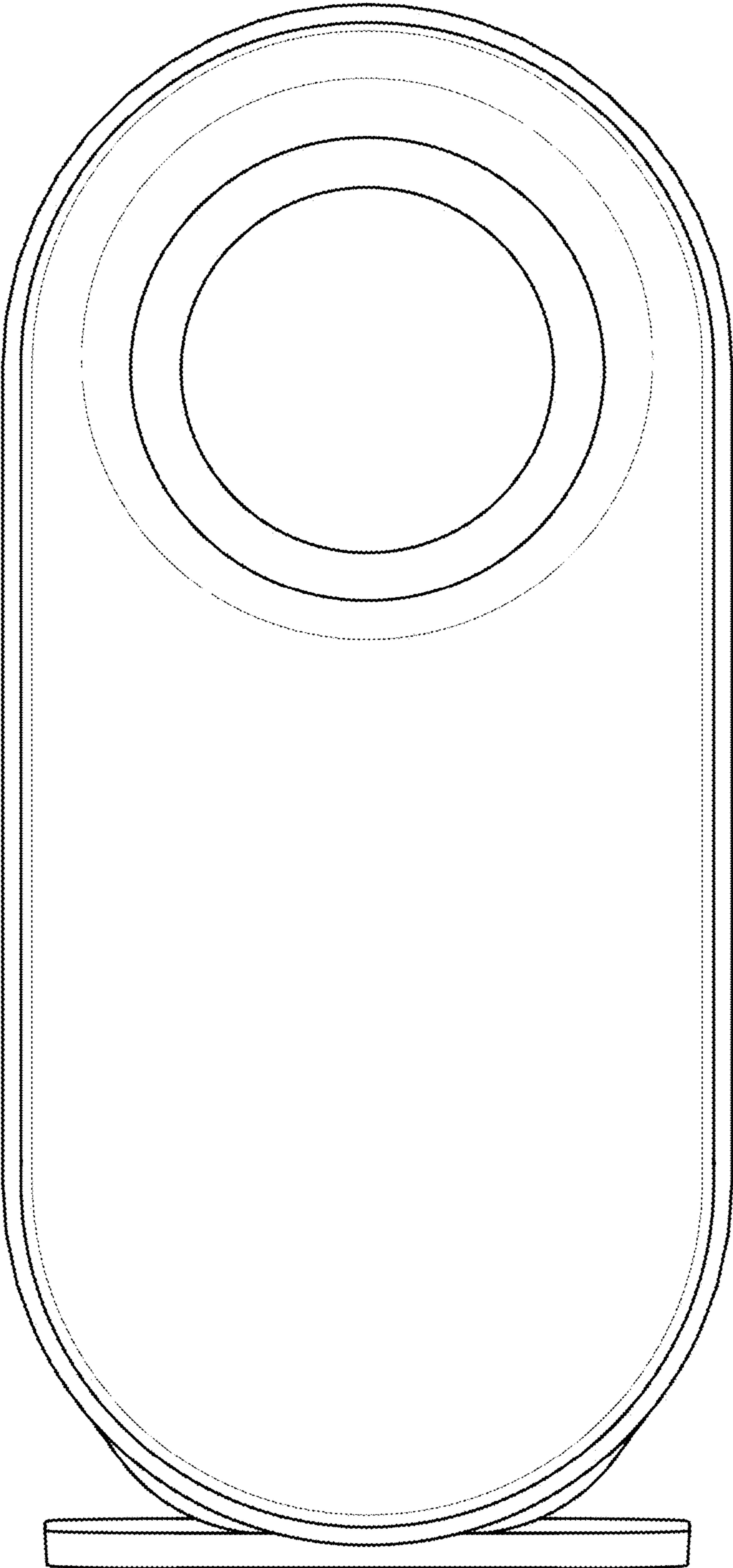


FIG. 5

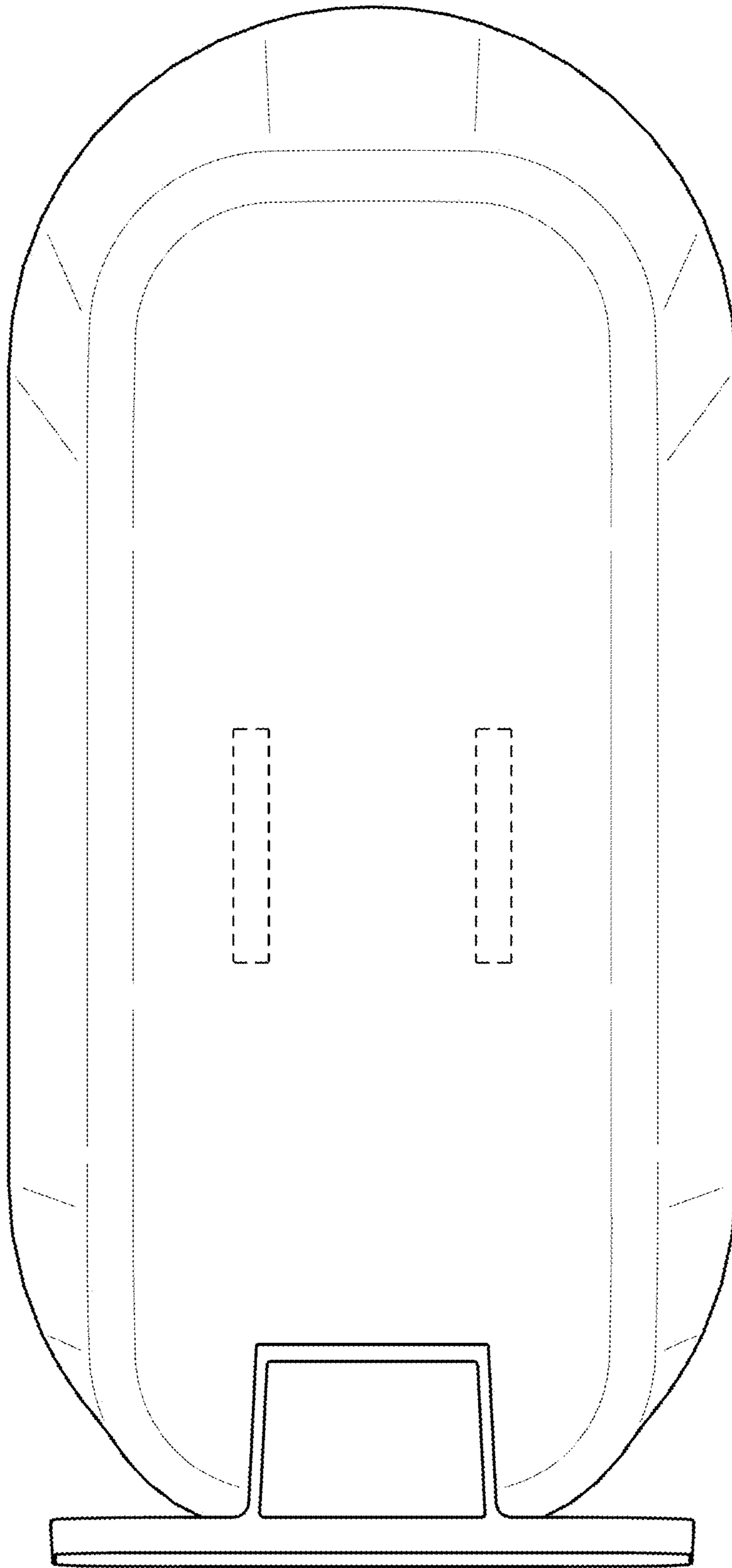


FIG. 6

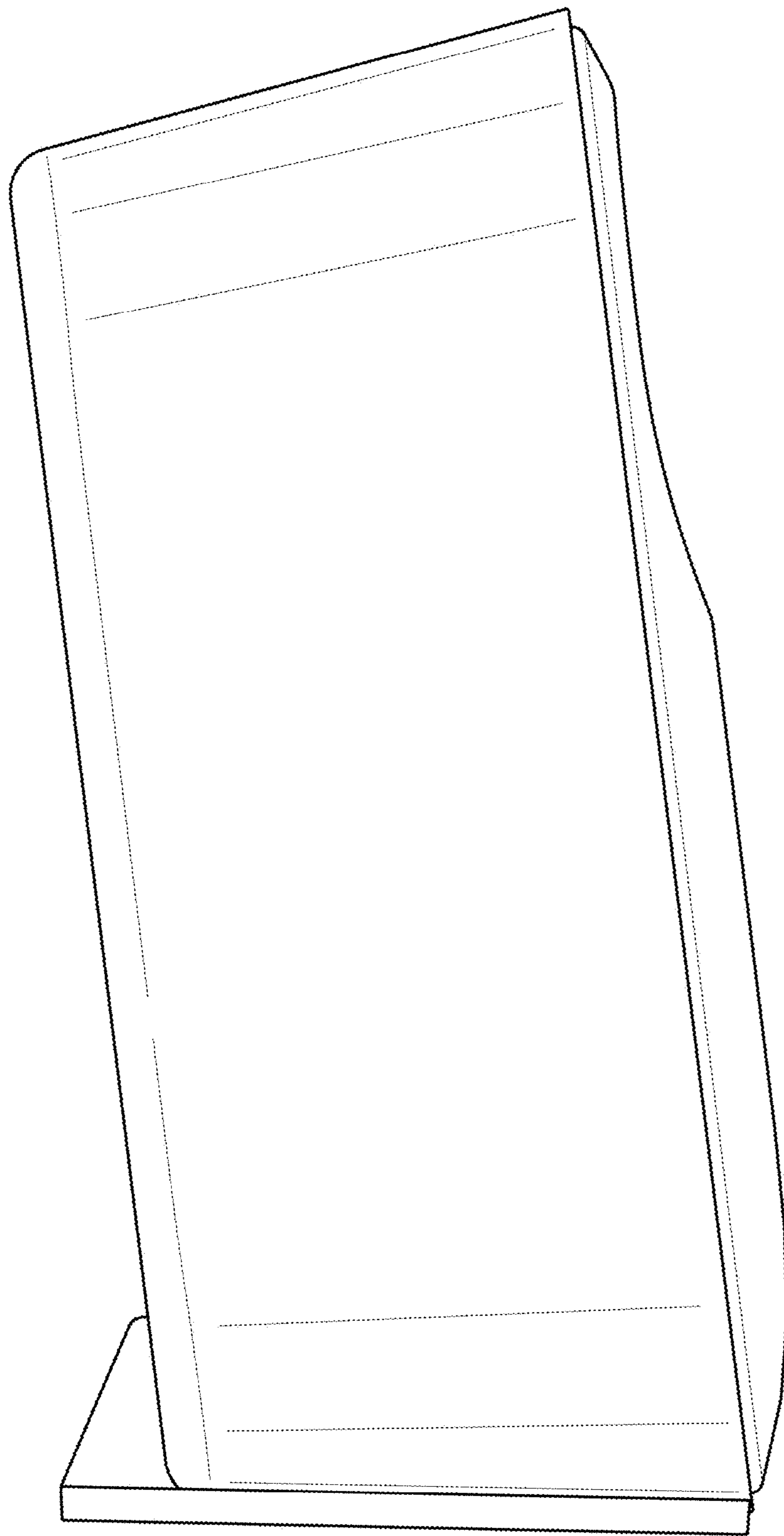


FIG. 7

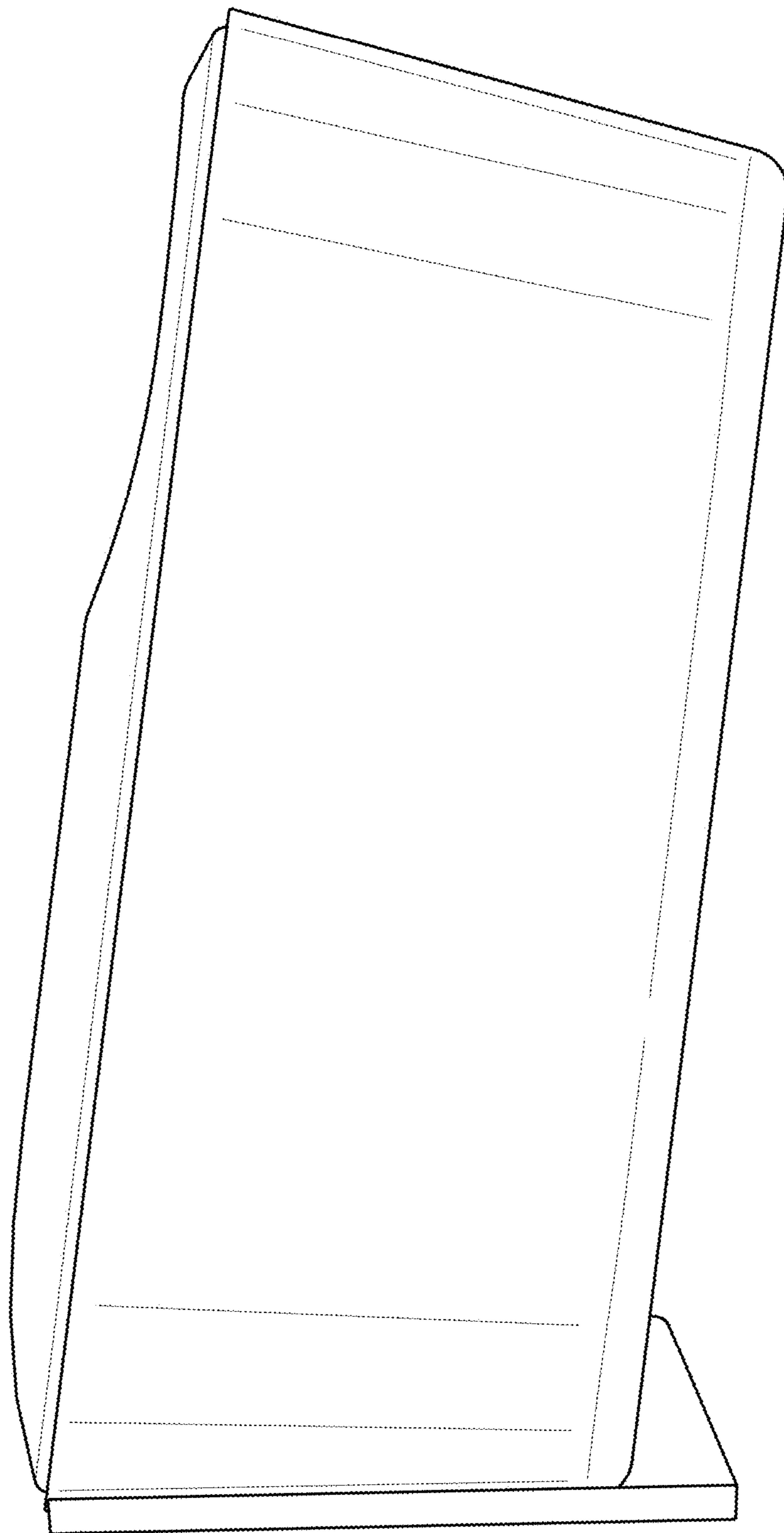


FIG. 8