

US00D976861S

(12) **United States Design Patent**  
**Cho**

(10) **Patent No.:** **US D976,861 S**

(45) **Date of Patent:** **\*\* Jan. 31, 2023**

- (54) **PORTABLE SOUND PLAYER**
- (71) Applicant: **SENSEE, Inc.**, Daejeon (KR)
- (72) Inventor: **Ji Yun Cho**, Daejeon (KR)
- (73) Assignee: **SENSEE, INC.**, Daejeon (KR)

D686,186 S \* 7/2013 Kaneko ..... D14/496  
 8,870,146 B2 \* 10/2014 Vogel ..... F16M 11/14  
 248/371  
 D836,569 S \* 12/2018 Kim ..... D14/240  
 D864,158 S \* 10/2019 Koh ..... D14/207  
 D895,101 S \* 9/2020 Zhao ..... D24/110  
 D907,705 S \* 1/2021 Soute ..... D21/333

\* cited by examiner

(\*\*) Term: **15 Years**

*Primary Examiner* — Khawaja Anwar

*Assistant Examiner* — Megan Tiana Rakos

(21) Appl. No.: **29/774,379**

(74) *Attorney, Agent, or Firm* — Birch, Stewart, Kolasch & Birch, LLP

(22) Filed: **Mar. 16, 2021**

(30) **Foreign Application Priority Data**

Sep. 22, 2020 (KR) ..... 30-2020-0045469

(51) **LOC (14) Cl.** ..... **14-01**

(52) **U.S. Cl.**  
USPC ..... **D14/203.2**

(58) **Field of Classification Search**  
USPC ..... D13/168; D14/356, 204, 209, 207, 211,  
D14/197, 203.1, 203.3, 333, 168;  
D15/199; D21/578, 630, 659; D24/110  
CPC ..... H04R 9/06; H04R 1/2873; H04R 1/026  
See application file for complete search history.

(56) **References Cited**

**U.S. PATENT DOCUMENTS**

D626,517 S \* 11/2010 Yano ..... D13/168  
 D627,744 S \* 11/2010 Yano ..... D13/168

(57) **CLAIM**

The ornamental design for a portable sound player, as shown and described.

**DESCRIPTION**

FIG. 1 is a front, right perspective view of a portable sound player showing my new design;  
 FIG. 2 is a front view thereof;  
 FIG. 3 is a rear view thereof;  
 FIG. 4 is a left side view thereof;  
 FIG. 5 is a right side view thereof;  
 FIG. 6 is a top plan view thereof; and,  
 FIG. 7 is a bottom plan view thereof.

The broken lines in the figures depict portions of the portable sound player that form no part of the claimed design.  
 The Bluetooth symbol in the figures is a registered trademark of Bluetooth Sig, Inc.

**1 Claim, 7 Drawing Sheets**

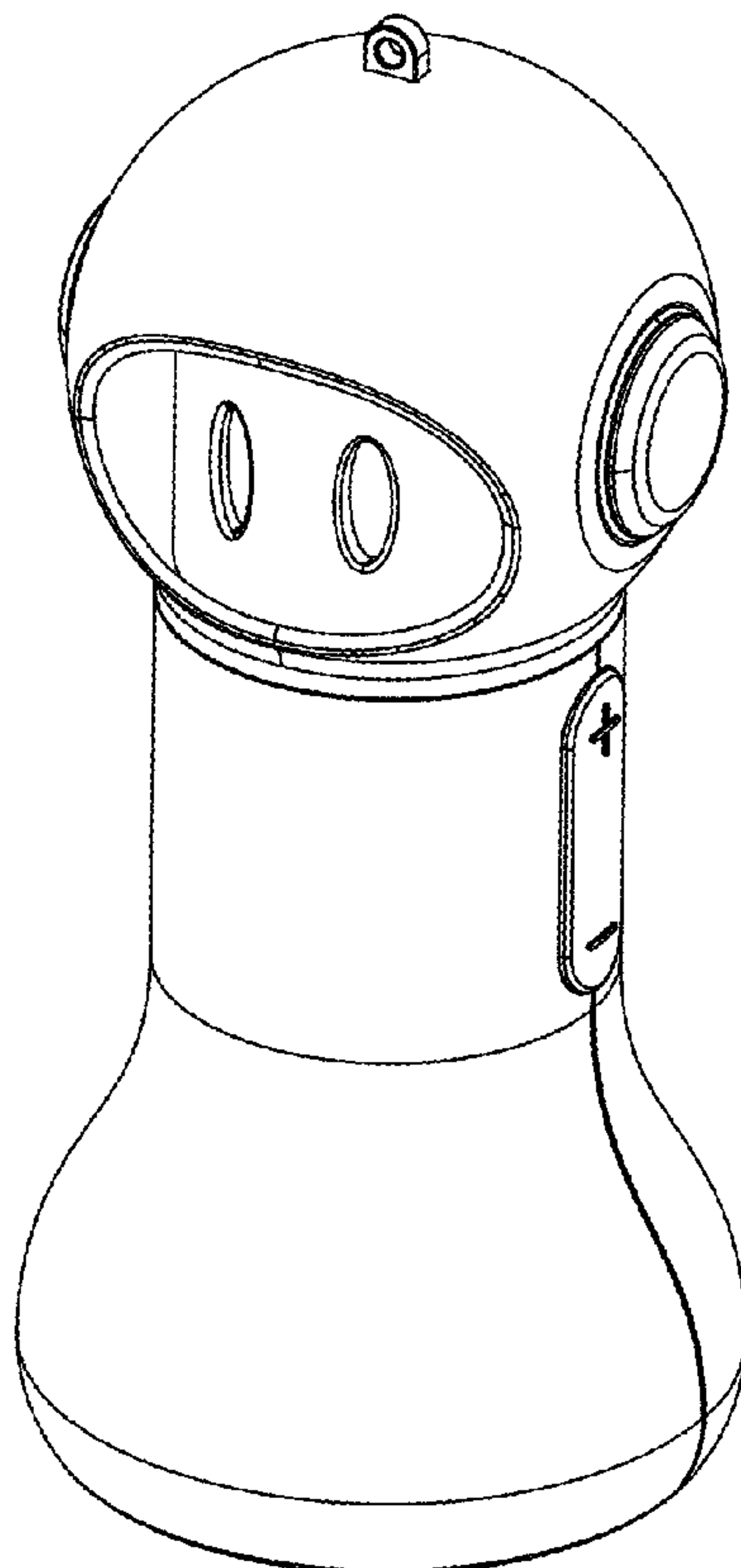


FIG. 1

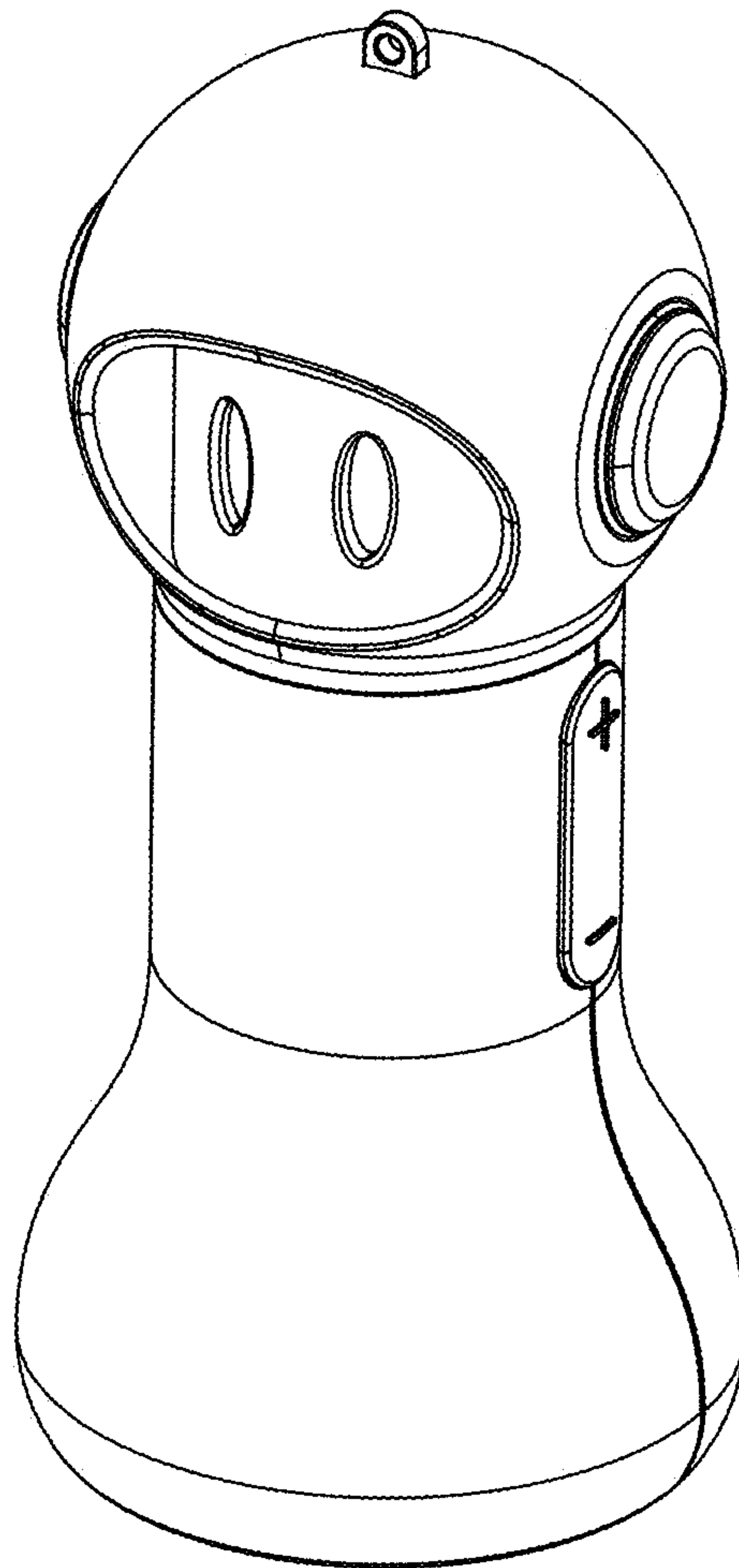


FIG. 2

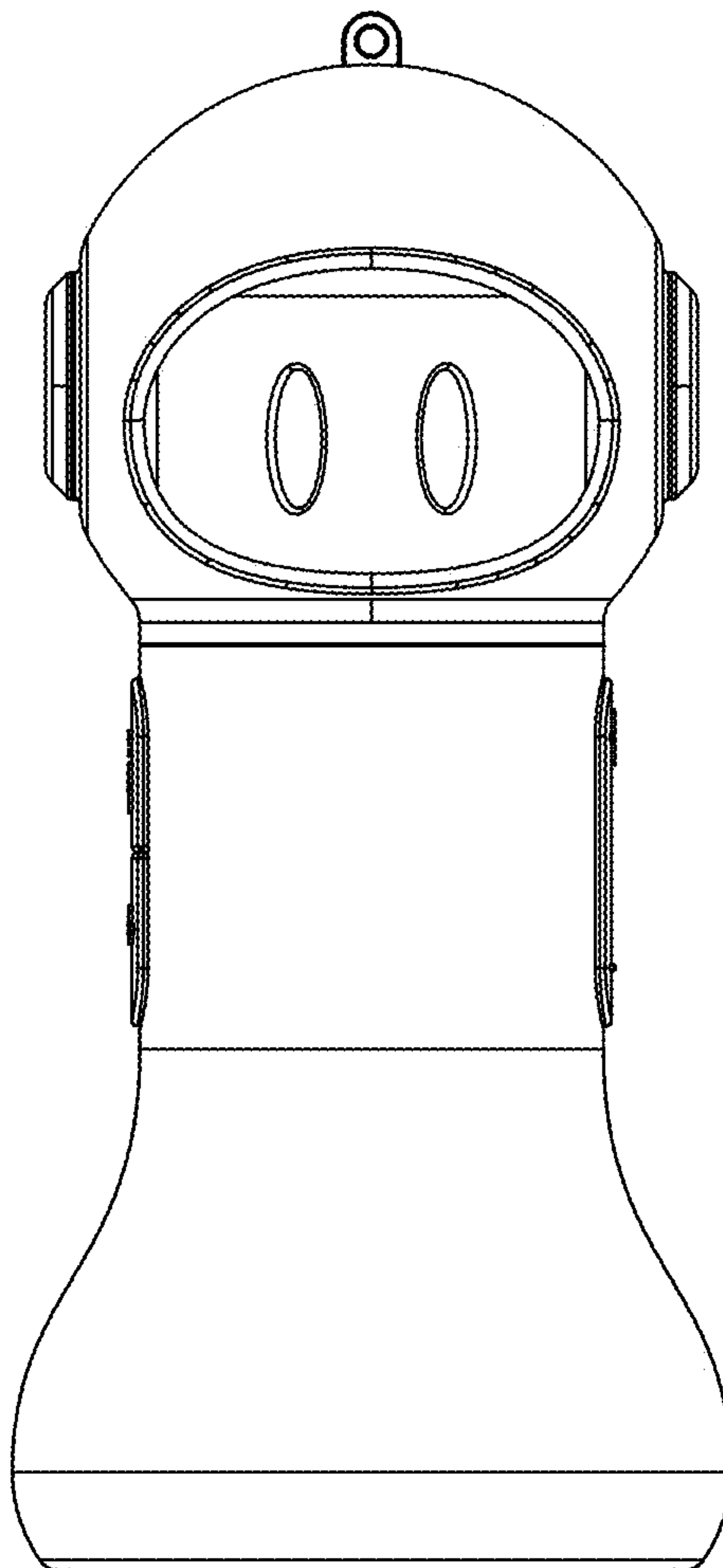


FIG. 3

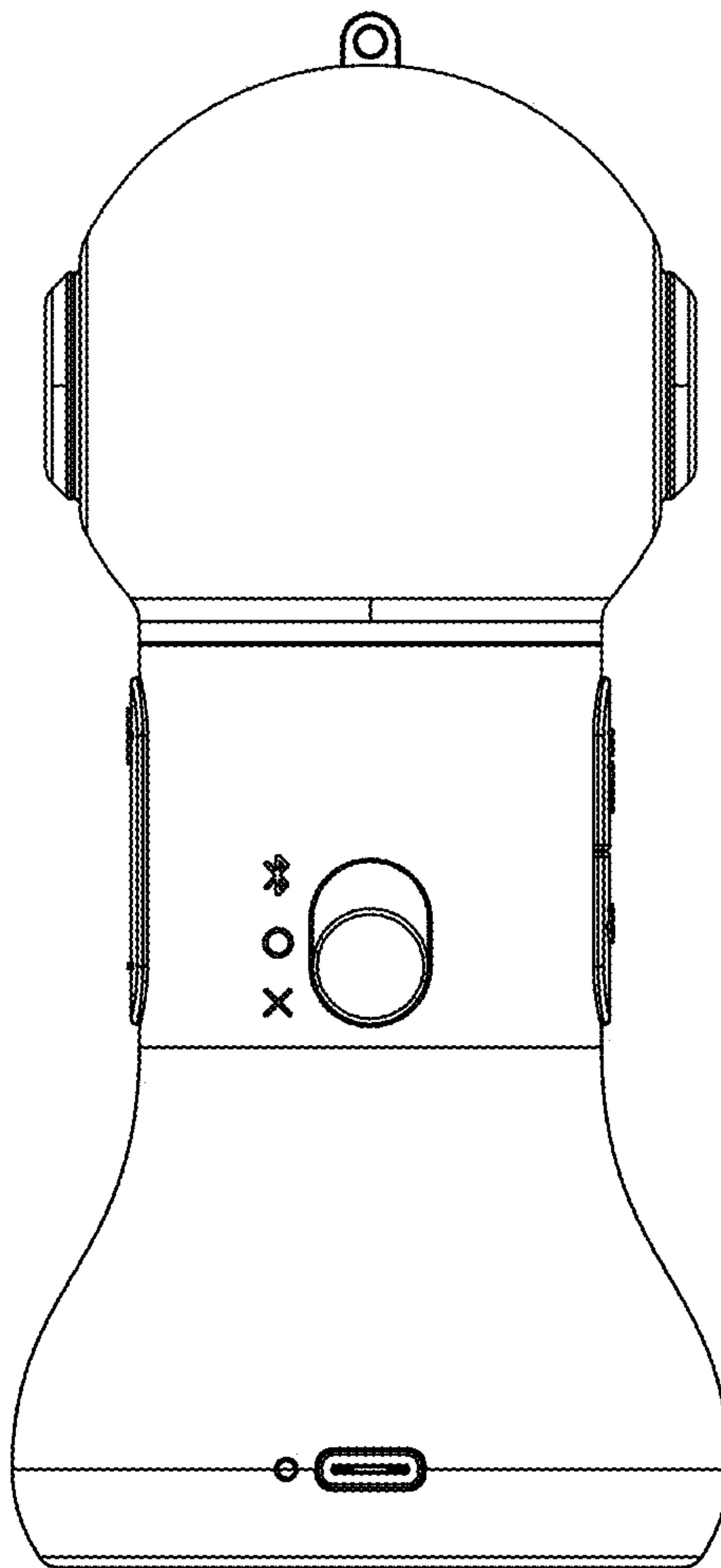


FIG. 4

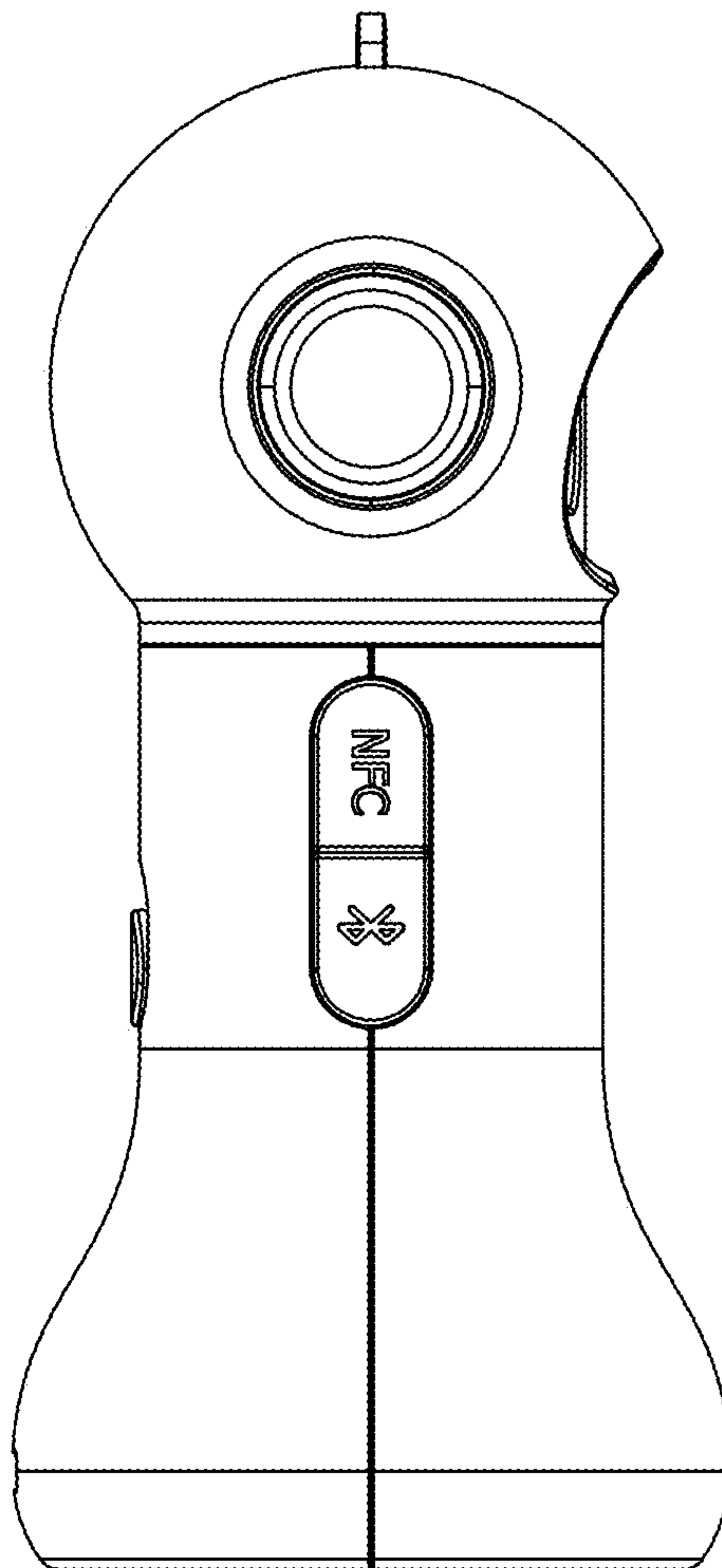


FIG. 5

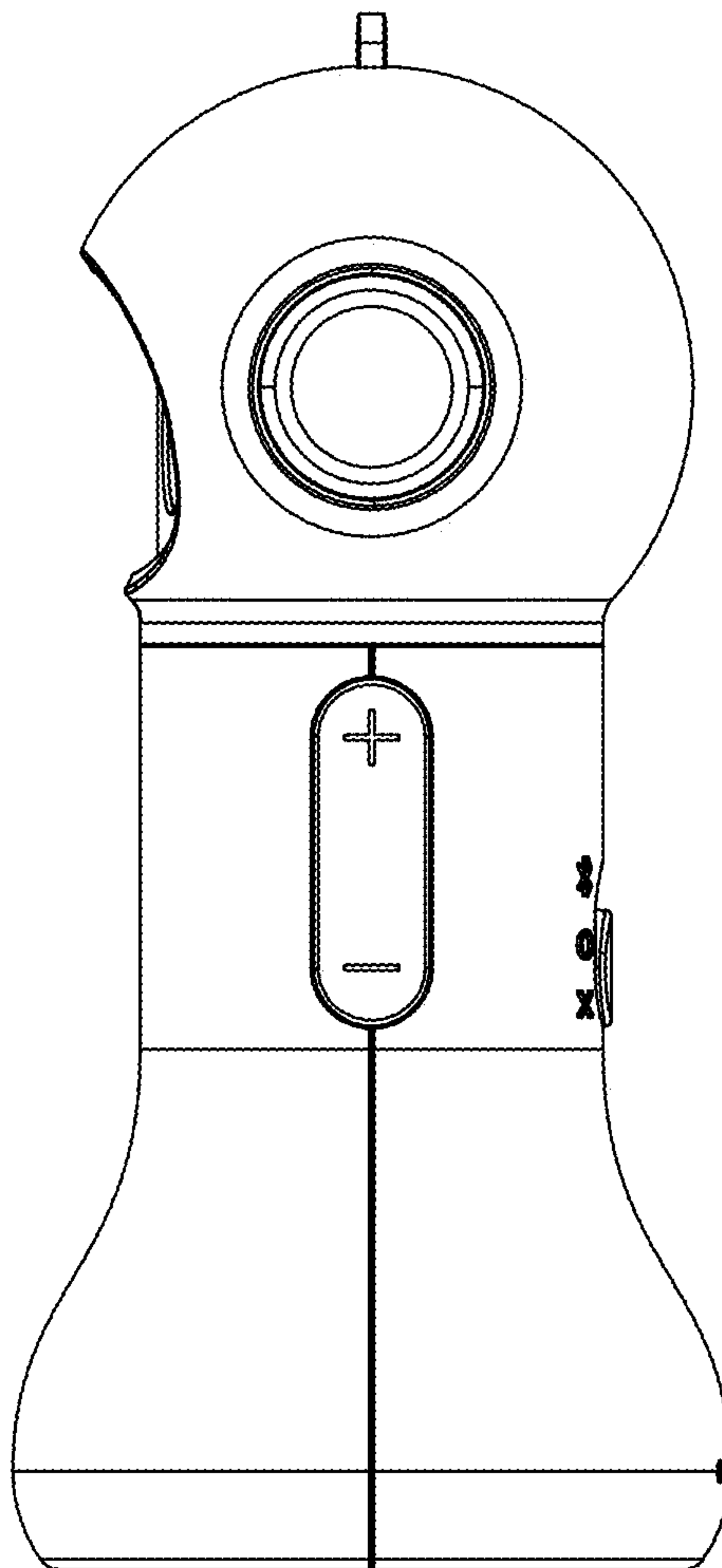


FIG. 6

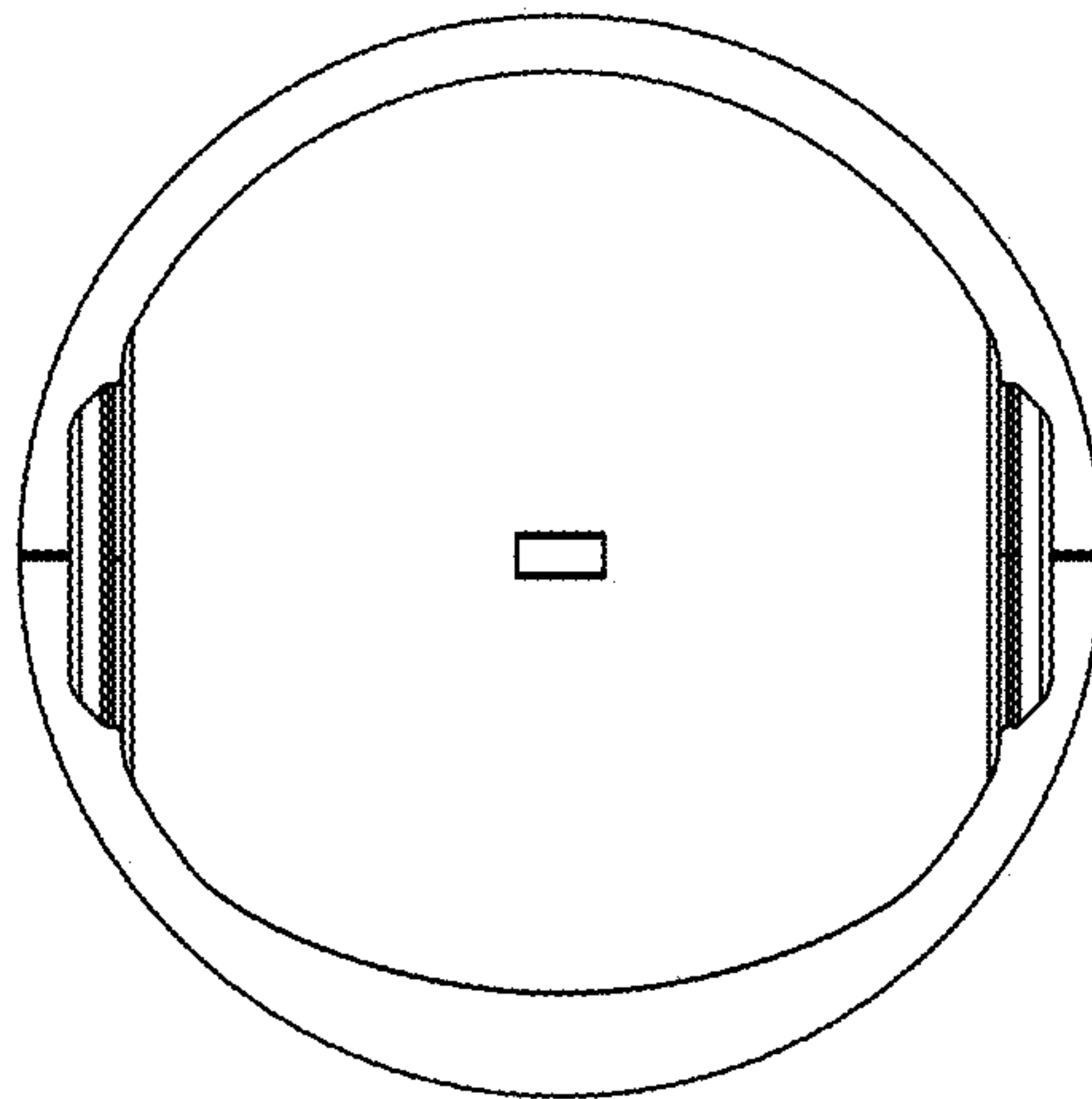


FIG. 7

