



US00D976857S

(12) **United States Design Patent** (10) **Patent No.:** **US D976,857 S**
Lee et al. (45) **Date of Patent:** **** Jan. 31, 2023**

(54) **STAND FOR TELEVISION RECEIVER**

(71) Applicant: **LG ELECTRONICS INC.**, Seoul (KR)
 (72) Inventors: **Nari Lee**, Seoul (KR); **Woosuk Park**, Seoul (KR); **Sangik Lee**, Seoul (KR)
 (73) Assignee: **LG ELECTRONICS INC.**, Seoul (KR)

(**) Term: **15 Years**

(21) Appl. No.: **35/512,560**

(22) Filed: **Mar. 16, 2021**

(80) **Hague Agreement Data**

Int. Filing Date: **Mar. 16, 2021**
 Int. Reg. No.: **DM/213446**
 Int. Reg. Date: **Mar. 16, 2021**
 Int. Reg. Pub. Date: **Sep. 17, 2021**

(30) **Foreign Application Priority Data**

Sep. 23, 2020 (KR) 30-2020-0045976

(51) **LOC (14) Cl.** **14-03**

(52) **U.S. Cl.**
 USPC **D14/126; D14/239; D14/452**

(58) **Field of Classification Search**
 USPC D14/125-129, 132, 300, 308, 310, 316,
 D14/336, 357, 371, 375-380, 451, 452,
 D14/239; D26/93

(Continued)

(56) **References Cited**

U.S. PATENT DOCUMENTS

D638,022 S * 5/2011 Kasuga D14/239
 D662,102 S * 6/2012 Derry D14/452

(Continued)

OTHER PUBLICATIONS

LG made a battery-powered TV that you can wheel around on a stand (LG StanbyME and Object tv), publication date Dec. 13, 2021, [online] URL: <https://www.theverge.com/2021/12/13/22832356/lg-stanby-me-portable-tv-objet-announced-design-specs> (Year: 2021).*

(Continued)

Primary Examiner — L. A. Grabenstetter

(74) *Attorney, Agent, or Firm* — Birch, Stewart, Kolasch & Birch, LLP

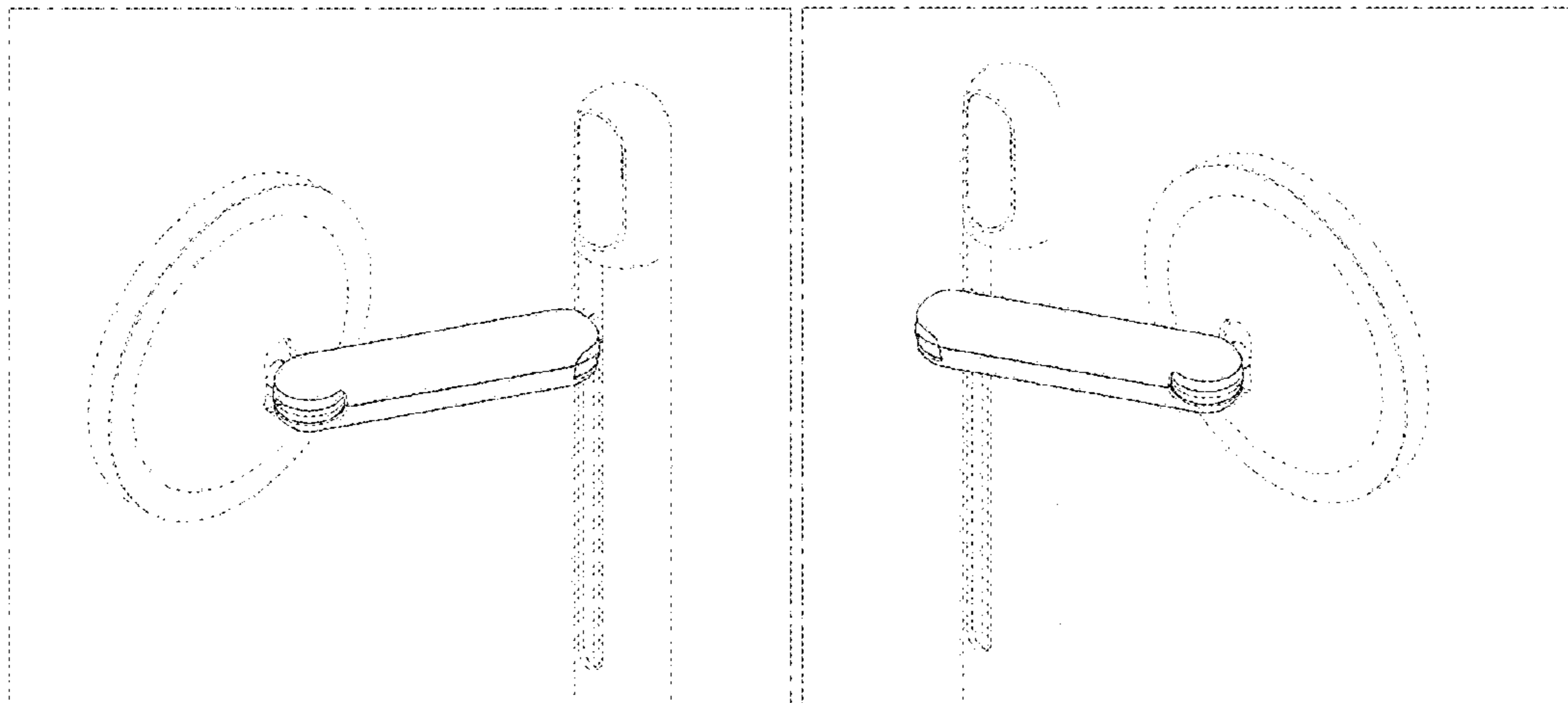
(57) **CLAIM**

The ornamental design for a stand for television receiver, as shown and described.

DESCRIPTION

1. Stand for television receiver
- 1.1 : Right side perspective view
- 1.2 : Second right side perspective view
- 1.3 : Front view
- 1.4 : Left view
- 1.5 : Right view
- 1.6 : Top view
- 1.7 : Enlarged right side perspective view, taken from reproduction 1.1
- 1.8 : Exploded right side perspective view
- 1.9 : Rear view
- 1.10 : Bottom view
- 1.11 : Enlarged right side perspective view, showing the hinges in an alternate position
- 1.12 : Front view, showing the hinges in an alternate position
- 1.13 : Right view, showing the claimed design in an alternate position
- 1.14 : Top view, showing the claimed design in an alternate position
- 1.16 : Top view, showing the hinges in an alternate position
- 1.17 : Front view, showing the hinges in an alternate position
- 1.18 : Front view, showing the hinges in an alternate position
- 1.19 : Right side perspective view, showing the claimed design in an alternate position
- 1.20 : Right side perspective view, showing the claimed design in an alternate position

(Continued)



1.21 : Right side perspective view, showing the claimed design in an alternate position

1.22 : Right side perspective view, showing the claimed design in an alternate position

1.23 : Right side perspective view, showing the claimed design in an alternate position

The broken lines indicate portions of the article that form no part of the claimed design.

1 Claim, 22 Drawing Sheets

(58) Field of Classification Search

CPC G06F 1/1601; G06F 1/1605; G06F 1/162
See application file for complete search history.

(56) References Cited

U.S. PATENT DOCUMENTS

D681,647 S *	5/2013	Choi	D14/451
D688,674 S *	8/2013	Lau	D14/452
D702,244 S *	4/2014	Seo	D14/451
D704,716 S *	5/2014	Ho	D14/451

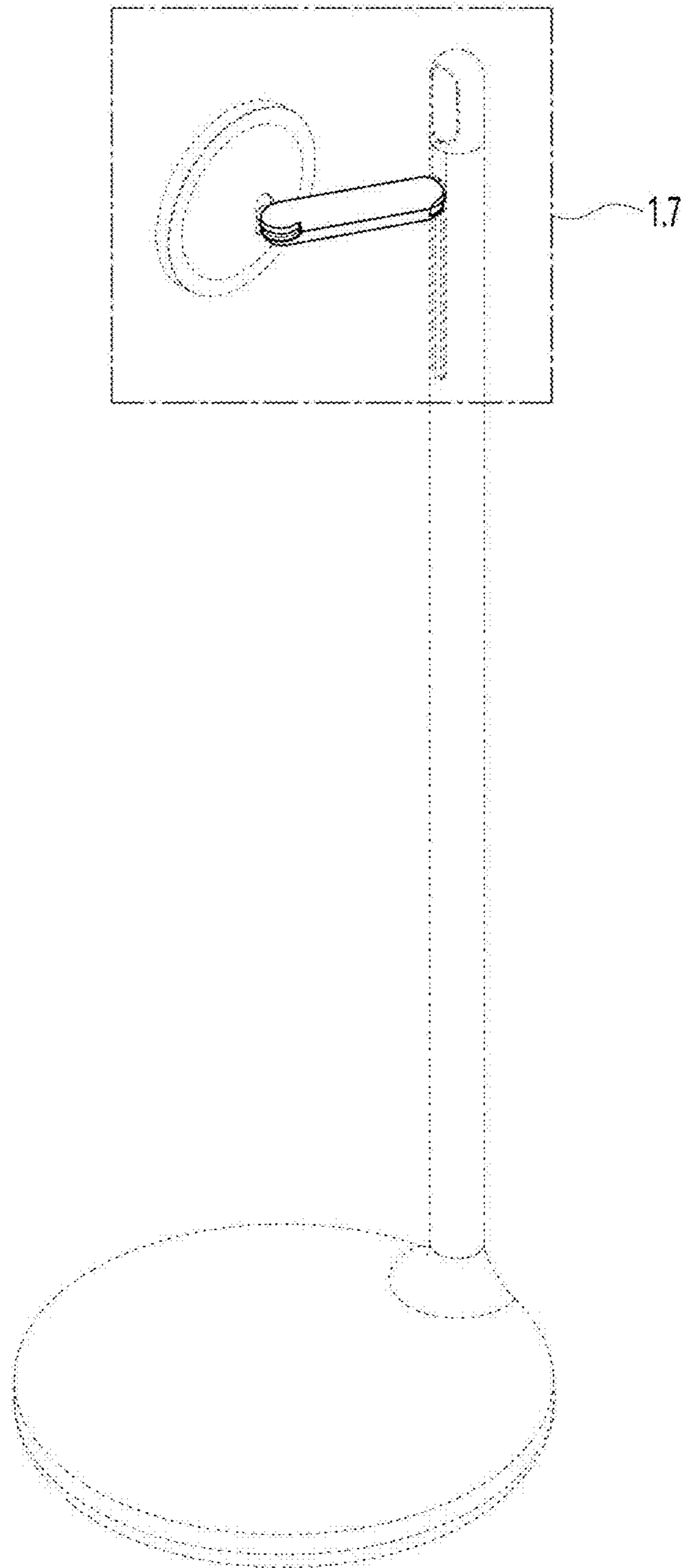
D753,128 S *	4/2016	Anderson	D14/452
D776,668 S *	1/2017	Wallace	D6/681.1
D792,418 S *	7/2017	Stener	D14/451
D805,522 S *	12/2017	Won	D14/451
D807,895 S *	1/2018	Won	D14/452
D822,032 S *	7/2018	Kwon	D14/451
D824,918 S *	8/2018	Roarty	D14/452
D848,444 S *	5/2019	Jung	D14/452
D849,013 S *	5/2019	Monsalve	D14/452
D879,792 S *	3/2020	Glickstein	D14/452
D879,793 S *	3/2020	Glickstein	D14/452
D895,634 S *	9/2020	Carrasquillo	D14/452
D920,340 S *	5/2021	Shu	D14/452
D931,866 S *	9/2021	Ke	D14/451
D934,881 S *	11/2021	Yoo	D14/451
D939,516 S *	12/2021	You	D14/452
D941,300 S *	1/2022	Huang	D14/452
D949,158 S *	4/2022	Ryu	D14/451
D950,532 S *	5/2022	Lee	D14/239

OTHER PUBLICATIONS

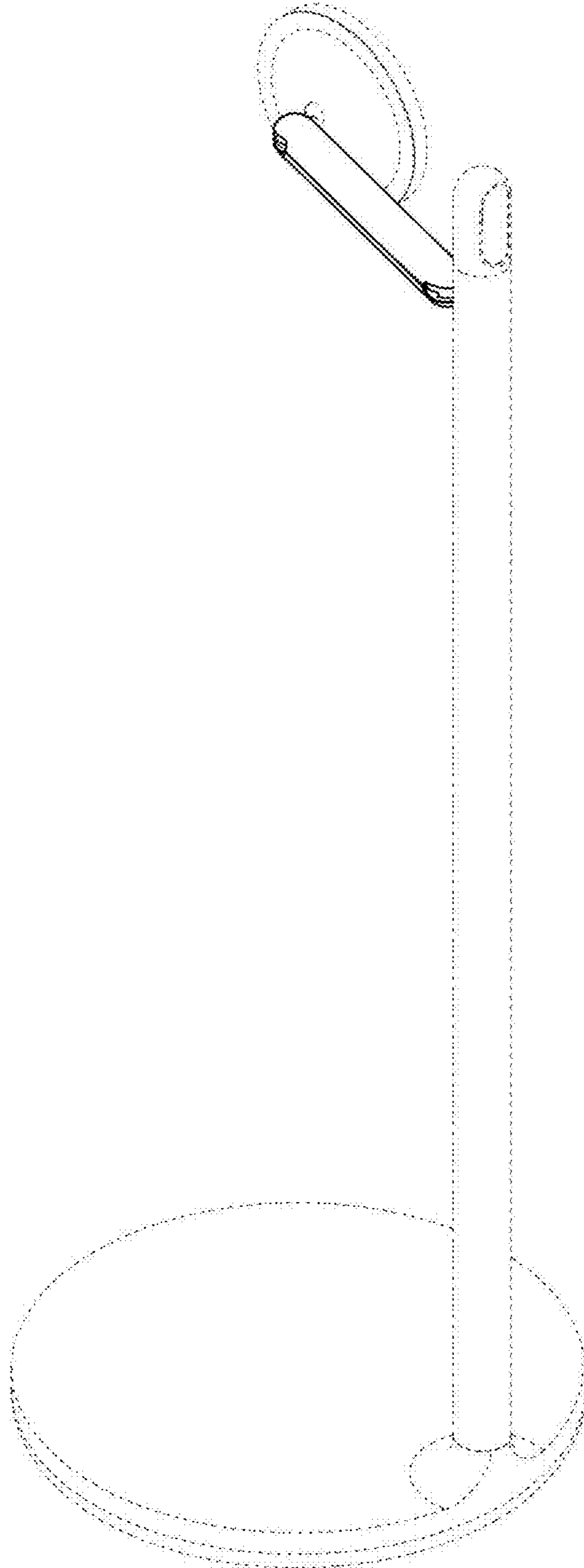
Cavus high end television brushed steel, publication date Apr. 22, 2016, [online] URL: <https://www.amazon.co.uk/Cavus-Fm120-50S-STAND-Stainless/dp/B01ENHQ3XI> (Year: 2016).*

* cited by examiner

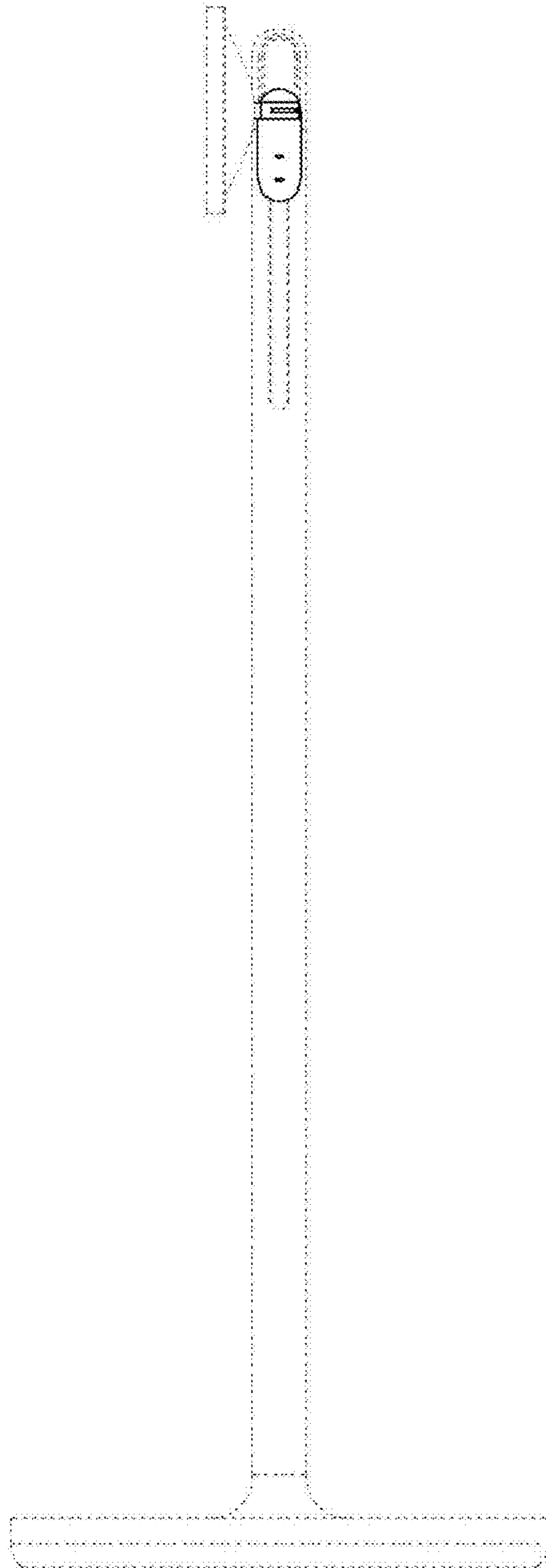
1.1



1.2



1.3



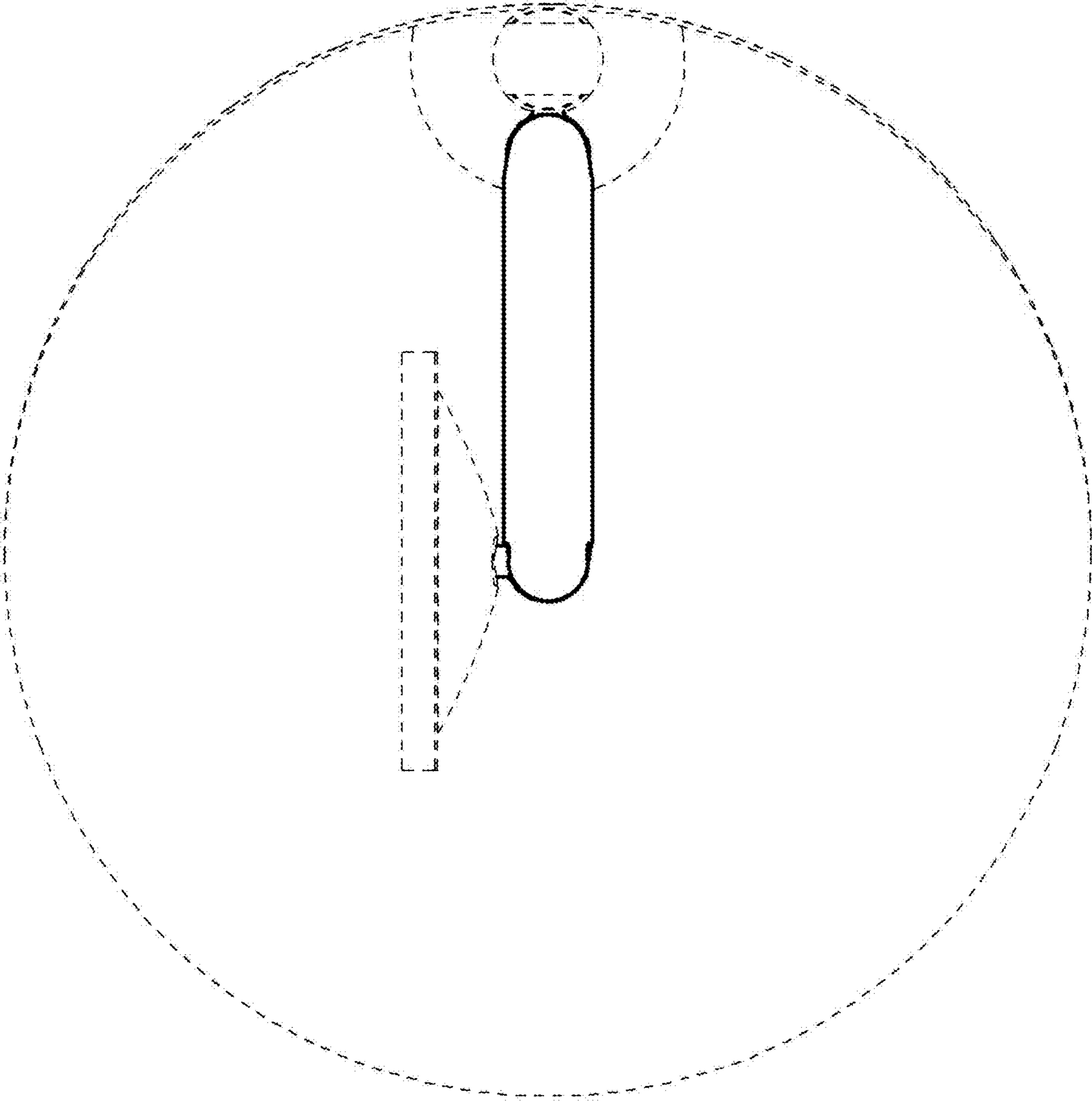
1.4



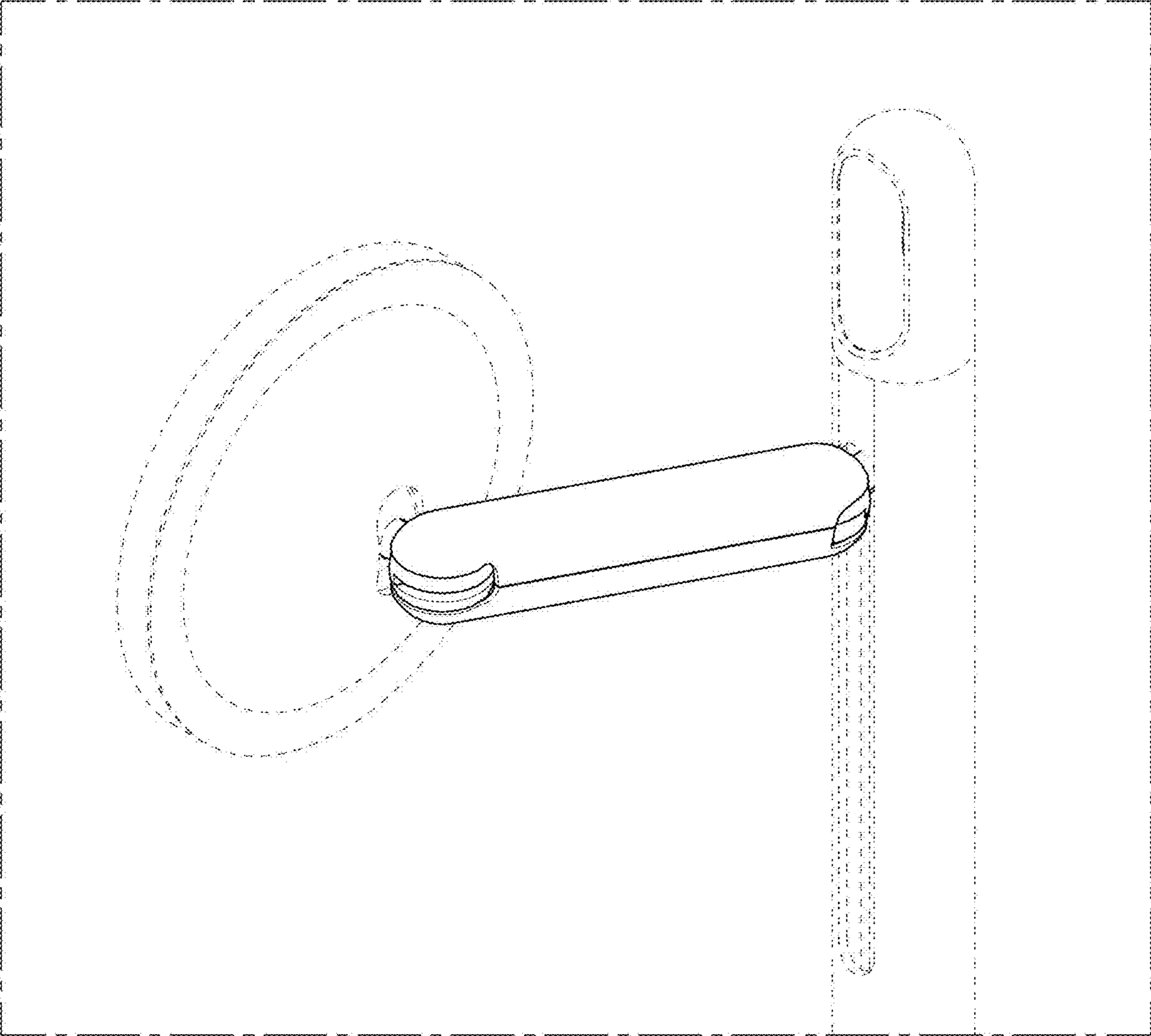
1.5



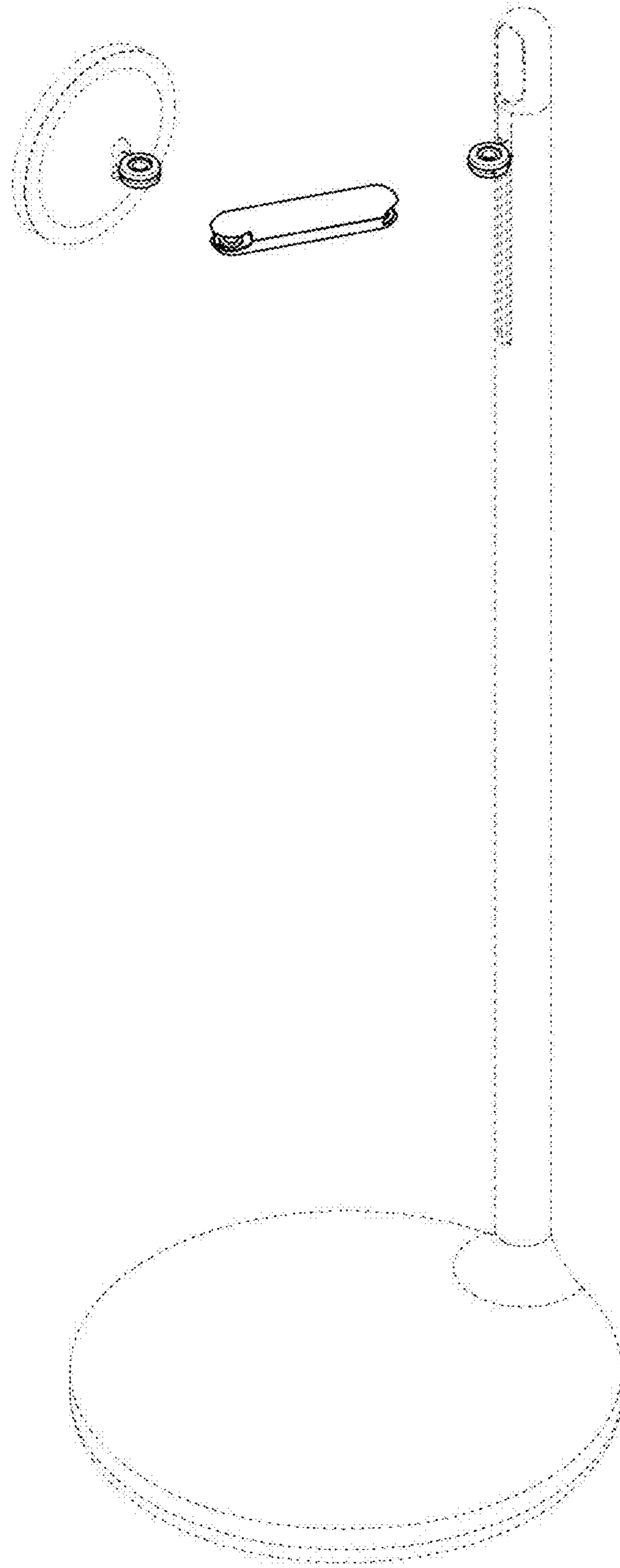
1.6



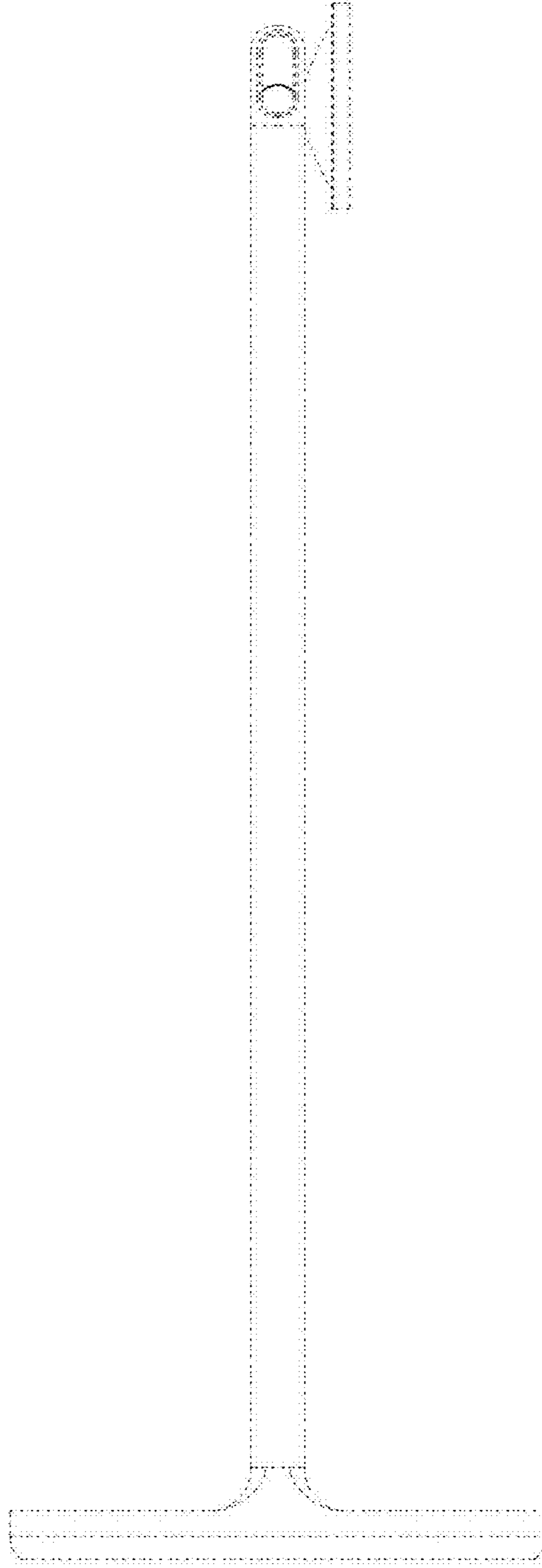
1.7



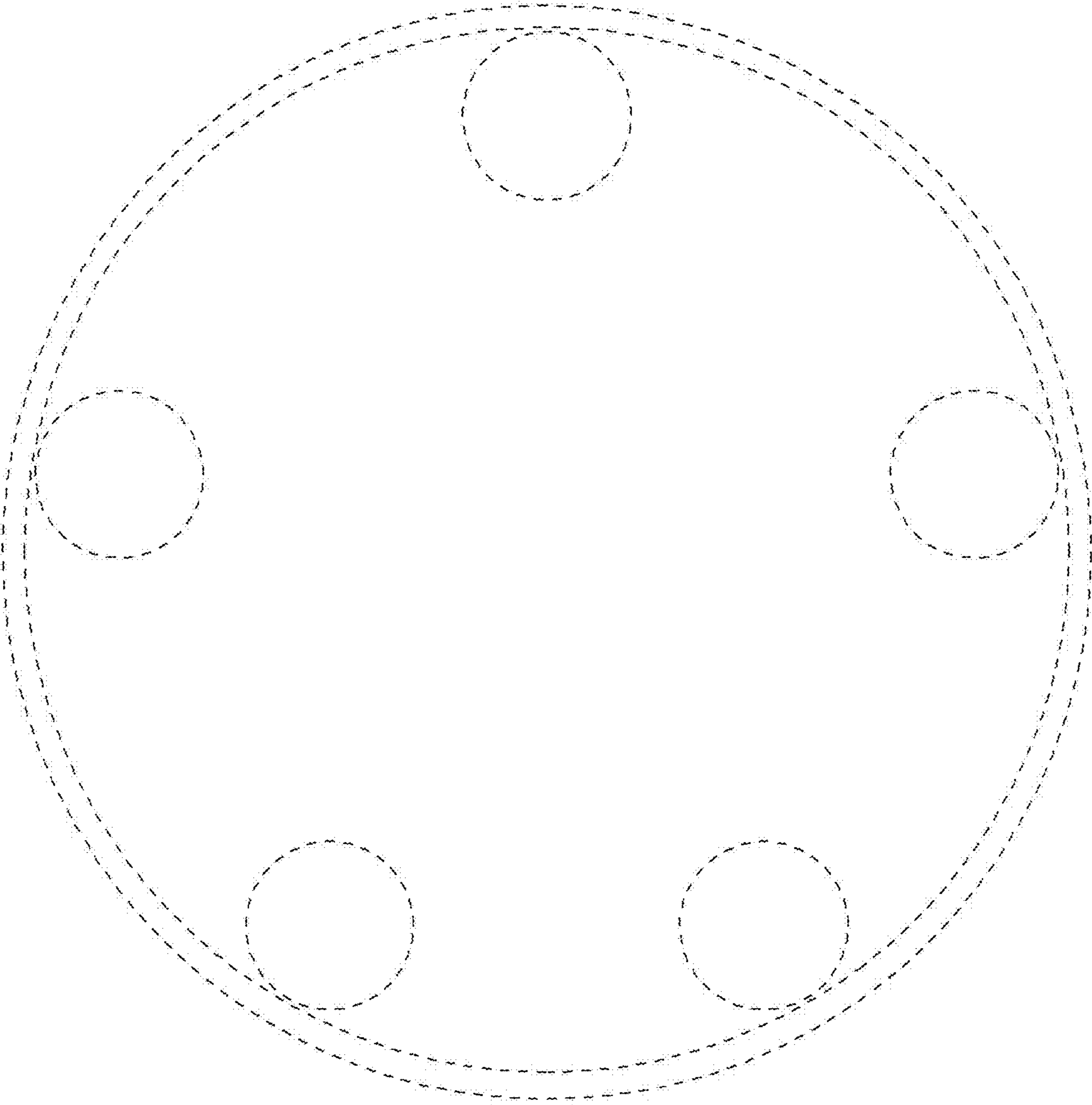
1.8



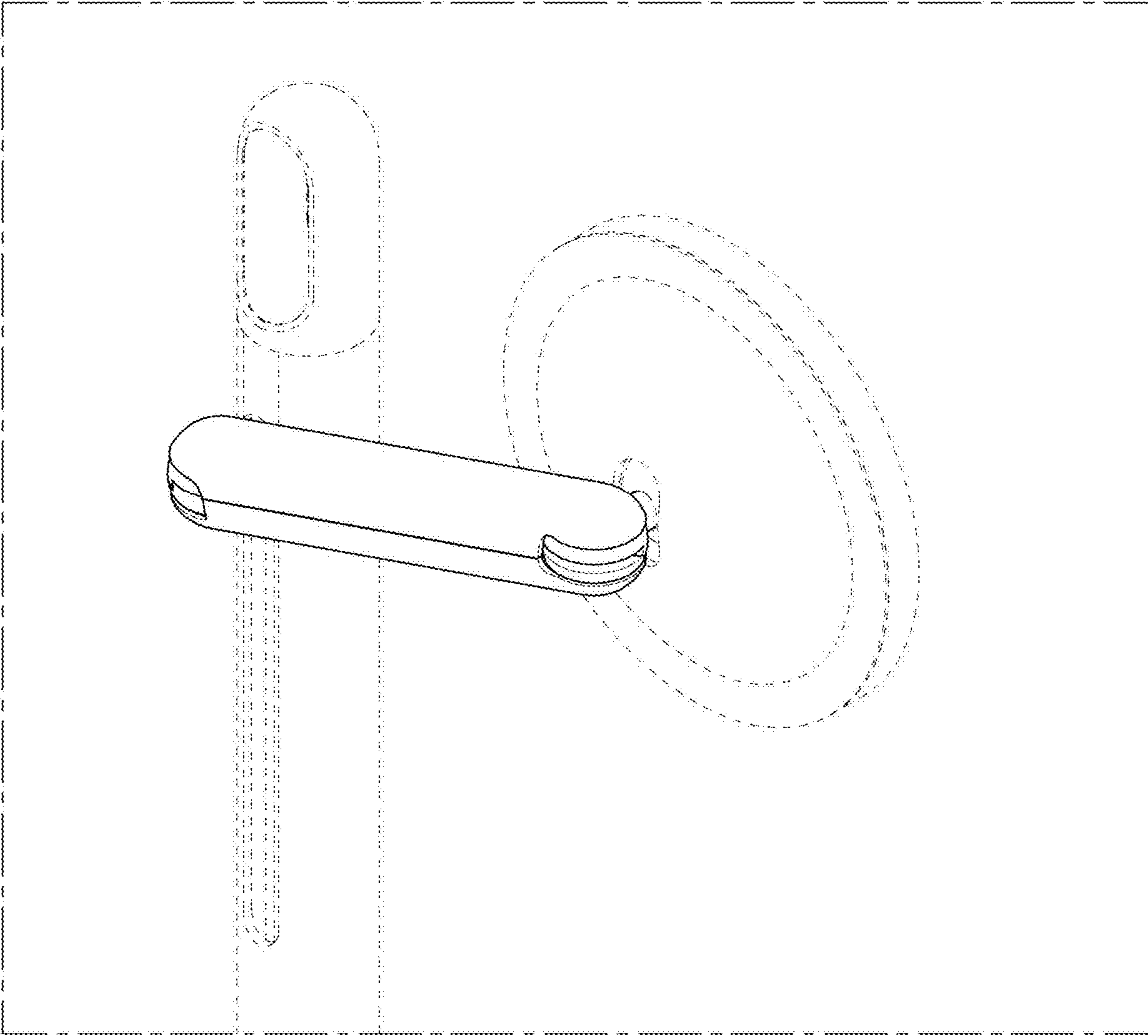
1.9



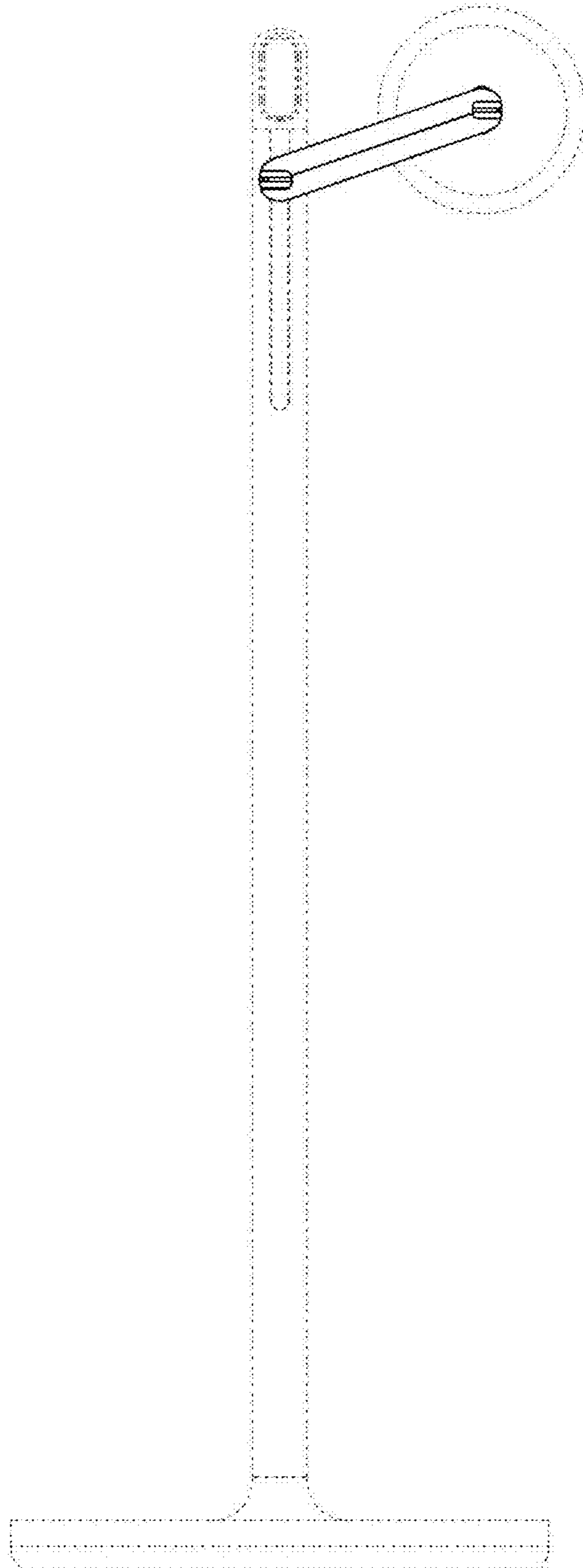
1.10



1.11



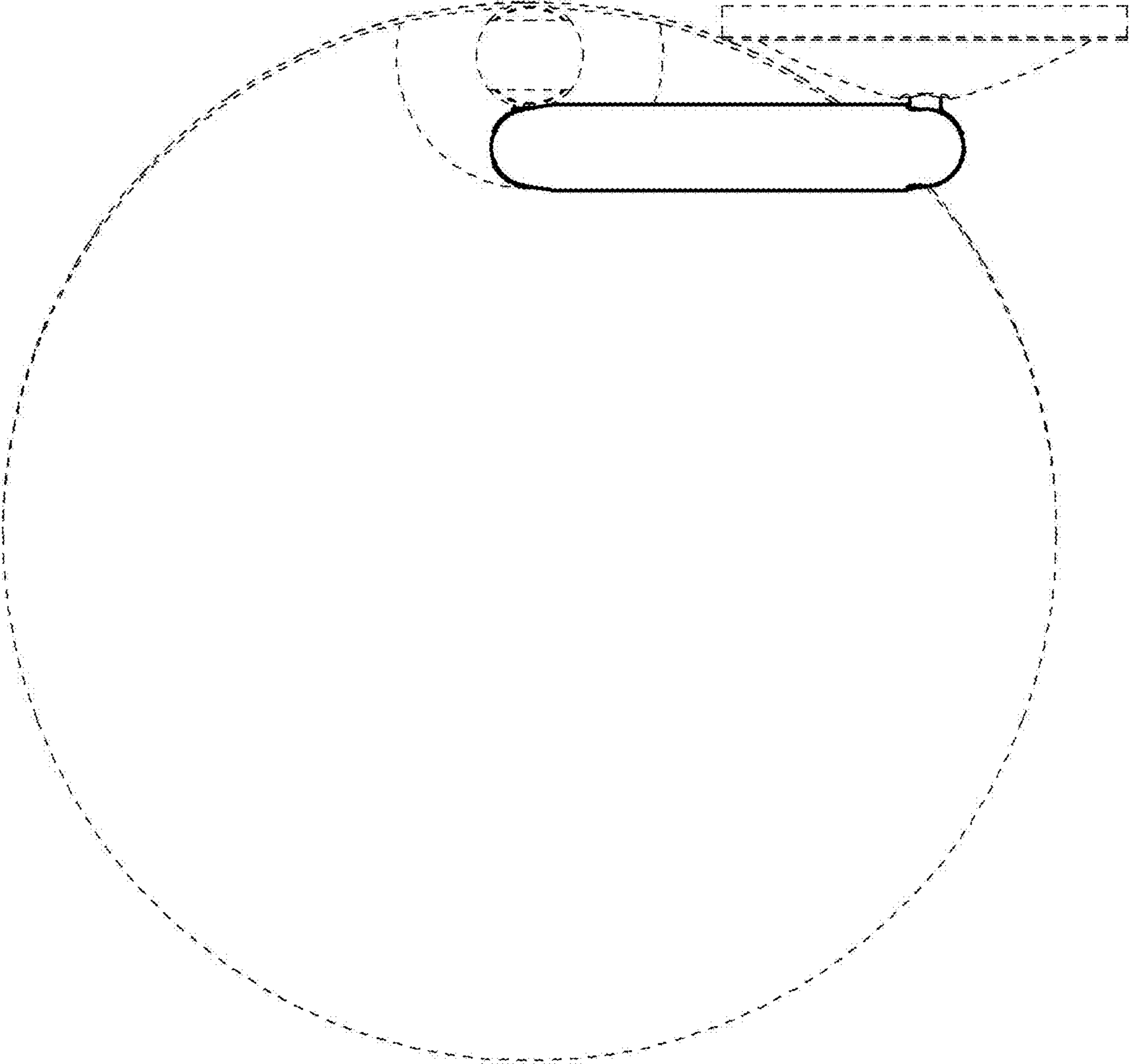
1.12



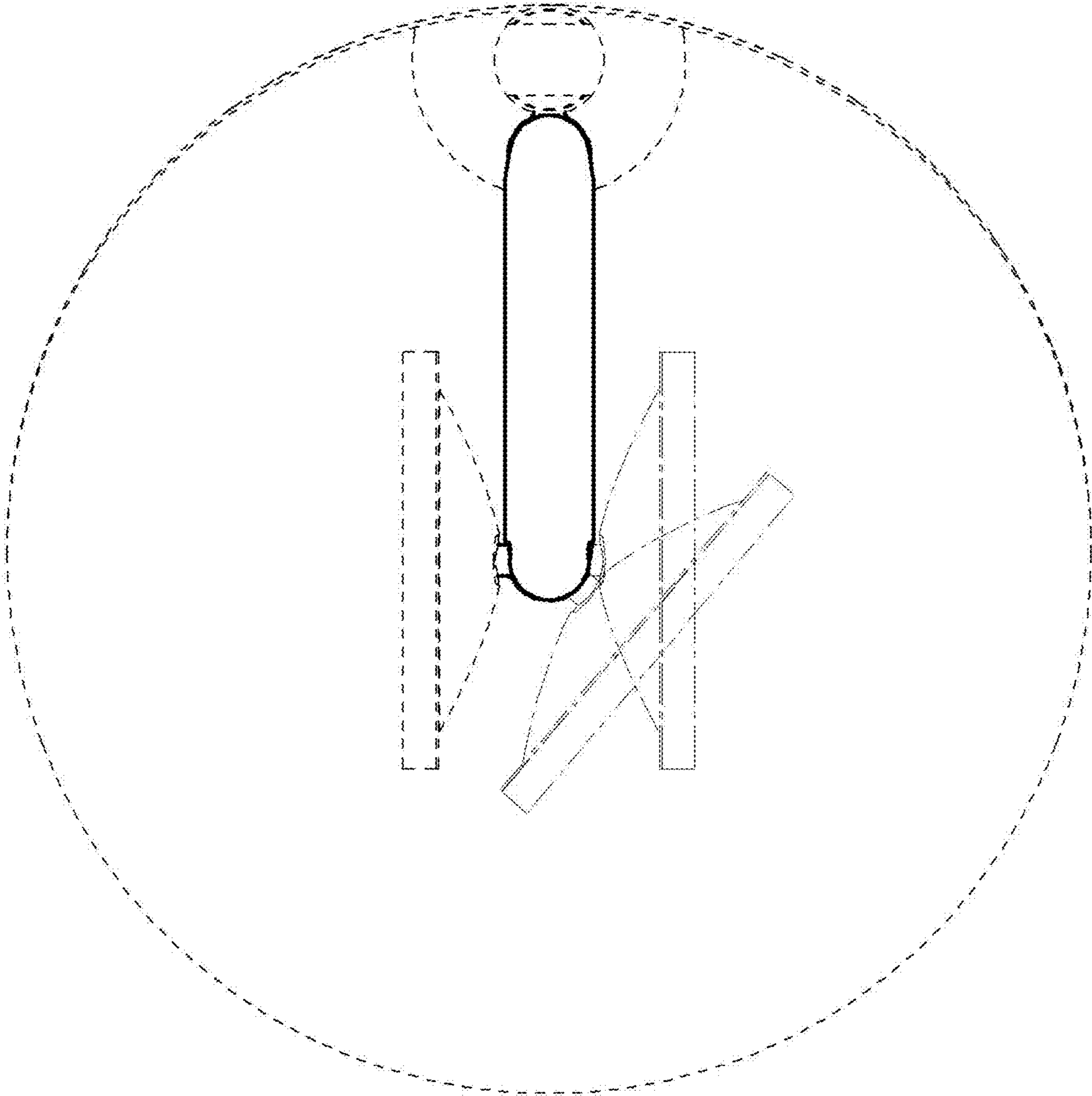
1.13



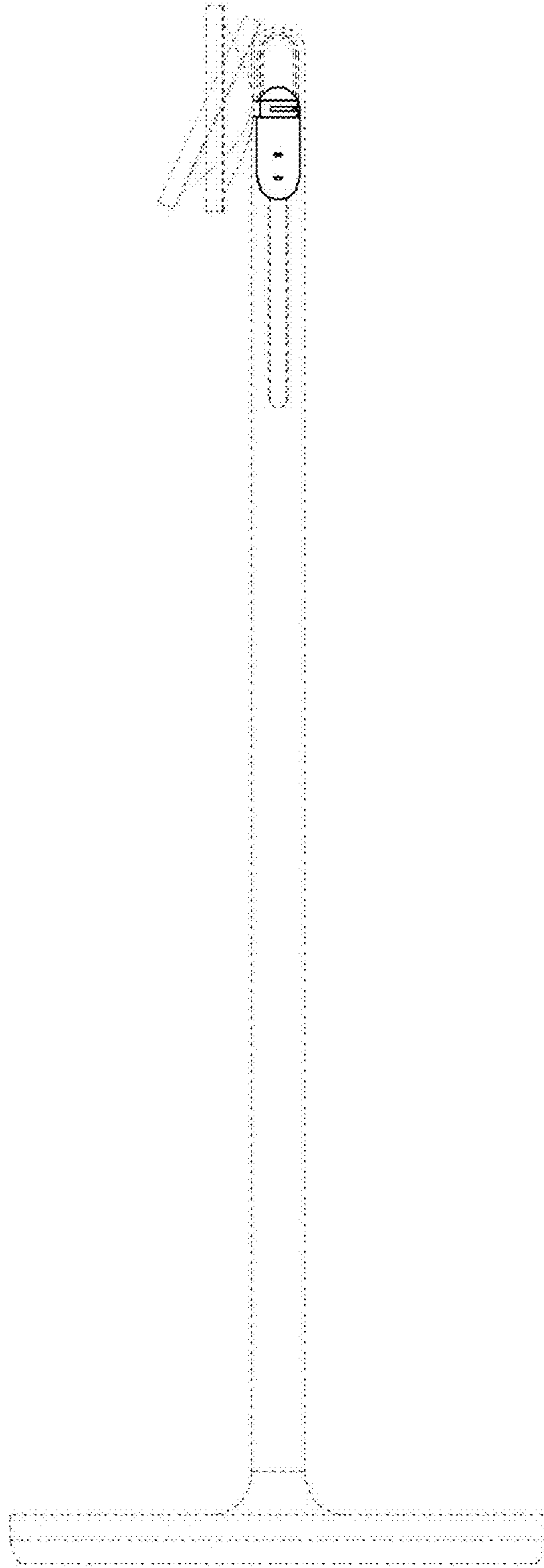
1.14



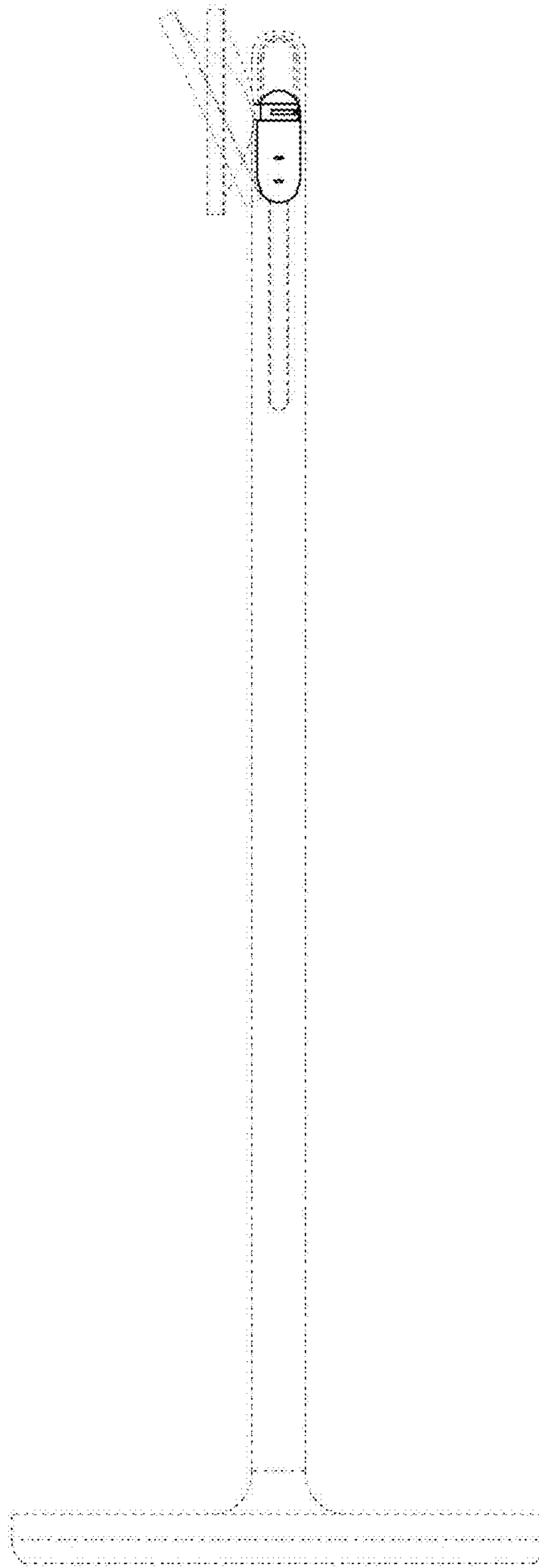
1.16



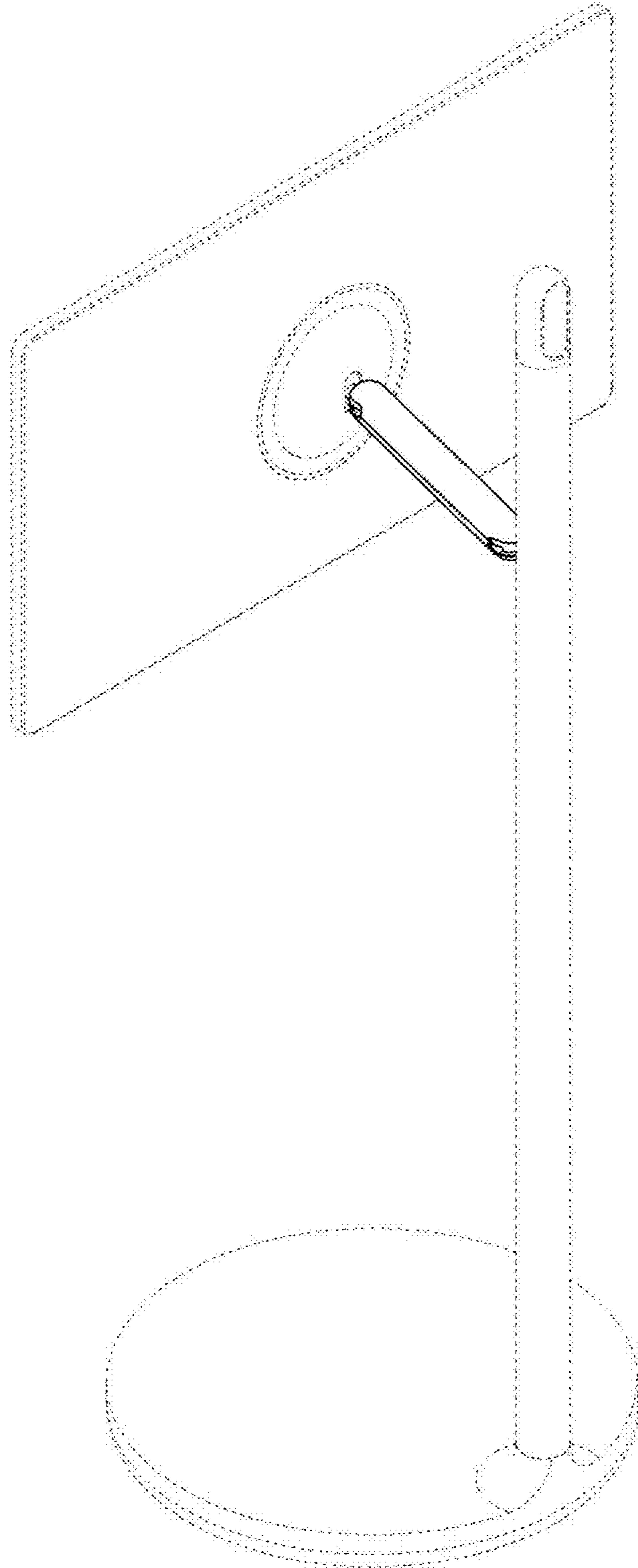
1.17



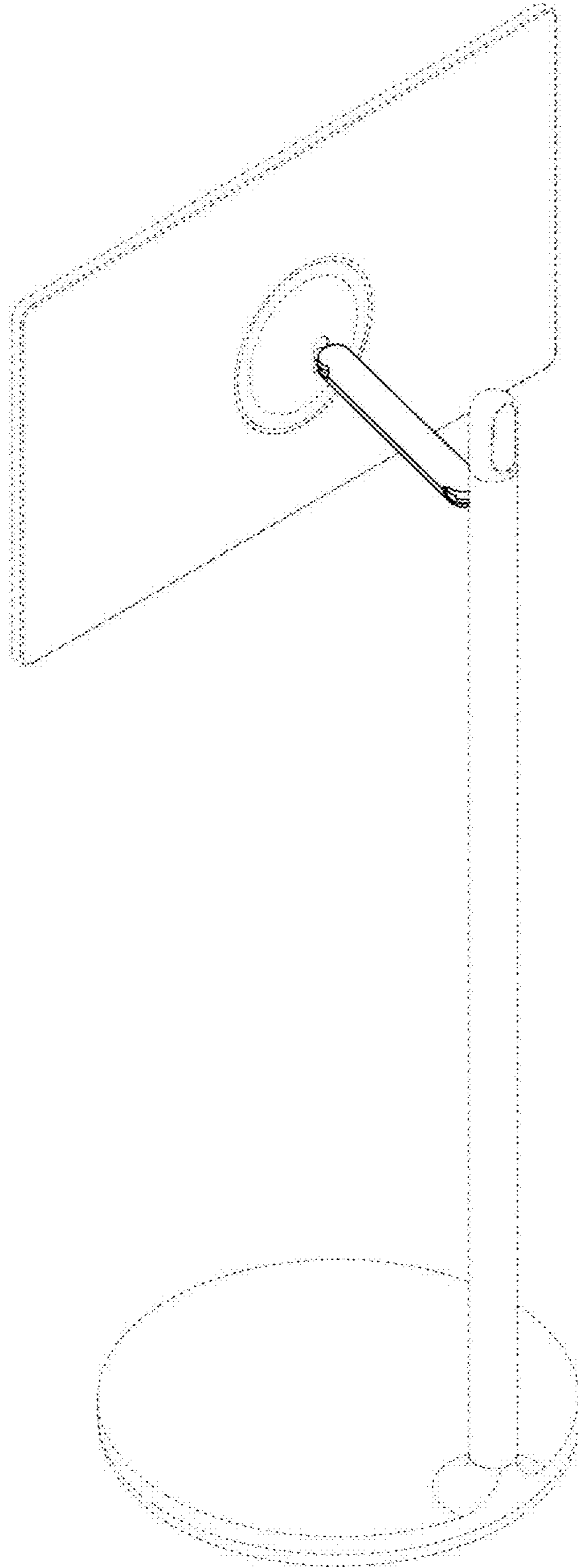
1.18



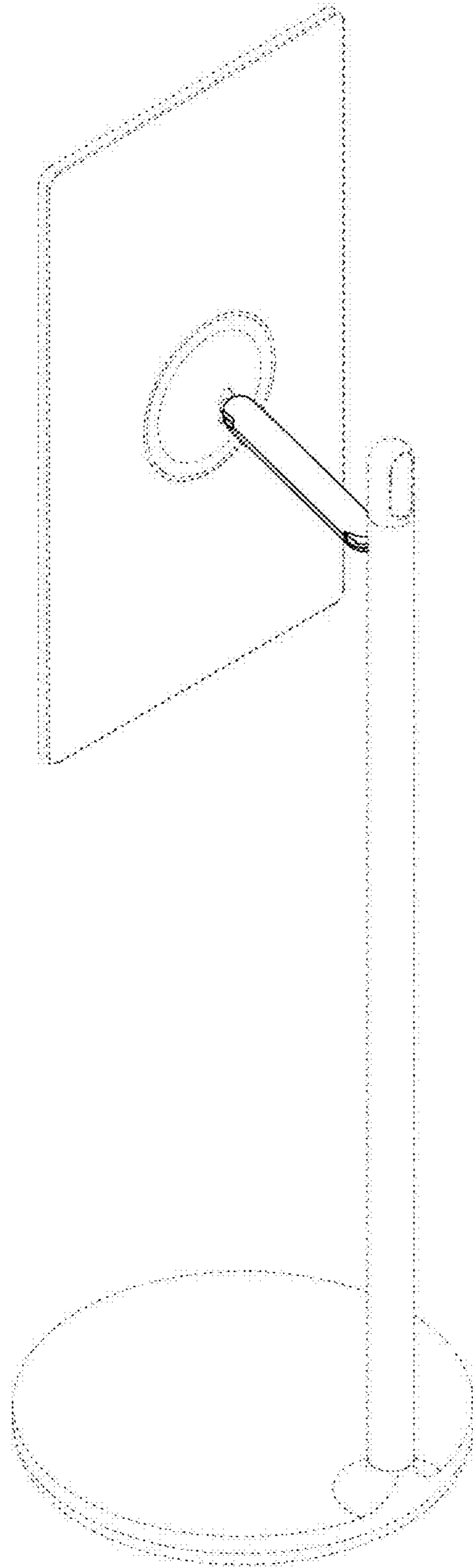
1.19



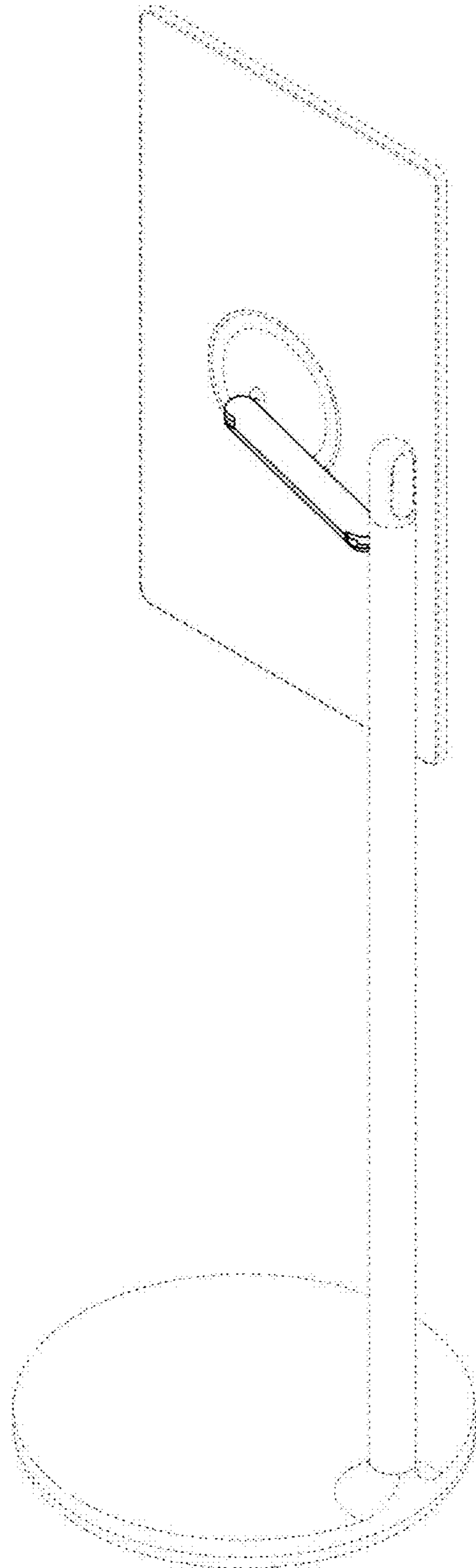
1.20



1.21



1.22



1.23

