



US00D976856S

(12) **United States Design Patent** (10) **Patent No.:** **US D976,856 S**
Kwon et al. (45) **Date of Patent:** **** Jan. 31, 2023**

(54) **TELEVISION RECEIVER**

(71) Applicant: **SAMSUNG ELECTRONICS CO., LTD.**, Suwon-si (KR)

(72) Inventors: **Hansol Kwon**, Suwon-si (KR);
Taeyeon Won, Suwon-si (KR)

(73) Assignee: **SAMSUNG ELECTRONICS CO., LTD.**, Gyeonggi-Do (KR)

(**) Term: **15 Years**

(21) Appl. No.: **29/794,772**

(22) Filed: **Jun. 15, 2021**

(30) **Foreign Application Priority Data**

Dec. 16, 2020 (KR) 30-2020-0062537

(51) **LOC (14) Cl.** **14-03**

(52) **U.S. Cl.**
USPC **D14/126**

(58) **Field of Classification Search**

USPC D14/125-135, 239, 371, 136, 374-377,
D14/440, 450, 448, 336, 342, 159, 251,
D14/209.1, 238, 447, 253; D6/328, 332
CPC H04N 7/00; H04N 9/3141; H04N 13/0459;
H04N 17/04; H04N 17/004; H04N
21/43637; G06F 1/1601; G06F 1/1605;
G06F 1/162

See application file for complete search history.

(56) **References Cited**

U.S. PATENT DOCUMENTS

D657,324 S * 4/2012 Lee D14/126
D663,706 S * 7/2012 Cha D14/126
(Continued)

FOREIGN PATENT DOCUMENTS

CN 305904841 S 7/2020
CN 305981405 * 8/2020
(Continued)

OTHER PUBLICATIONS

Samsung QN65QN800A, first available May 11, 2021 [online], [retrieved Sep. 2, 2022]. Available from the Internet, URL: <https://a.co/d/c8prkwH>. (Year: 2021).*

(Continued)

Primary Examiner — Dana K Weiland

Assistant Examiner — Russell Carnell Smith, Jr.

(74) *Attorney, Agent, or Firm* — Cantor Colburn LLP

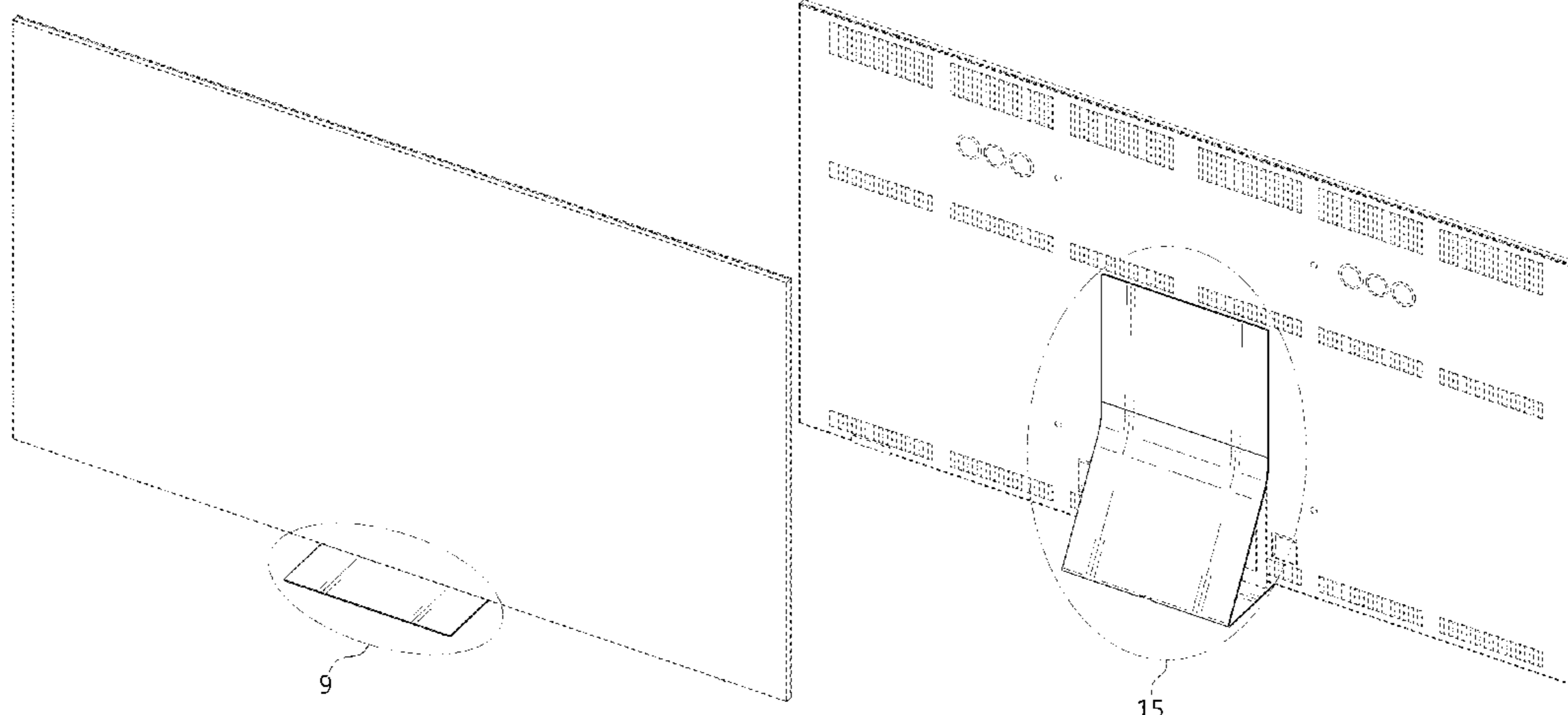
(57) **CLAIM**

The ornamental design for a television receiver, as shown and described.

DESCRIPTION

FIG. 1 is a front perspective view of a television receiver, showing our new design;
FIG. 2 is a front view thereof;
FIG. 3 is a rear view thereof;
FIG. 4 is a left-side view thereof;
FIG. 5 is a right-side view thereof;
FIG. 6 is a top view thereof;
FIG. 7 is a bottom view thereof;
FIG. 8 is a rear perspective view thereof;
FIG. 9 is an enlarged view of the portion 9 in FIG. 1;
FIG. 10 is an enlarged view of the portion 10 in FIG. 2;
FIG. 11 is an enlarged view of the portion 11 in FIG. 3;
FIG. 12 is an enlarged view of the portion 12 in FIG. 4;
FIG. 13 is an enlarged view of the portion 13 in FIG. 6;
FIG. 14 is an enlarged view of the portion 14 in FIG. 7; and,
FIG. 15 is an enlarged view of the portion 15 in FIG. 8.
The even-dash broken lines illustrating portions of the television receiver form no part of the claimed design. The dot-dot-dash broken lines encircling enlargement portions of the claimed design form no part of the claimed design.

1 Claim, 15 Drawing Sheets



(56)

References Cited

U.S. PATENT DOCUMENTS

D670,256 S * 11/2012 Kim D14/126
D715,753 S * 10/2014 Jang D14/126
D725,617 S * 3/2015 Choi D14/126
D738,338 S * 9/2015 Lee D14/126
D758,332 S * 6/2016 Won D14/126
D769,207 S * 10/2016 Won D14/126
D929,354 S * 8/2021 Lee D14/126
D947,822 S * 4/2022 Lee D14/126
D947,823 S * 4/2022 Lee D14/126
D956,009 S * 6/2022 Lee D14/126

FOREIGN PATENT DOCUMENTS

EM 005943412-0001 12/2018
JP D1600098 * 3/2018
KR 300635656 S 3/2012
KR 300768762 S 7/2015
KR 300804766 S 7/2015
KR 300805305 S 7/2015
KR 300805307 S 7/2015

KR 300944862 S 2/2018
KR 300944861 S 8/2018
KR 301011332 S 6/2019
KR 300997824 S 9/2019
KR 301064760 S 7/2020

OTHER PUBLICATIONS

Panasonic launches new flagship HZ2000 OLED TV for 2020. Published Jul. 31, 2020 [online]. Page 1 of 1 [retrieved on Jun. 14, 2021]. Retrieved from the Internet: <URL: <https://www.flatpanelshd.com/news.php?subaction=showfull&id=1596189601>.

Samsung has deleted the bezels from its Q950TS QLED 8K TV. Published Jan. 6, 2020 [online]. Page 1 of 1 [retrieved on Jun. 14, 2021]. Retrieved from the Internet: <URL: <https://www.hardwarezone.com.sg/tech-news-ces-2020-samsung-q950ts-qled-8k-tv-zero-bezel-infinity-screen>.

Samsung Q800T 8k QLED TV Review. Published Jun. 23, 2020 [online]. Page 1 of 1 [retrieved on Jun. 14, 2021]. Retrieved from the Internet: <URL: <https://www.rtings.com/tv/reviews/samsung/q800t-qled>.

* cited by examiner

FIG. 1

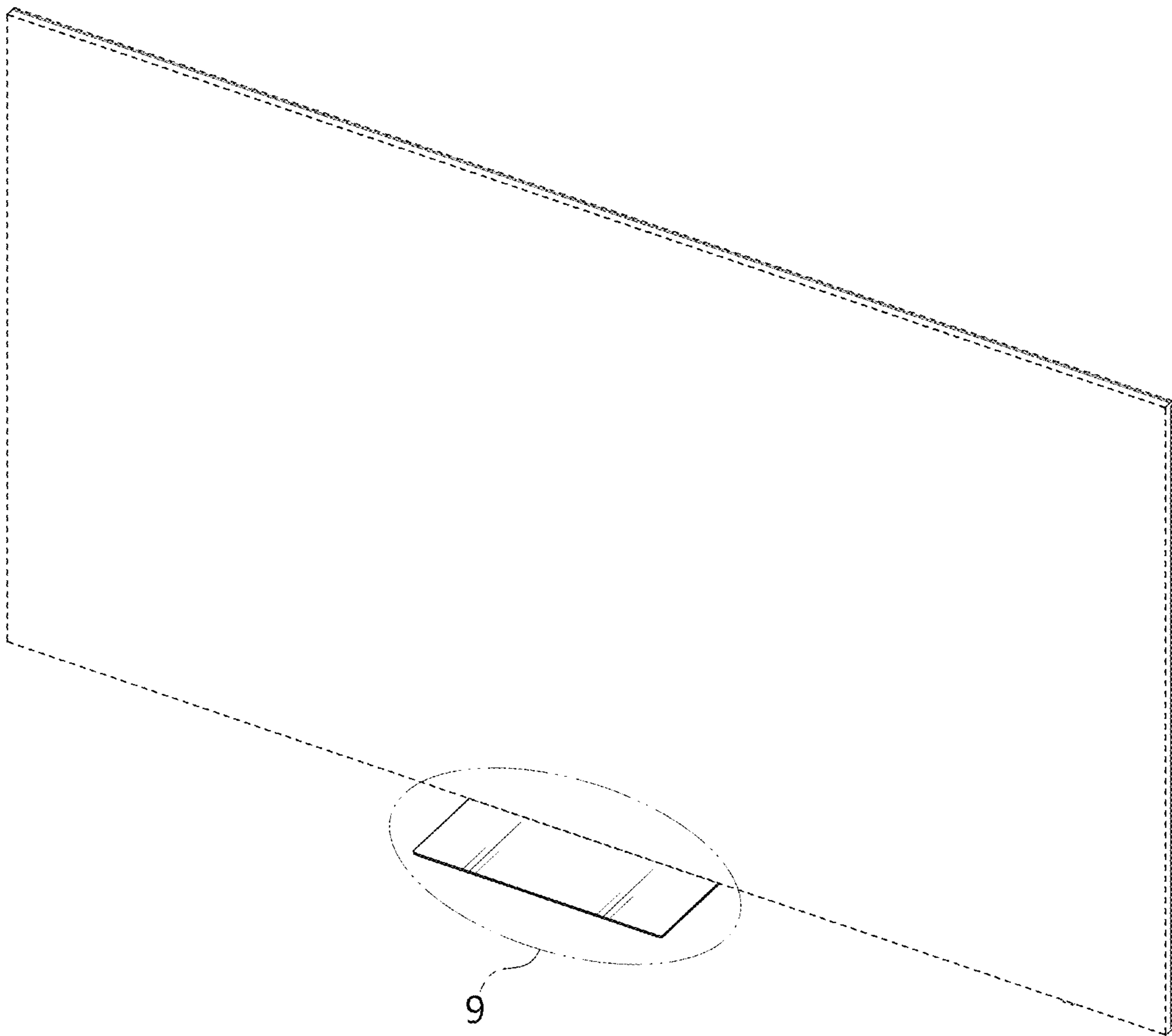


FIG. 2

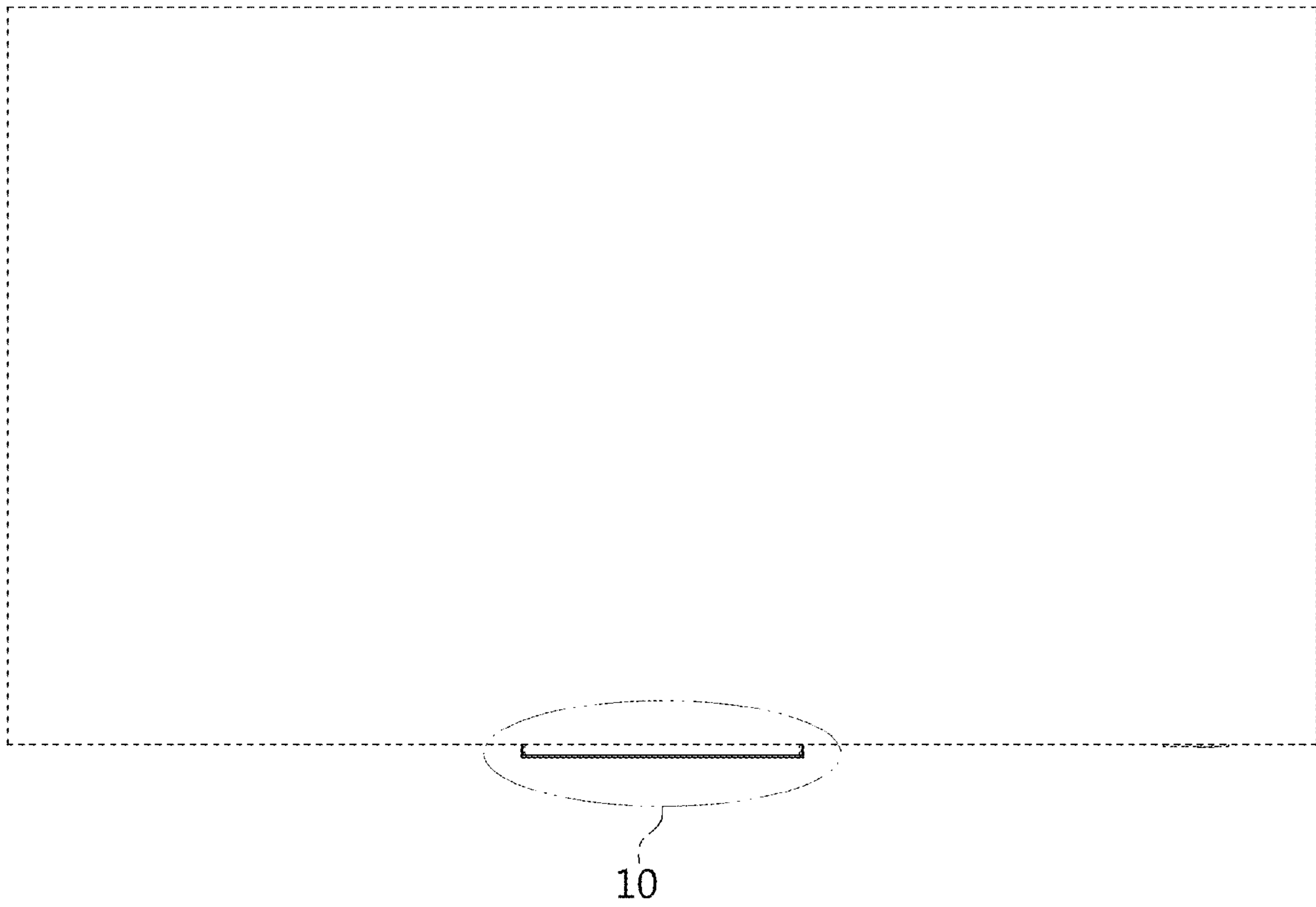


FIG. 3

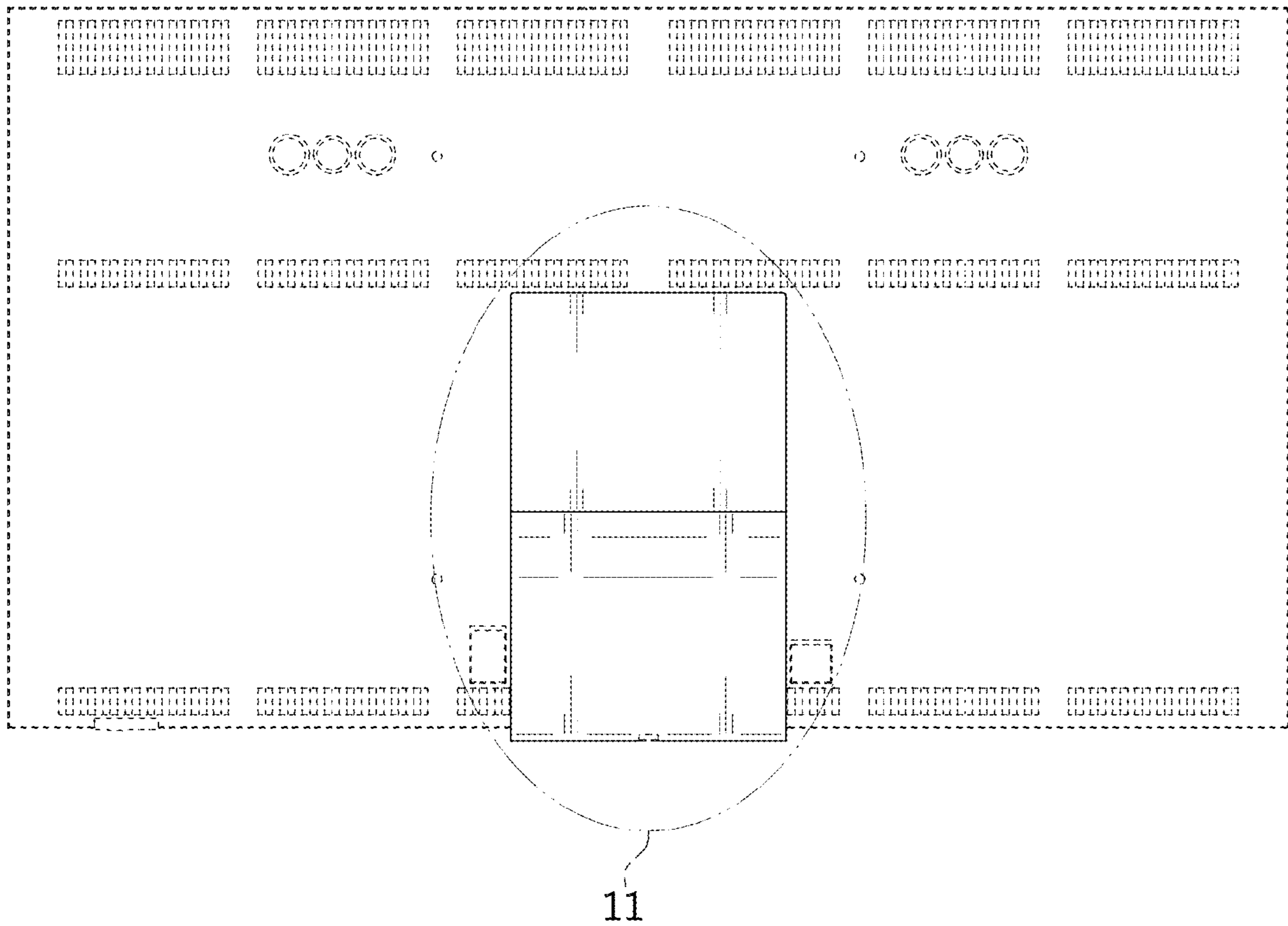


FIG. 4

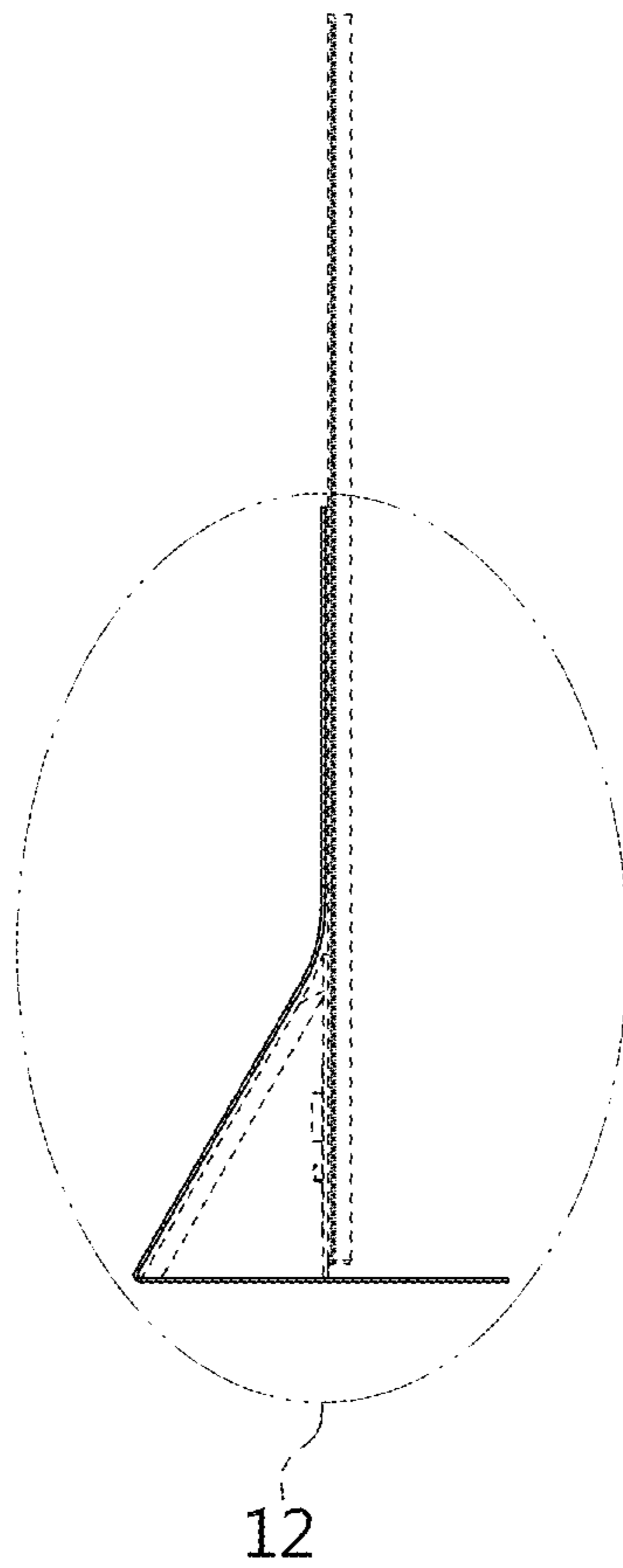


FIG. 5

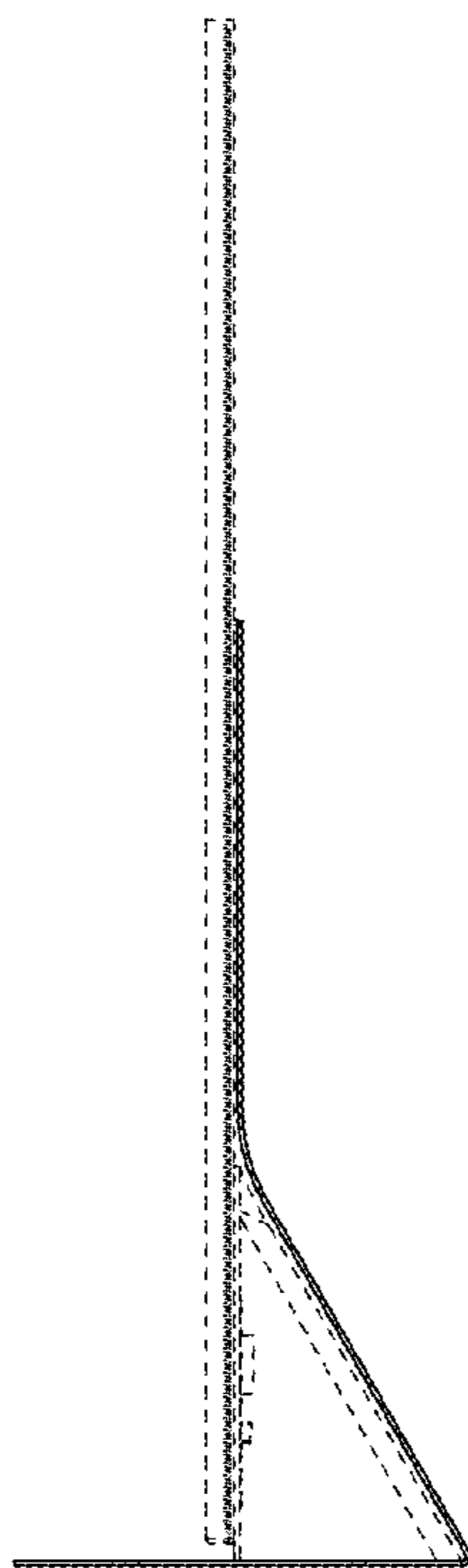


FIG. 6

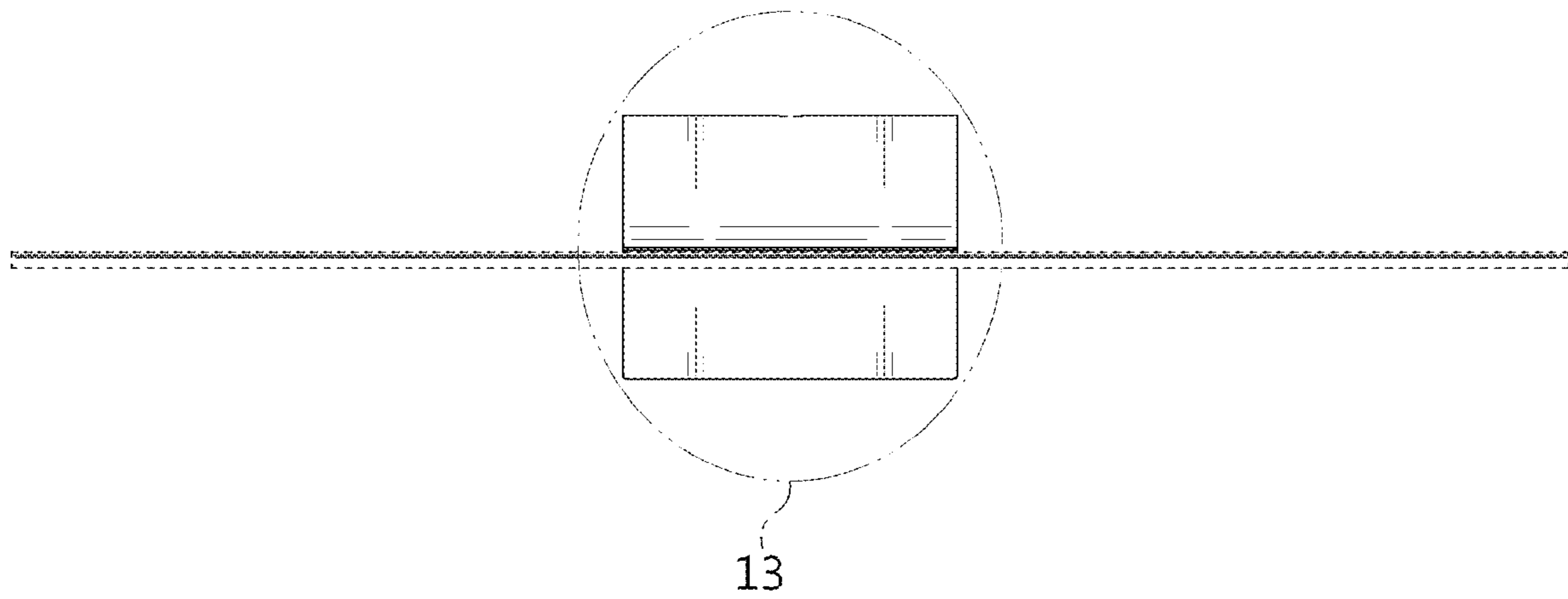


FIG. 7

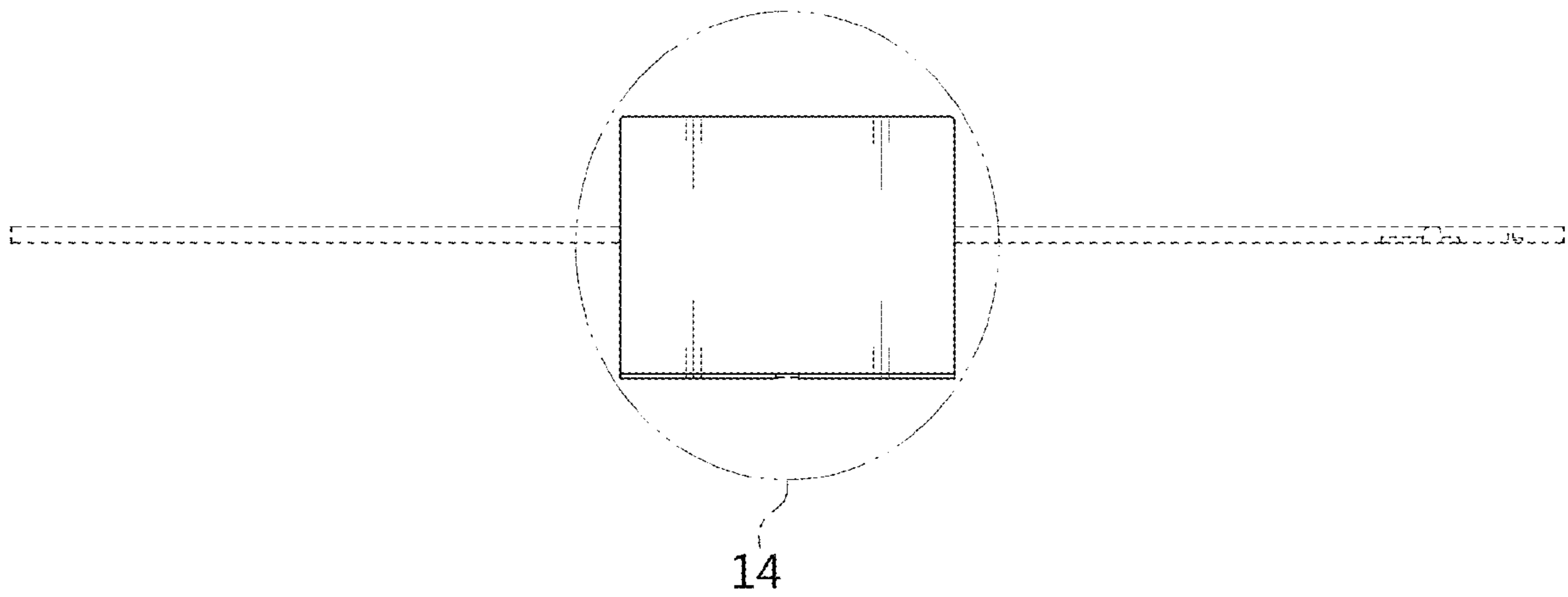


FIG. 8

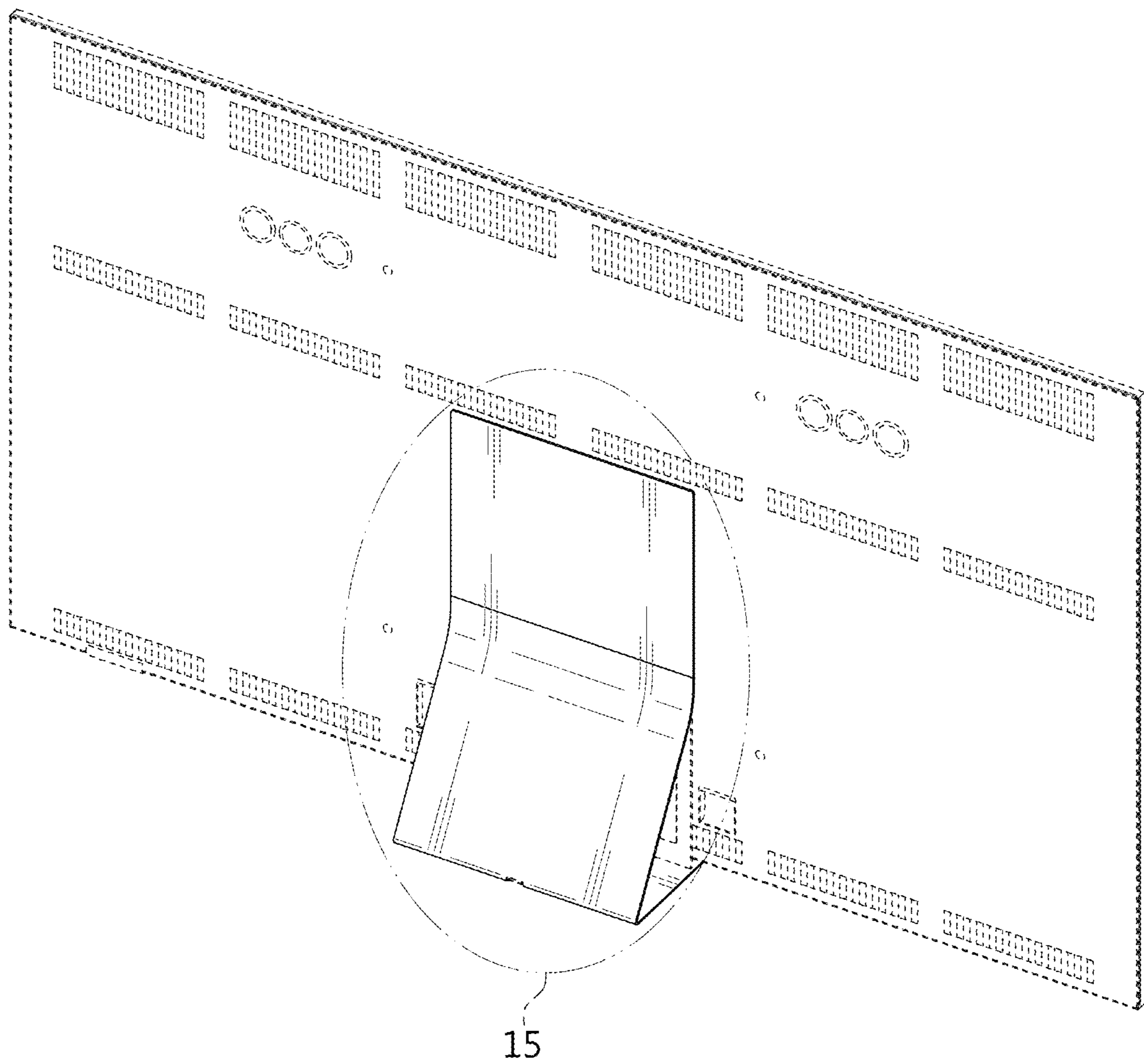


FIG. 9

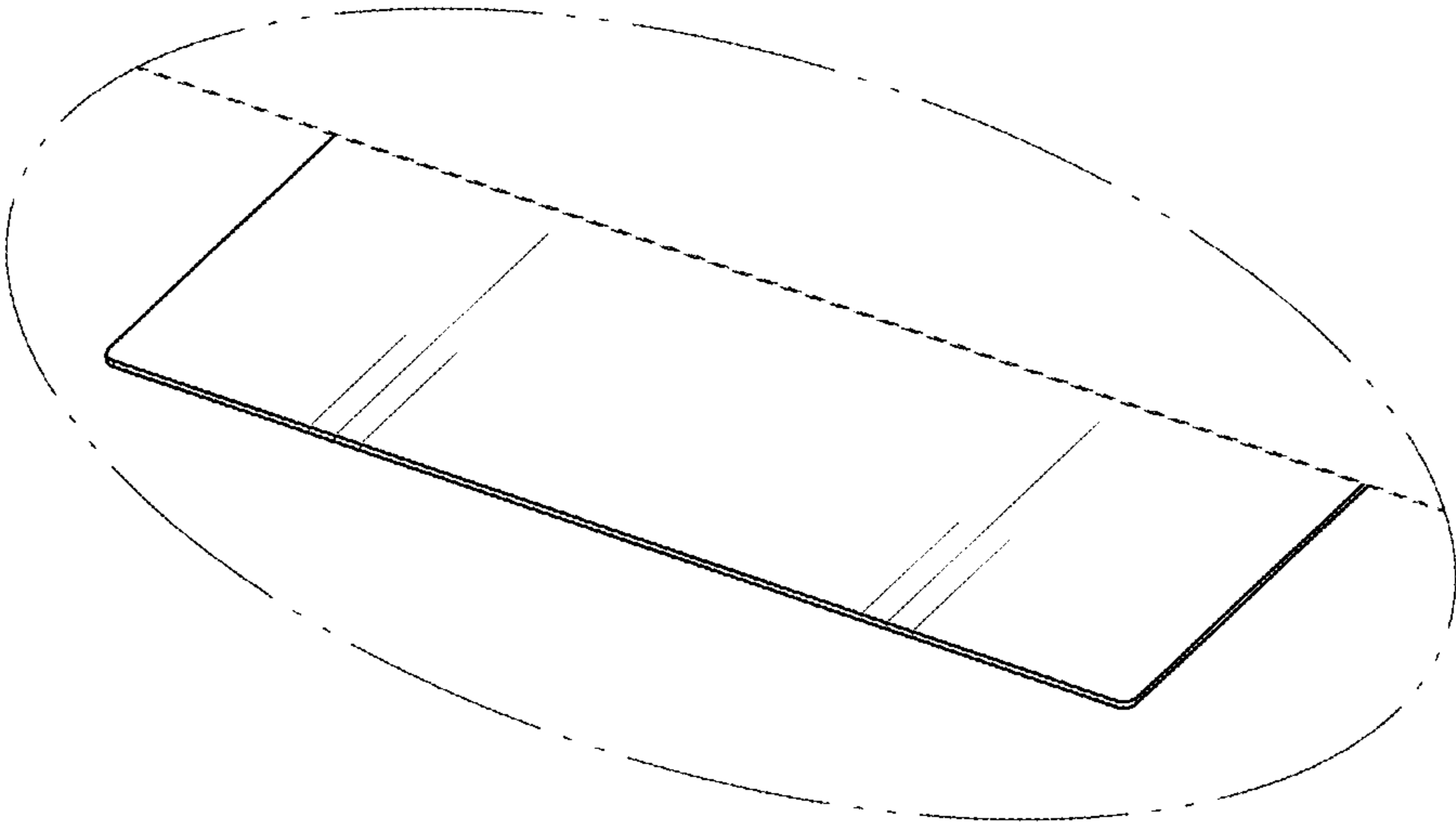


FIG. 10

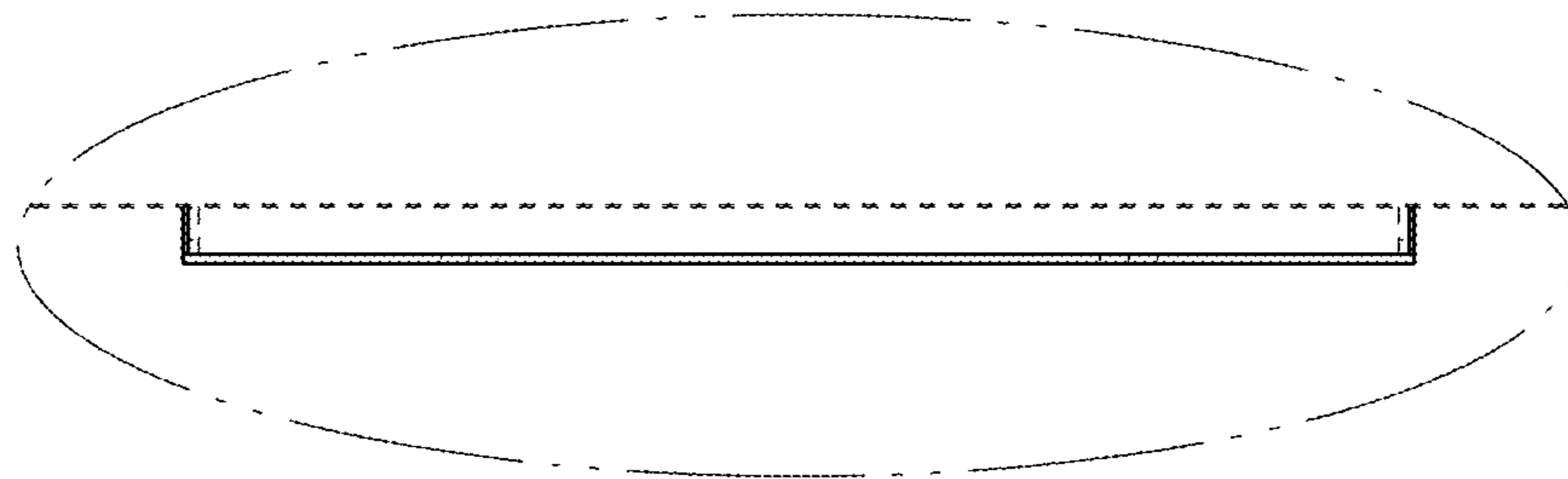


FIG. 11

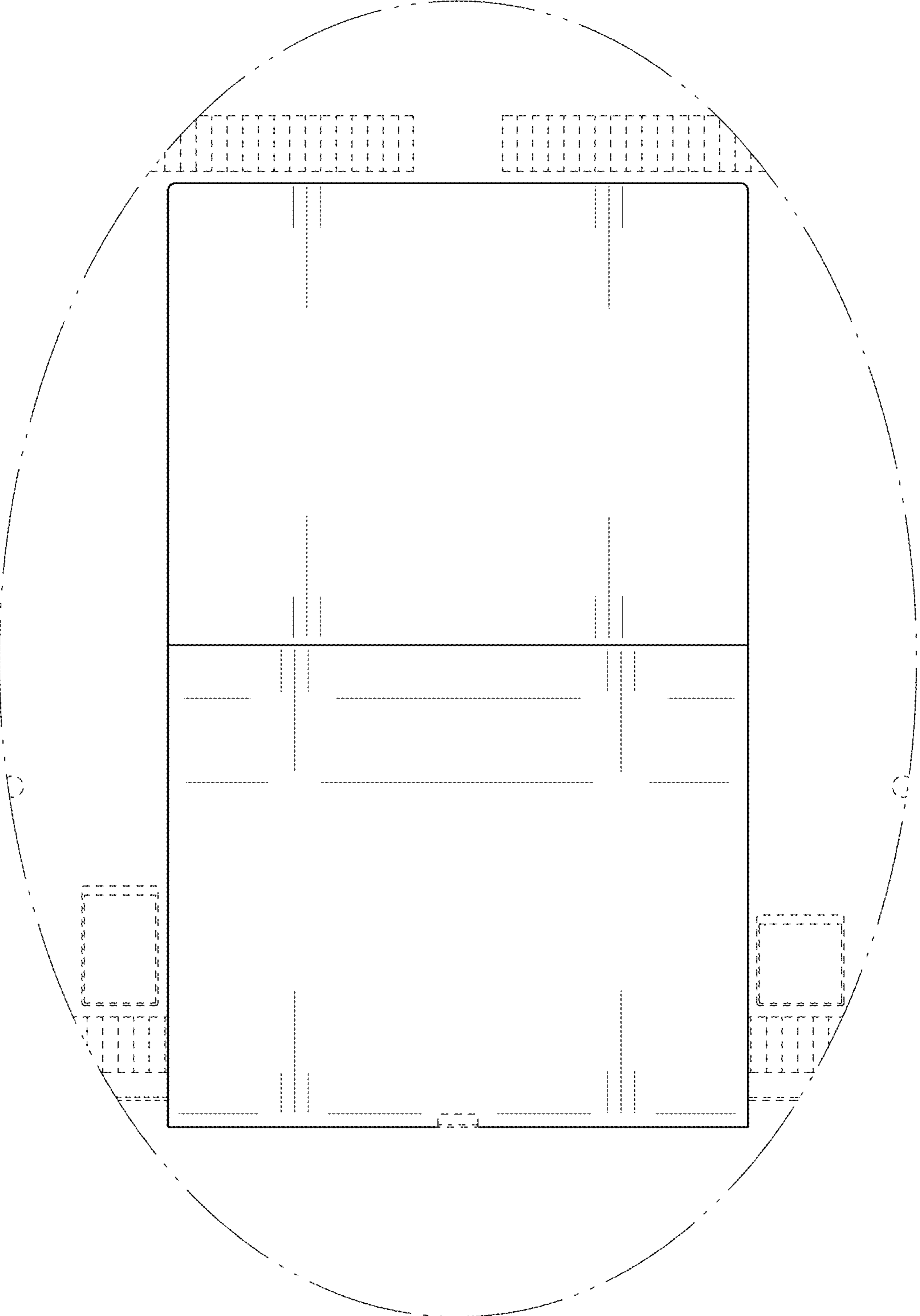


FIG. 12

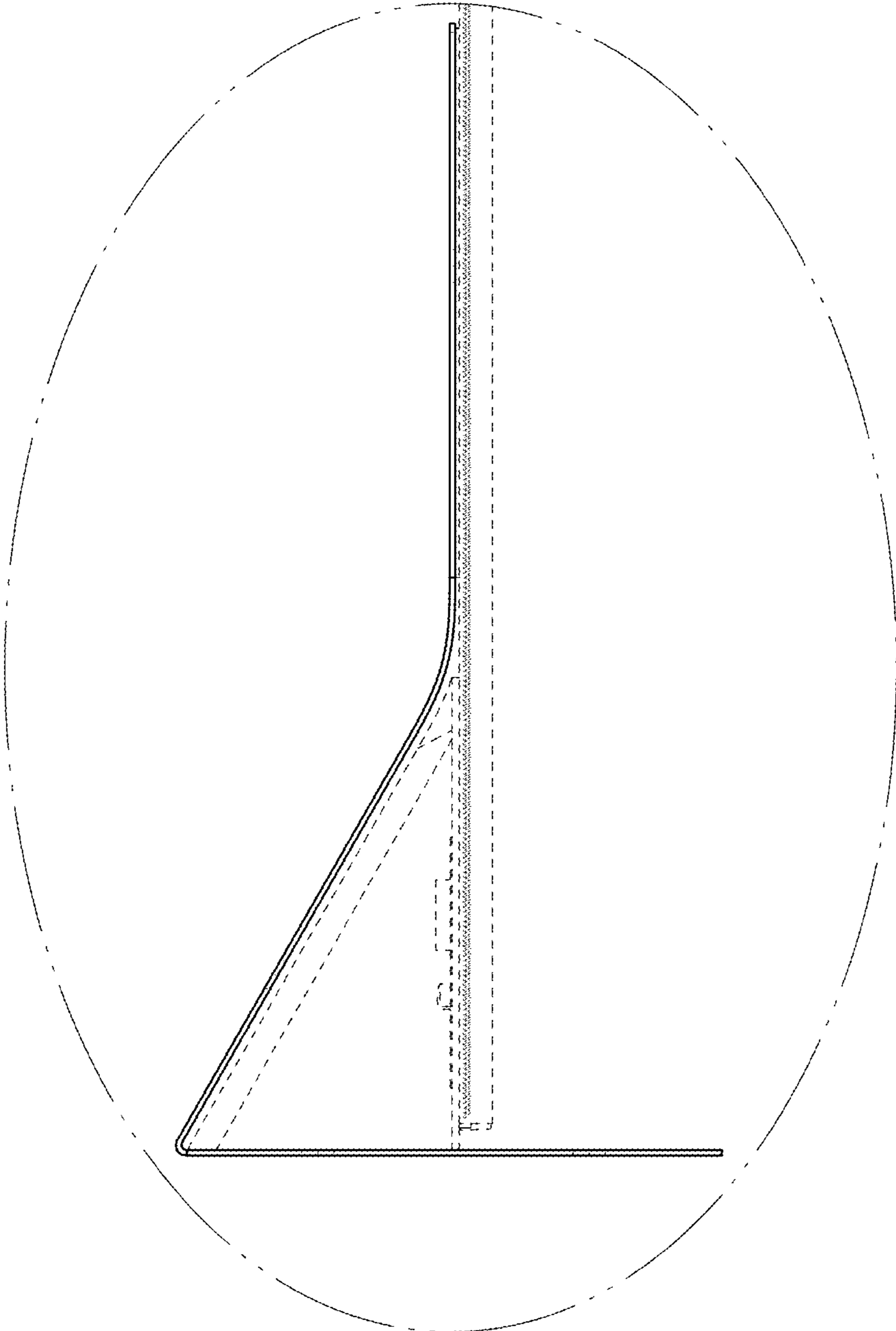


FIG. 13

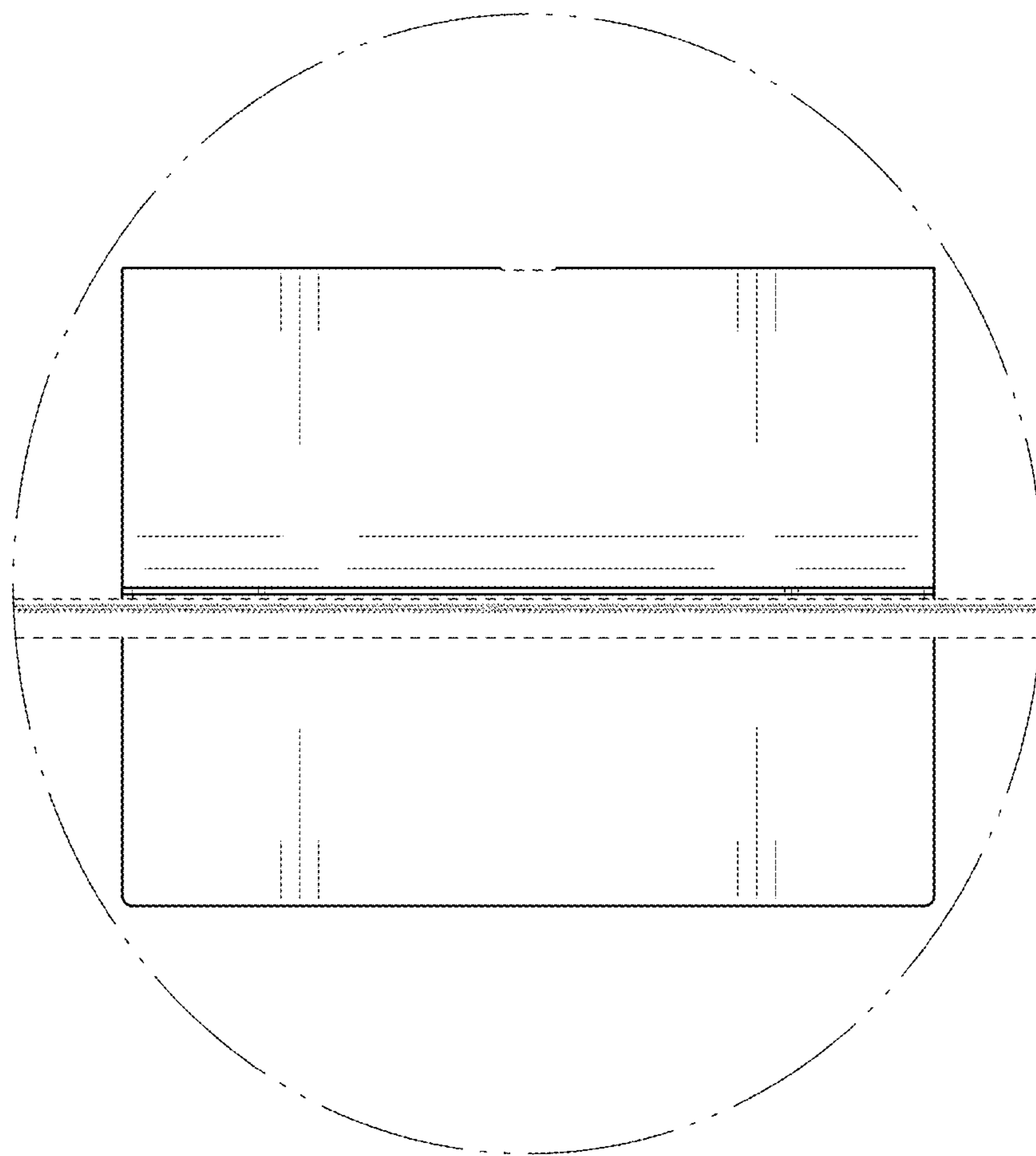


FIG. 14

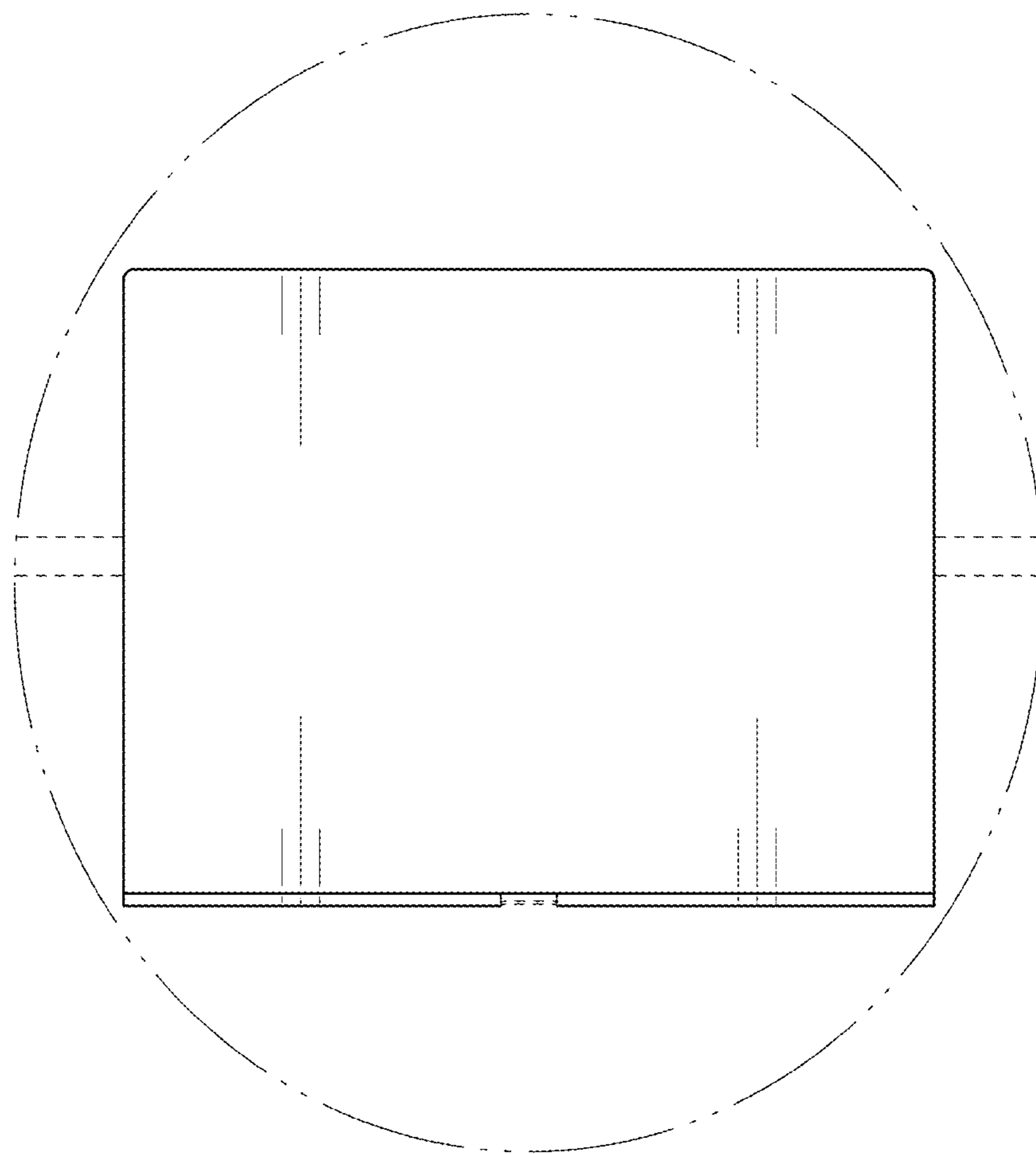


FIG. 15

