



US00D976852S

(12) **United States Design Patent**
Wu et al.

(10) **Patent No.:** **US D976,852 S**
(45) **Date of Patent:** **** Jan. 31, 2023**

(54) **POWER MODULE**

FOREIGN PATENT DOCUMENTS

(71) Applicant: **INDUSTRIAL TECHNOLOGY RESEARCH INSTITUTE**, Hsinchu (TW)

CN 303329233 A 8/2018
TW 167747 5/2015
TW D188003 1/2018

(72) Inventors: **Sheng-Tsai Wu**, Taoyuan (TW); **Hsin-Han Lin**, Hsinchu County (TW); **Yuan-Yin Lo**, Hsinchu County (TW); **Kuo-Shu Kao**, Zhubei (TW); **Tai-Jyun Yu**, Taoyuan (TW); **Han-Lin Wu**, Hsinchu (TW); **Yen-Ting Lin**, Hsinchu (TW)

OTHER PUBLICATIONS

E-scooter Power Module and Motor Drive, available in itri.org.tw, announced Year unavailable [online], [site visited Oct. 6, 2022], Internet URL: https://www.itri.org.tw/english/ListStyle.aspx?DisplayStyle=01_content&SiteID=1&MmmID=1037333532467607737&MGID=1126477372063054015 (Year: 2022).*

(73) Assignee: **INDUSTRIAL TECHNOLOGY RESEARCH INSTITUTE**, Hsinchu (TW)

(Continued)

(**) Term: **15 Years**

Primary Examiner — Christy Nemeth

Assistant Examiner — Leah E Hoeferkamp

(74) *Attorney, Agent, or Firm* — Maschoff Brennan

(21) Appl. No.: **29/738,677**

(22) Filed: **Jun. 18, 2020**

(30) **Foreign Application Priority Data**

Apr. 24, 2020 (TW) 109302243

(51) **LOC (14) Cl.** **13-03**

(52) **U.S. Cl.**
USPC **D13/182**

(58) **Field of Classification Search**
USPC D13/182, 180, 107, 108, 110, 146;
D10/104, 106; D26/2, 37; D21/391
CPC ... H01L 25/167; H01L 25/0753; H01L 27/15;
H01L 27/156; H01L 31/02; H01L 33/00;
H01L 33/04; H01L 33/08; H01L 33/10;

(Continued)

(56) **References Cited**

U.S. PATENT DOCUMENTS

D466,076 S 11/2002 Yoshikatsu
6,636,429 B2 * 10/2003 Maly H05K 1/0231
257/700

(Continued)

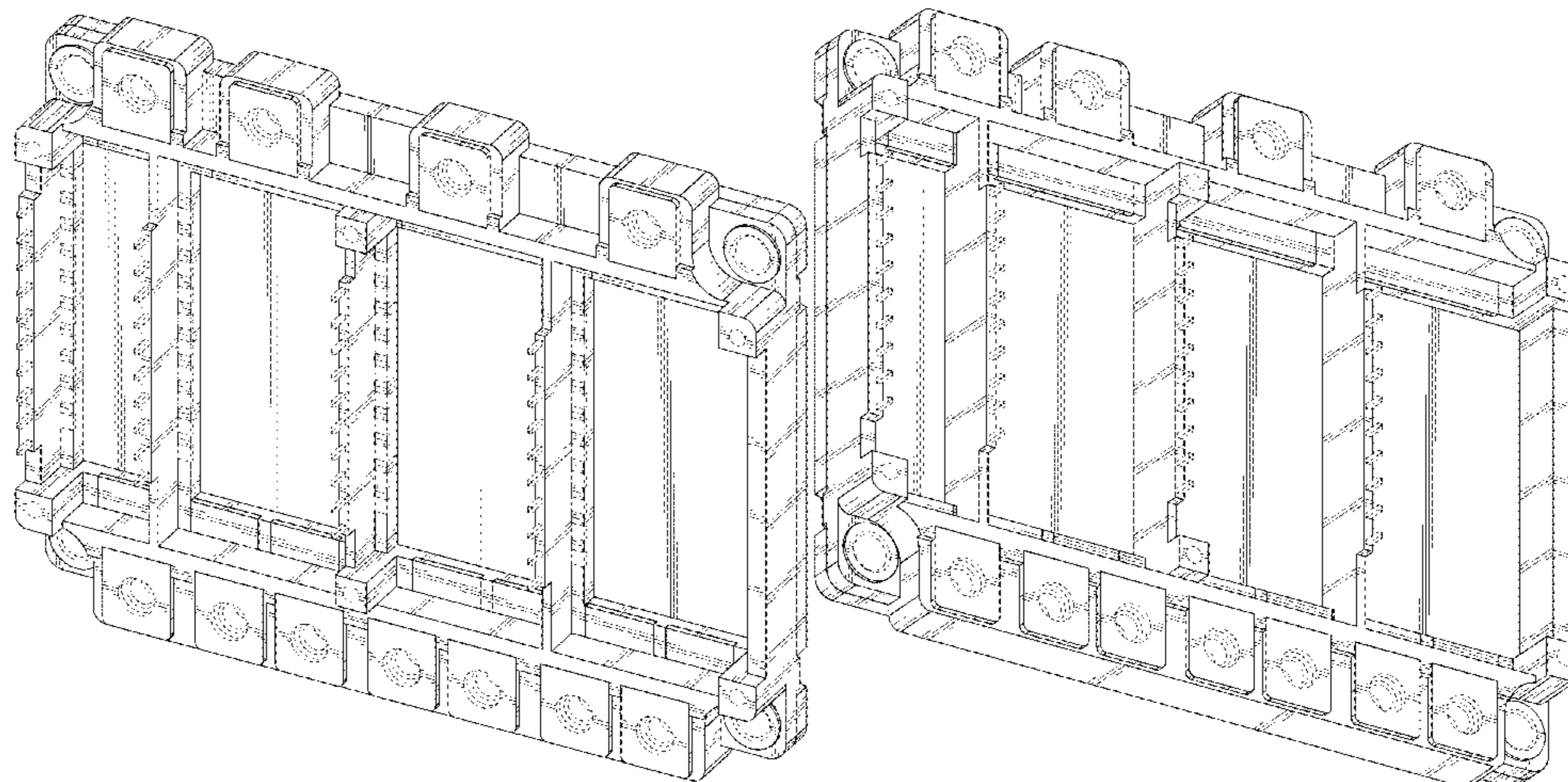
(57) **CLAIM**

The ornamental design for a power module, as shown and described.

DESCRIPTION

FIG. 1 is a top, front, and right side perspective view of a power module, showing our new design;
FIG. 2 is a bottom, front, and left side perspective view thereof;
FIG. 3 is a top rear, and right side perspective view thereof;
FIG. 4 is a front view thereof;
FIG. 5 is a rear view thereof;
FIG. 6 is a left side view thereof;
FIG. 7 is a right side view thereof;
FIG. 8 is a top view thereof; and,
FIG. 9 is a bottom view thereof.
The broken lines in the figures illustrate the portions of the design that form no part of the claimed design.

1 Claim, 9 Drawing Sheets



(58) **Field of Classification Search**

CPC H01L 33/20; H01L 33/38; H01L 33/42;
 H01L 33/48; H01L 33/483; H01L 33/486;
 H01L 21/00; H01L 21/02; H01L 21/4814;
 H01L 21/4846; H01L 23/14; H01L 23/13;
 H01L 23/147; H01L 23/00; H01L 23/48;
 H01L 23/4926; H01L 23/498; H01L
 23/49811; H01L 23/49861; H01L
 23/49866; H01L 23/49872; H01L
 23/49575; H01L 2924/1711; H01L
 2924/1715; H01L 2924/181; H01L
 2924/1811; H01L 2924/1815; F21K 9/00;
 H05K 5/0069; H05K 5/0247

See application file for complete search history.

(56) **References Cited**

U.S. PATENT DOCUMENTS

D503,149 S * 3/2005 Teramae D13/110
 D556,686 S * 12/2007 Matsuo D13/110
 D587,662 S * 3/2009 Soutome D13/182
 D653,633 S * 2/2012 Soyano D13/182
 D653,634 S * 2/2012 Soyano D13/182
 D686,174 S * 7/2013 Soyano D13/182
 D689,446 S * 9/2013 Soyano D13/180
 9,001,518 B2 4/2015 Hauenstein
 D754,084 S * 4/2016 Kawase D13/182
 D774,479 S * 12/2016 Soyano D13/182

D775,091 S * 12/2016 Edenharter D13/182
 D775,593 S * 1/2017 Edenharter D13/182
 D776,071 S * 1/2017 Edenharter D13/182
 D814,433 S * 4/2018 Soyano D13/182
 D827,593 S * 9/2018 Soyano D13/182
 10,122,293 B2 11/2018 Chen
 D864,884 S * 10/2019 Yoneyama D13/182
 D903,611 S * 12/2020 Sannai D13/182
 D903,612 S * 12/2020 Soyano D13/182
 D942,404 S * 2/2022 Soyano D13/182
 D942,405 S * 2/2022 Soyano D13/182
 D949,807 S * 4/2022 Wada D13/182
 2006/0071238 A1 4/2006 Guerra
 2013/0049201 A1 * 2/2013 Yoshida H01L 23/49811
 257/751
 2015/0201532 A1 * 7/2015 Soyano H01L 23/552
 361/752
 2017/0213777 A1 * 7/2017 Soyano H01L 25/18
 2017/0372977 A1 * 12/2017 Tamai H01L 23/057
 2018/0182678 A1 * 6/2018 Maruyama H01L 23/48
 2018/0183161 A1 * 6/2018 Soyano H01R 4/70
 2020/0013703 A1 * 1/2020 Matsuo H01L 25/18
 2021/0134762 A1 * 5/2021 Hayashi H01L 24/40
 2021/0175155 A1 * 6/2021 Niu H01L 21/768

OTHER PUBLICATIONS

Taiwanese Notice of Allowance issued in corresponding application
 No. 109302243, dated Jun. 30, 2020.

* cited by examiner

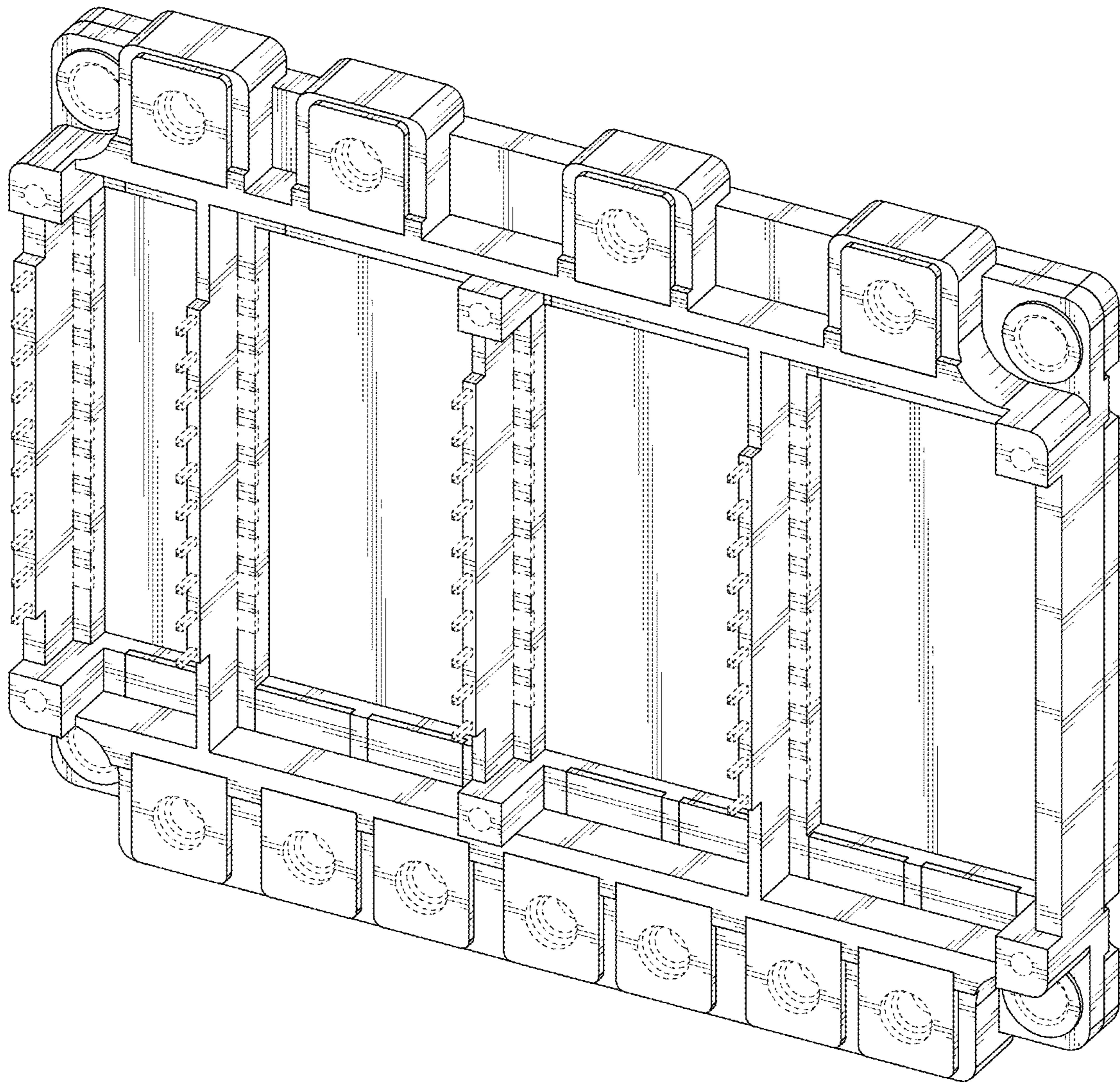


FIG. 1

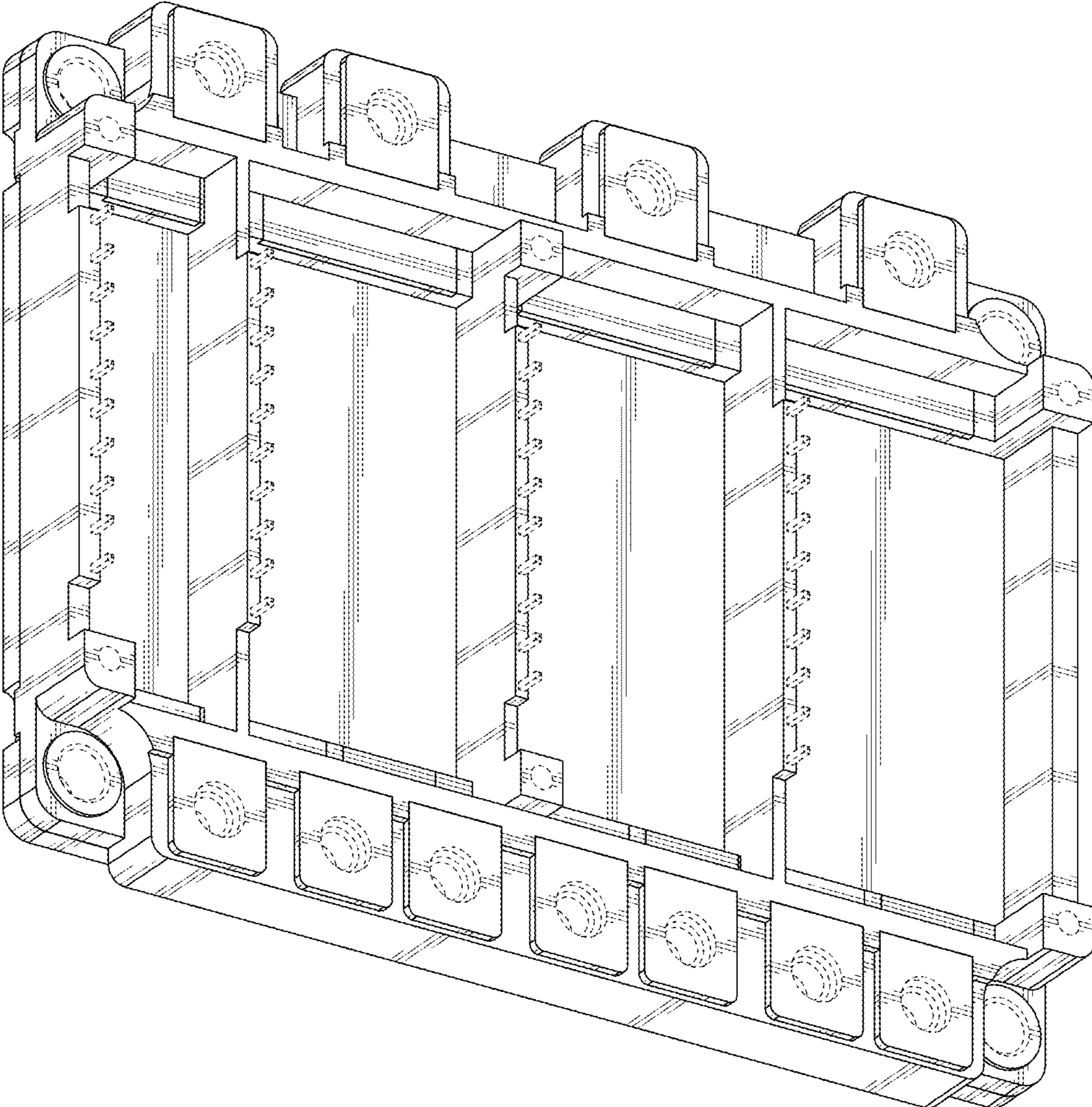


FIG. 2

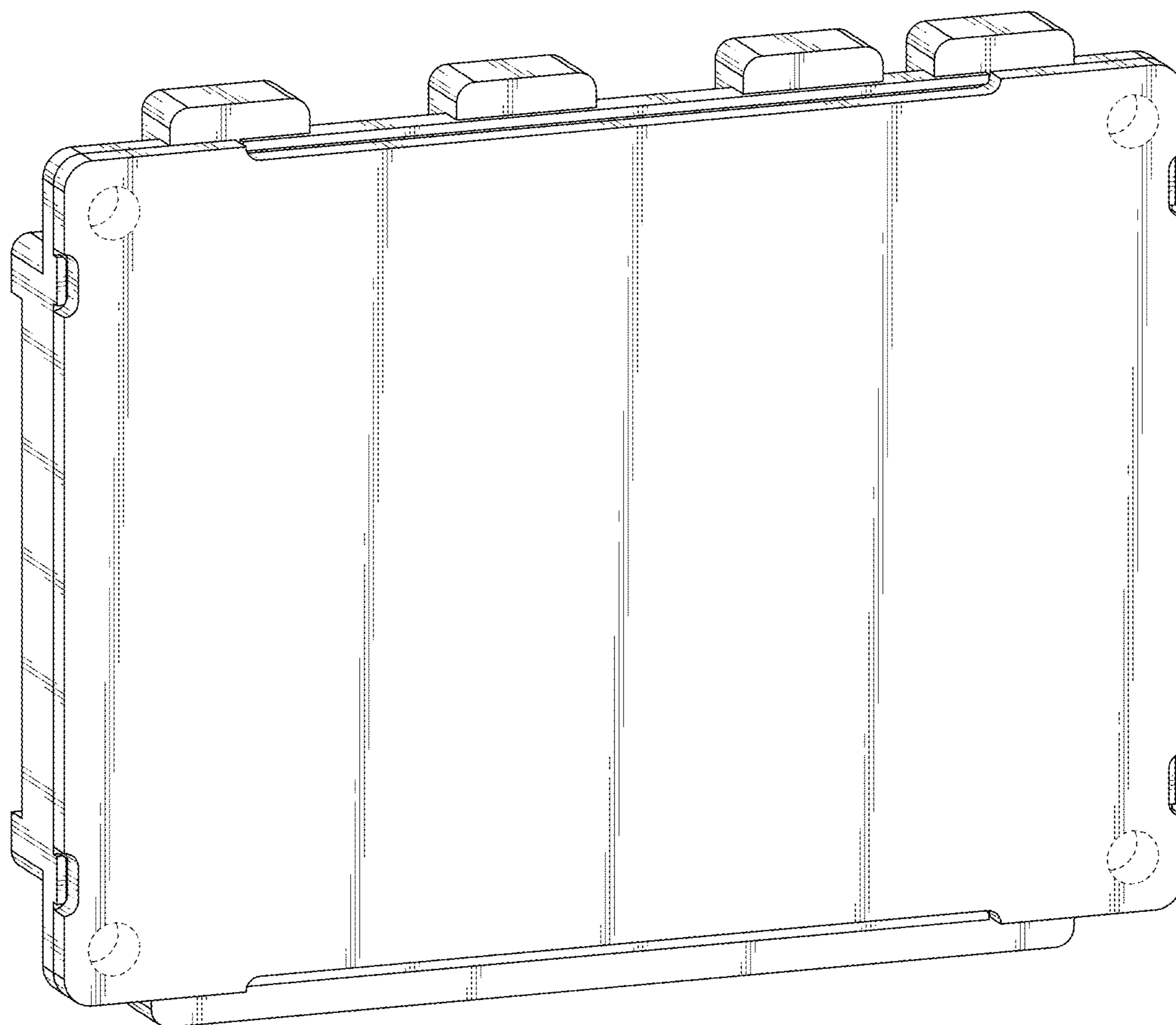


FIG. 3

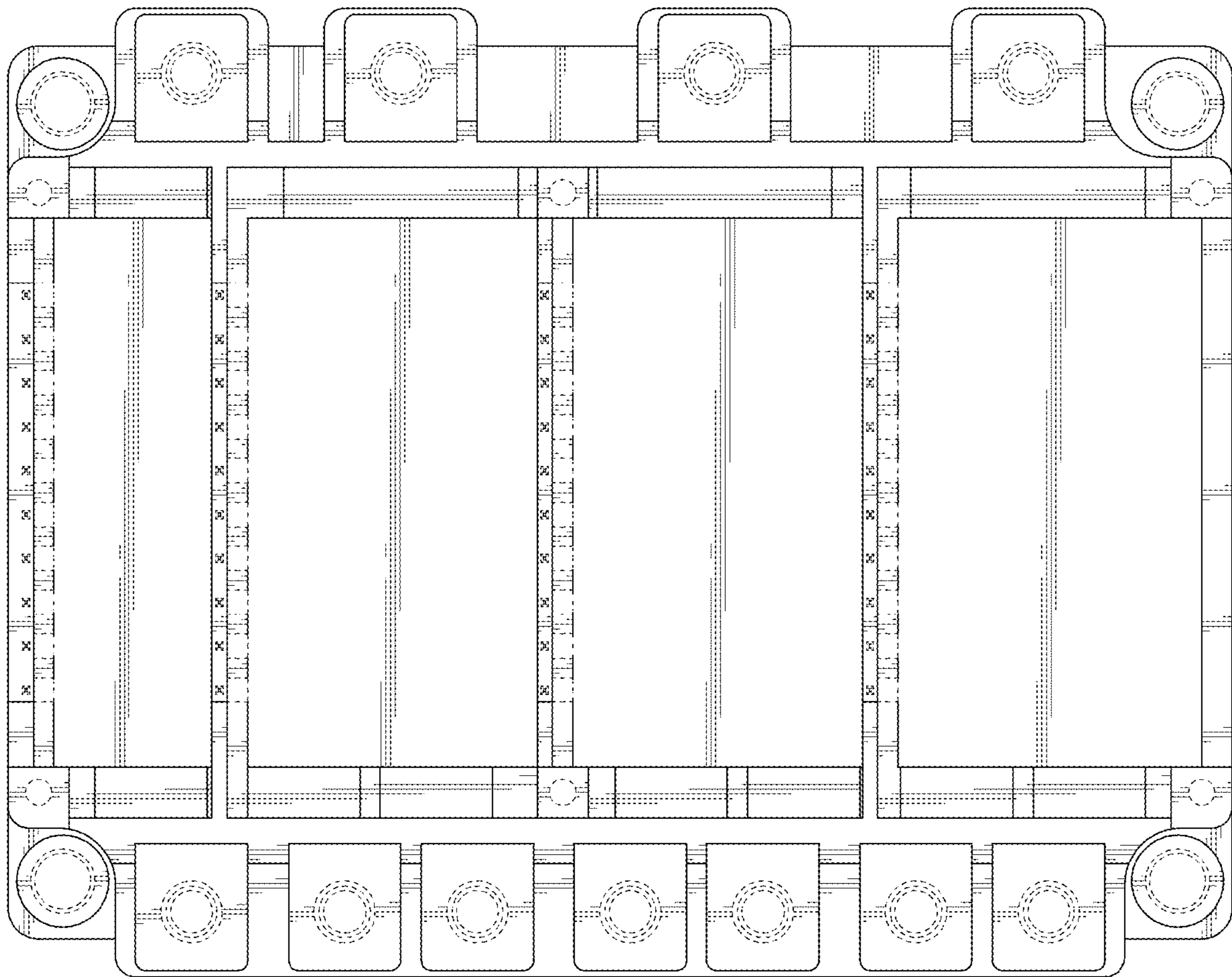


FIG. 4

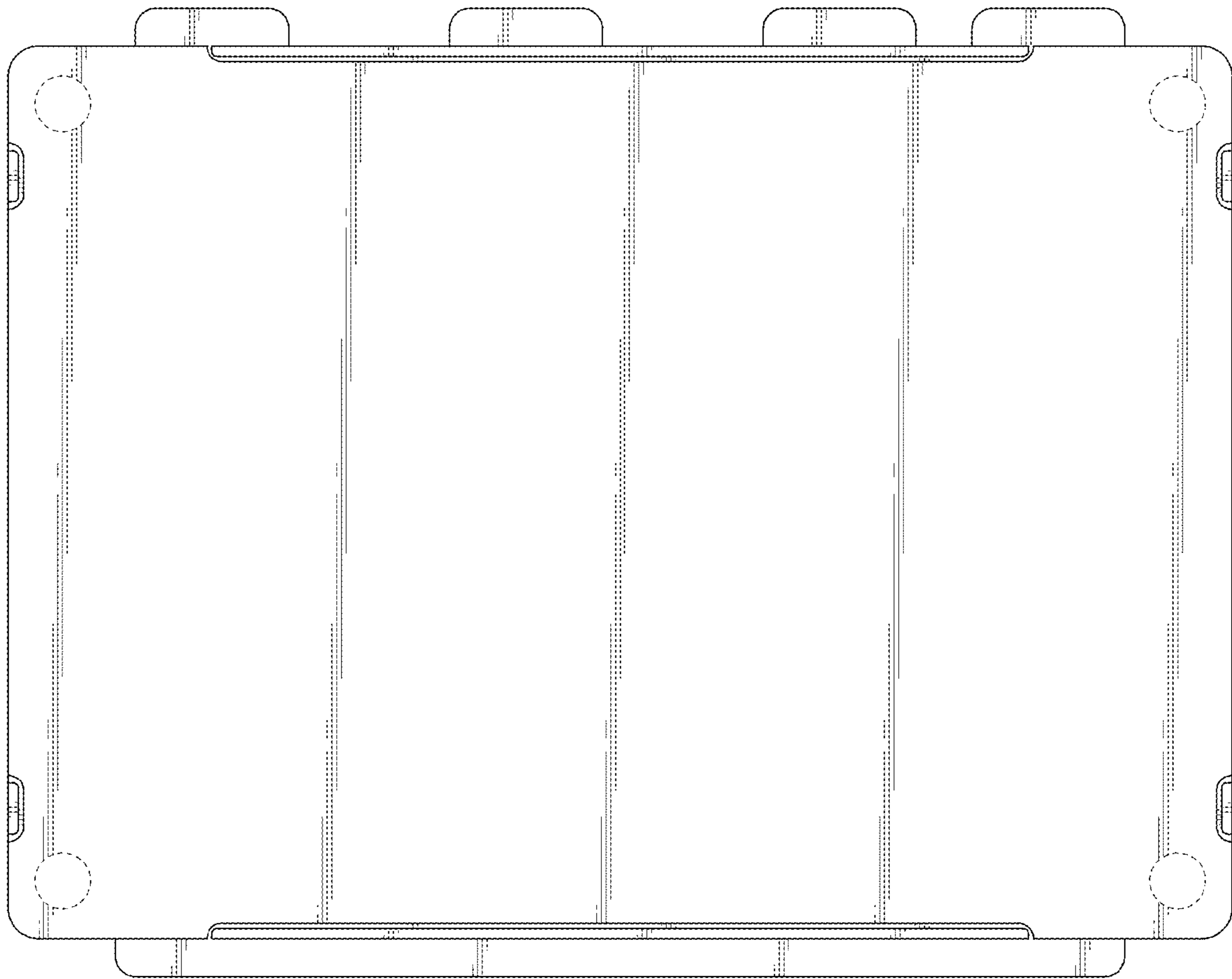


FIG. 5

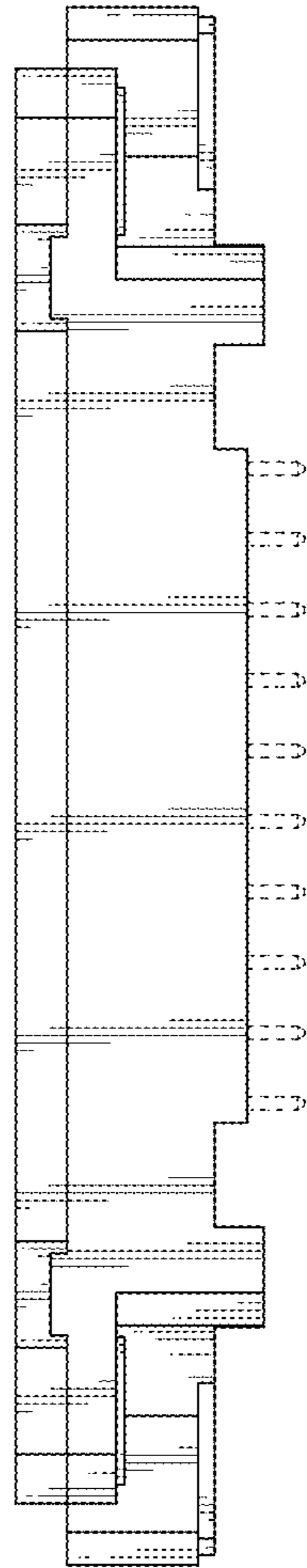


FIG. 6

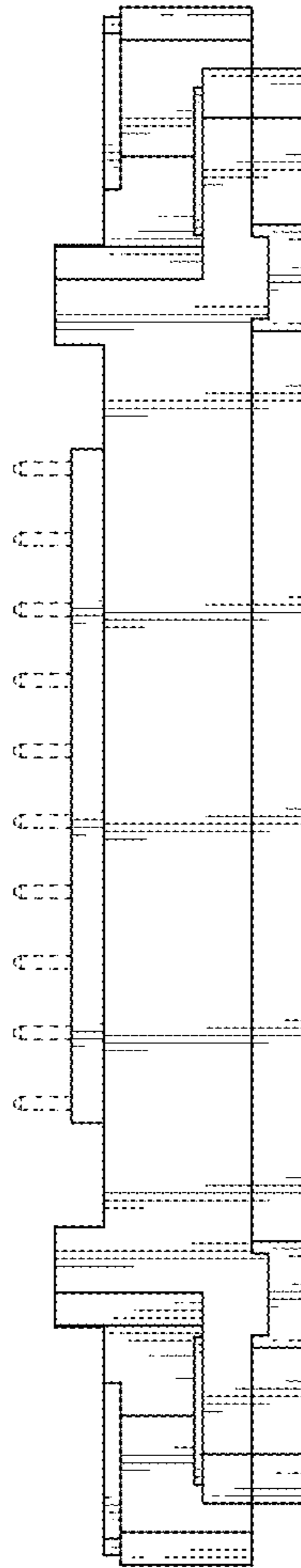


FIG. 7

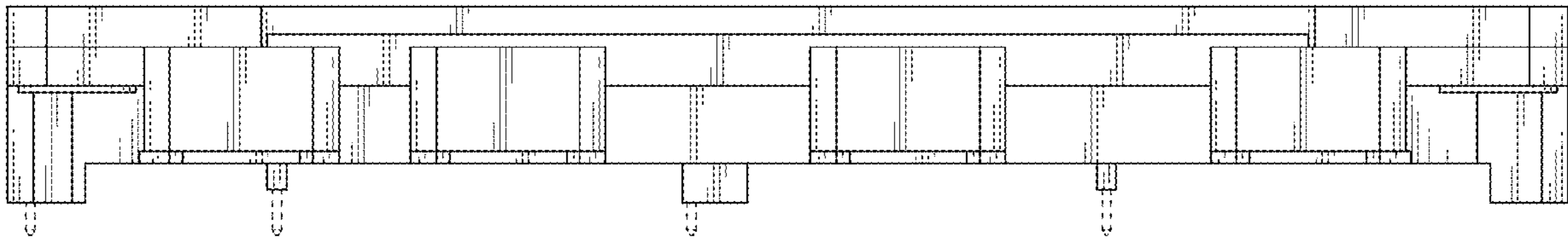


FIG. 8

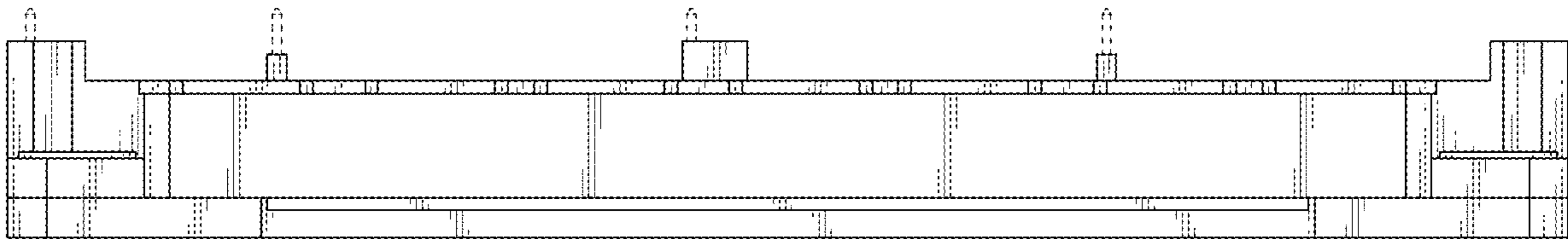


FIG. 9