



US00D976851S

(12) **United States Design Patent** (10) **Patent No.:** **US D976,851 S**
She et al. (45) **Date of Patent:** **** Jan. 31, 2023**

(54) **RADIATOR**

- (71) Applicant: **EKWB d.o.o.**, Komenda (SI)
- (72) Inventors: **Yi Siang She**, Taipei (CN); **Georg Todtenbier**, New Taipei (CN)
- (73) Assignee: **EKWB d.o.o.**
- (**) Term: **15 Years**
- (21) Appl. No.: **29/786,377**
- (22) Filed: **May 31, 2021**
- (51) **LOC (14) Cl.** **14-02**
- (52) **U.S. Cl.**
USPC **D13/179**
- (58) **Field of Classification Search**
USPC D12/163, 164, 165, 166, 171, 184, 197,
D12/216, 223; D15/5, 31; D13/179
CPC F28D 1/0435; F28D 1/05366; F28F 9/001
See application file for complete search history.

(56) **References Cited**

U.S. PATENT DOCUMENTS

D534,185 S *	12/2006	Chan	F28D 1/0333	D15/5
D541,231 S *	4/2007	Urano	D13/179	
D848,961 S *	5/2019	Fan	D13/179	
D848,962 S *	5/2019	Fan	D13/179	
D892,877 S *	8/2020	Wettig	D13/179	
D896,190 S *	9/2020	Fan	D13/179	
2014/0374074 A1 *	12/2014	Seewald	F28D 1/0333	165/153
2015/0345871 A1 *	12/2015	Jeon	F28D 1/0417	D13/179

FOREIGN PATENT DOCUMENTS

PH 32005990 * 12/2006

OTHER PUBLICATIONS

Amazon, Thread Copper Radiator PC Water Cooling Liquid Water Cooler Heat Exchanger, published Mar. 12, 2020 [retrieved on Sep. 20, 2022]. Retrieved from the internet<<https://www.amazon.com/Radiator-Thread-Copper-Cooling-Exchanger/dp/B083LDM896>> (Year: 2020).*

Amazon, EK Water Blocks EK-Quantum Surface X280M-White, published Jul. 8, 2022 [retrieved on Sep. 20, 2022]. Retrieved from the internet<https://www.amazon.com/EK-Water-Blocks-EK-Quantum-Surface/dp/BOB4HL85KY/ref=sr_1_1?keywords=EK-Quantum+Surface+X280M+-+White&q> (Year: 2022).*

* cited by examiner

Primary Examiner — Joseph Kukella
Assistant Examiner — Lavon M. Amerson
 (74) *Attorney, Agent, or Firm* — McGarry Bair PC

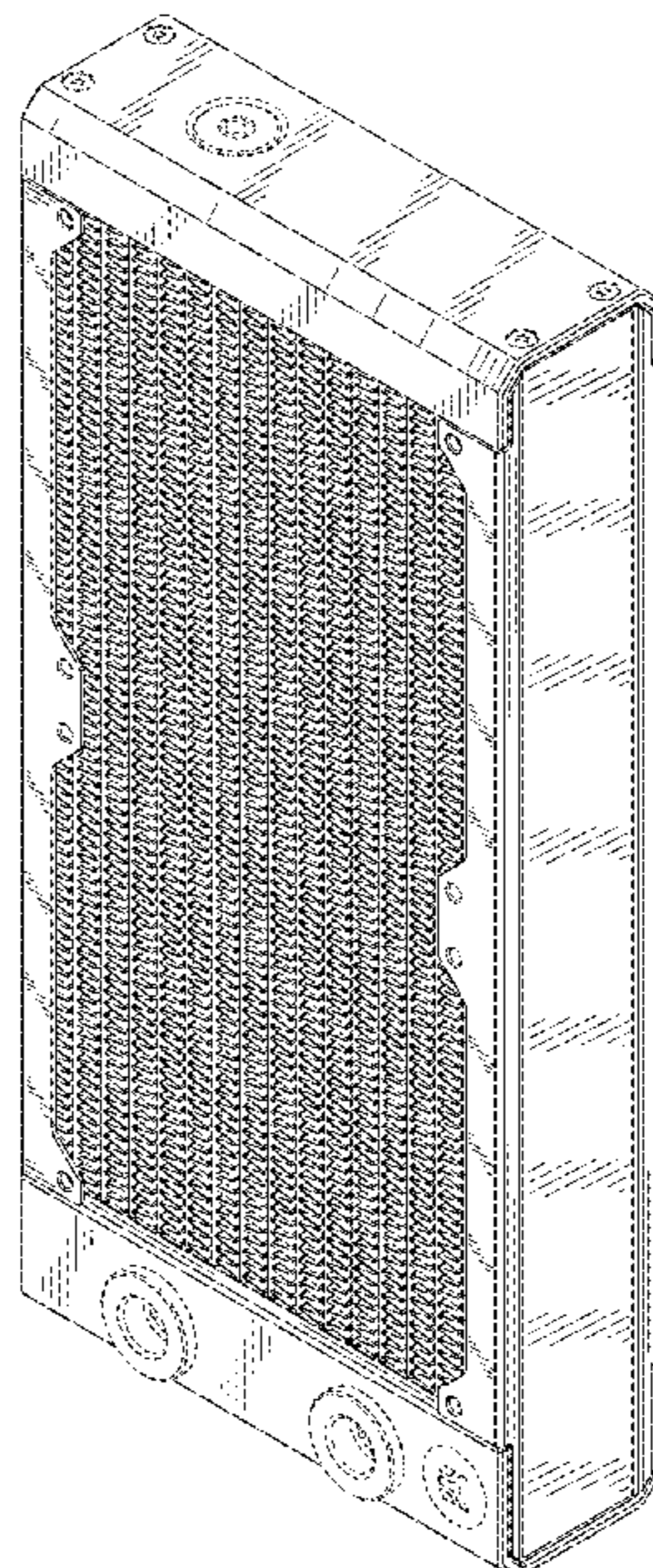
(57) **CLAIM**

The ornamental design for a radiator, as shown and described.

DESCRIPTION

FIG. 1 is a top perspective view of a radiator, showing our new design;
 FIG. 2 is a left-side view thereof;
 FIG. 3 is a front view thereof;
 FIG. 4 is a right-side view thereof;
 FIG. 5 is a rear view thereof;
 FIG. 6 is a bottom view thereof; and,
 FIG. 7 is a top view thereof.
 Portions of the radiator are shown in broken lines, which form no part of the claimed design.

1 Claim, 6 Drawing Sheets



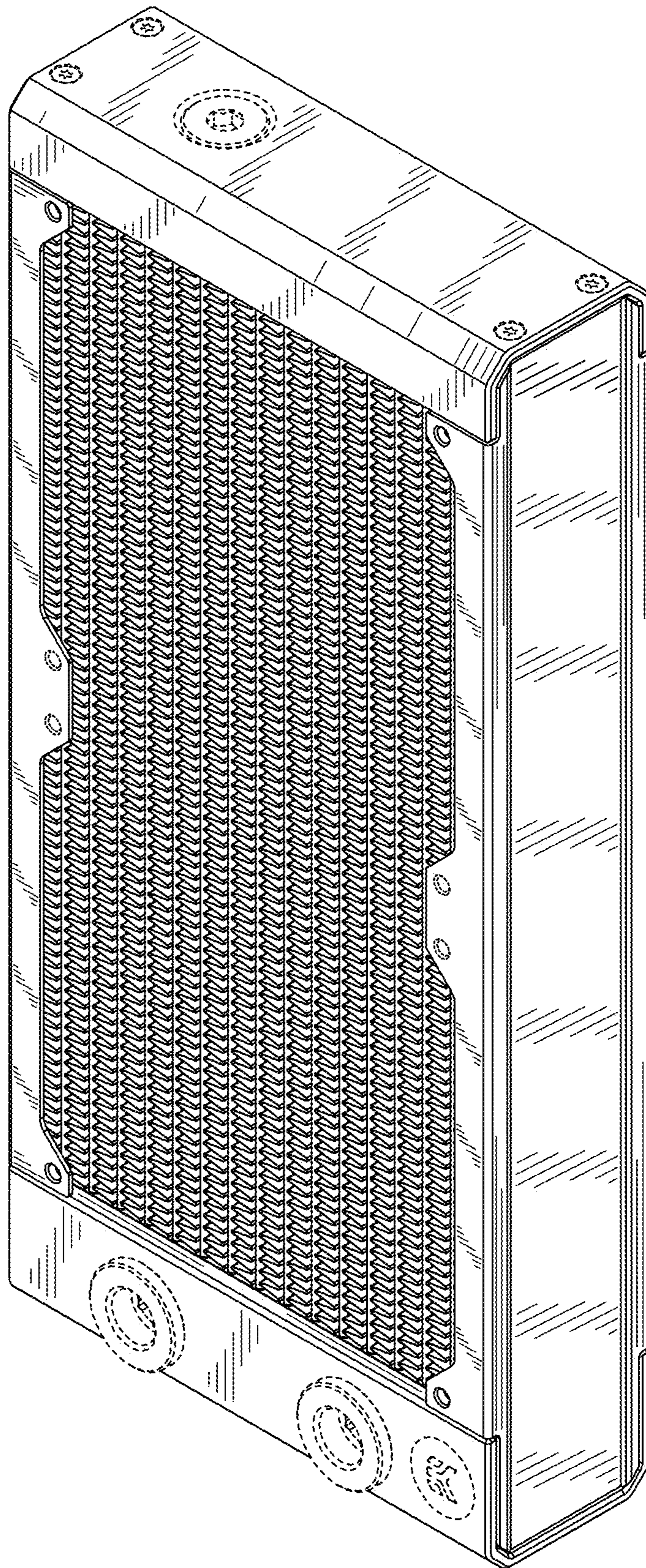


FIG. 1

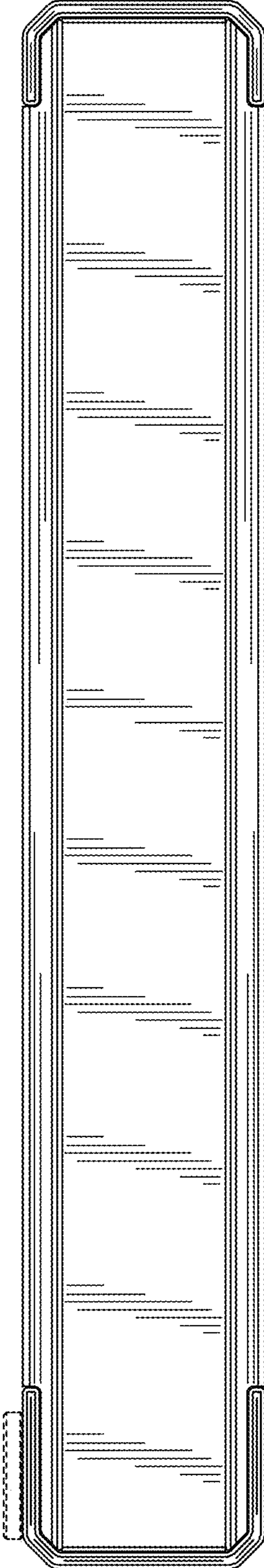


FIG. 2

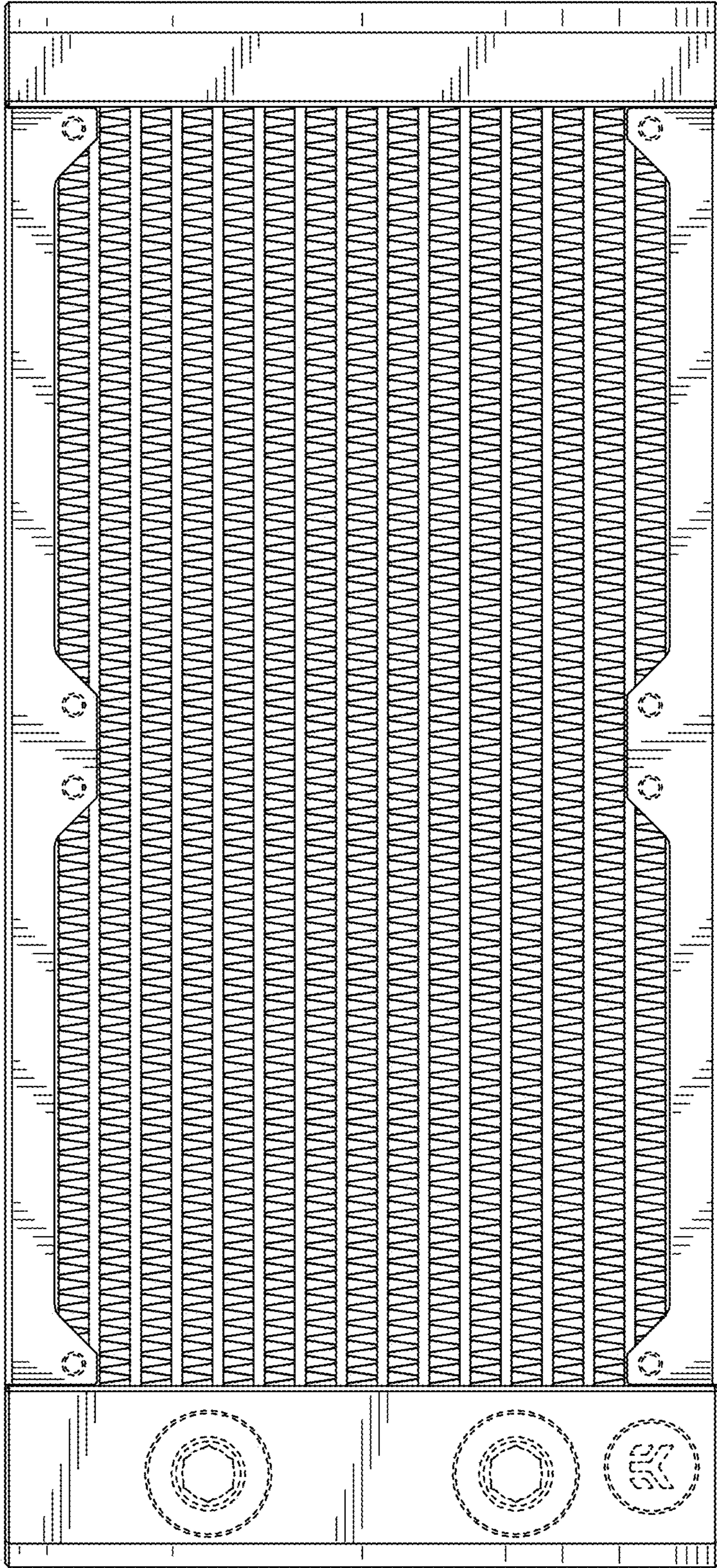


FIG. 3

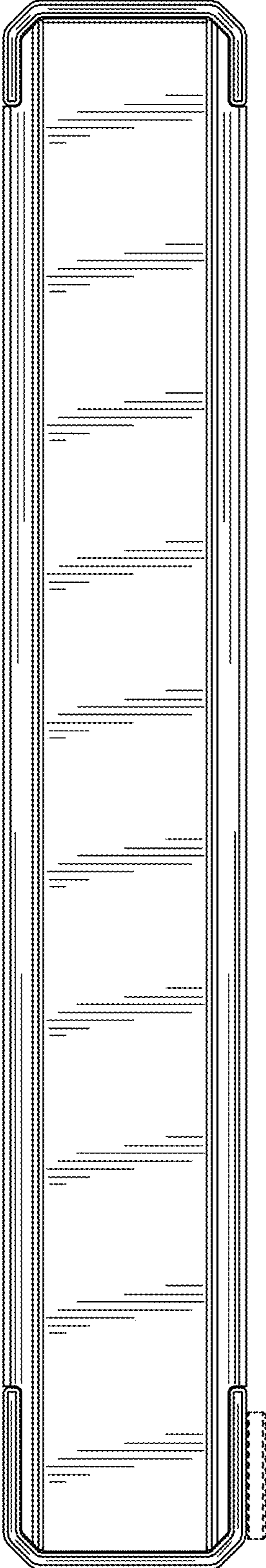


FIG. 4

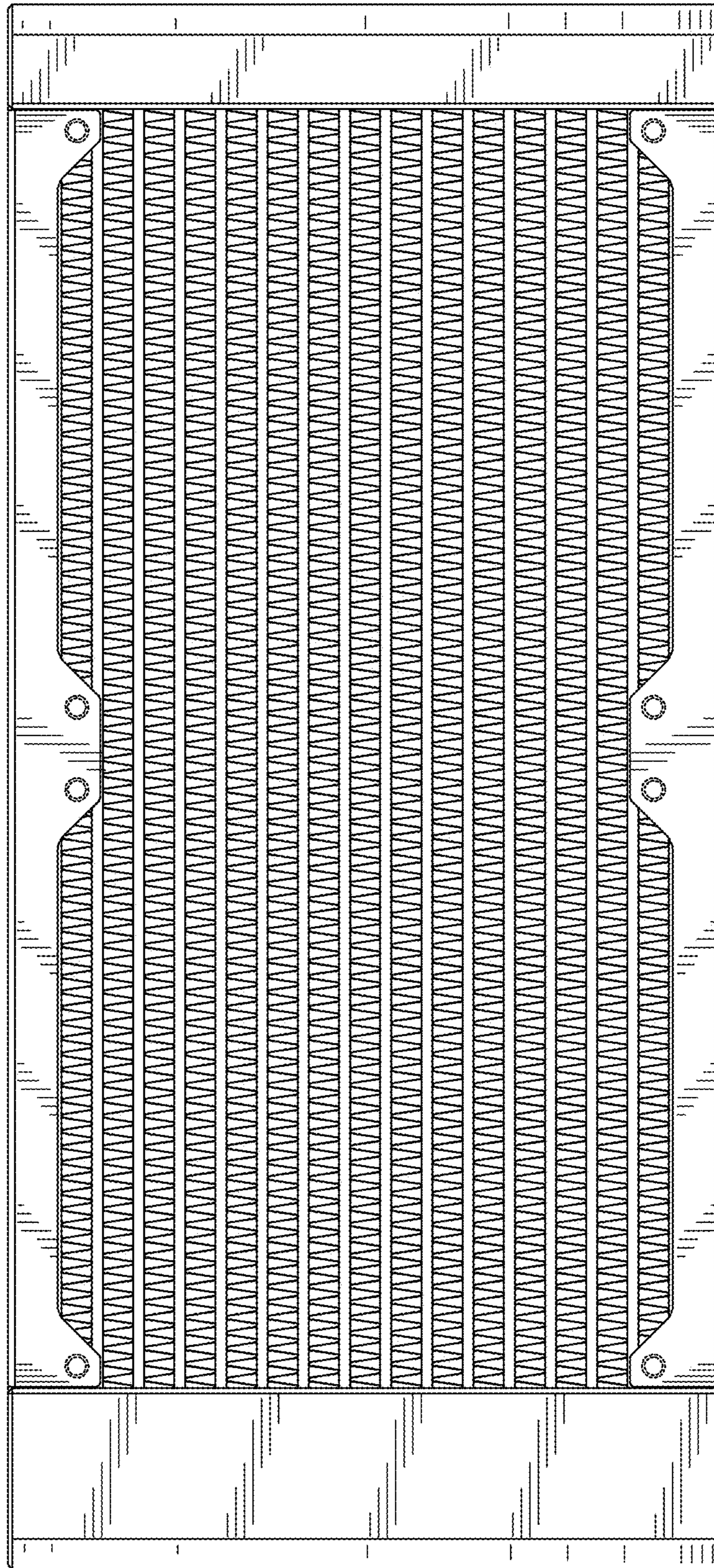


FIG. 5

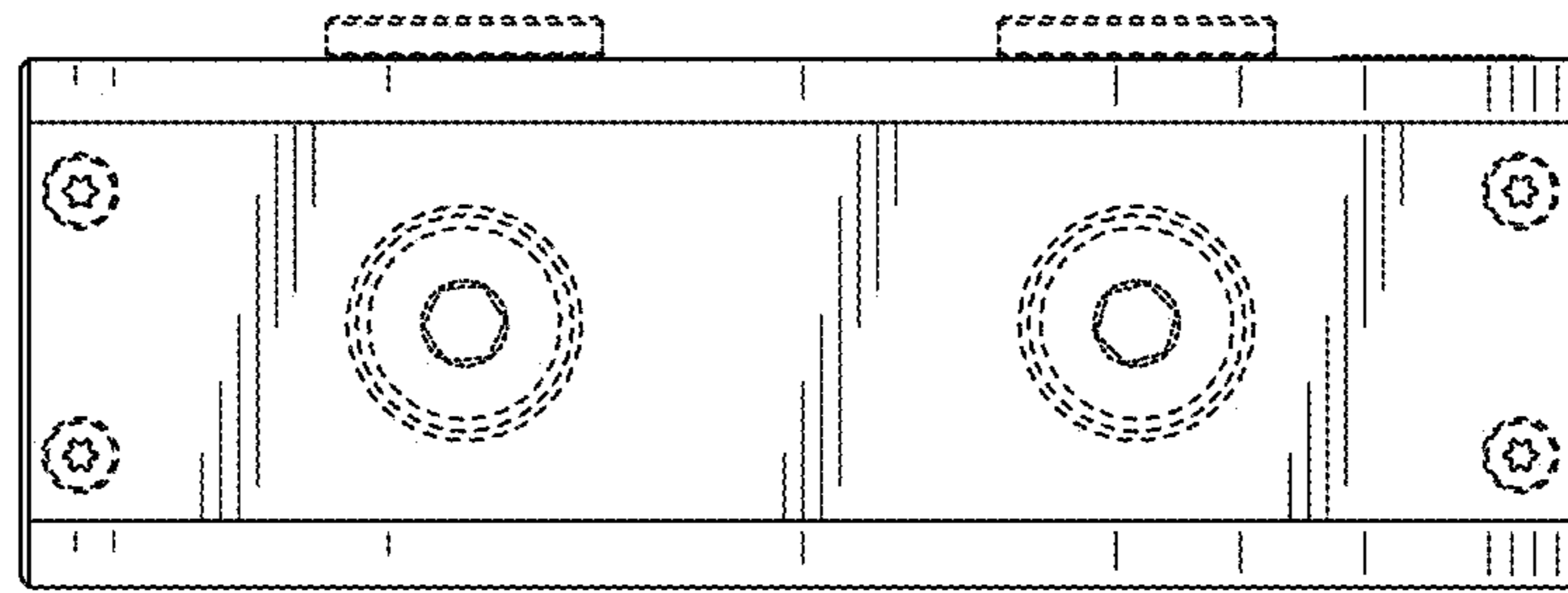


FIG. 6

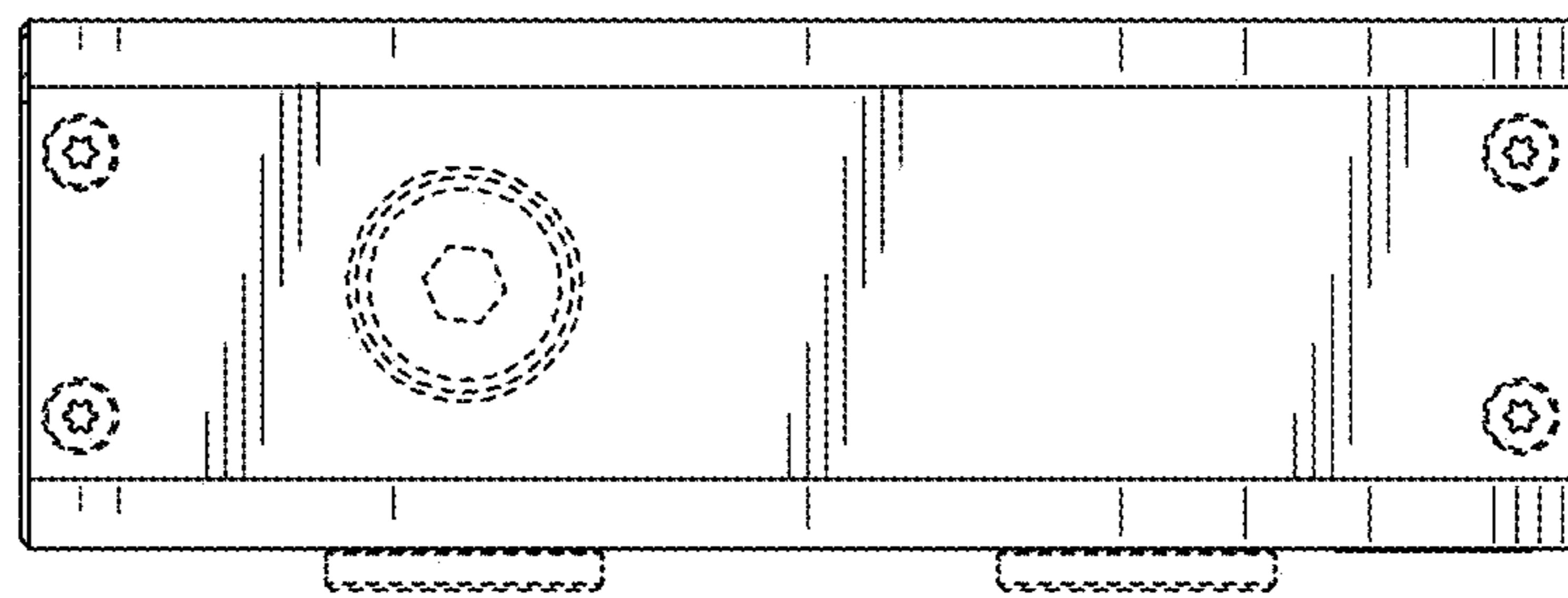


FIG. 7