



US00D976843S

(12) **United States Design Patent**
Kobayashi et al.

(10) **Patent No.:** **US D976,843 S**
(45) **Date of Patent:** **** Jan. 31, 2023**

(54) **TERMINAL**
(71) Applicant: **SHINEI HI-TEC CO., LTD.**, Nagano (JP)
(72) Inventors: **Ken'ichi Kobayashi**, Nagano (JP);
Masami Kobayashi, Nagano (JP)
(73) Assignee: **SHINEI HI-TEC CO., LTD.**, Nagano (JP)
(**) Term: **15 Years**
(21) Appl. No.: **35/512,669**
(22) Filed: **Apr. 1, 2021**
(80) **Hague Agreement Data**
Int. Filing Date: **Apr. 1, 2021**
Int. Reg. No.: **DM/213612**
Int. Reg. Date: **Apr. 1, 2021**
Int. Reg. Pub. Date: **Oct. 1, 2021**

(30) **Foreign Application Priority Data**
Oct. 2, 2020 (JP) 2020-021182 D
(51) **LOC (14) Cl.** **13-03**
(52) **U.S. Cl.**
USPC **D13/154**
(58) **Field of Classification Search**
USPC D13/154, 159, 133, 199, 147, 148
CPC H02B 1/056; H05K 3/3447; H01R 12/585;
H01R 24/64; H01R 13/112; H01R
13/2457; H01R 12/91
See application file for complete search history.

(56) **References Cited**
U.S. PATENT DOCUMENTS
3,555,497 A * 1/1971 Watanabe H01R 13/112
439/888
D280,401 S * 9/1985 Armistead D13/133

D337,991 S * 8/1993 Linton D13/133
D356,779 S * 3/1995 Ohashi D13/199
6,317,311 B1 * 11/2001 Middlehurst H02B 1/056
361/652
D453,739 S * 2/2002 Lin D13/148
D504,665 S * 5/2005 Lai D13/154
6,997,757 B2 * 2/2006 Roshardt H05K 3/3447
439/876
D556,135 S * 11/2007 Dwan D13/133
D568,247 S * 5/2008 Ho D13/133
D585,385 S * 1/2009 Chien D13/154
D594,420 S * 6/2009 Koushiro D13/154
D601,968 S * 10/2009 Chang D13/154
D665,360 S * 8/2012 Gieski D13/154
8,517,775 B1 * 8/2013 Wang H01R 24/64
439/660
D707,634 S * 6/2014 Pizzi D13/154
D708,584 S * 7/2014 Endo D13/154
D725,045 S * 3/2015 Nonen D13/154

(Continued)

Primary Examiner — Rhea Shields
(74) *Attorney, Agent, or Firm* — Wenderoth, Lind & Ponack, L.L.P.

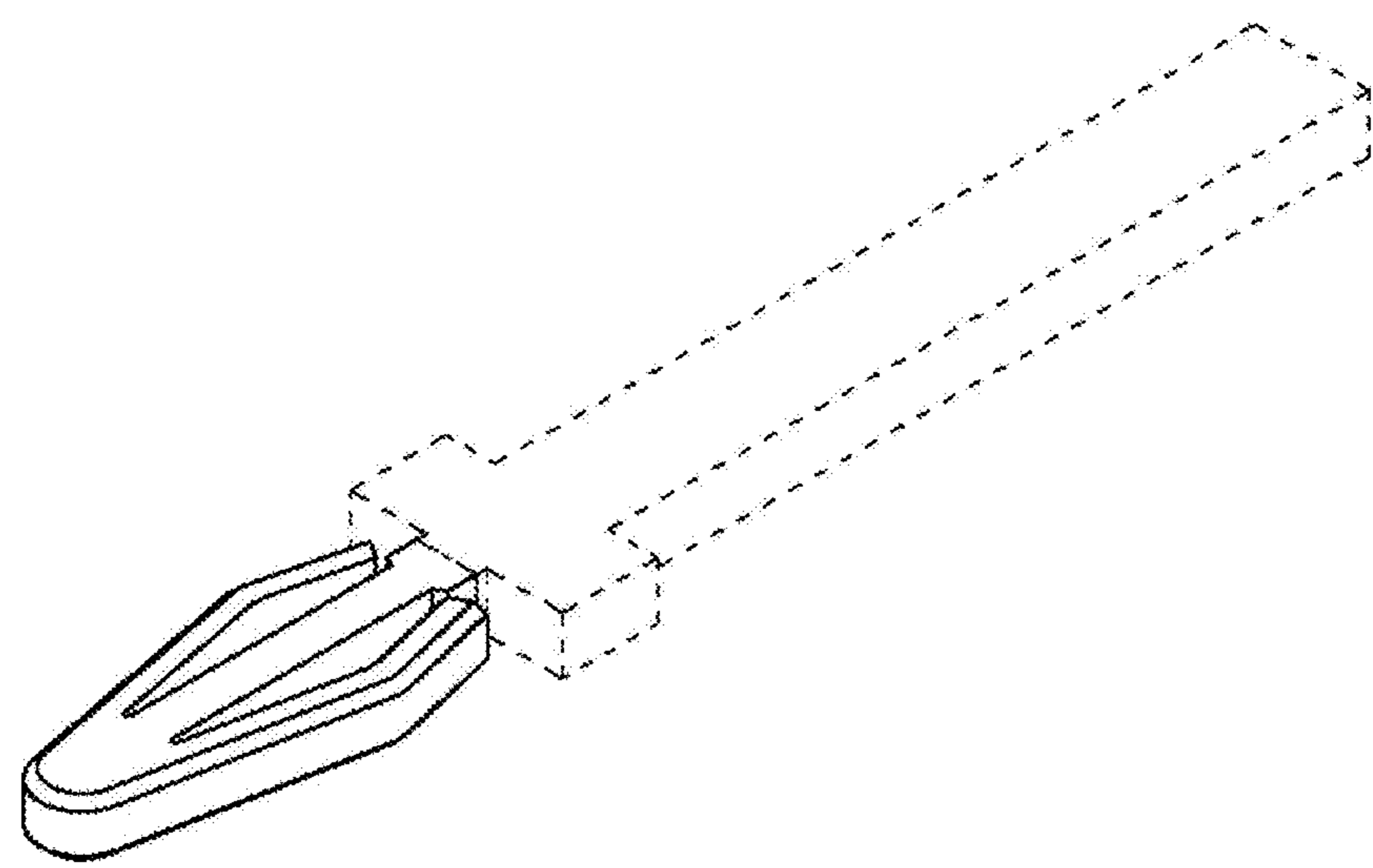
(57) **CLAIM**

The ornamental design for a terminal, as shown and described.

DESCRIPTION

1. Terminal
1.1 : Perspective
1.2 : Front
1.3 : Right
1.4 : Top
Fig. 1.1 is a perspective view of a design of a pressfit terminal; fig. 1.2 is a front view thereof; fig. 1.3 is a right view thereof; fig. 1.4 is a top view thereof; the even broken lines shown in the figures illustrate portions of the pressfit terminal that form no part of the claimed design; the dot-broken line is a boundary between the claimed-part and the non-claimed part; this article is used for electrically connecting between electronic members.

1 Claim, 4 Drawing Sheets



(56)

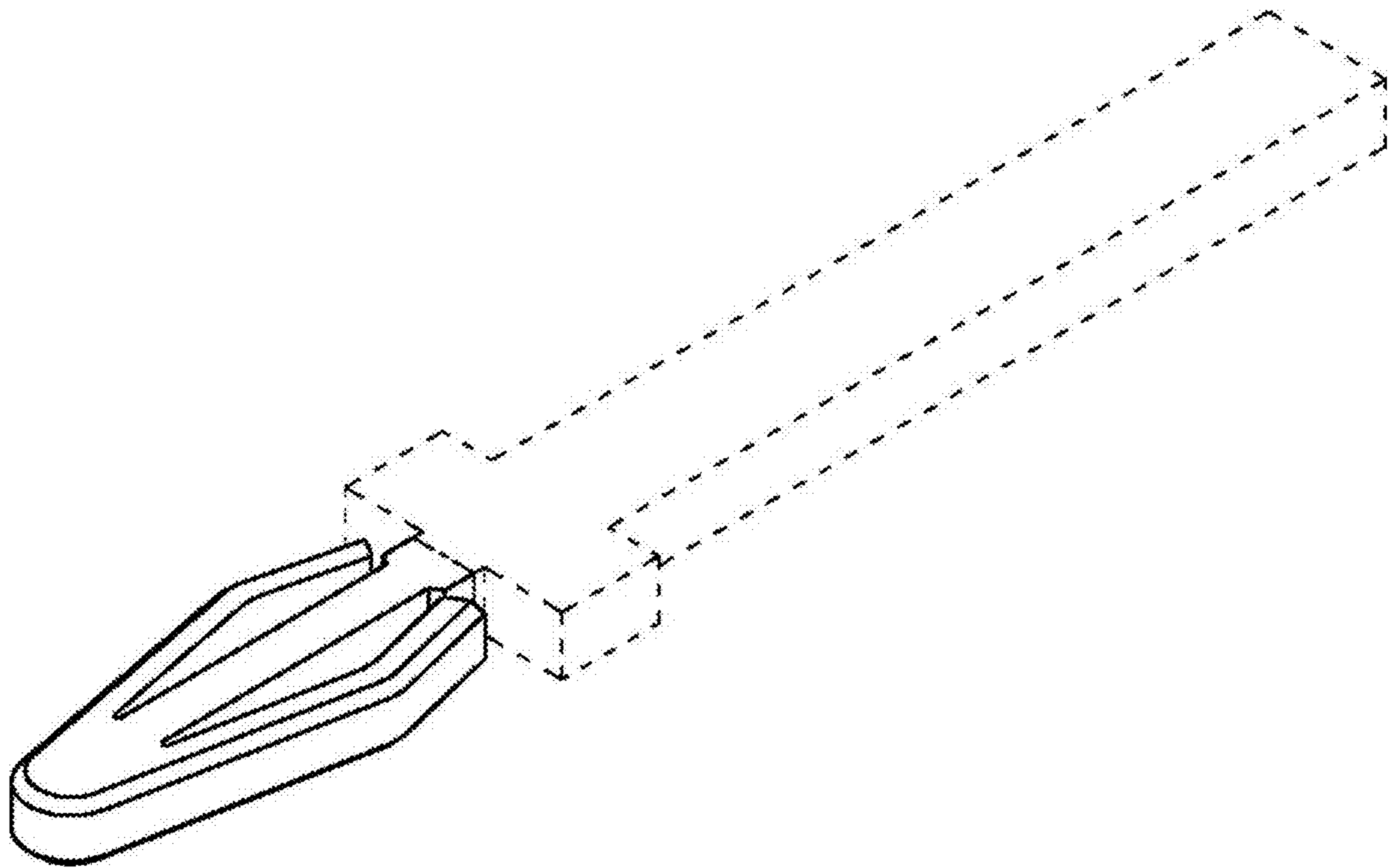
References Cited

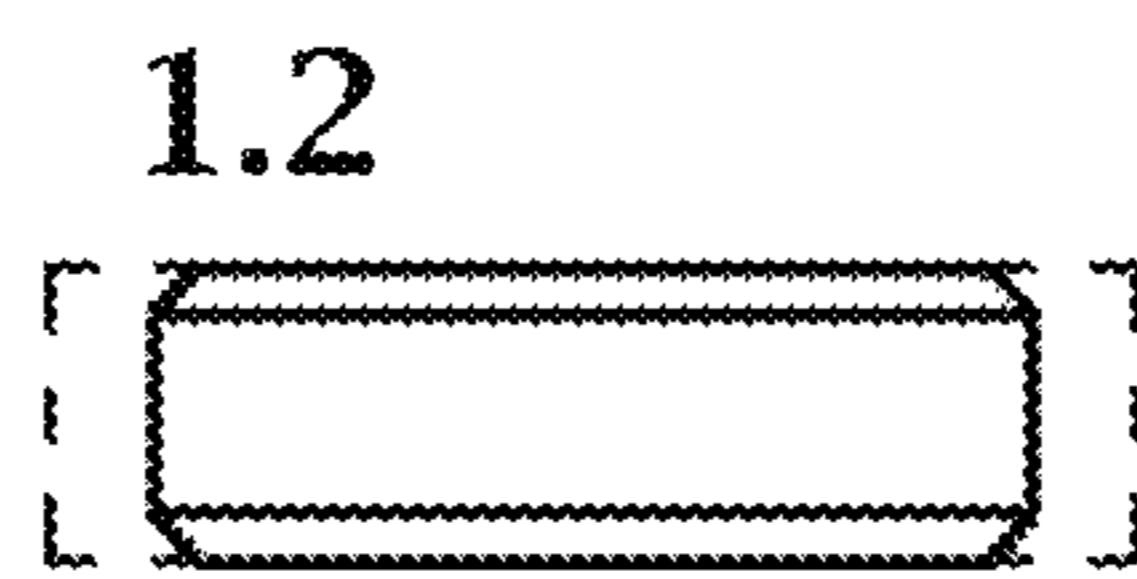
U.S. PATENT DOCUMENTS

D726,662	S *	4/2015	Honda	D13/154
D731,983	S *	6/2015	Teranishi	D13/154
D742,838	S *	11/2015	Yang	D13/154
9,190,753	B2 *	11/2015	Takaki	H01R 12/91
9,543,681	B2 *	1/2017	Chen	H01R 13/2457
D867,293	S *	11/2019	Fukuyama	D13/133
D870,675	S *	12/2019	Hayashi	D13/154
D879,047	S *	3/2020	Kato	D13/154
D883,227	S *	5/2020	Seki	D13/154
D898,677	S *	10/2020	Zhang	D13/154
D900,756	S *	11/2020	Kurita	D13/154
D907,584	S *	1/2021	Mizutani	D13/154
D913,950	S *	3/2021	Chen	D13/147
D913,951	S *	3/2021	Chen	D13/147
2006/0264076	A1 *	11/2006	Chen	H01R 12/585 439/82
2007/0010139	A1 *	1/2007	Chen	H01R 12/585 439/751

* cited by examiner

1.1





1.3



1.4

