



US00D976842S

(12) **United States Design Patent** (10) **Patent No.:** **US D976,842 S**  
**Pang** (45) **Date of Patent:** **\*\* Jan. 31, 2023**

(54) **USB CABLE**

FOREIGN PATENT DOCUMENTS

(71) Applicant: **Qiping Pang**, Daxian (CN)

GB 6139108 \* 5/2021

(72) Inventor: **Qiping Pang**, Daxian (CN)

OTHER PUBLICATIONS

(\*\*) Term: **15 Years**

USB C Multi Fast Charging Cable, Date First Available: Dec. 7, 2020, [online], [retrieved on Nov. 15, 2022]. Retrieved from Internet, <URL: https://www.amazon.com/Charging-MJEMS-Braided-Charger-Compatible/dp/B08PVLGWQY/ref=sr\_1\_1?crid=P6WH5QZVUJTD&keywords=USB%2BC%2BMulti%2BFast%2BCharging%2BCable%2BMJEMS%2BPD%2B60W%2BNylon%2BBraided%2BCord%2B4-in-1&qid=1668556670&srefix=usb%2Bc%2Bmulti%2Bfast%2Bcharging%2Bcable%2Bmjems%2Bpd%2B60w%2Bnylon%2Bbraided%2Bcord%2B4-in-1%2Caps%2C133&sr=8-1&th=1 >.\*

(21) Appl. No.: **29/785,443**

(22) Filed: **May 26, 2021**

(51) **LOC (14) Cl.** ..... **13-03**

(52) **U.S. Cl.**  
USPC ..... **D13/147**

(58) **Field of Classification Search**

USPC ..... D13/154, 146, 147, 123, 133, D13/137.1-139.8, 110, 159, 184, 199, D13/112, 101, 113-116, 122, 152, 156, D13/153; D8/354, 356; D14/433, 435.1, D14/358  
CPC ..... H01R 4/183; H01R 4/01; H01R 4/646; H01R 24/64; H01R 24/62; H01R 13/506; H01B 7/04

See application file for complete search history.

(Continued)

*Primary Examiner* — Bridget L Eland  
(74) *Attorney, Agent, or Firm* — Rumit R. Kanakia

(57) **CLAIM**

The ornamental design for a USB cable, as shown and described.

(56) **References Cited**

**DESCRIPTION**

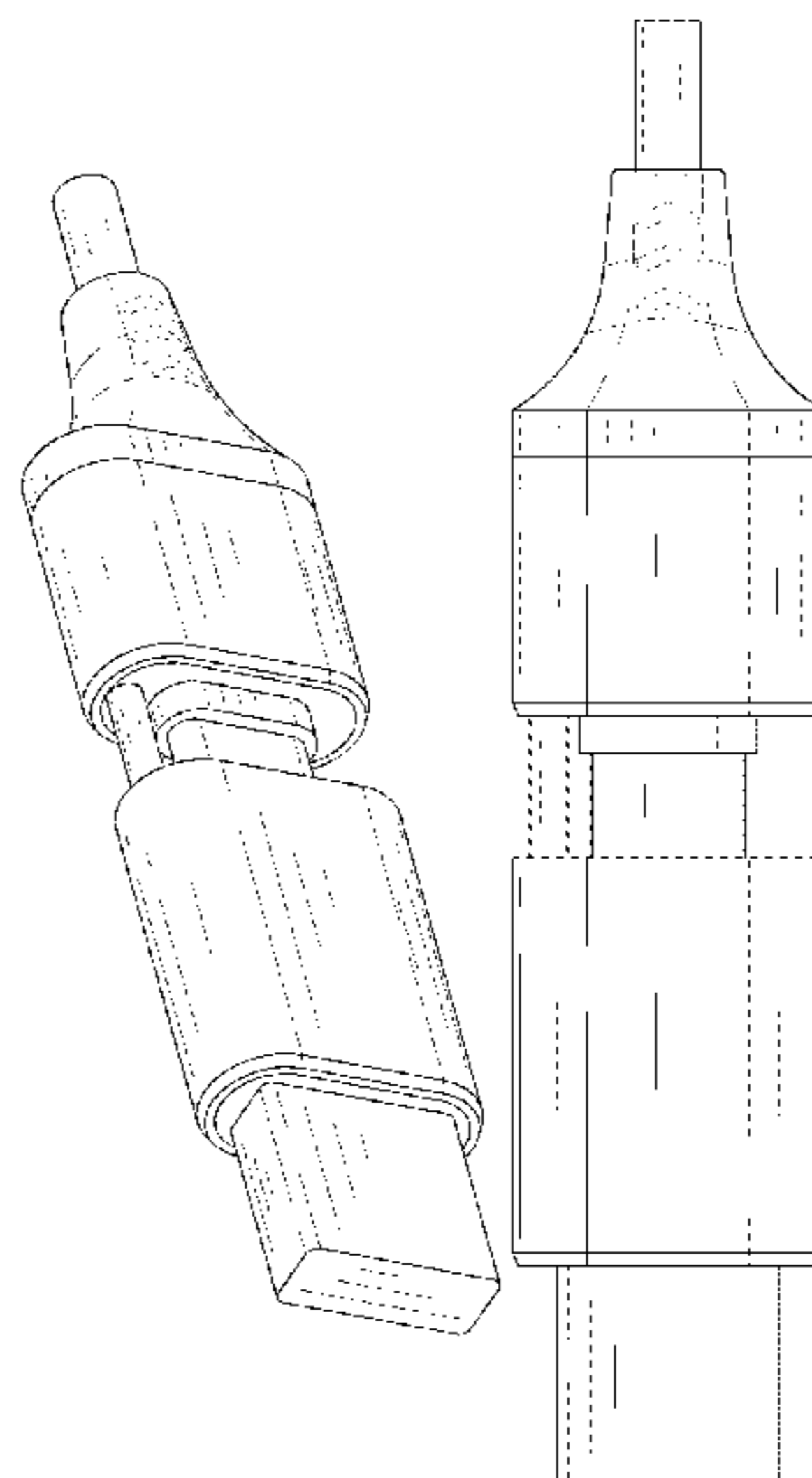
U.S. PATENT DOCUMENTS

|              |         |           |       |         |
|--------------|---------|-----------|-------|---------|
| D516,030 S * | 2/2006  | Han       | ..... | D13/147 |
| D619,963 S * | 7/2010  | Hou       | ..... | D13/133 |
| D634,710 S * | 3/2011  | Hsieh     | ..... | D13/147 |
| D636,337 S * | 4/2011  | Smith     | ..... | D13/153 |
| D680,076 S * | 4/2013  | McManigal | ..... | D13/147 |
| D705,174 S * | 5/2014  | Wong      | ..... | D13/147 |
| D705,175 S * | 5/2014  | Chu       | ..... | D13/147 |
| D727,907 S * | 4/2015  | Higashi   | ..... | D14/433 |
| D739,356 S * | 9/2015  | Lin       | ..... | D13/146 |
| D739,824 S * | 9/2015  | Lin       | ..... | D13/146 |
| D786,876 S * | 5/2017  | Huang     | ..... | D14/433 |
| D819,576 S * | 6/2018  | Hahn      | ..... | D13/153 |
| D832,849 S * | 11/2018 | Kim       | ..... | D14/433 |
| D853,394 S * | 7/2019  | McCracken | ..... | D14/433 |
| D853,395 S * | 7/2019  | McCracken | ..... | D14/433 |
| D881,815 S * | 4/2020  | Lackner   | ..... | D13/133 |
| D898,032 S * | 10/2020 | Yuan      | ..... | D13/153 |
| D944,205 S * | 2/2022  | Underhill | ..... | D13/133 |

FIG. 1 is a first perspective view of a USB cable showing my new design;  
FIG. 2 is a second perspective view thereof;  
FIG. 3 is a front view thereof;  
FIG. 4 is a back view thereof;  
FIG. 5 is a left side view thereof;  
FIG. 6 is a right side view thereof;  
FIG. 7 is a top view thereof;  
FIG. 8 is a bottom view thereof; and,  
FIG. 9 is a front view of the USB cable of FIG. 1 shown in another state.

The broken lines shown in the drawings depict portions of the USB cable in which the design is embodied that form no part of the claimed design.

**1 Claim, 9 Drawing Sheets**



(56)

**References Cited**

OTHER PUBLICATIONS

Mtakya Multi 5 in 1 Universal USB C Fast Charging Cable, Date First Available: Nov. 15, 2021, [online], [retrieved on Nov. 15, 2022]. Retrieved from Internet ,<URL: [https://www.amazon.com/MTAKYI-Universal-Charging-Charger-Lightning/dp/B09LVHX4R3/ref=sr\\_1\\_1?crid=2WCQ0UX0GRFG9&keywords=MTAKYA%2BMulti%2B5%2Bin%2B1%2BUniversal%2BUSB%2BC%2BFast%2BCharging%2BCable&qid=1668557149&srefix=mtakya%2Bmulti%2B5%2Bin%2B1%2Buniversal%2Busb%2Bc%2Bfast%2Bcharging%2Bcable%2Caps%2C230&sr=8-1&th=1](https://www.amazon.com/MTAKYI-Universal-Charging-Charger-Lightning/dp/B09LVHX4R3/ref=sr_1_1?crid=2WCQ0UX0GRFG9&keywords=MTAKYA%2BMulti%2B5%2Bin%2B1%2BUniversal%2BUSB%2BC%2BFast%2BCharging%2BCable&qid=1668557149&srefix=mtakya%2Bmulti%2B5%2Bin%2B1%2Buniversal%2Busb%2Bc%2Bfast%2Bcharging%2Bcable%2Caps%2C230&sr=8-1&th=1) >.\*

YouTube Internet Publication by Manhattan Products, 4-in-1 Charge & Sync USB Cable, Publication Date: Jan. 7, 2021, [online], [retrieved on Nov. 15, 2022]. Retrieved from Internet ,<URL: <https://www.youtube.com/watch?v=6ROtP5ghe5U>>.\*

\* cited by examiner

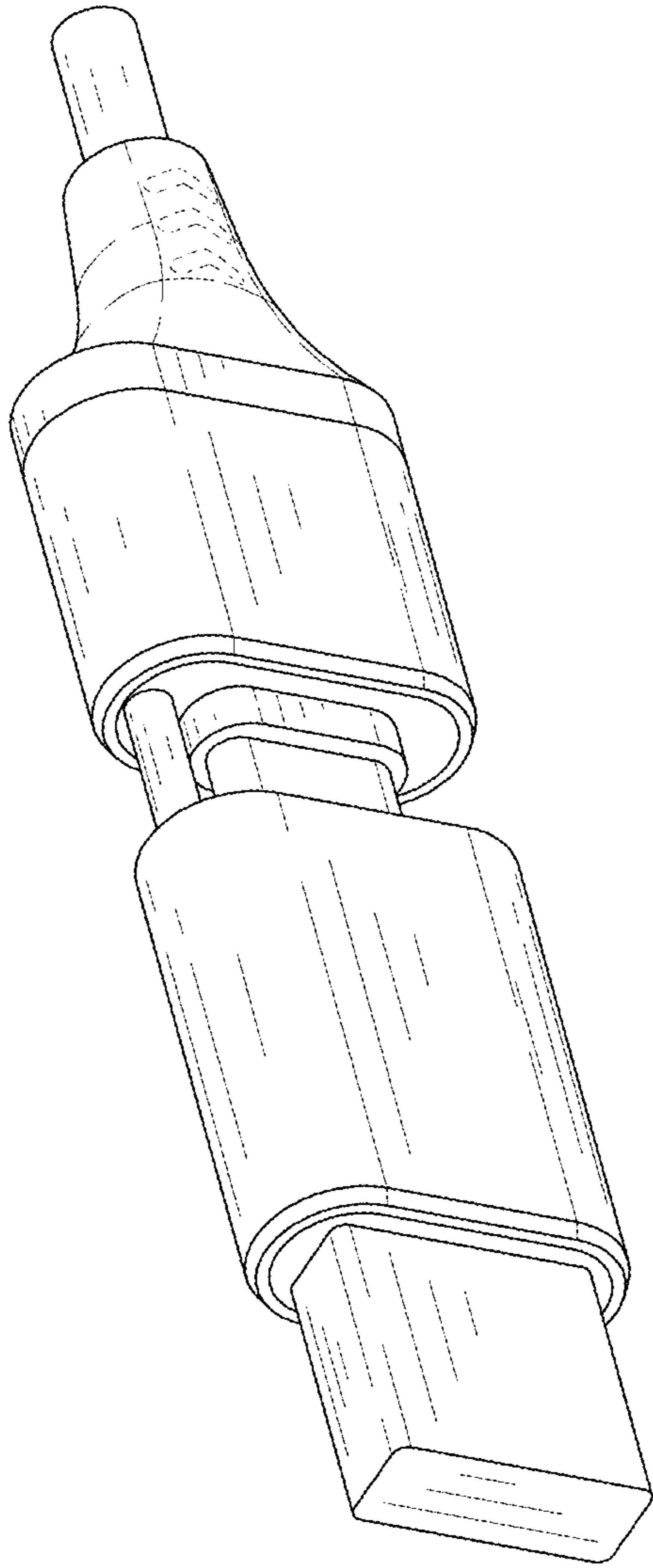


FIG. 1

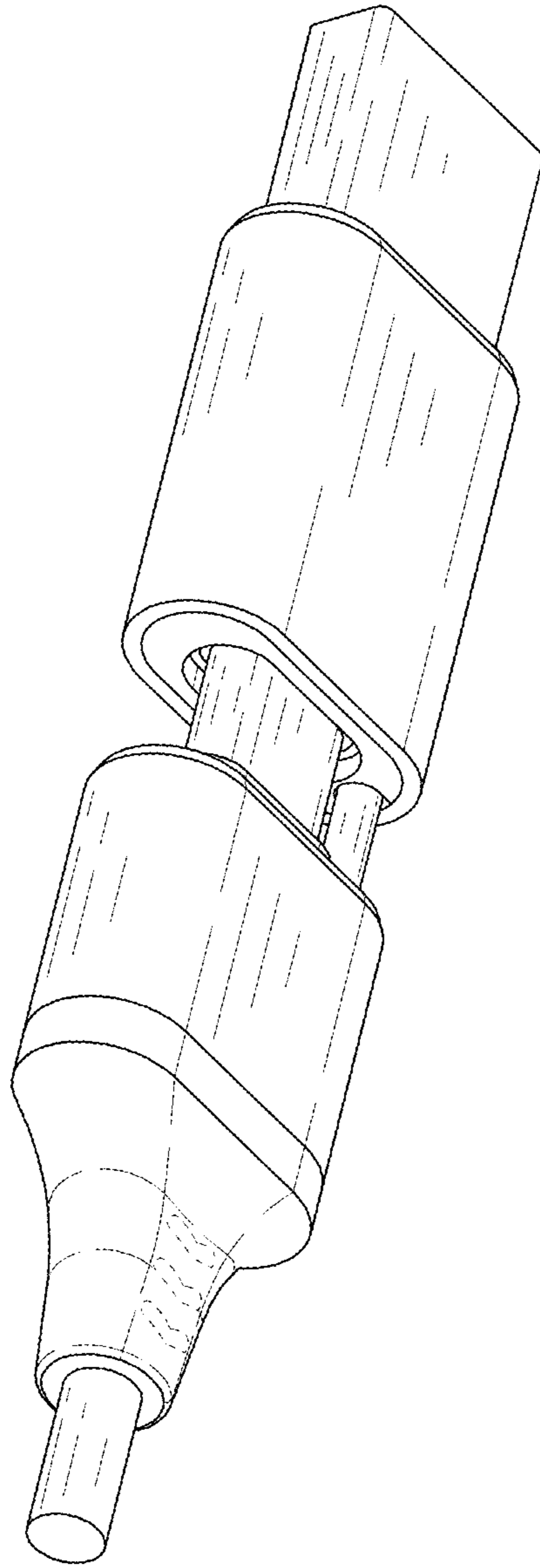


FIG. 2

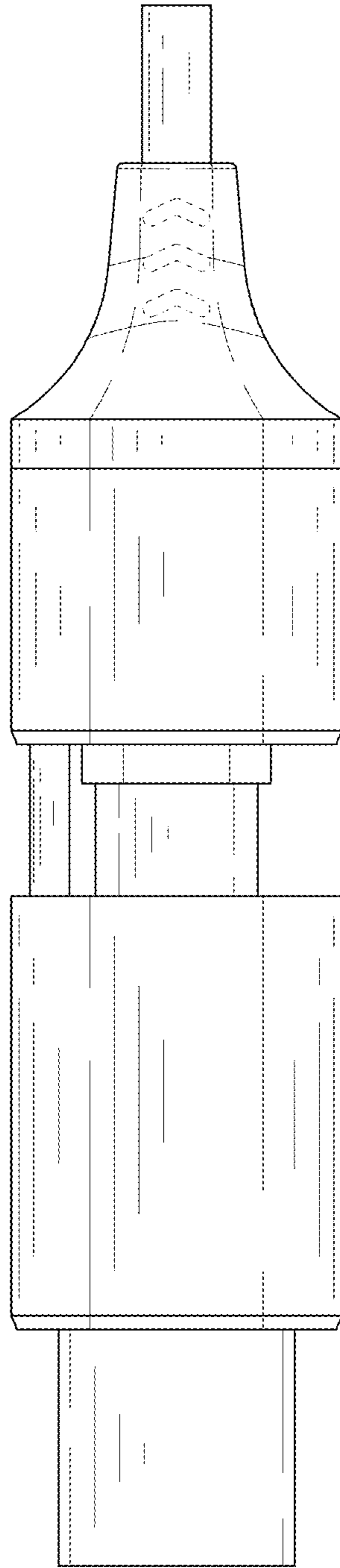


FIG. 3

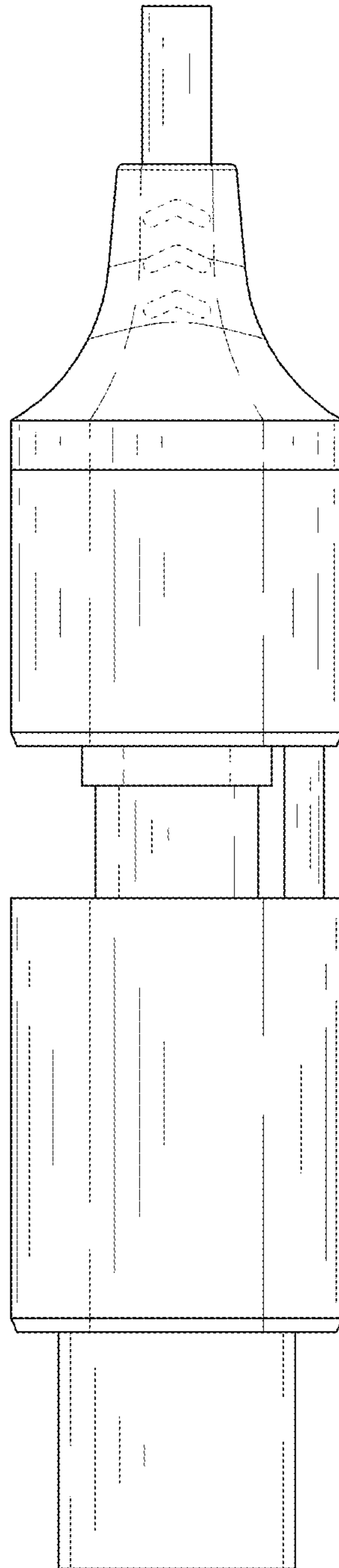


FIG. 4

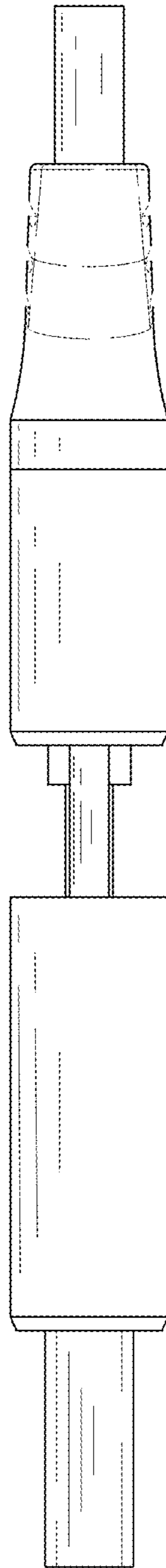


FIG. 5

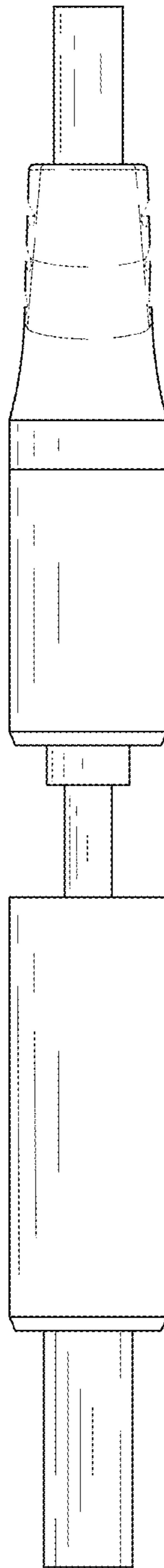


FIG. 6



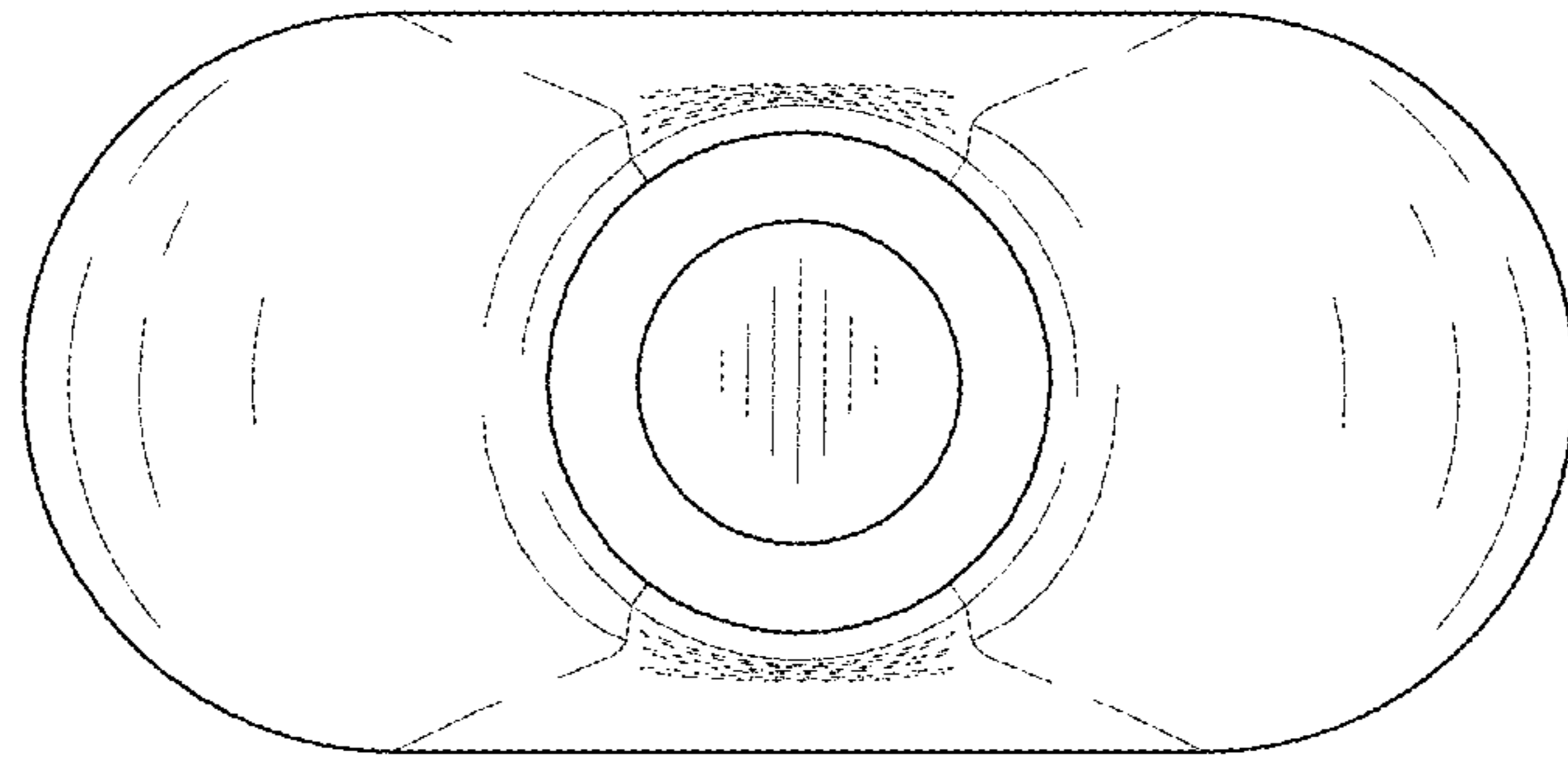


FIG. 7

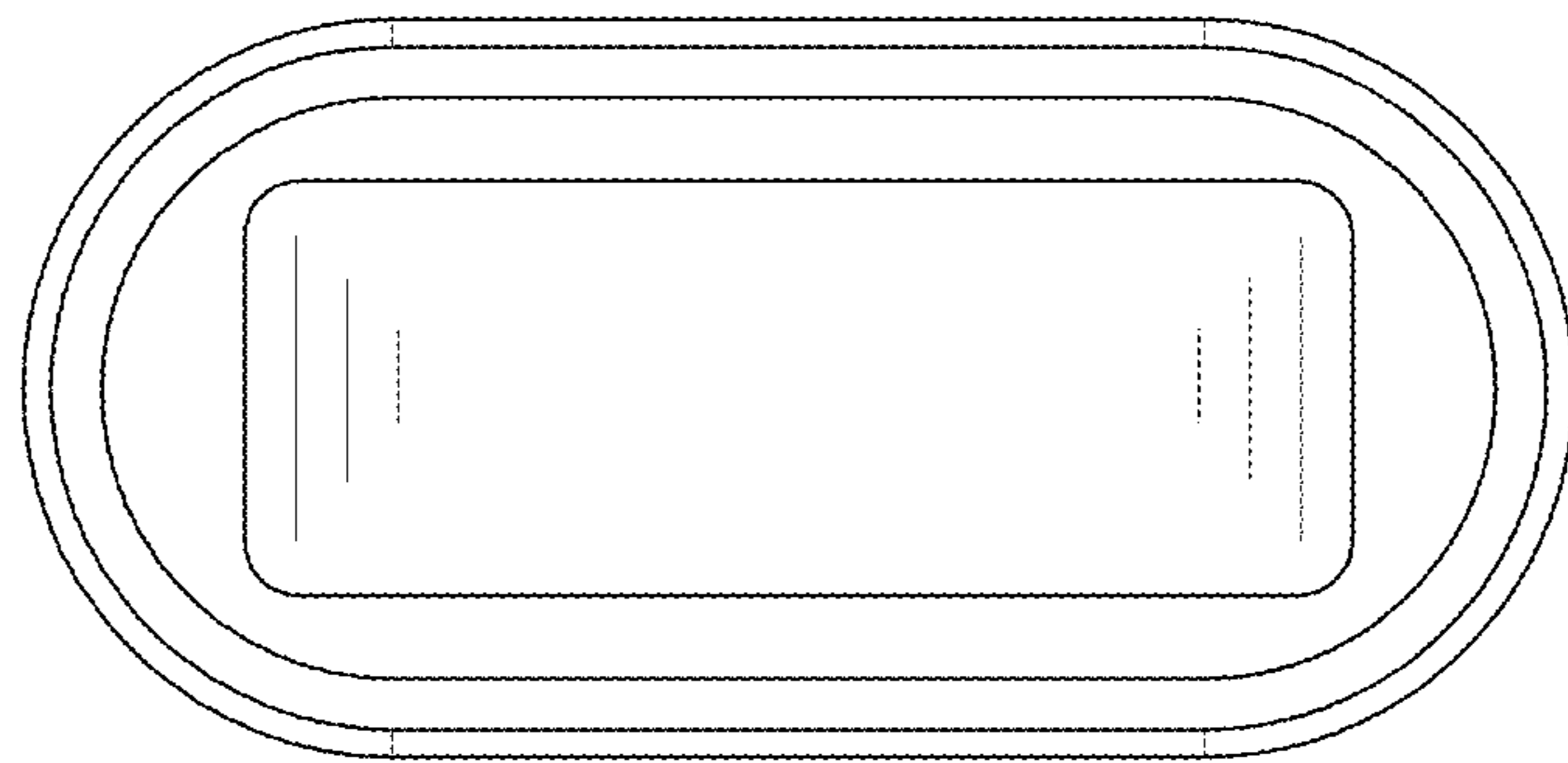


FIG. 8

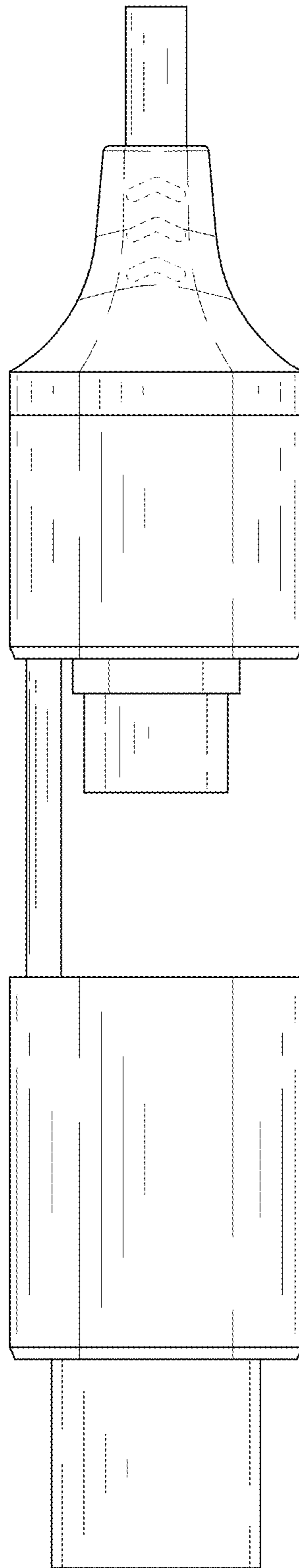


FIG. 9