



US00D976840S

(12) **United States Design Patent**
Kanno

(10) **Patent No.:** **US D976,840 S**

(45) **Date of Patent:** **** Jan. 31, 2023**

(54) **CONNECTOR**

(71) Applicant: **Japan Aviation Electronics Industry, Limited**, Tokyo (JP)

(72) Inventor: **Hideyuki Kanno**, Tokyo (JP)

(73) Assignee: **JAPAN AVIATION ELECTRONICS INDUSTRY, LIMITED**, Tokyo (JP)

(**) Term: **15 Years**

(21) Appl. No.: **29/772,062**

(22) Filed: **Feb. 26, 2021**

(30) **Foreign Application Priority Data**

Oct. 28, 2020 (JP) 2020-023254 D

(51) **LOC (14) Cl.** **13-03**

(52) **U.S. Cl.**
USPC **D13/147; D13/133**

(58) **Field of Classification Search**
USPC D8/396; D10/80, 114.1; D13/133,
D13/138.1, 139.1, 146-147, 149,
D13/153-154, 199; D14/433; D15/146;
D23/226, 262; D24/138
CPC H01R 13/56; H01R 13/516; H01R 13/631;
H01R 13/748; H01R 13/5208; H01R
13/5213

See application file for complete search history.

(56) **References Cited**

U.S. PATENT DOCUMENTS

- 3,056,942 A * 10/1962 Carbaugh H01R 13/516
174/541
- D213,697 S * 4/1969 Oxley D13/147
- D349,099 S * 7/1994 Robertson, Jr. D13/147
- 5,609,492 A * 3/1997 Sato H01R 13/5213
439/142
- 5,762,520 A * 6/1998 Martin H01R 13/56
439/470

- D409,573 S * 5/1999 Shimojo D13/147
- D427,568 S * 7/2000 Ko D13/147
- D639,250 S * 6/2011 Svelnis D13/154

(Continued)

OTHER PUBLICATIONS

KNO1, Date: 2022, [online], [site visited May 19, 2022]. Available from internet, URL: <https://www.jae.com/en/connectors/series/detail/id=64255> (Year: 2022).*

(Continued)

Primary Examiner — Shawn T Gingrich

Assistant Examiner — Bryan N. Melvin

(74) *Attorney, Agent, or Firm* — Manabu Kanesaka

(57) **CLAIM**

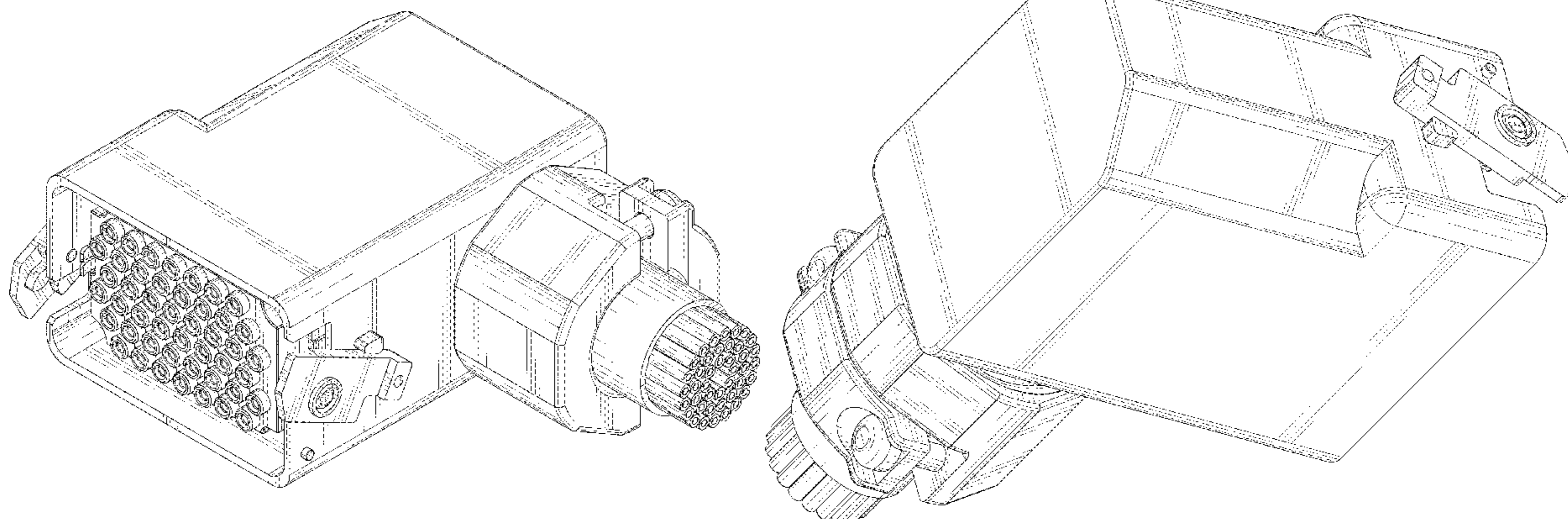
The ornamental design for a connector, as shown and described.

DESCRIPTION

FIG. 1 is a front elevational view of a connector showing my new design;
 FIG. 2 is a rear elevational view thereof;
 FIG. 3 is a right side elevational view thereof;
 FIG. 4 is a left side elevational view thereof;
 FIG. 5 is a top plan view thereof;
 FIG. 6 is a bottom plan view thereof;
 FIG. 7 is a perspective view showing a front, top and right side thereof;
 FIG. 8 is a perspective view showing a rear, bottom and left side thereof;
 FIG. 9 is a perspective view showing a front, right and bottom side thereof; and,
 FIG. 10 is a perspective view showing a rear, left and top side thereof.

The broken line showing of the connector is for the purpose of illustrating portions of the article and forms no part of the claimed design.

1 Claim, 10 Drawing Sheets



(56)

References Cited

U.S. PATENT DOCUMENTS

D670,250 S * 11/2012 Nakabayashi D13/147
8,568,169 B2 * 10/2013 Akiguchi H01R 13/631
439/589
8,771,014 B2 * 7/2014 Nakamura H01R 13/5208
439/587
D720,698 S * 1/2015 Zerebilov D13/147
9,531,115 B2 * 12/2016 Ebihara H01R 13/748

OTHER PUBLICATIONS

KNO2, Date: 2018, [online], [site visited May 19, 2022]. Available from internet, URL: <https://www.jae.com/en/connectors/series/detail/id=64256> (Year: 2018).*

* cited by examiner

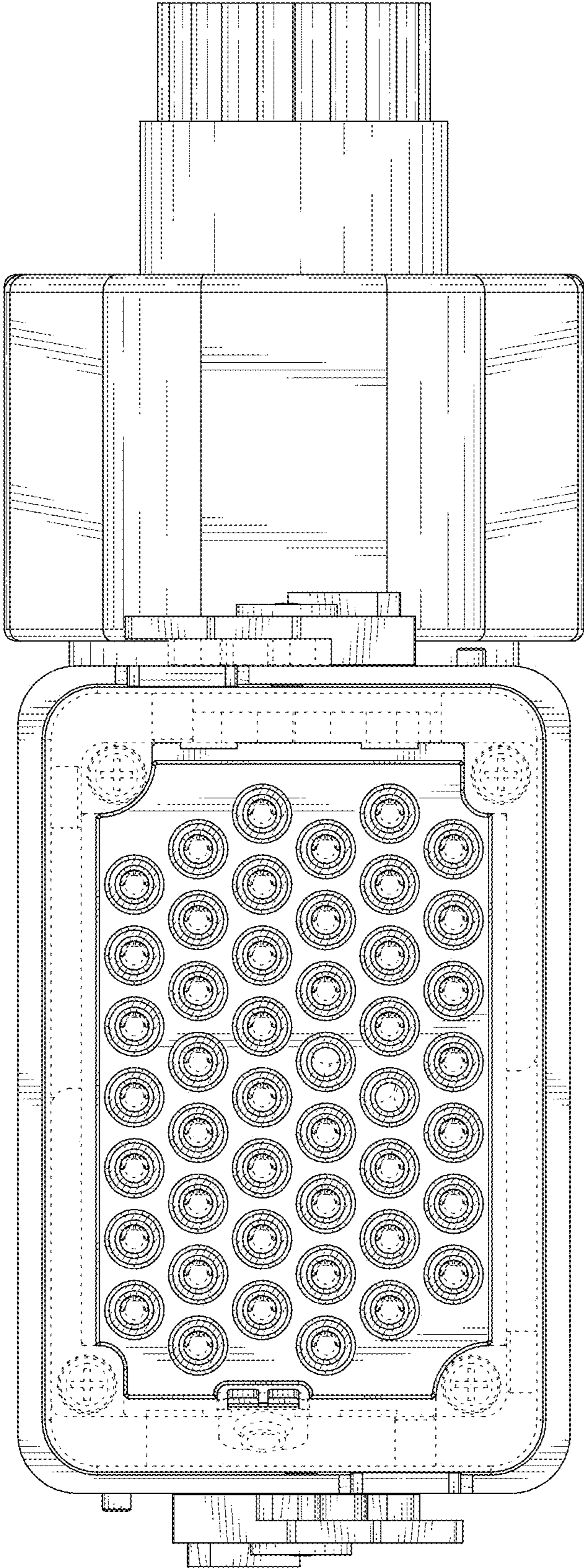


FIG. 1

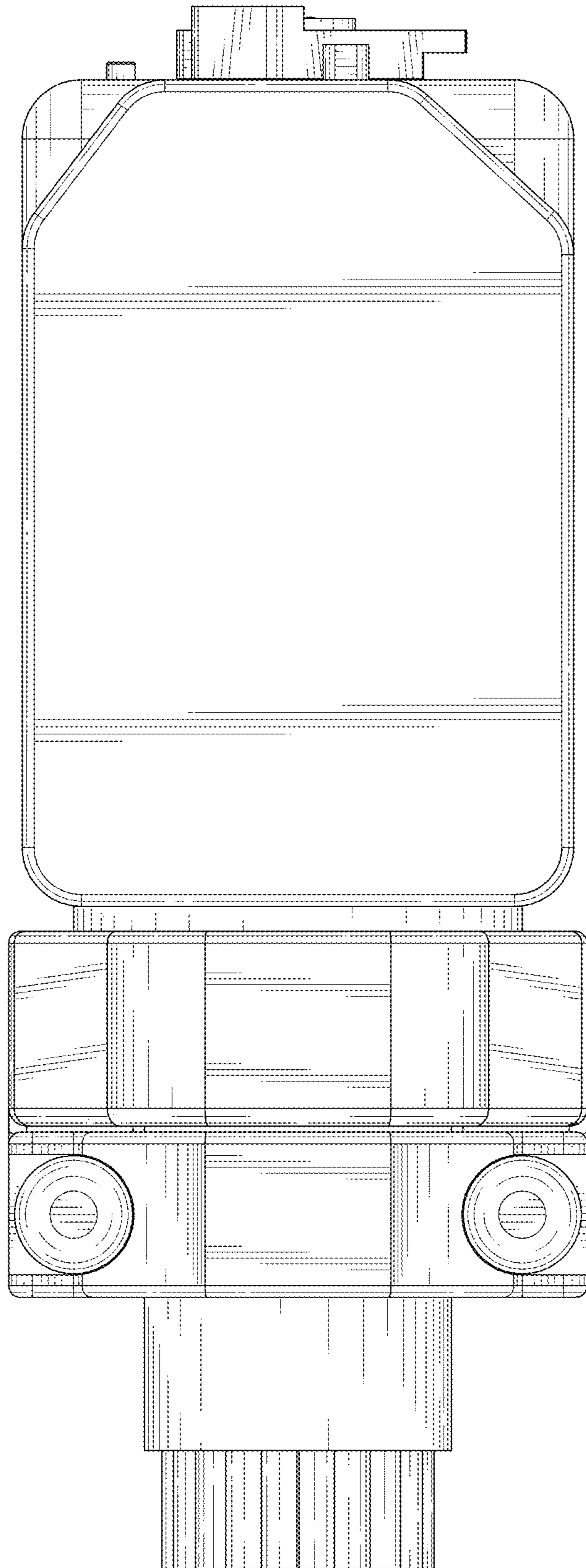


FIG. 2

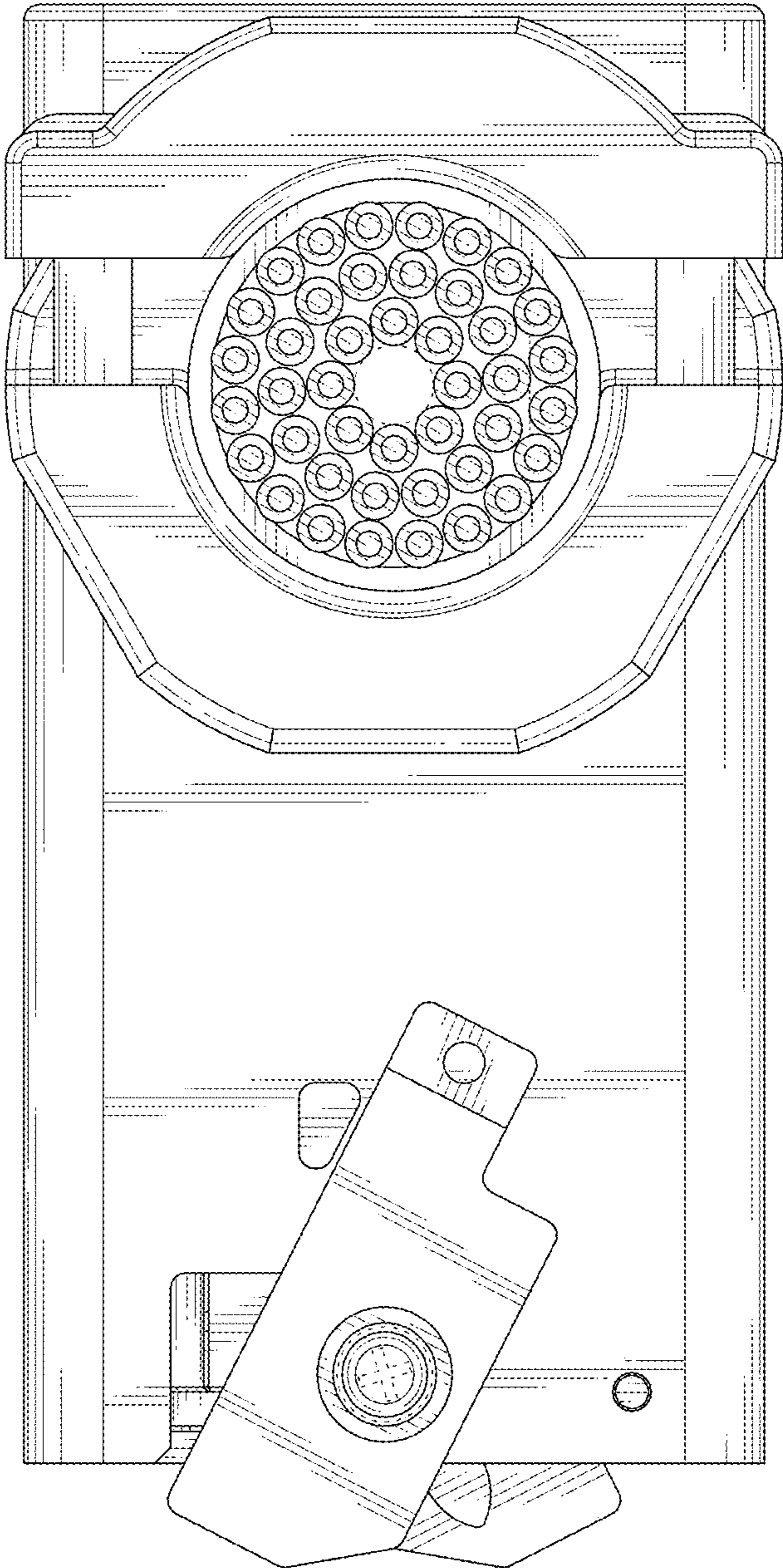


FIG. 3

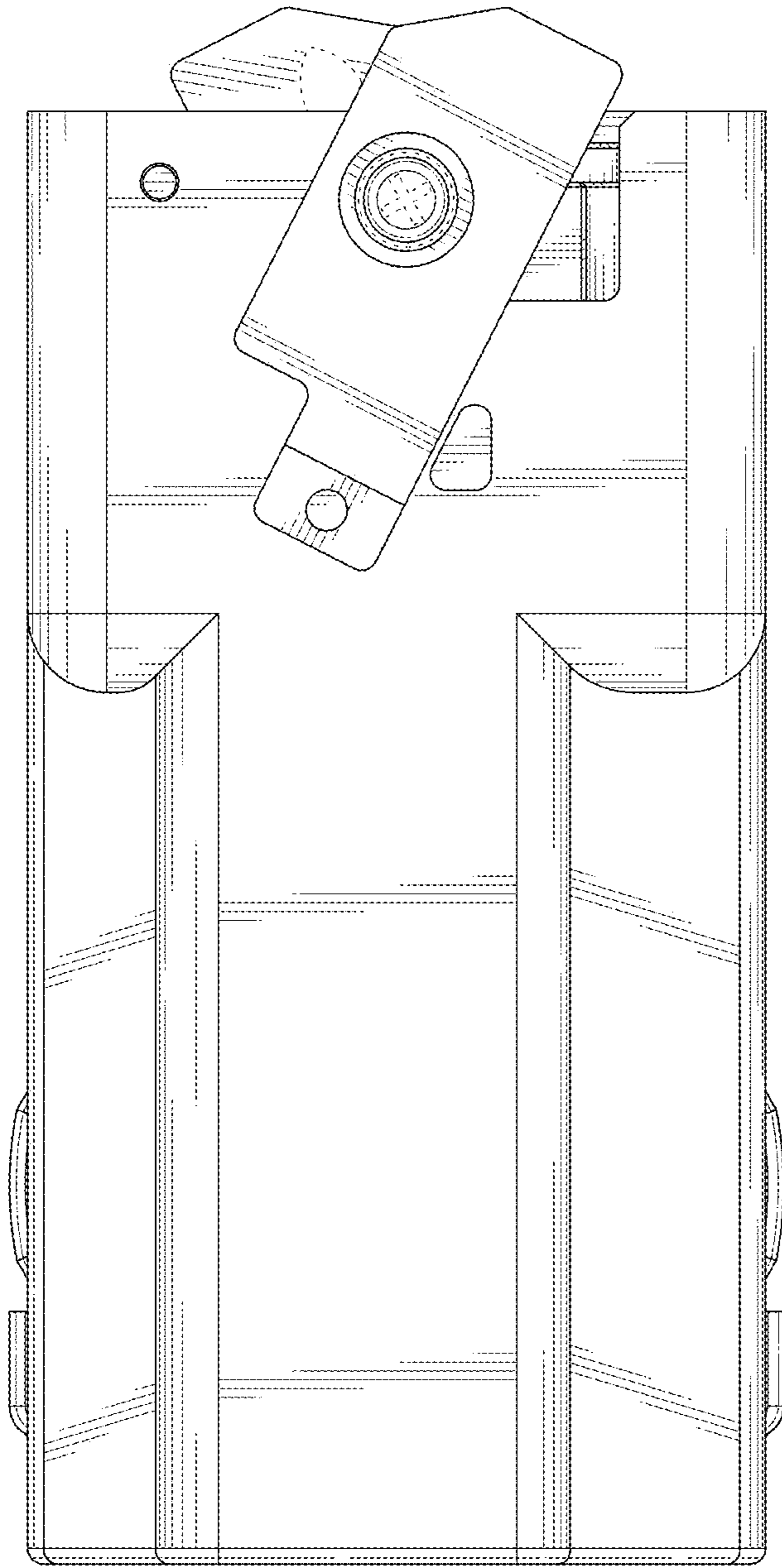


FIG. 4

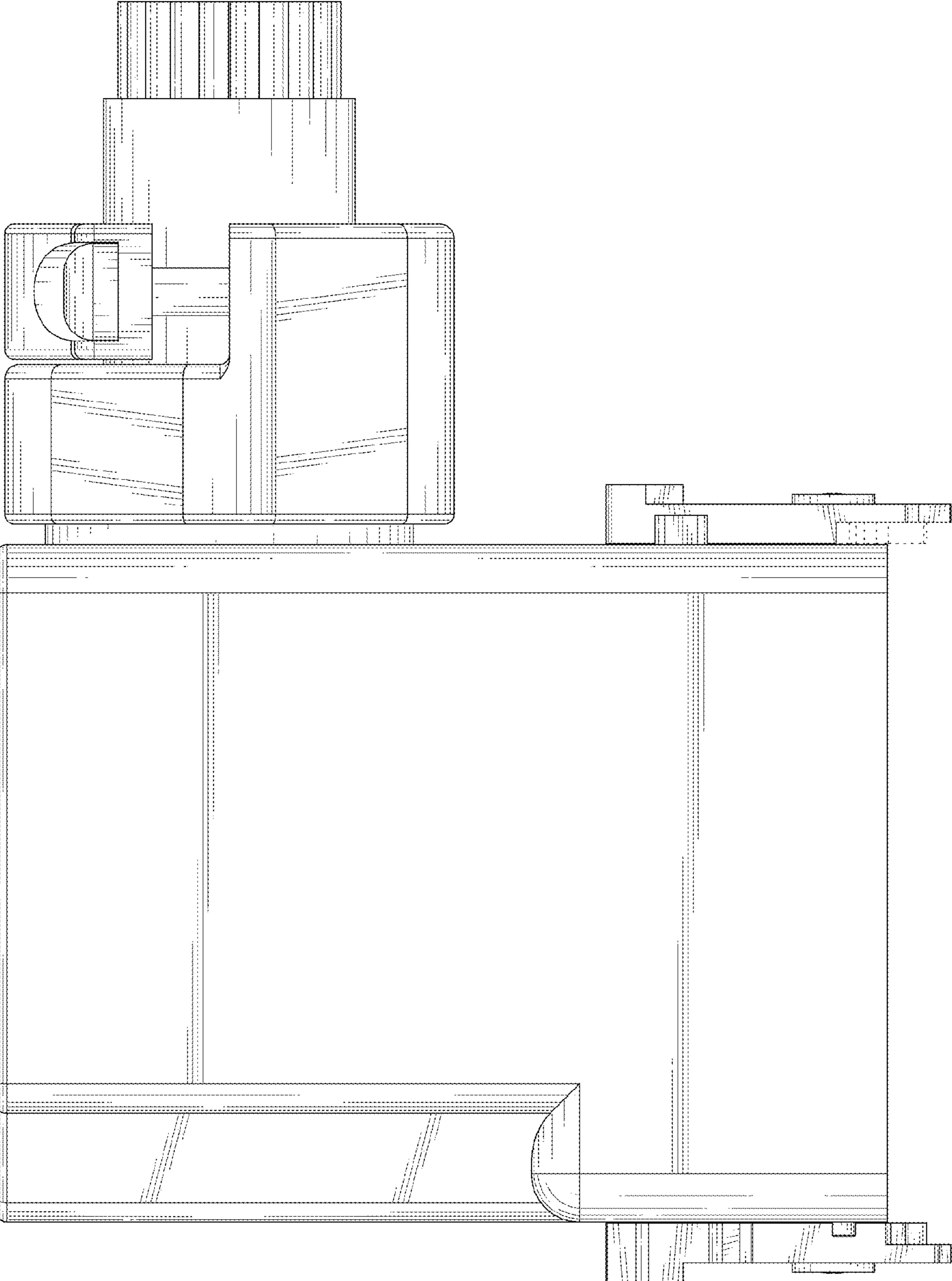


FIG. 5

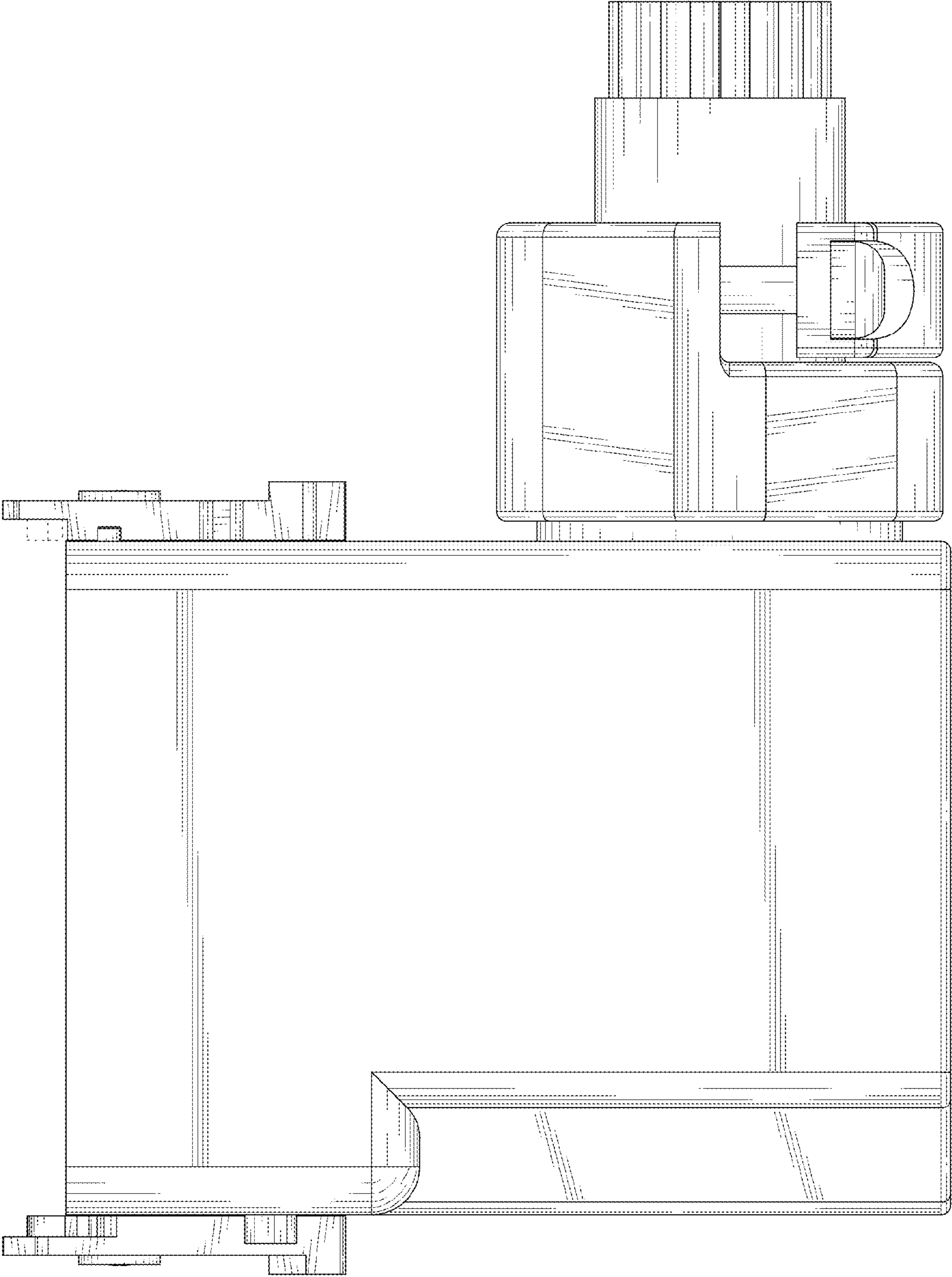


FIG. 6

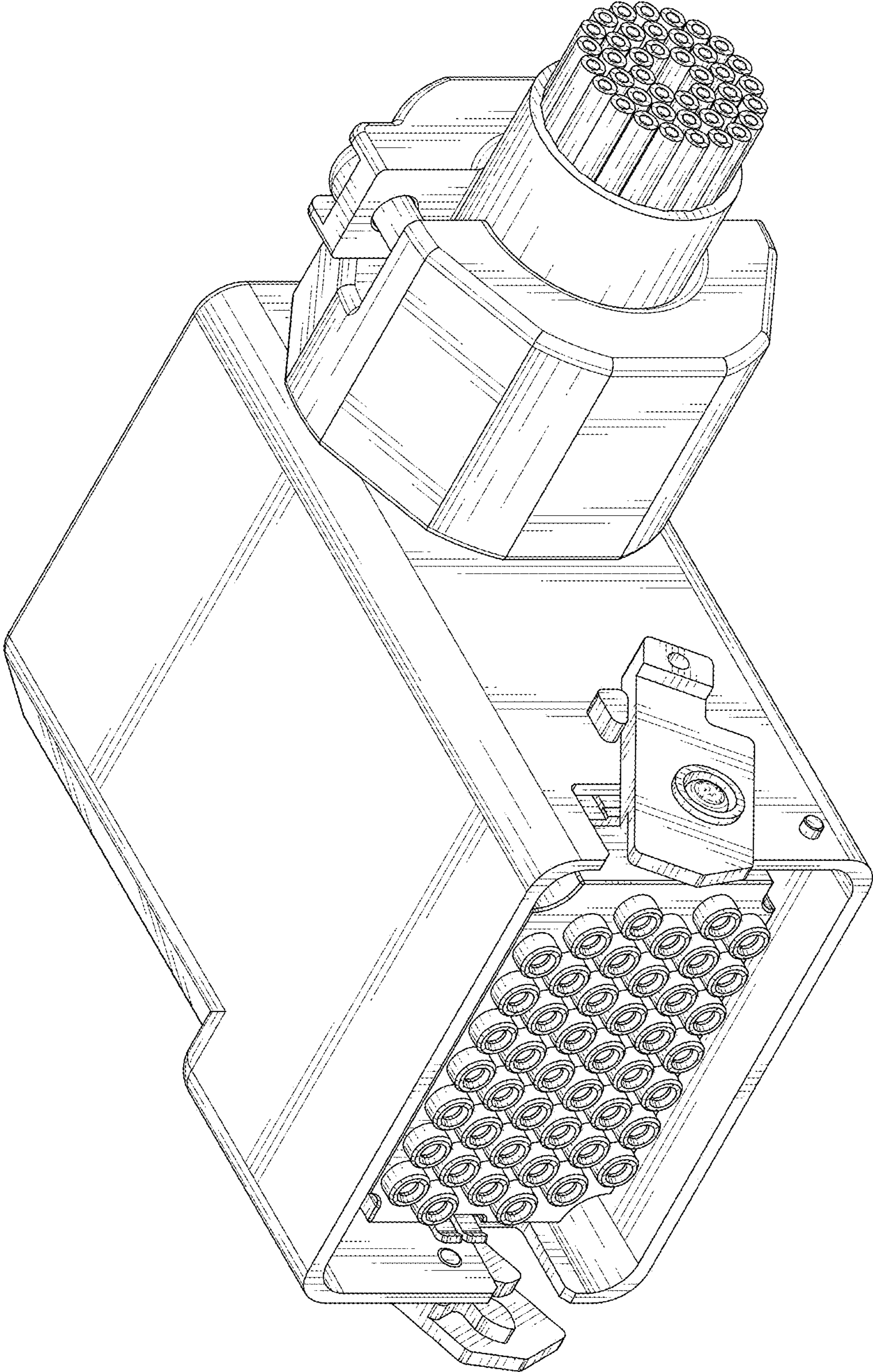


FIG. 7

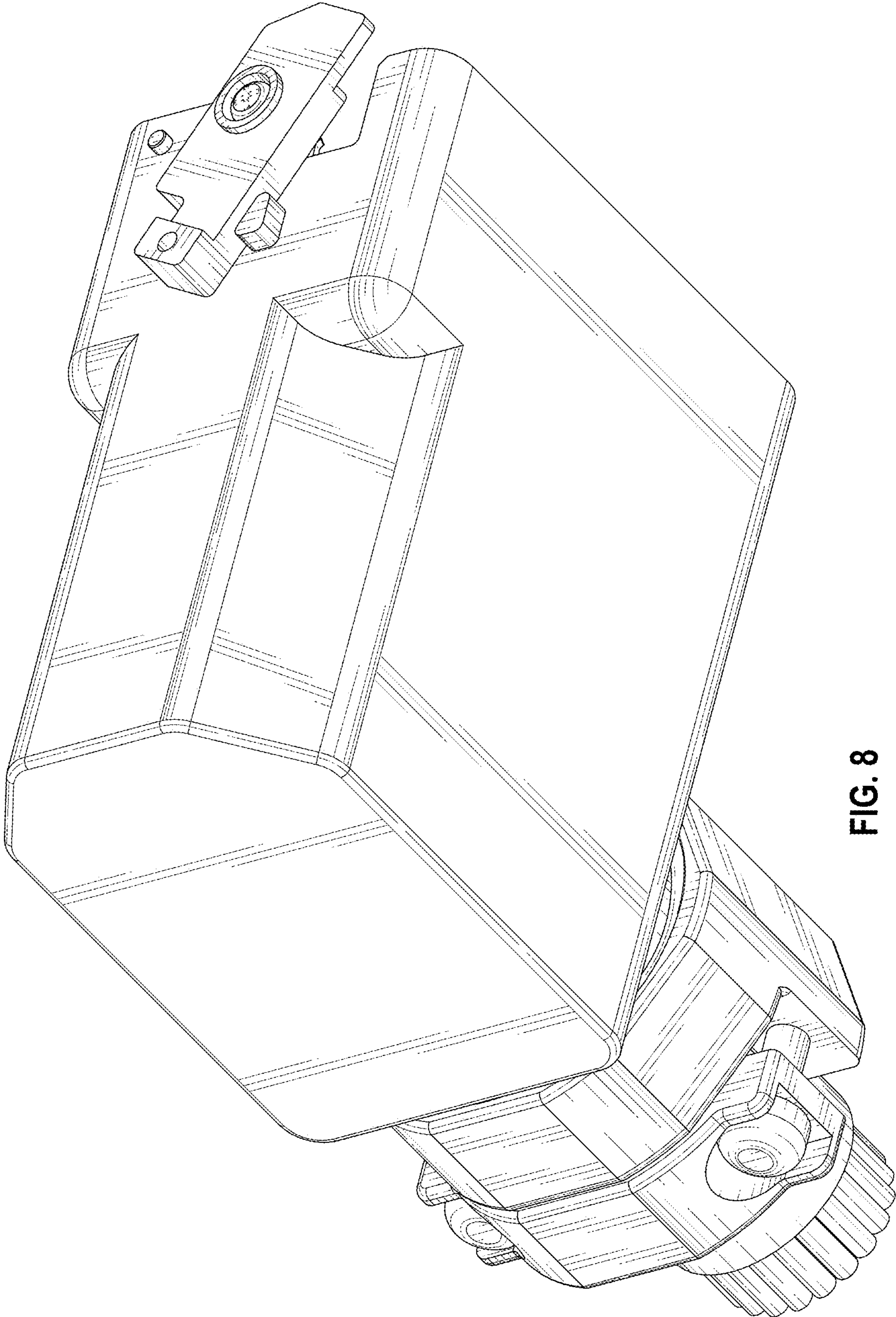


FIG. 8

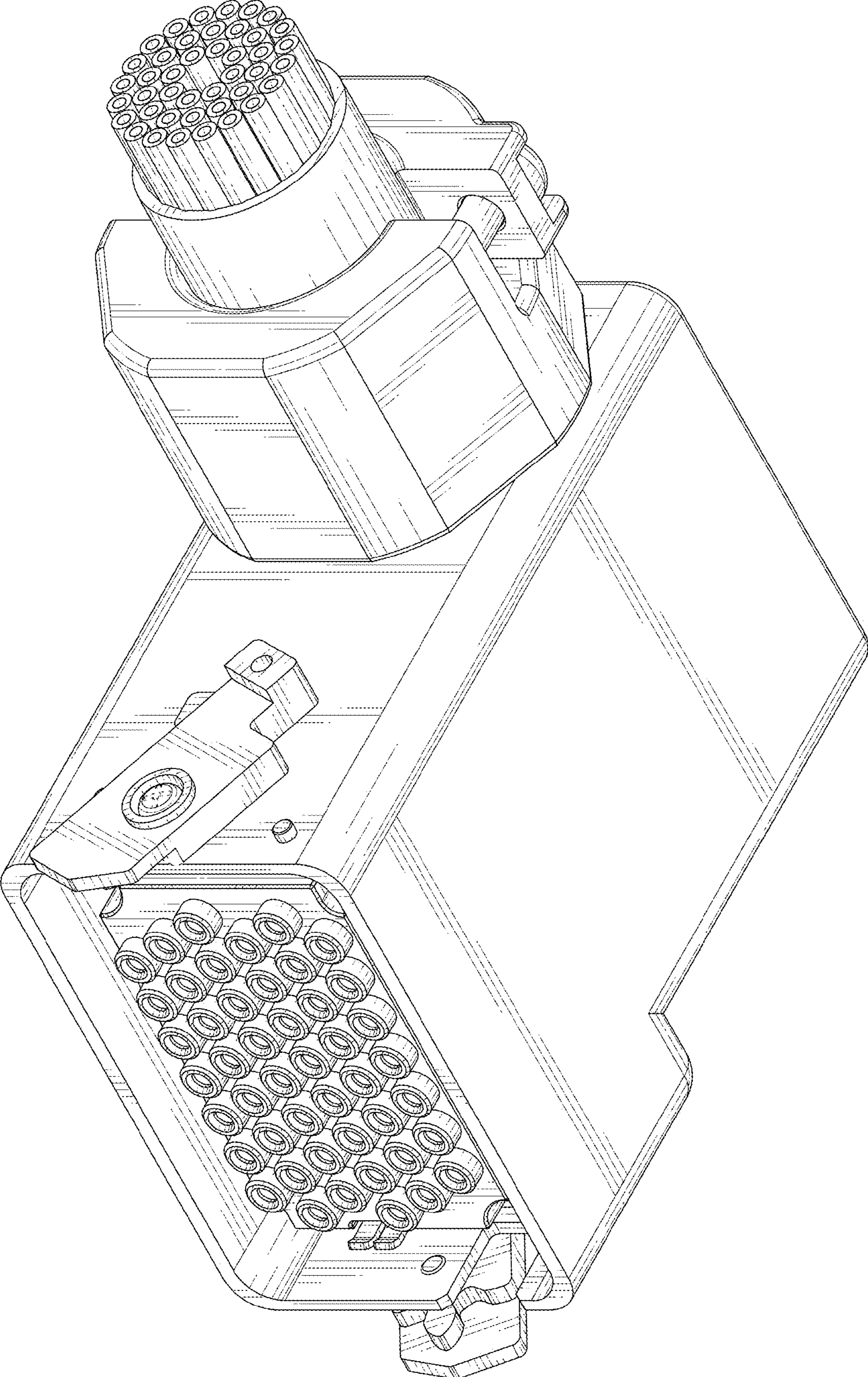


FIG. 9

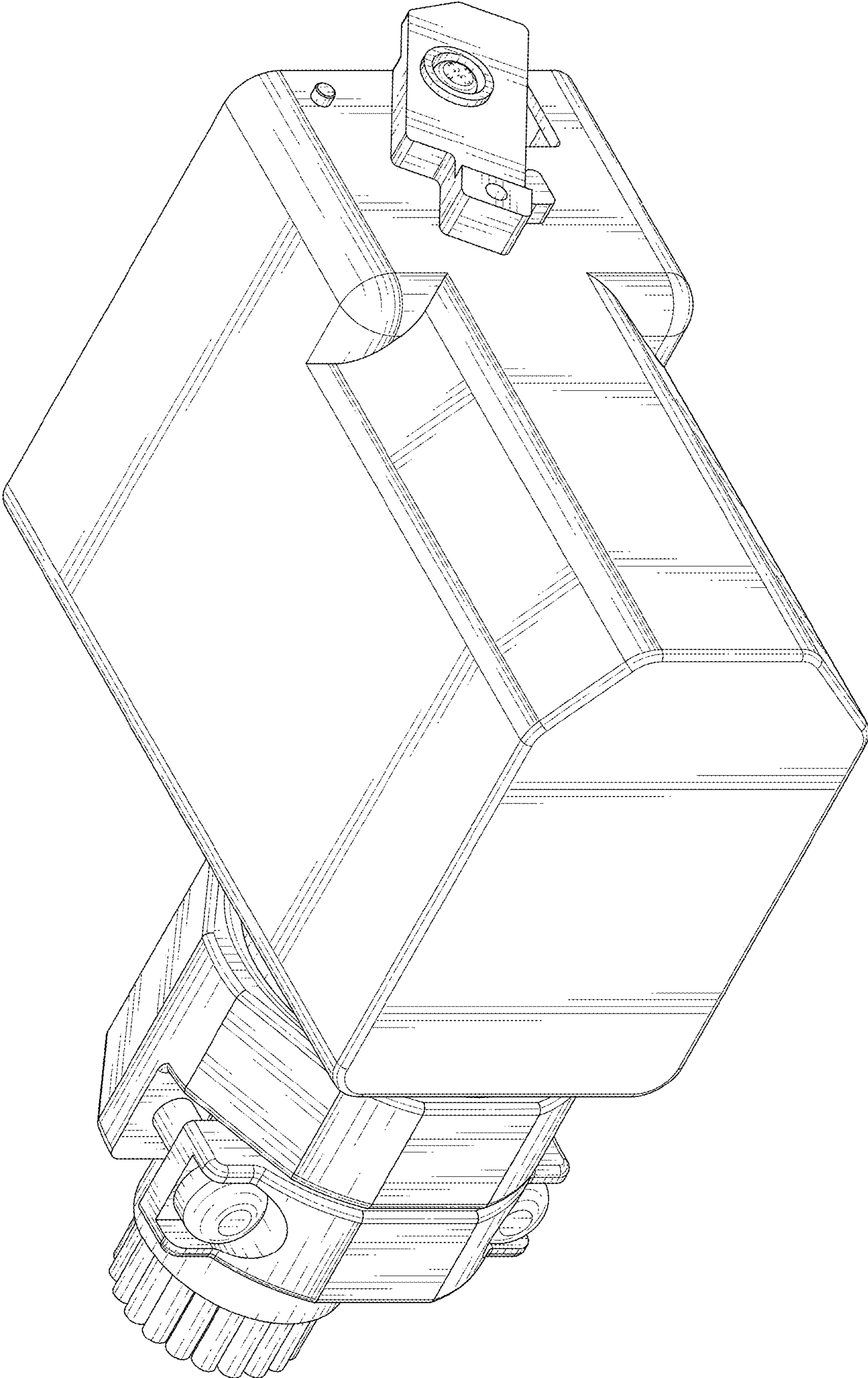


FIG. 10