



US00D976838S

(12) **United States Design Patent**
Oosaka et al.

(10) **Patent No.:** **US D976,838 S**
(45) **Date of Patent:** **** Jan. 31, 2023**

(54) **CONNECTOR**

(71) Applicant: **Japan Aviation Electronics Industry, Limited**, Tokyo (JP)

(72) Inventors: **Junji Oosaka**, Tokyo (JP); **Yohei Yokoyama**, Tokyo (JP)

(73) Assignee: **JAPAN AVIATION ELECTRONICS INDUSTRY, LIMITED**, Tokyo (JP)

(**) Term: **15 Years**

(21) Appl. No.: **29/769,834**

(22) Filed: **Feb. 8, 2021**

(30) **Foreign Application Priority Data**

Sep. 30, 2020 (JP) 2020-020954 D

(51) **LOC (14) Cl.** **13-03**

(52) **U.S. Cl.**
USPC **D13/147; D13/133**

(58) **Field of Classification Search**
USPC D13/133, 146-147, 149, 154, 184, 199
CPC H01R 12/52; H01R 12/707; H01R 12/716;
H01R 13/506; H01R 13/6271; H01R
13/6582
See application file for complete search history.

(56) **References Cited**

U.S. PATENT DOCUMENTS

D696,201 S *	12/2013	Takenaga	D13/147
D870,674 S *	12/2019	Ashibu	D13/147
D871,345 S *	12/2019	Ashibu	D13/147
D908,635 S *	1/2021	Takenaga	D13/147
D908,636 S *	1/2021	Takenaga	D13/147
D922,959 S *	6/2021	Oosaka	D13/147
D923,580 S *	6/2021	Oosaka	D13/147

D923,582 S *	6/2021	Oosaka	D13/147
D952,565 S *	5/2022	Oosaka	D13/133
2021/0359441 A1 *	11/2021	Oosaka	H01R 13/6271
2021/0359456 A1 *	11/2021	Oosaka	H01R 13/506
2021/0359463 A1 *	11/2021	Oosaka	H01R 13/6582
2021/0359471 A1 *	11/2021	Oosaka	H01R 12/716

* cited by examiner

Primary Examiner — Shawn T Gingrich

Assistant Examiner — Bryan N. Melvin

(74) *Attorney, Agent, or Firm* — Manabu Kanesaka

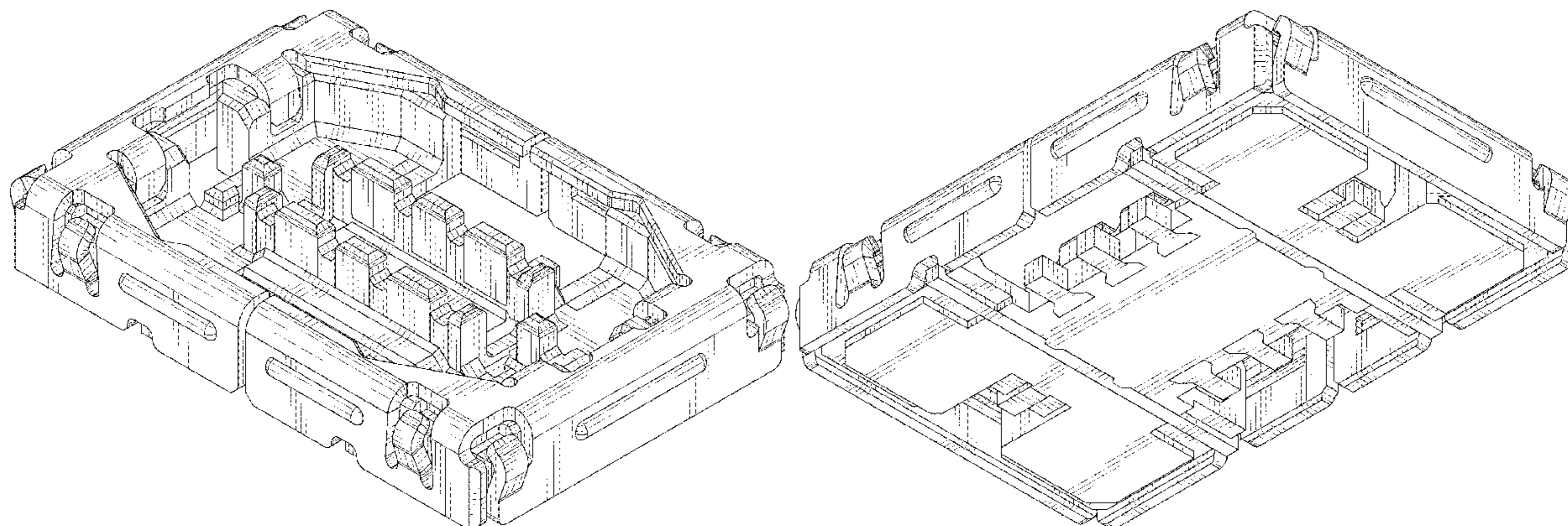
(57) **CLAIM**

The ornamental design for a connector, as shown and described.

DESCRIPTION

FIG. 1 is a front elevational view of a connector showing our new design;
 FIG. 2 is a rear elevational view thereof;
 FIG. 3 is a right side elevational view thereof;
 FIG. 4 is a left side elevational view thereof;
 FIG. 5 is a top plan view thereof;
 FIG. 6 is a bottom plan view thereof;
 FIG. 7 is a perspective view showing a front, top and right side thereof;
 FIG. 8 is a perspective view showing a rear, bottom and left side thereof;
 FIG. 9 is a perspective view showing a front, right and bottom side thereof; and,
 FIG. 10 is a perspective view showing a rear, left and top side thereof.
 The broken line showing of the connector is for the purpose of illustrating portions of the article and forms no part of the claimed design.

1 Claim, 5 Drawing Sheets



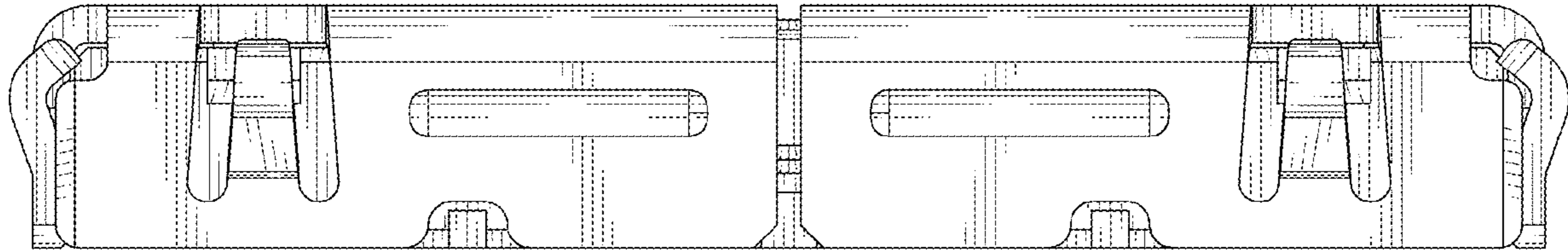


FIG. 1

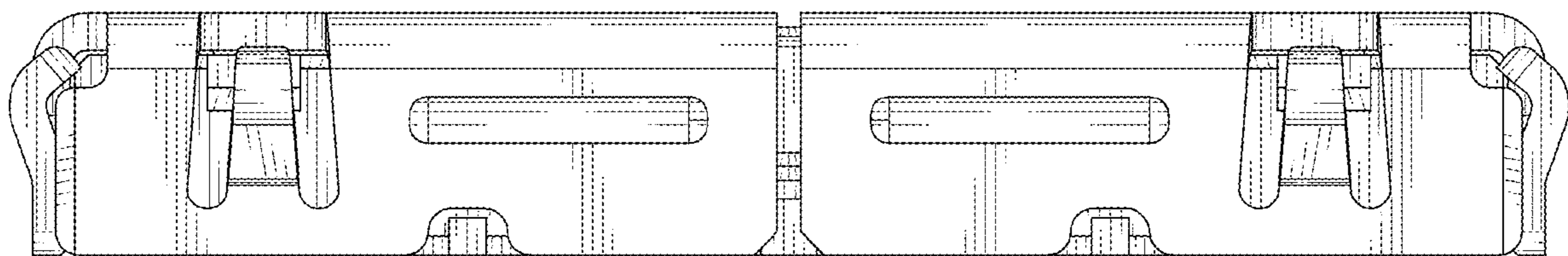


FIG. 2

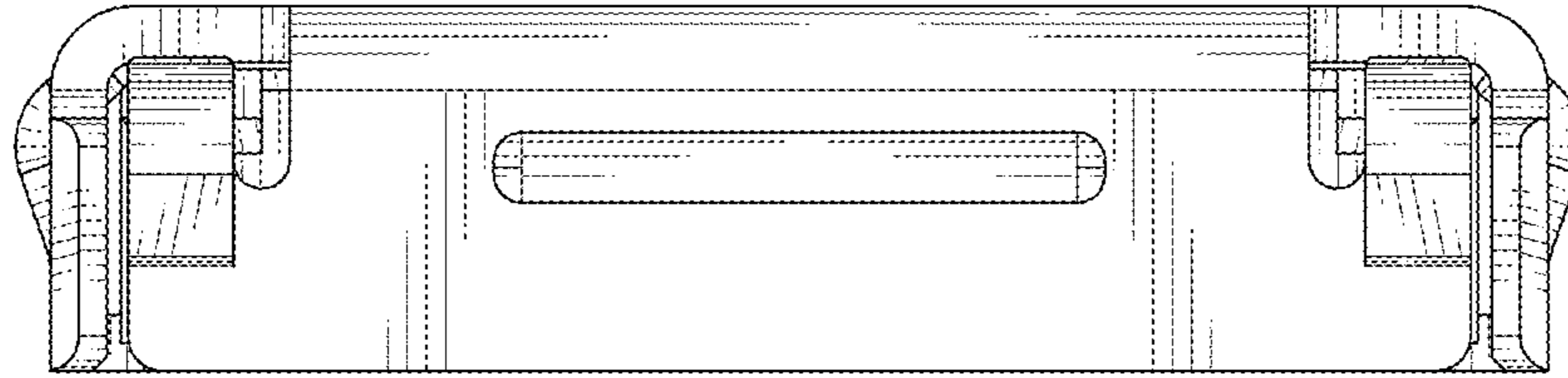


FIG. 3

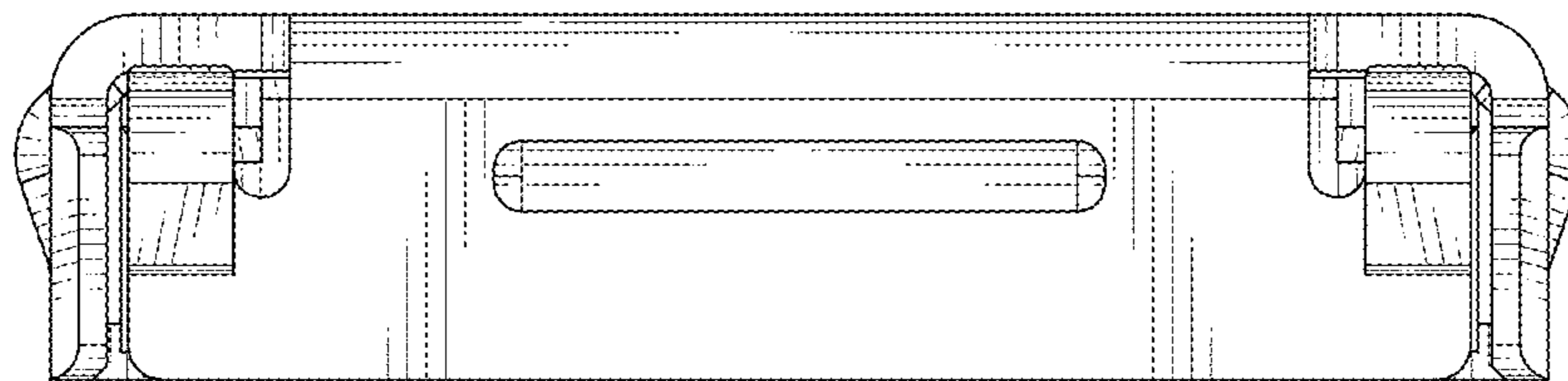


FIG. 4

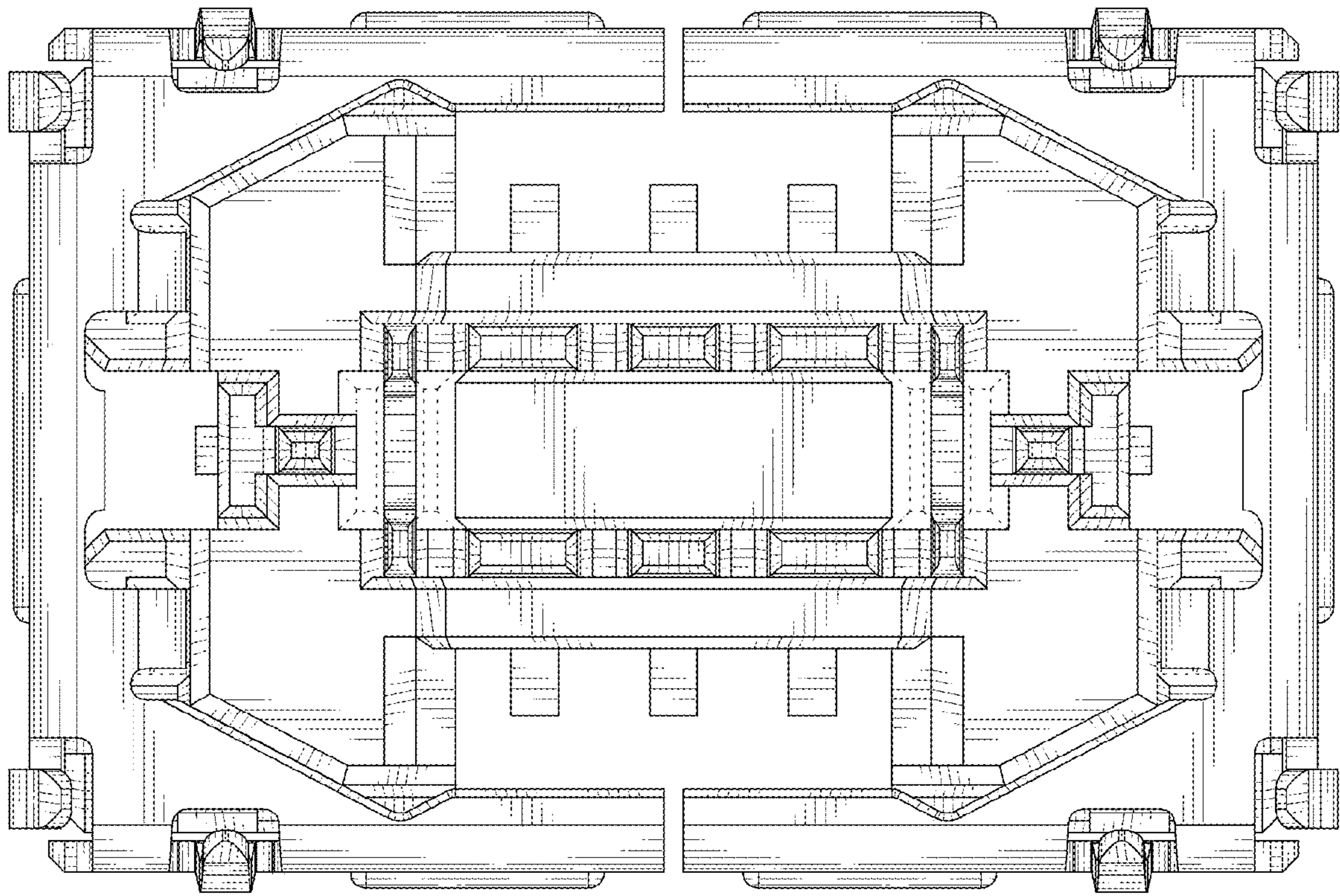


FIG. 5

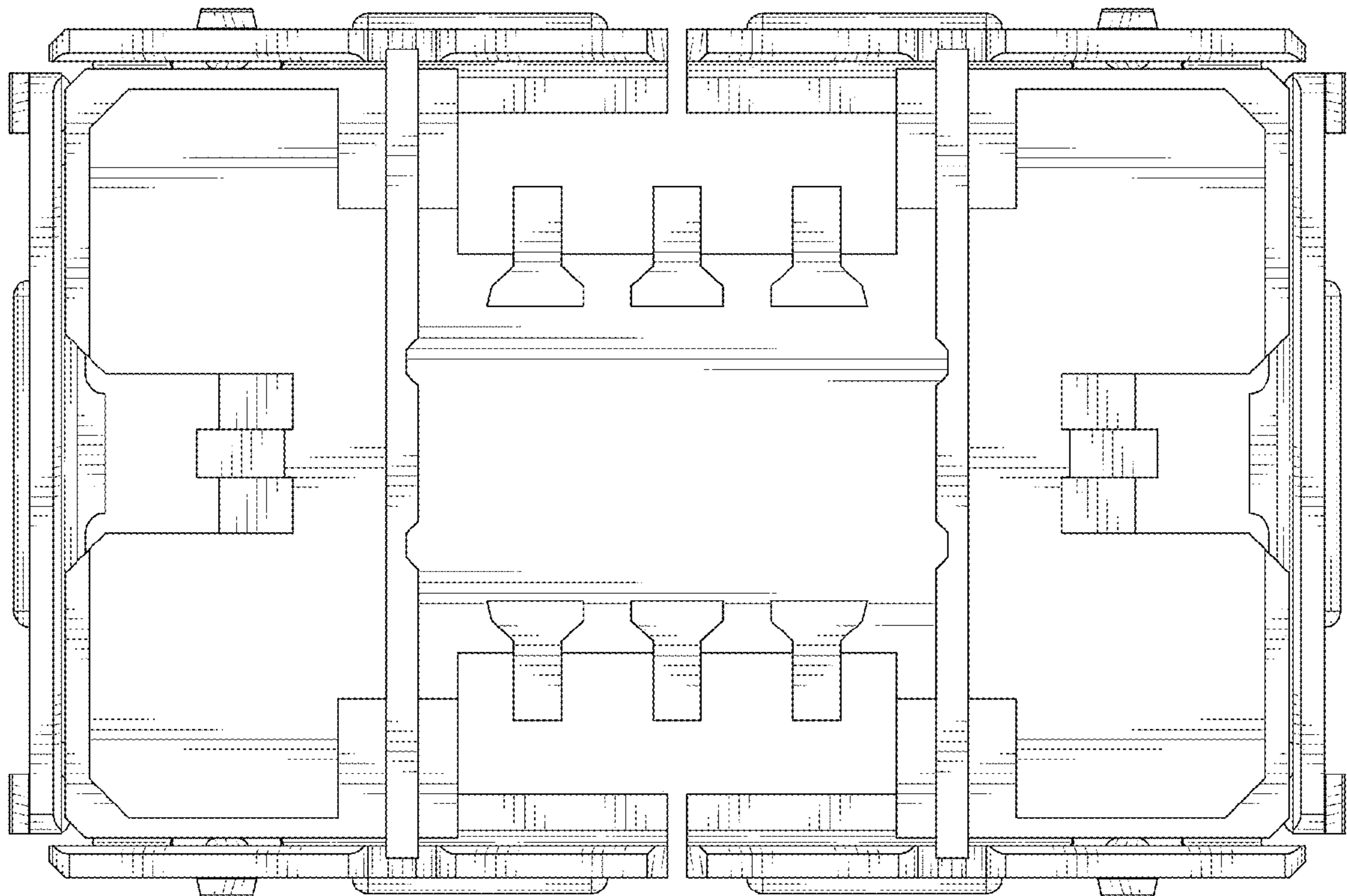


FIG. 6

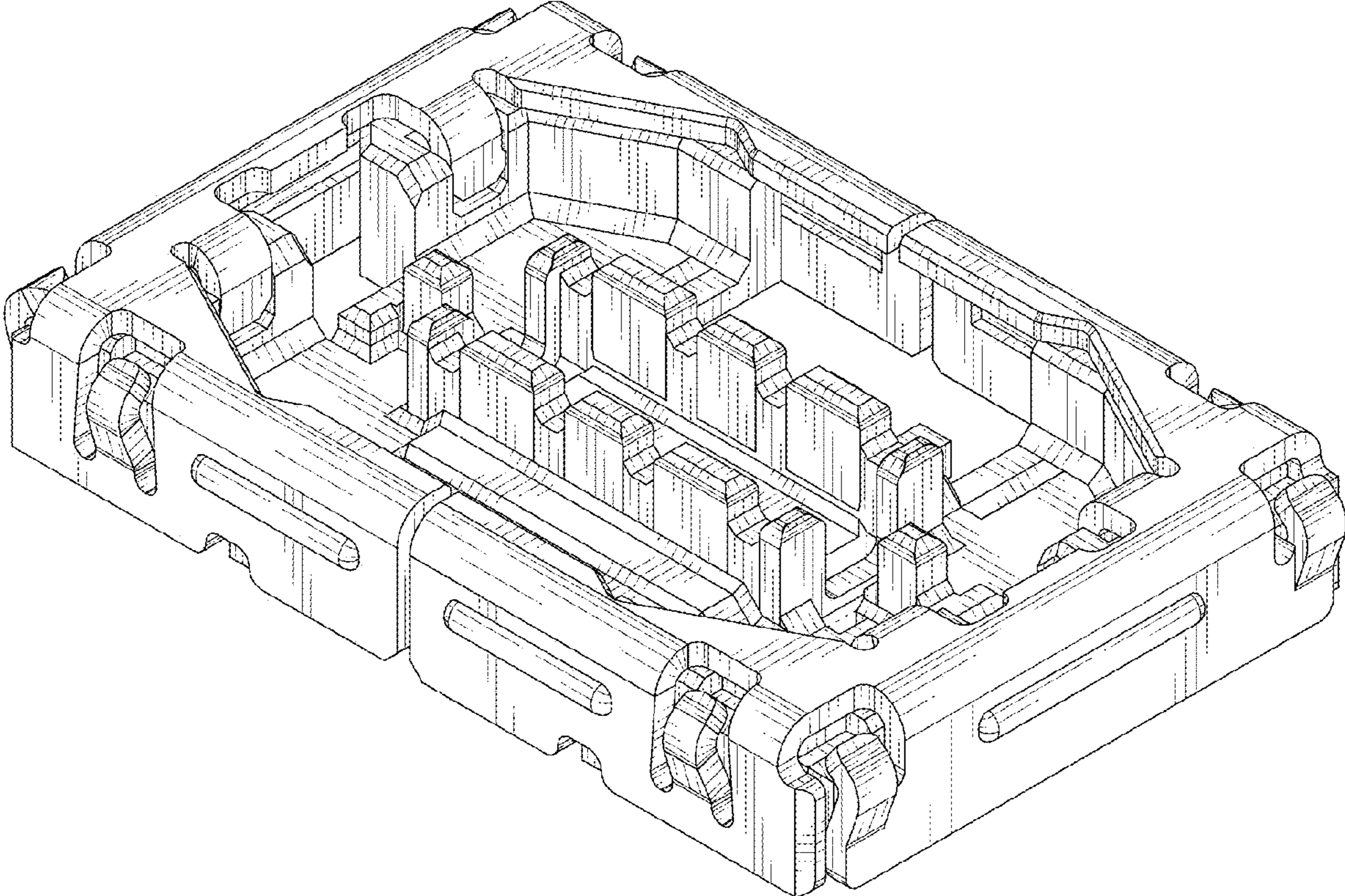


FIG. 7

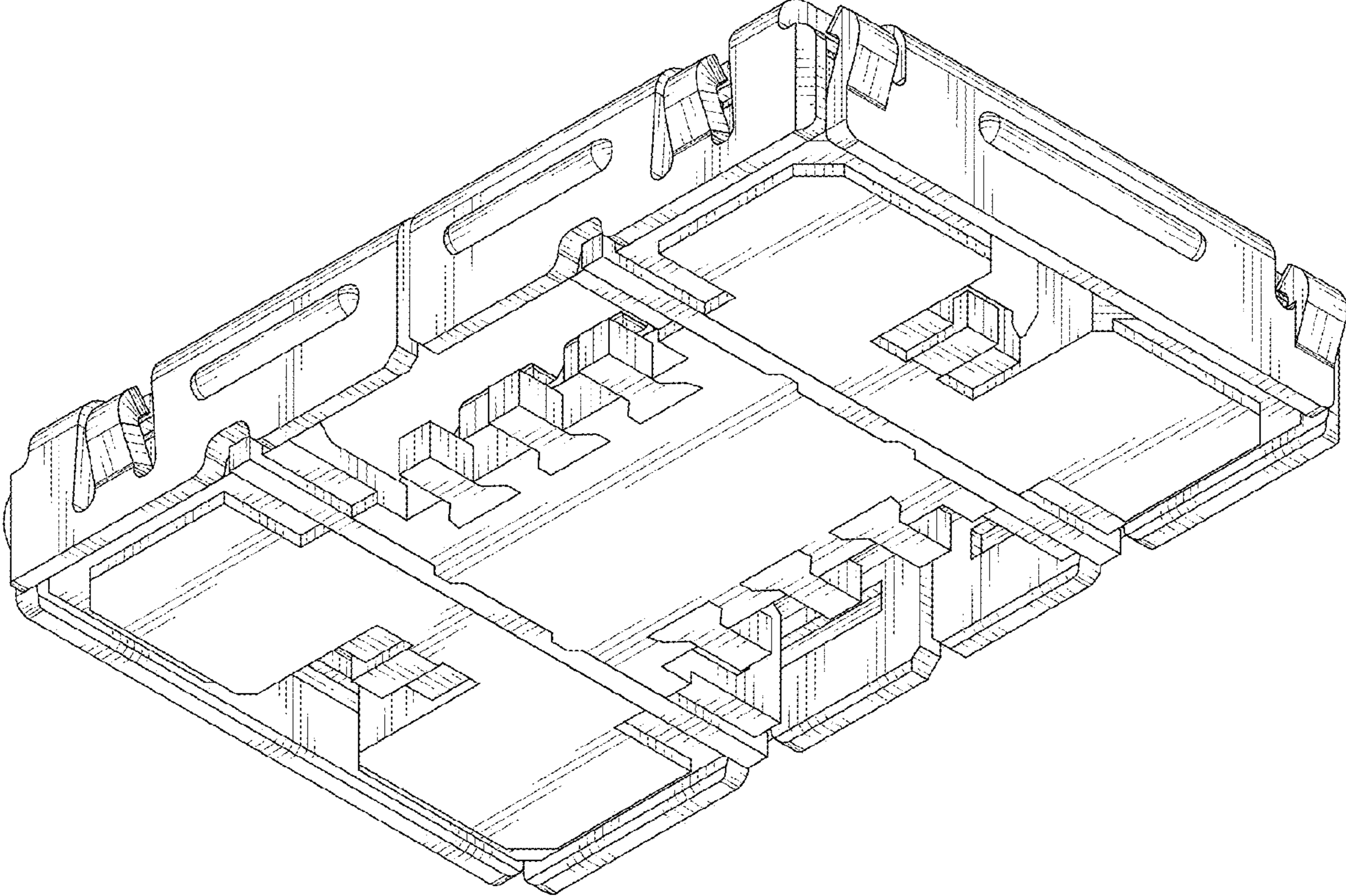


FIG. 8

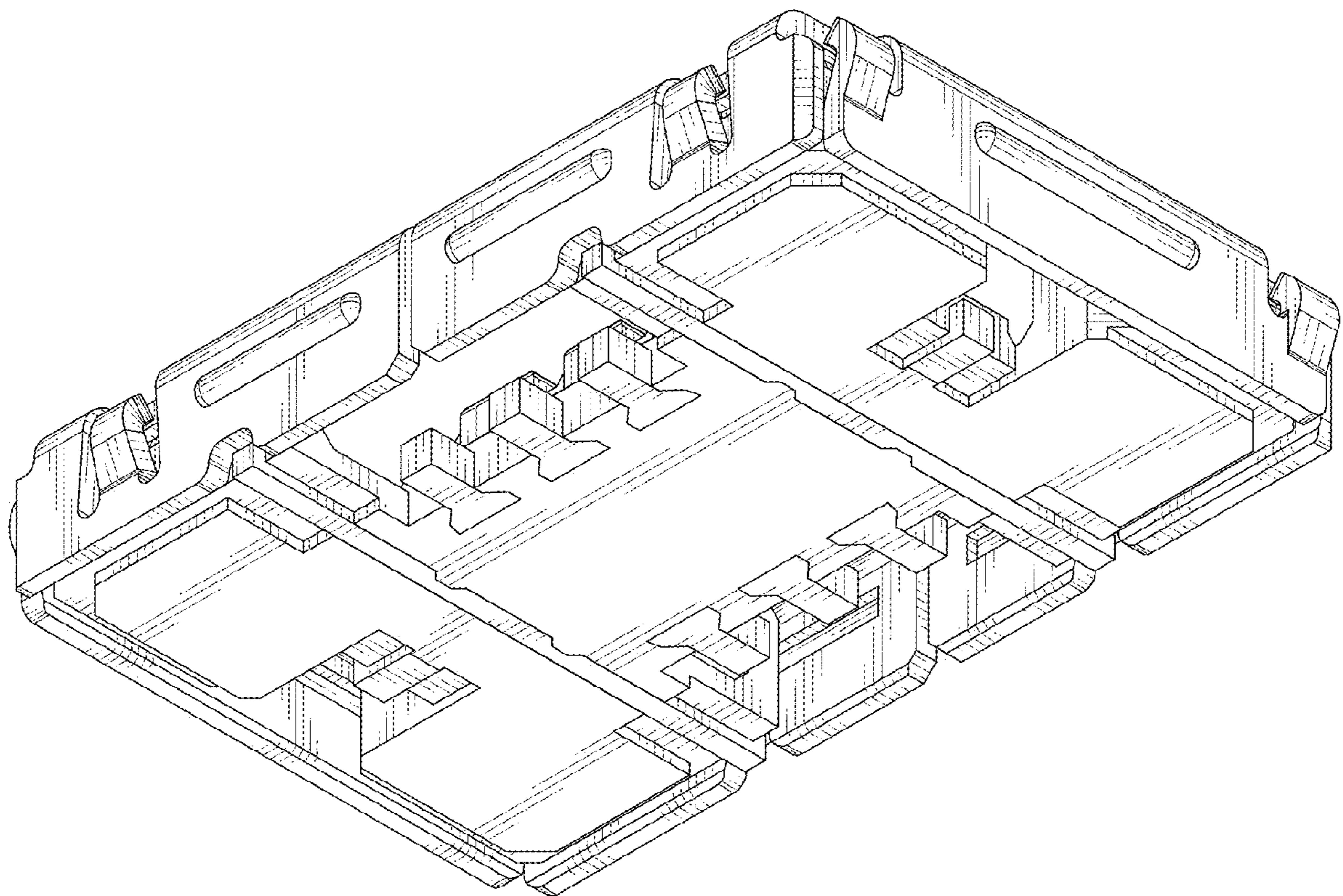


FIG. 9

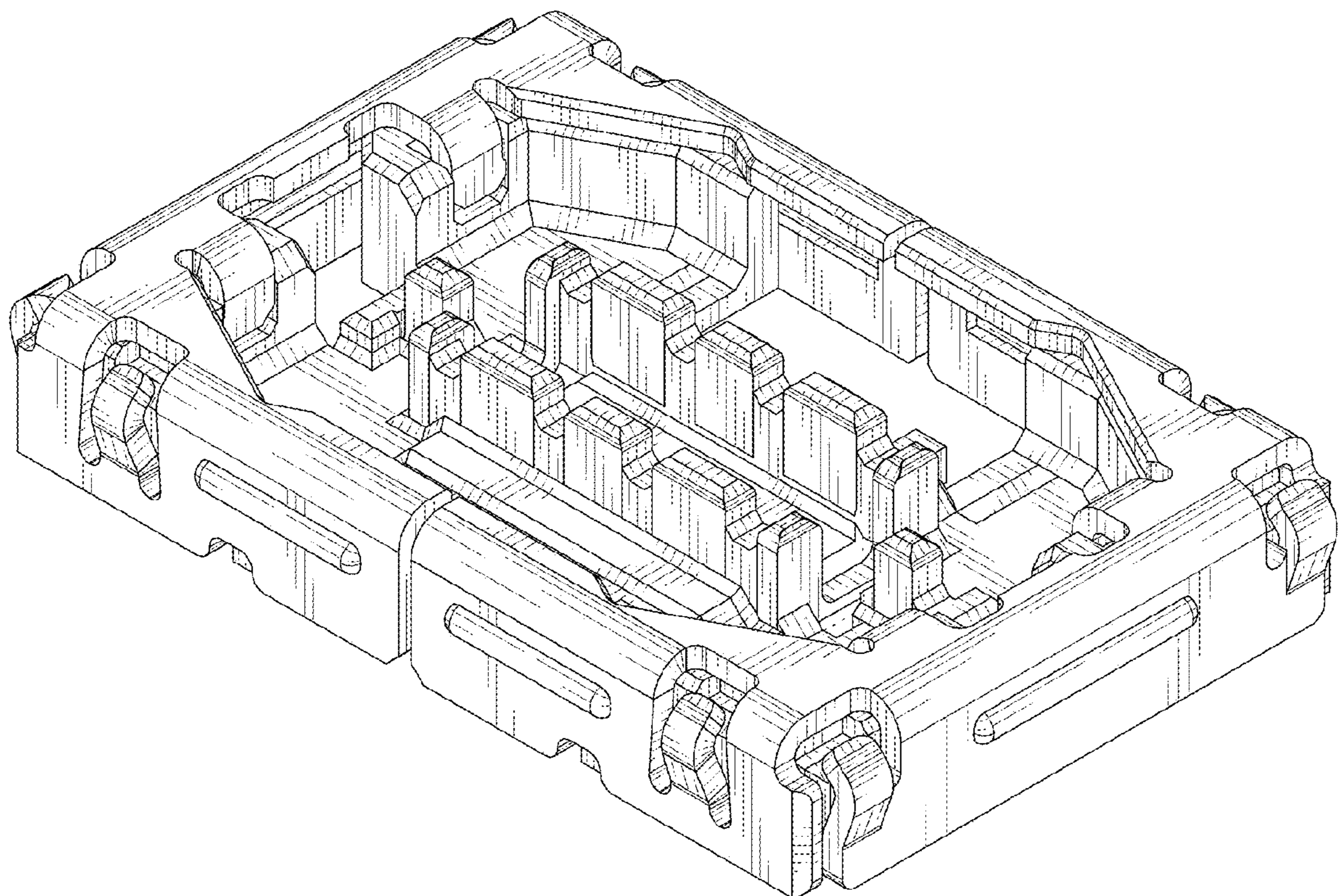


FIG. 10