



US00D976837S

(12) **United States Design Patent**  
**Komoto**

(10) **Patent No.:** **US D976,837 S**  
(45) **Date of Patent:** **\*\* Jan. 31, 2023**

(54) **CONNECTOR**

(71) Applicant: **Japan Aviation Electronics Industry, Limited, Tokyo (JP)**

(72) Inventor: **Tetsuya Komoto, Tokyo (JP)**

(73) Assignee: **JAPAN AVIATION ELECTRONICS INDUSTRY, LIMITED, Tokyo (JP)**

(\*\*) Term: **15 Years**

(21) Appl. No.: **29/769,832**

(22) Filed: **Feb. 8, 2021**

(30) **Foreign Application Priority Data**

Sep. 29, 2020 (JP) ..... 2020-020690 D

(51) **LOC (14) Cl.** ..... **13-03**

(52) **U.S. Cl.**  
USPC ..... **D13/147; D13/133**

(58) **Field of Classification Search**  
USPC ..... D10/78, 80; D13/120, 123, 133, 146, D13/147, 152, 154, 156, 158, 160, 162, D13/162.1, 173, 177, 184, 199  
CPC ..... H01R 4/64; H01R 4/643; H01R 13/02; H01R 13/20; H01R 13/46; H01R 13/74; H01R 13/582; H01R 13/5816; H01R 4/48; H01R 4/60; H01R 4/183; H01R 12/59; H01R 12/714; H01R 12/778; H01R 39/06; H01R 33/205; A41D 1/002; A41D 1/005

See application file for complete search history.

(56) **References Cited**

**U.S. PATENT DOCUMENTS**

D393,244 S \* 4/1998 Donnelly ..... D13/147  
D576,556 S \* 9/2008 Lee ..... D13/147  
D724,977 S \* 3/2015 Browning ..... D10/80  
9,819,122 B1 \* 11/2017 Lewallen ..... A41D 1/005

D853,969 S \* 7/2019 Huang ..... D13/147  
D855,572 S \* 8/2019 Komoto ..... D13/147  
D923,499 S \* 6/2021 Lee ..... D10/78  
D935,408 S \* 11/2021 Komoto ..... D13/133  
D939,449 S \* 12/2021 Baldwin ..... D13/152  
D941,776 S \* 1/2022 Omodachi ..... D13/147  
2010/0149767 A1 \* 6/2010 Biesheuvel ..... H01R 4/58  
361/760  
2010/0221928 A1 \* 9/2010 Sato ..... H01R 13/20  
439/74  
2013/0137305 A1 \* 5/2013 Komoto ..... H01R 13/46  
439/626  
2016/0172787 A1 \* 6/2016 Bermel ..... H01R 13/74  
439/374  
2017/0125940 A1 \* 5/2017 Karagozler ..... H01R 39/64  
2018/0085283 A1 \* 3/2018 Rahman ..... A41D 1/005  
2019/0372268 A1 \* 12/2019 Sitbon ..... A41D 1/005  
2020/0022425 A1 \* 1/2020 Hashiguchi ..... A41D 1/005

(Continued)

*Primary Examiner* — Shawn T Gingrich

*Assistant Examiner* — Bryan N. Melvin

(74) *Attorney, Agent, or Firm* — Manabu Kanesaka

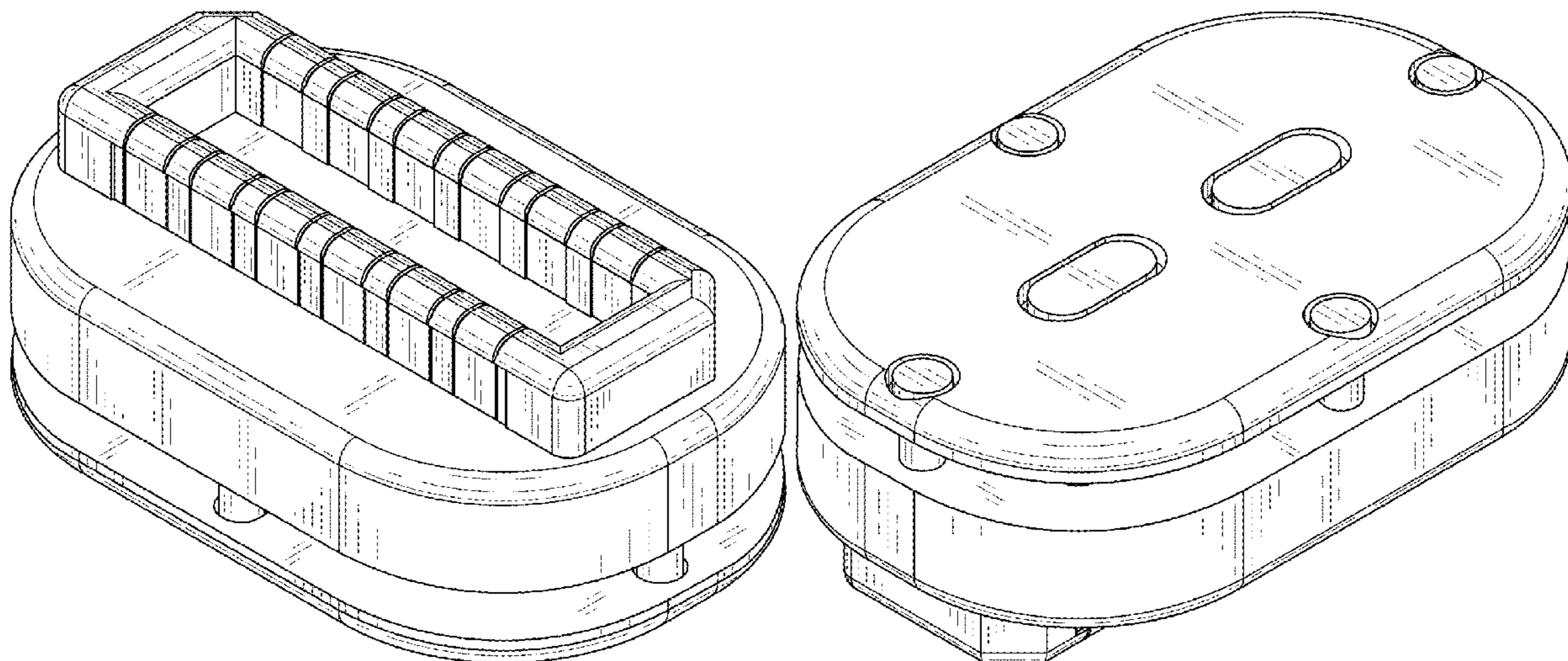
(57) **CLAIM**

The ornamental design for a connector, as shown and described.

**DESCRIPTION**

FIG. 1 is a front elevational view of a connector showing my new design;  
FIG. 2 is a rear elevational view thereof;  
FIG. 3 is a right side elevational view thereof;  
FIG. 4 is a left side elevational view thereof;  
FIG. 5 is a top plan view thereof;  
FIG. 6 is a bottom plan view thereof;  
FIG. 7 is a perspective view showing a front, top and right side thereof; and,  
FIG. 8 is a perspective view showing a rear, bottom and left side thereof.  
The broken lines in the drawings illustrate portions of the connector that form no part of the claimed design.

**1 Claim, 4 Drawing Sheets**



(56)

**References Cited**

U.S. PATENT DOCUMENTS

2020/0028299 A1\* 1/2020 Koyama ..... A41D 1/005  
2022/0158373 A1\* 5/2022 Komoto ..... H01R 12/778

\* cited by examiner

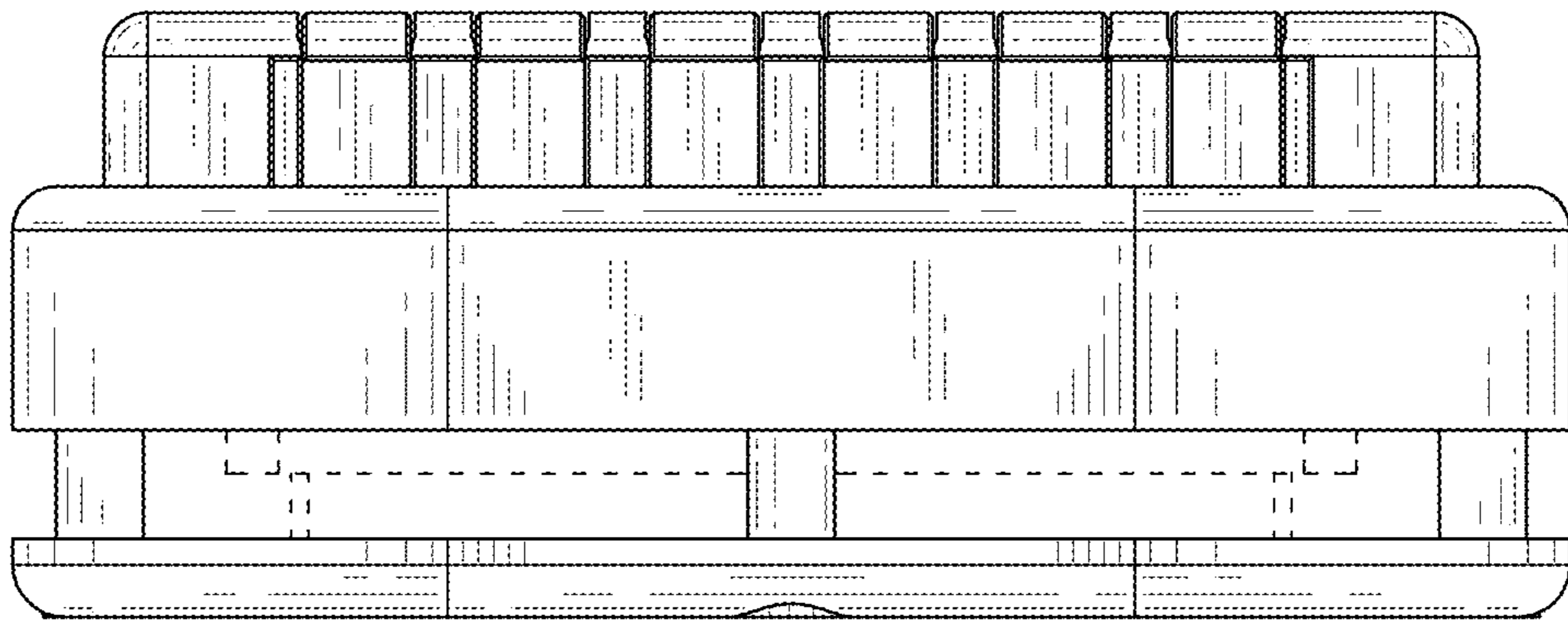


FIG. 1

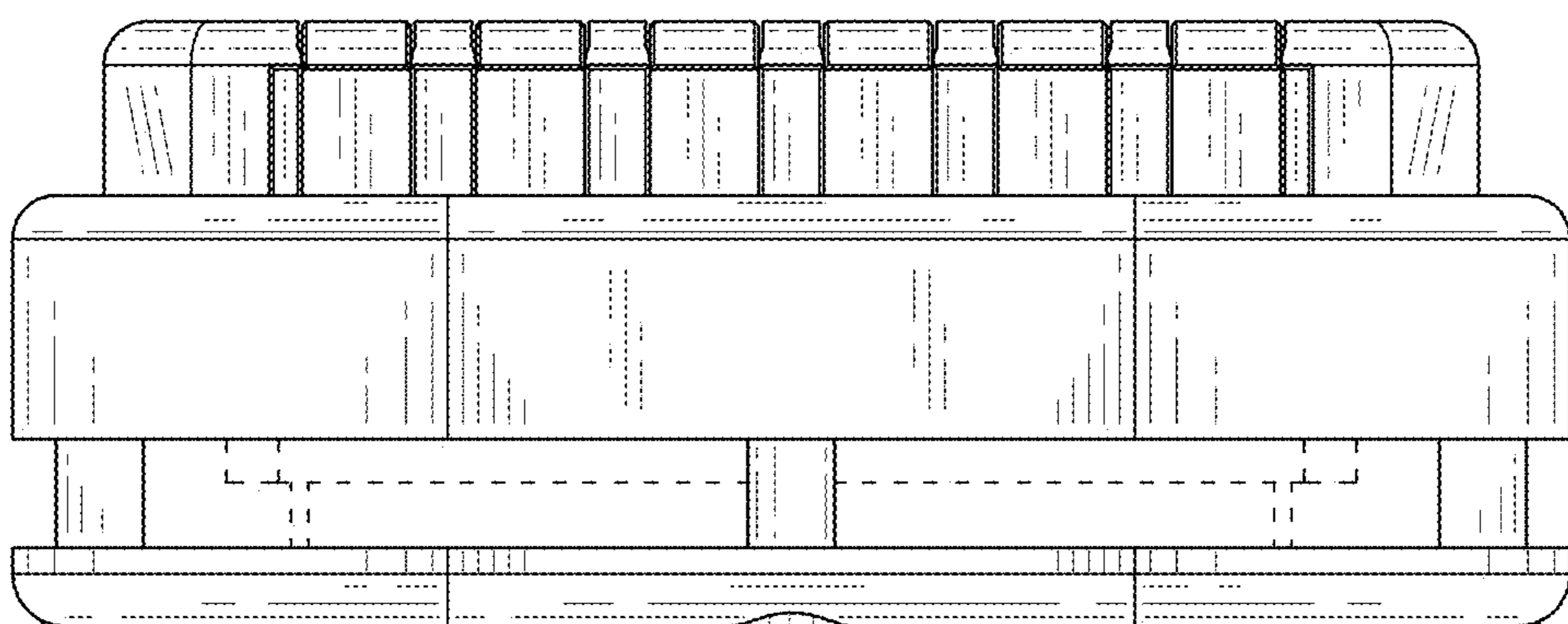


FIG. 2

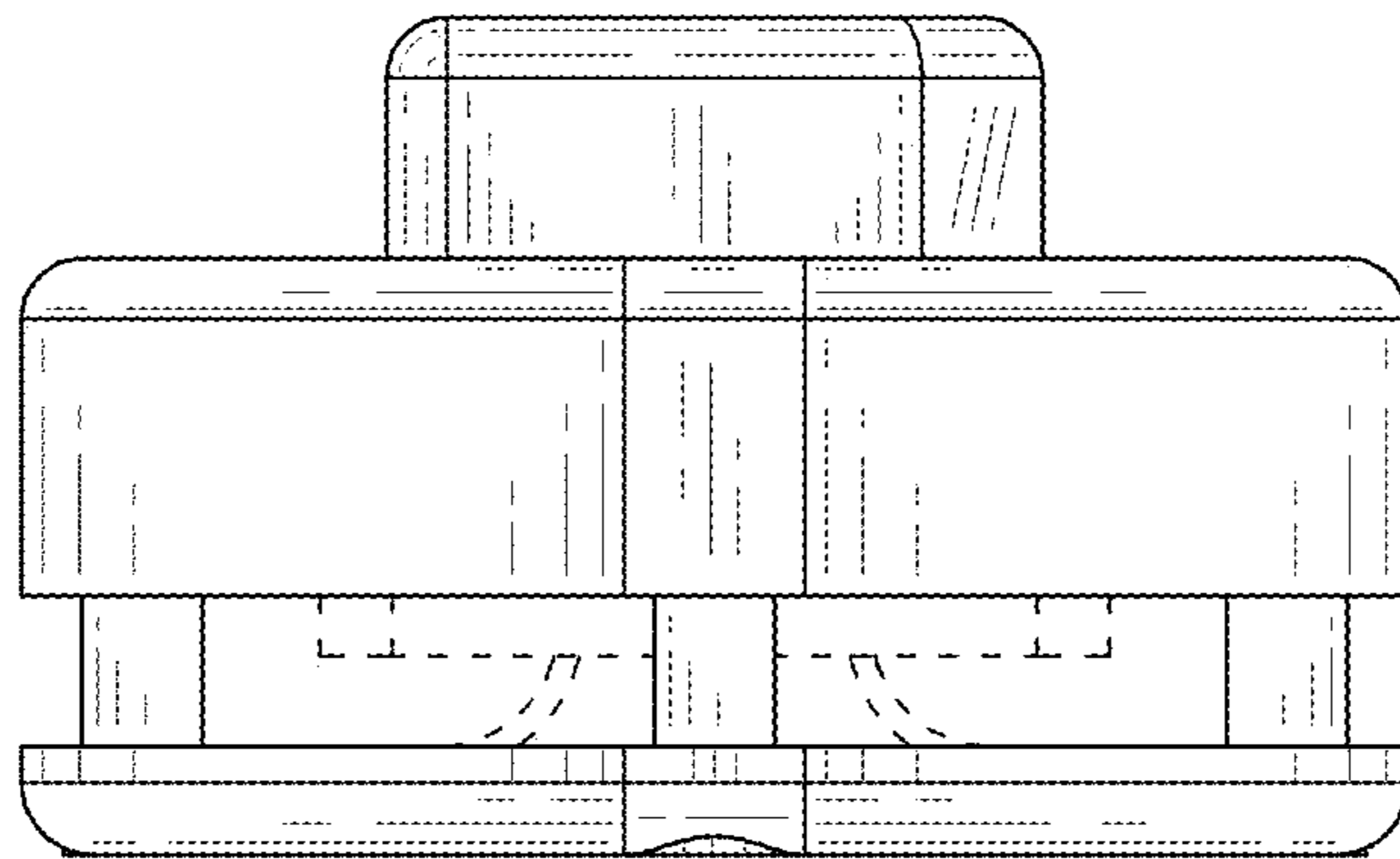


FIG. 3

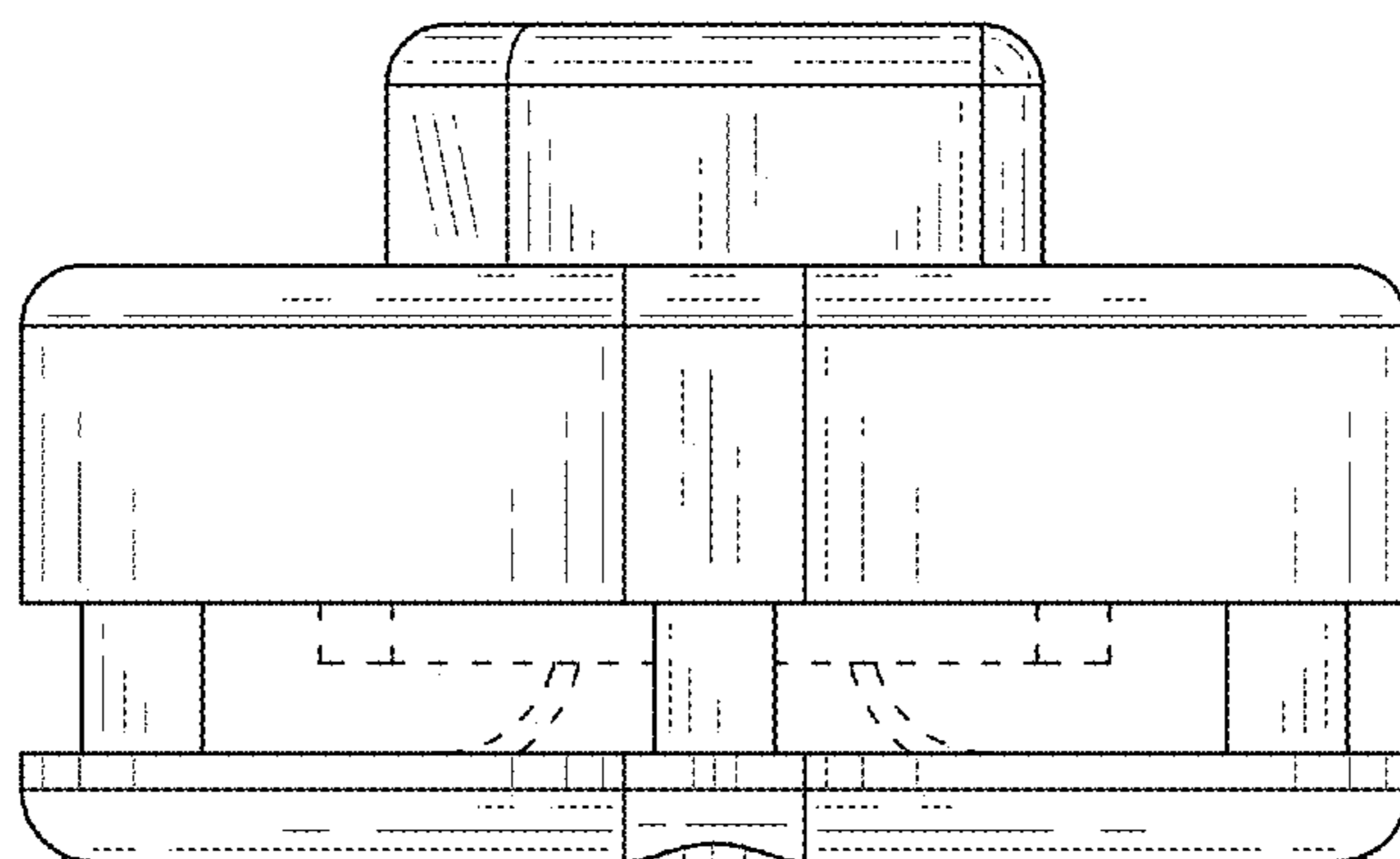


FIG. 4



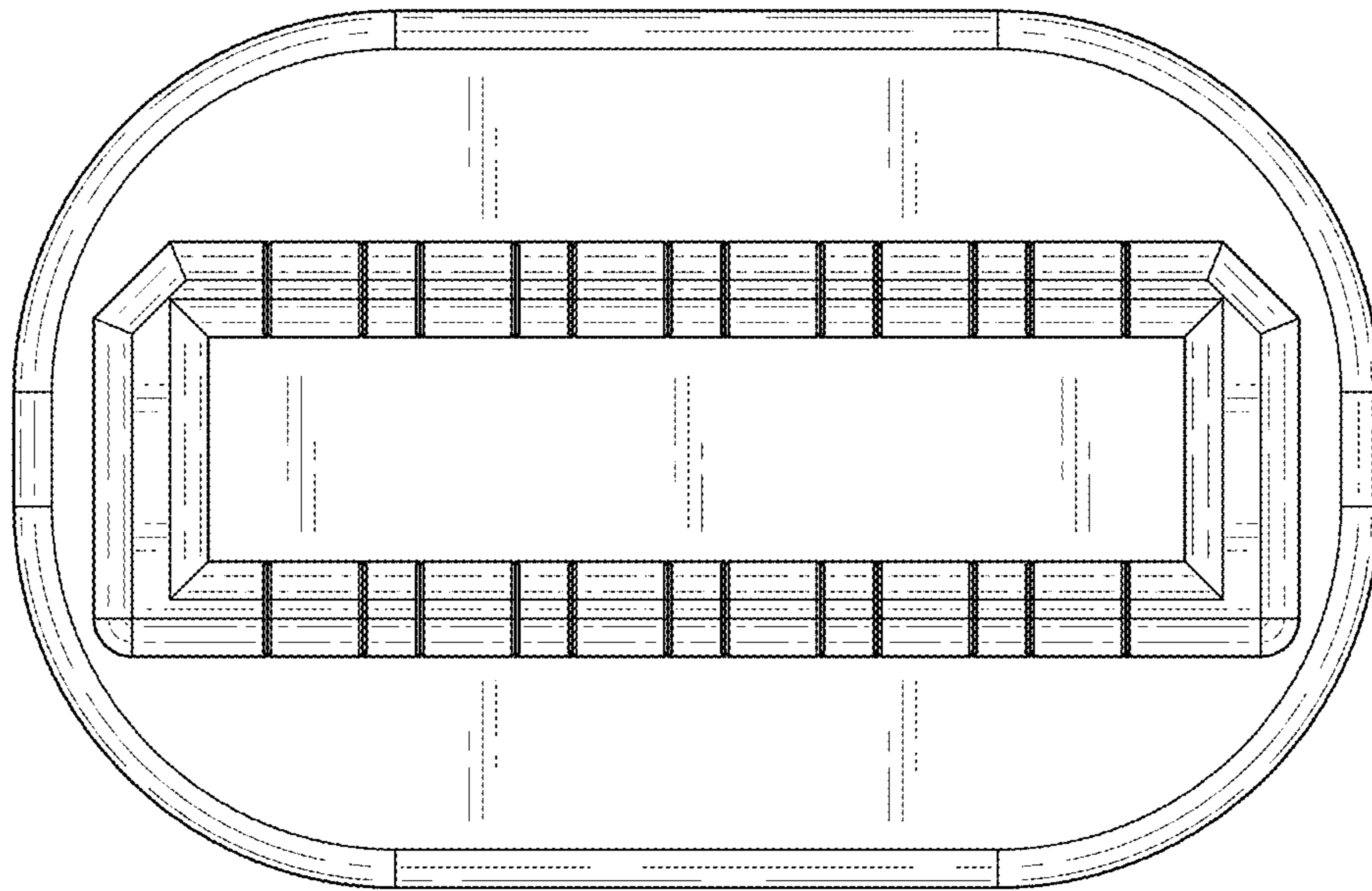


FIG. 5

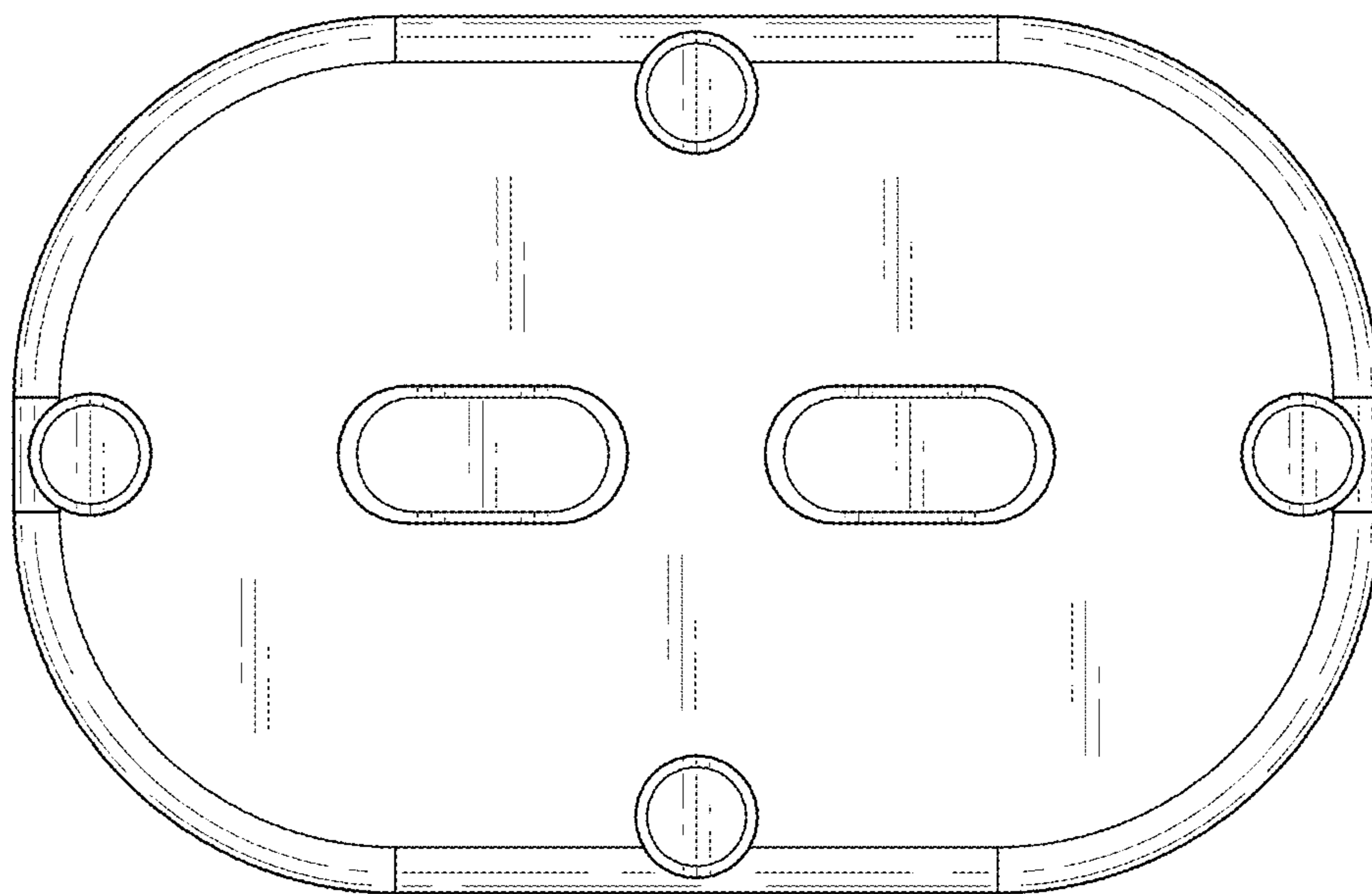


FIG. 6

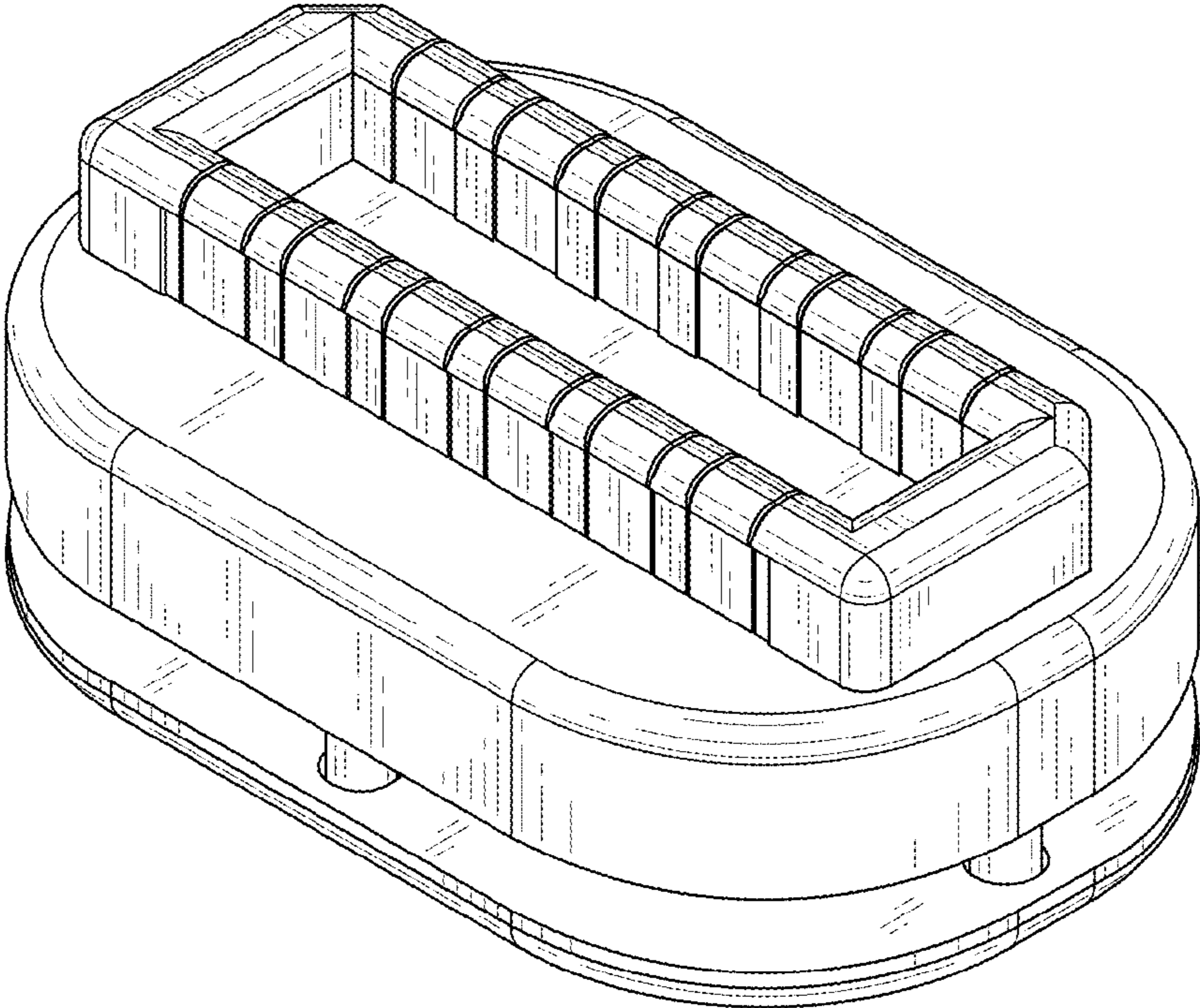


FIG. 7

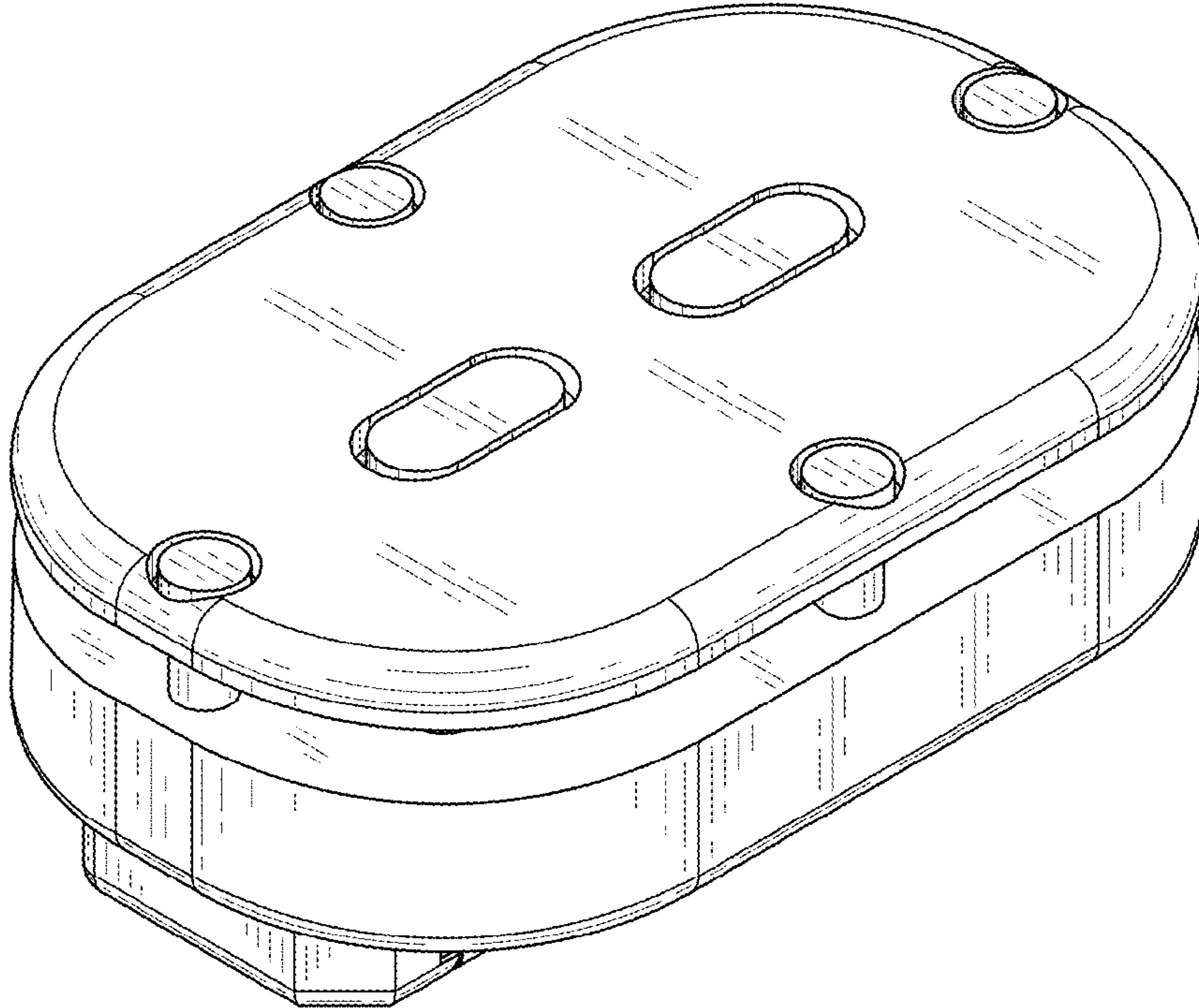


FIG. 8