



US00D976835S

(12) **United States Design Patent** (10) **Patent No.:** **US D976,835 S**
Tao (45) **Date of Patent:** **** Jan. 31, 2023**

(54) **POWER PLUG**
(71) Applicant: **Deals Realm LLC**, Eastvale, CA (US)
(72) Inventor: **Yuebo Tao**, Eastvale, CA (US)
(73) Assignee: **Deals Realm LLC**, Eastvale, CA (US)
(**) Term: **15 Years**
(21) Appl. No.: **29/846,737**
(22) Filed: **Jul. 19, 2022**
(51) **LOC (14) Cl.** **13-03**
(52) **U.S. Cl.**
USPC **D13/138.2**
(58) **Field of Classification Search**
USPC D13/137.1, 137.2, 137.3, 137.4, 138.1,
D13/138.2, 139.1, 139.2, 139.3, 139.4,
D13/139.5, 139.6, 139.7, 139.8
CPC H01R 13/11; H01R 13/518; H01R 13/642;
H01R 13/652; H01R 25/003; H01R
25/006; H01R 43/26; H01H 71/62; H01H
73/14
See application file for complete search history.

2003/0186593 A1* 10/2003 Yu H01R 13/6335
439/695
2010/0285687 A1* 11/2010 Wadsworth H01R 35/02
439/660
2012/0009807 A1* 1/2012 Kuo H01R 24/30
439/131

FOREIGN PATENT DOCUMENTS

CN 303627885 * 3/2016
KR 300900916.0000 * 4/2017
KR 300913500.0000 * 7/2017
KR 300857295.0000 * 6/2019
KR 301105536.0000 * 4/2021
KR 301177816.0000 * 8/2022
WO WOD099441-001 * 2/2018

* cited by examiner

Primary Examiner — Rosemary K Tarcza
Assistant Examiner — Seth David Kumpf
(74) *Attorney, Agent, or Firm* — ScienBiziP, P.C.

(57) **CLAIM**

The ornamental design for a power plug, as shown and described.

DESCRIPTION

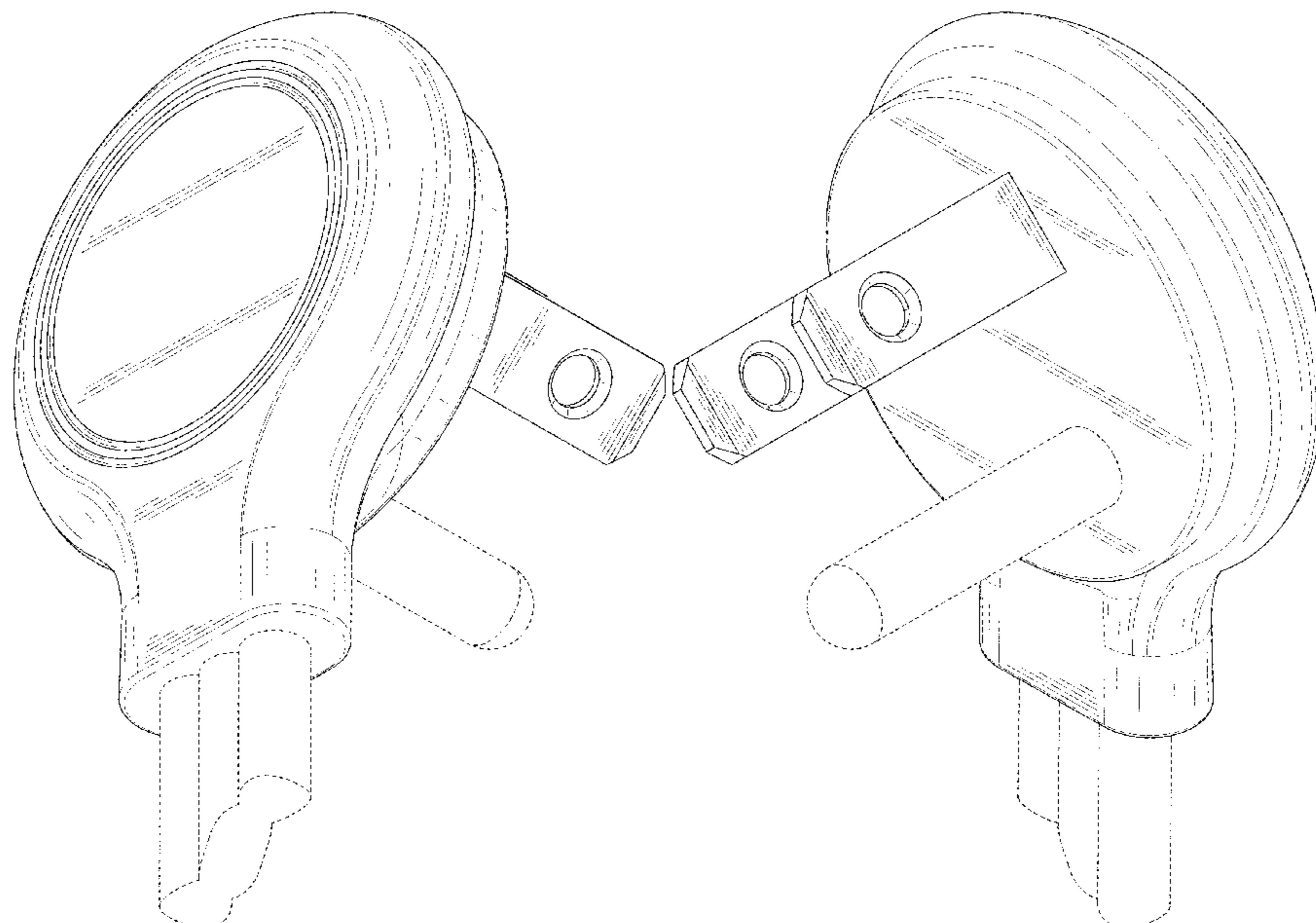
FIG. 1 is a front, right and bottom perspective view of a power plug, showing my design.
FIG. 2 is a rear, left and top perspective view thereof.
FIG. 3 is a front elevation view thereof.
FIG. 4 is a rear elevation view thereof.
FIG. 5 is a left side elevation view thereof.
FIG. 6 is a right side elevation view thereof.
FIG. 7 is a top plan view thereof; and,
FIG. 8 is a bottom plan view thereof.
The broken lines shown in the drawings are included for the purpose of illustrating portions of the power plug that form no part of the claimed design.

1 Claim, 8 Drawing Sheets

(56) **References Cited**

U.S. PATENT DOCUMENTS

D355,408 S * 2/1995 Geis D13/138.1
D379,964 S * 6/1997 Maddock D13/138.1
D401,903 S * 12/1998 Dwight D13/138.2
D670,248 S * 11/2012 Chen D13/138.2
D795,810 S 8/2017 Kawamoto et al.
D819,571 S * 6/2018 Eshelman D13/138.2
D826,162 S * 8/2018 Byrne D13/139.7
D843,322 S * 3/2019 Faul D13/139.8
D870,672 S * 12/2019 Byrne D13/139.7
D899,371 S * 10/2020 Kusano D13/137.1
D928,092 S 8/2021 Kusano et al.
D944,742 S * 3/2022 Yan D13/137.4



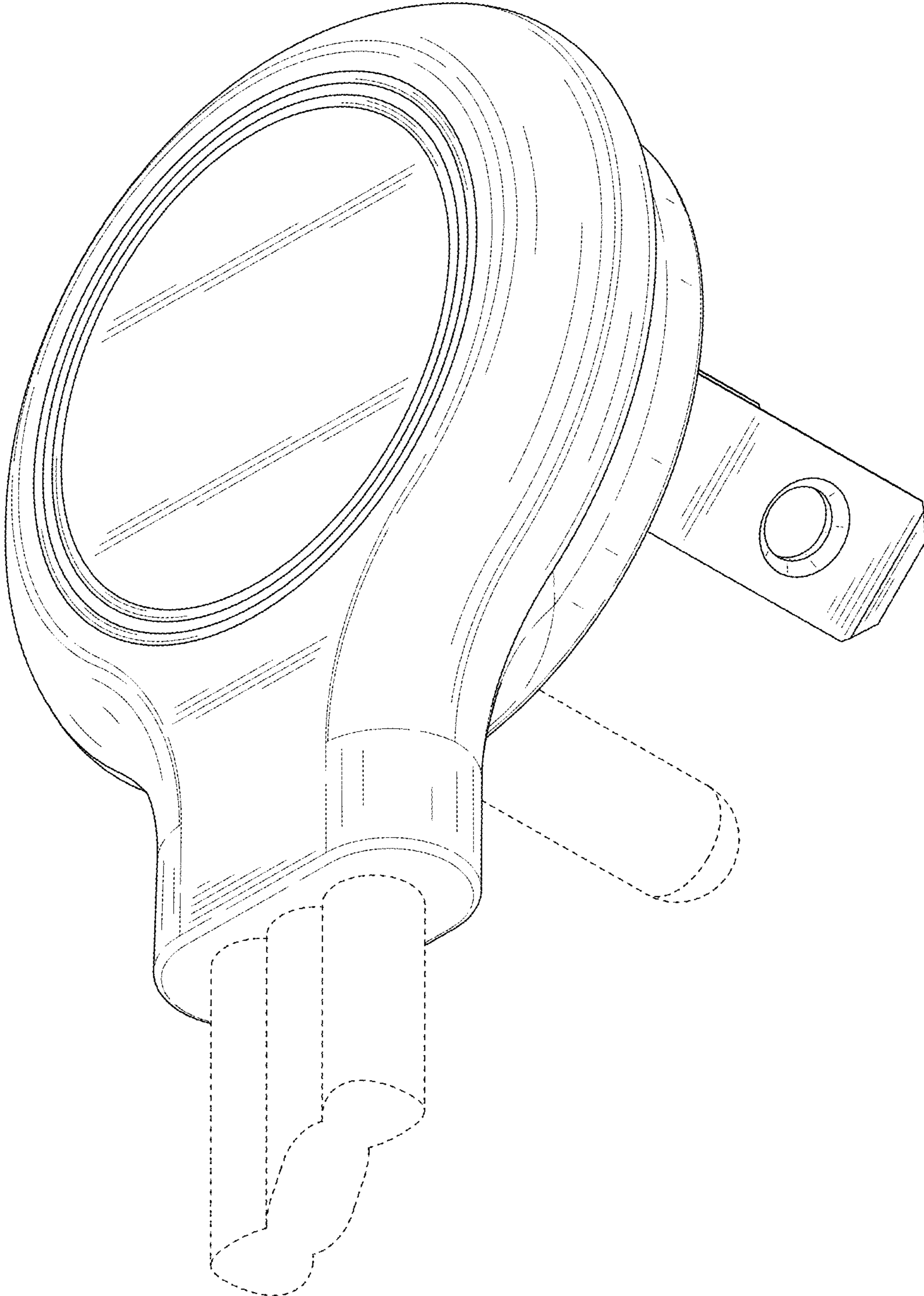


FIG. 1

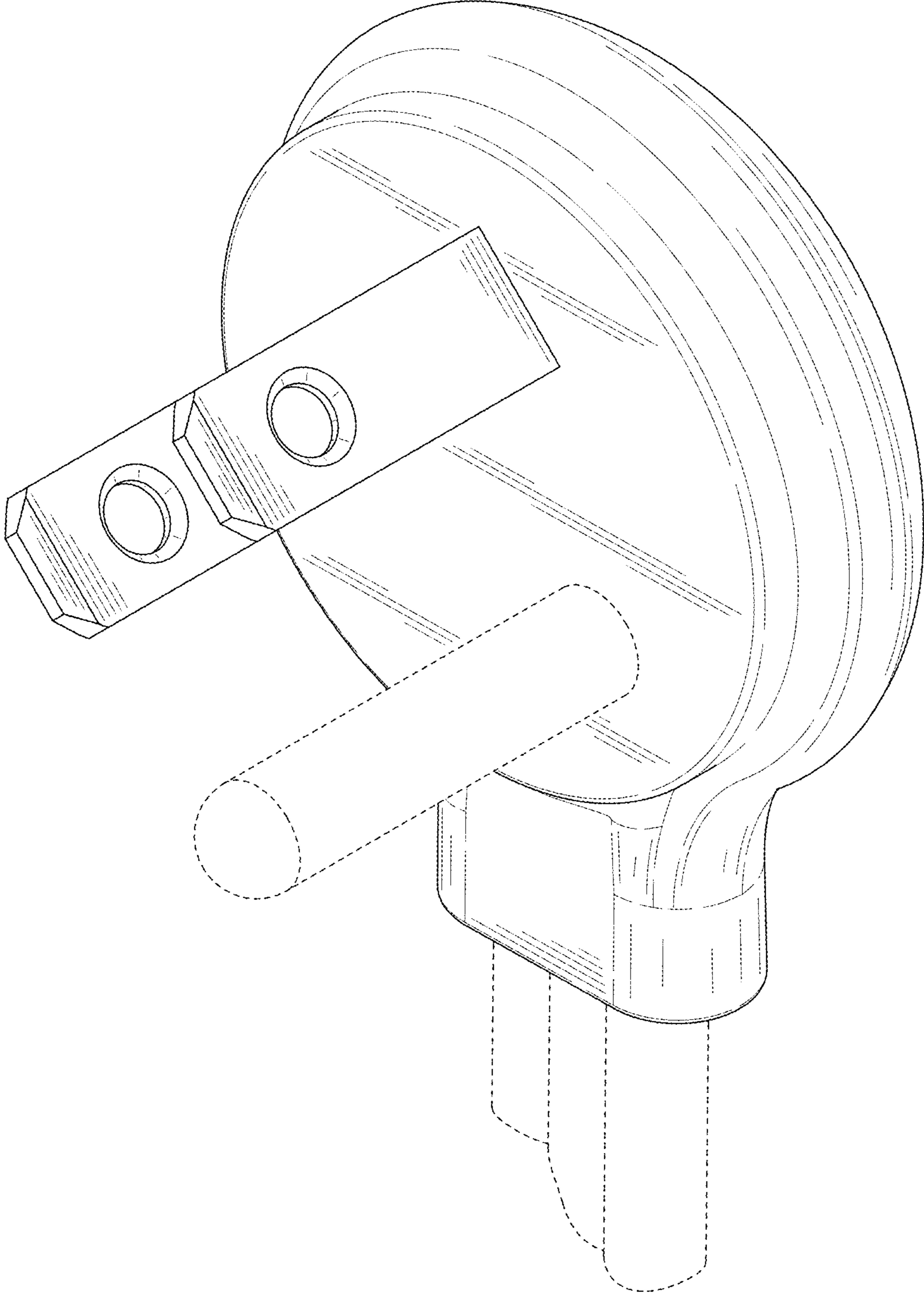


FIG. 2

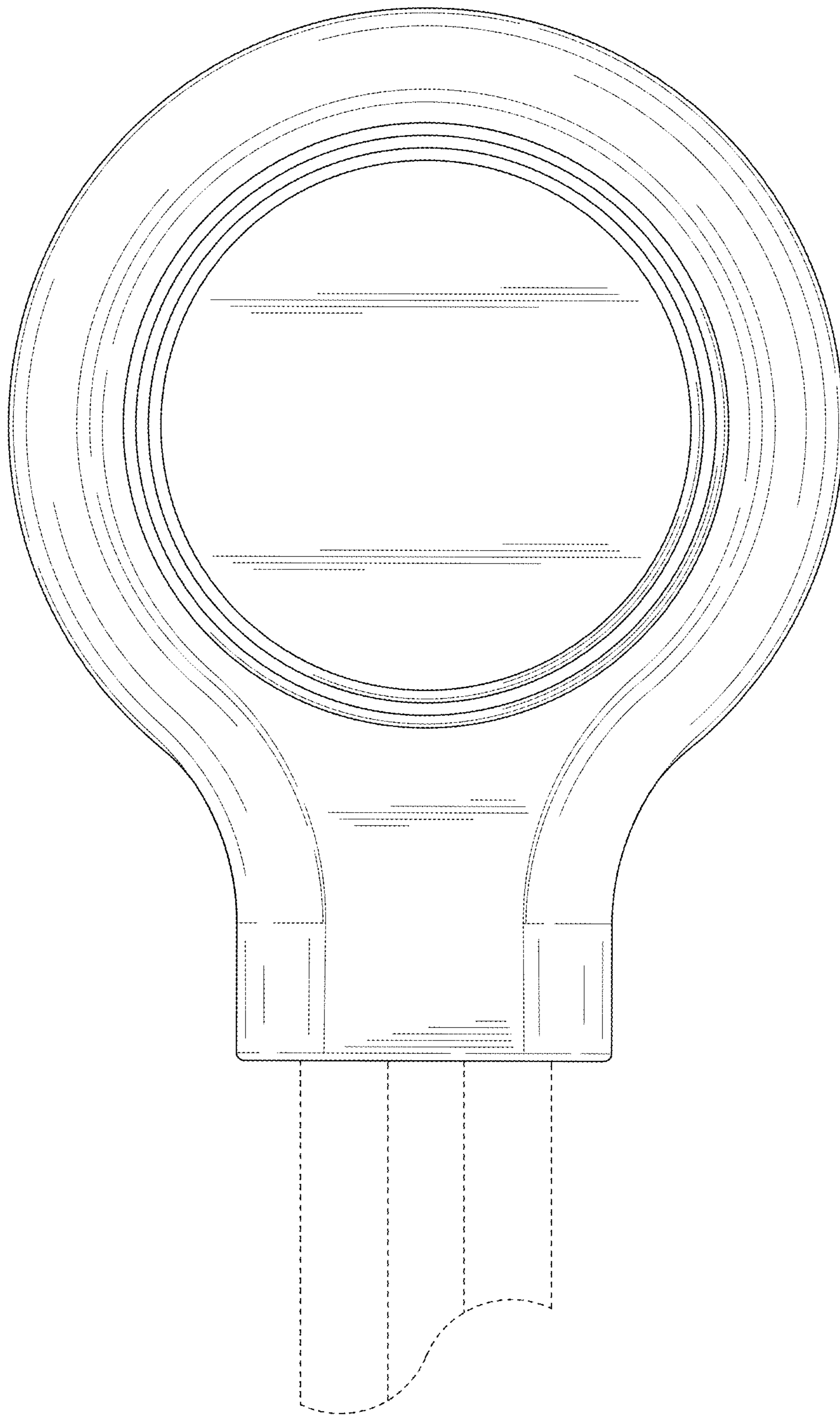


FIG. 3

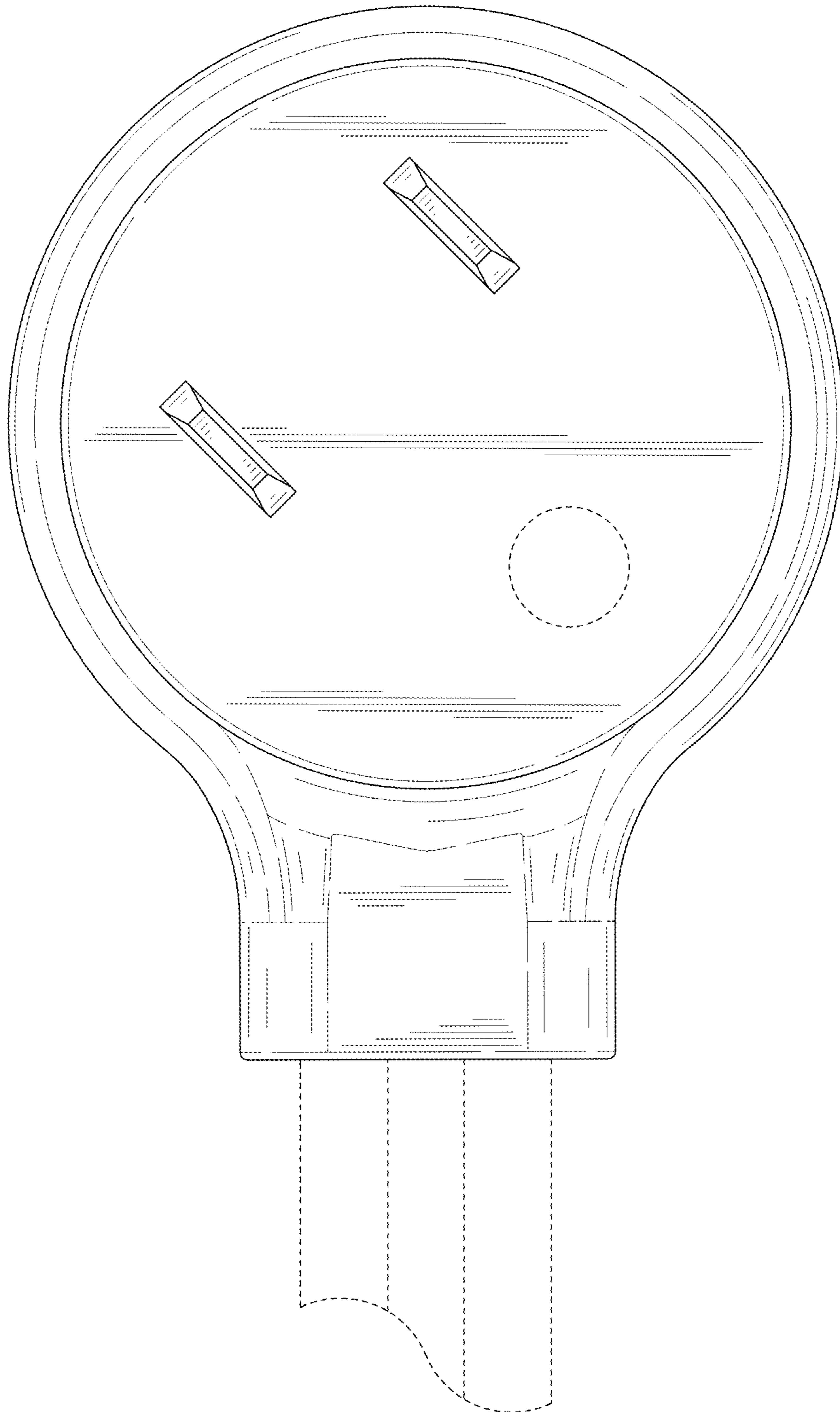


FIG. 4

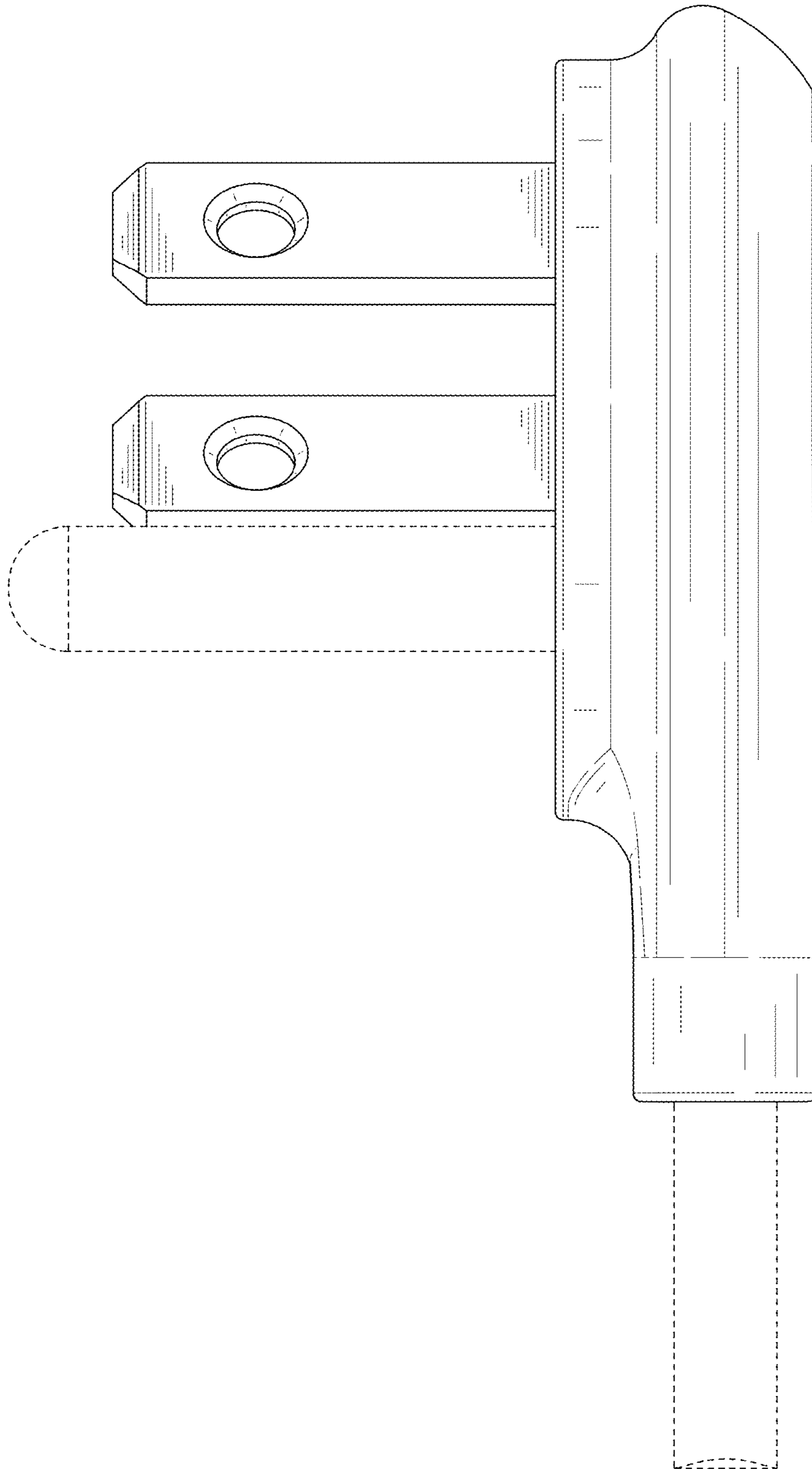


FIG. 5

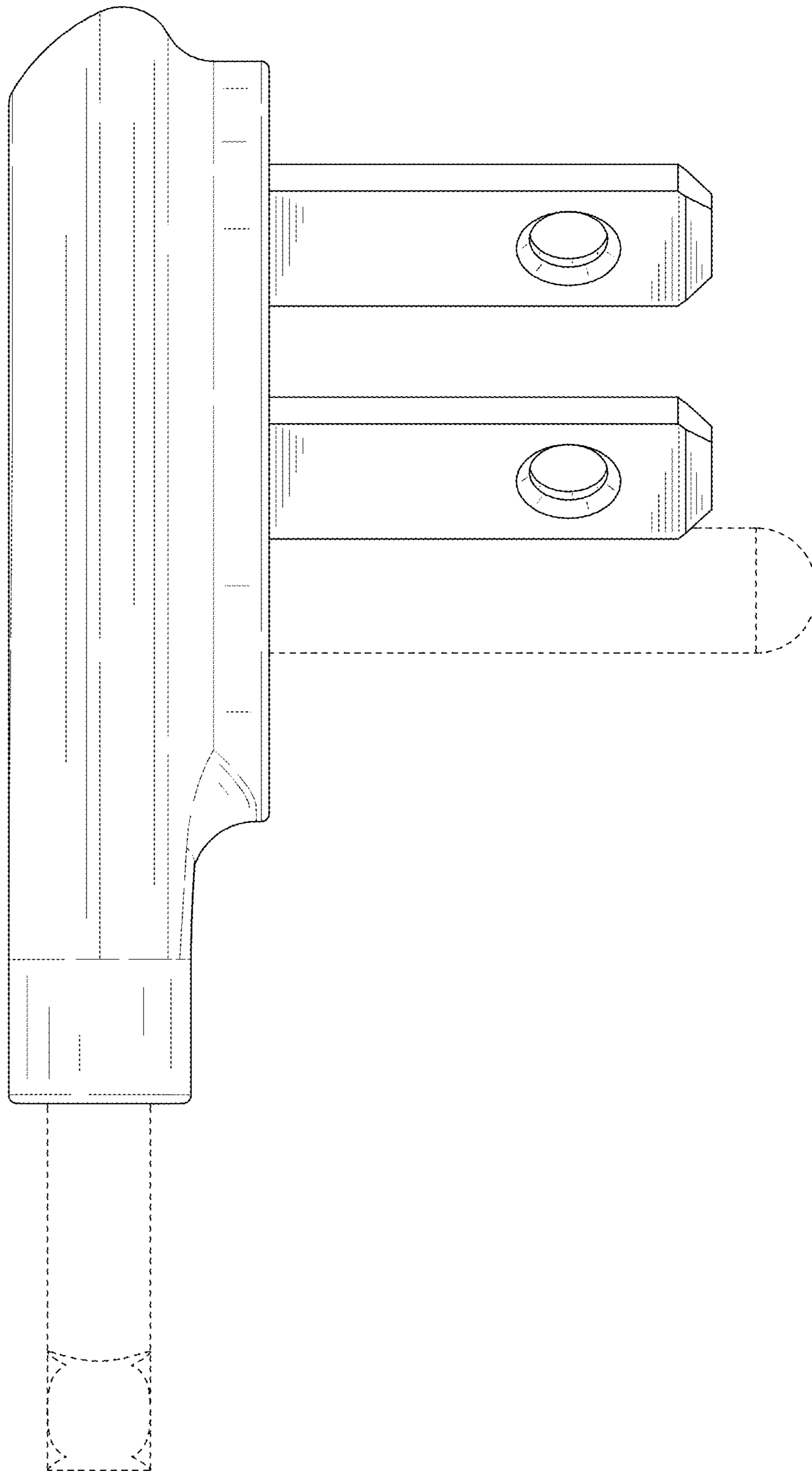


FIG. 6

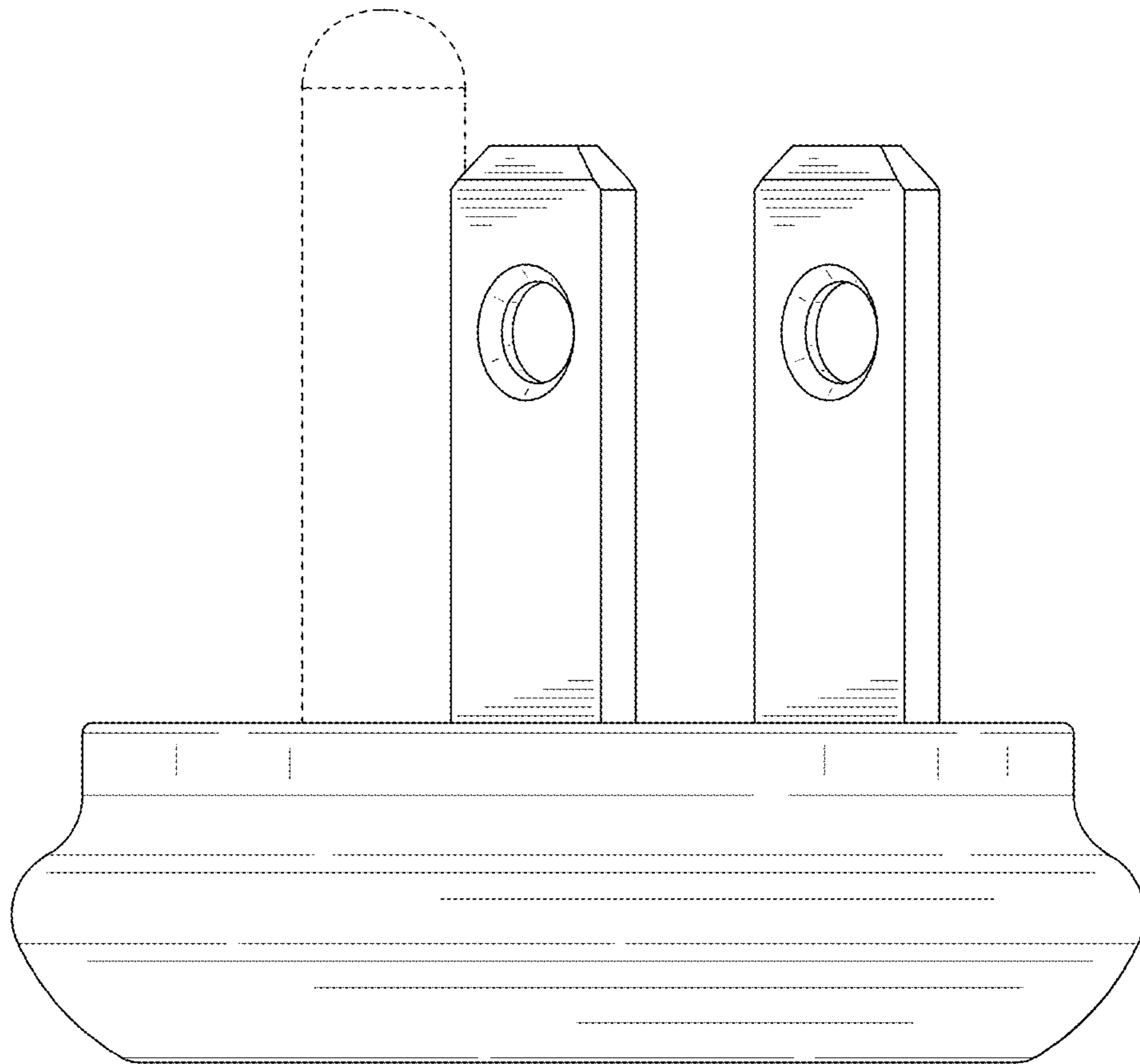


FIG. 7

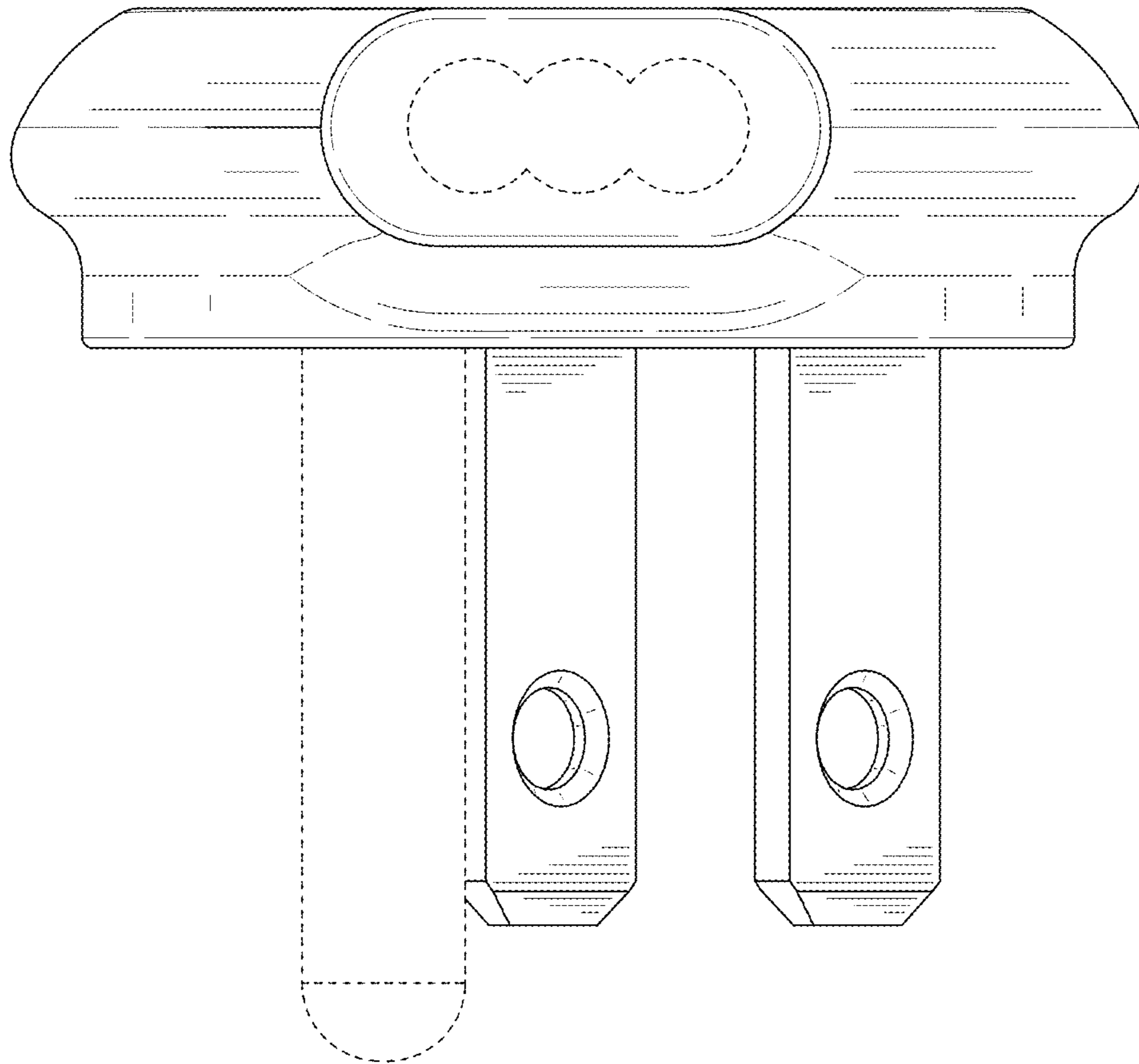


FIG. 8