



US00D976834S

(12) **United States Design Patent**
Duan

(10) **Patent No.:** **US D976,834 S**
(45) **Date of Patent:** **** Jan. 31, 2023**

(54) **PLUG SOCKET**

(71) Applicant: **Changsha Yinuoqing Electronic Trading Co., Ltd, Hunan (CN)**

(72) Inventor: **Liangqiong Duan, Hunan (CN)**

(**) Term: **15 Years**

(21) Appl. No.: **29/857,853**

(22) Filed: **Oct. 26, 2022**

(51) **LOC (14) Cl.** **13-03**

(52) **U.S. Cl.**
USPC **D13/137.2**

(58) **Field of Classification Search**
USPC D13/137.1-137.4, 138.2, 138.1, 139.7,
D13/139.8
CPC H01R 33/94; H01R 31/06; H02J 7/0042
See application file for complete search history.

(56) **References Cited**

U.S. PATENT DOCUMENTS

D559,783 S	1/2008	Matzdorff et al.	
D848,948 S *	5/2019	Wei	D13/137.2
D851,597 S *	6/2019	Ding	D13/137.2
D861,613 S *	10/2019	Dai	D13/137.2
D867,996 S *	11/2019	Chen	D13/137.2
D869,398 S *	12/2019	Wang	D13/137.3

D903,601 S *	12/2020	Tseng	D13/137.2
D911,969 S *	3/2021	Canizares	D13/137.2
D923,576 S *	6/2021	Lyu	D13/137.2
D924,805 S *	7/2021	Luo	D13/137.2
D932,442 S *	10/2021	Rajasekaran	D13/137.2
D934,177 S *	10/2021	Canizares	D13/137.2
D939,445 S *	12/2021	Hsu	D13/137.1
D955,339 S *	6/2022	Mei	D13/137.2
D966,194 S *	10/2022	Loor Canizares	D13/137.2
D968,333 S *	11/2022	Pan	D13/137.3

* cited by examiner

Primary Examiner — Rhea Shields

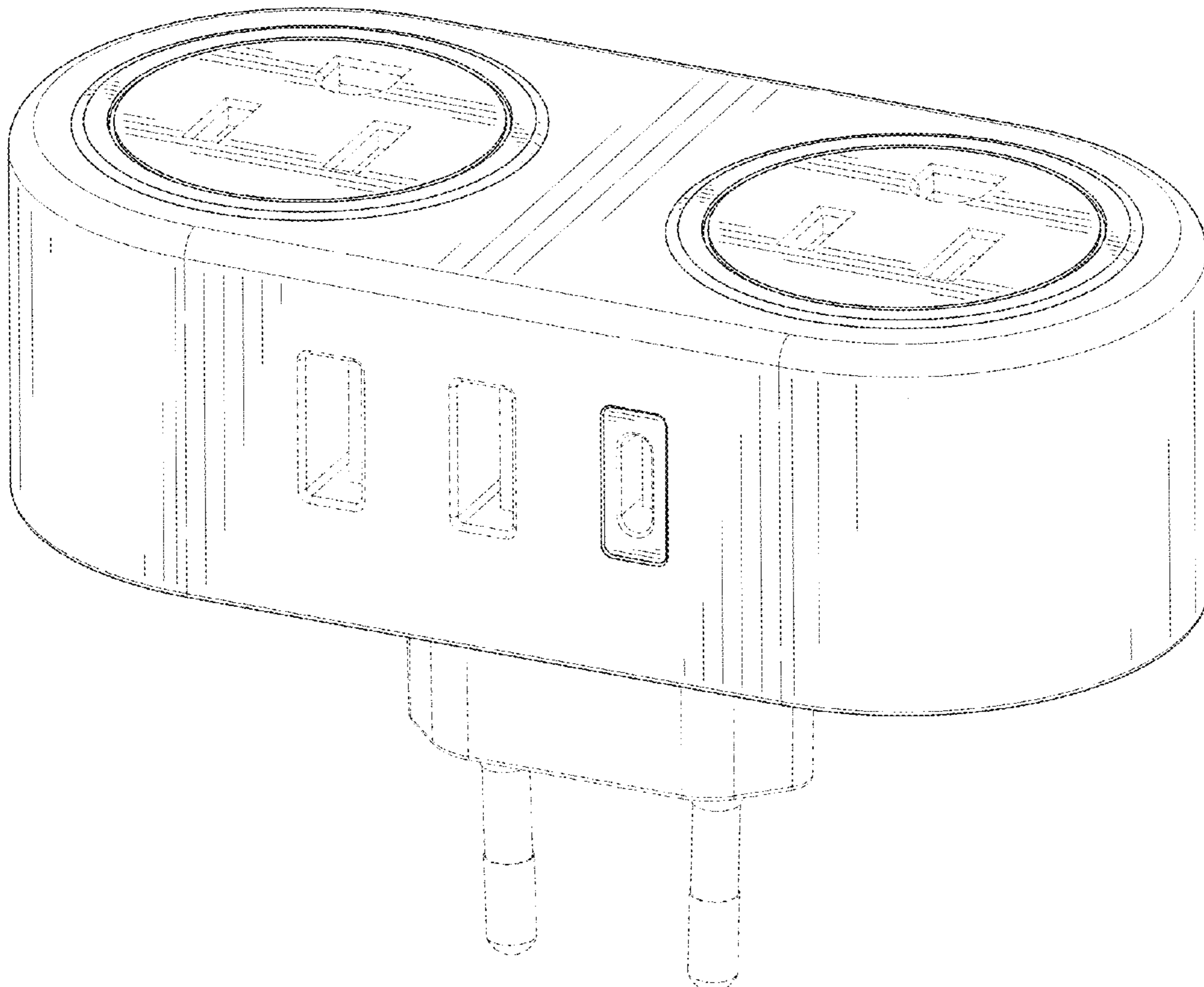
(57) **CLAIM**

The ornamental design for a plug socket, as shown and described.

DESCRIPTION

FIG. 1 is a front and top perspective view of a plug socket, showing my new design;
FIG. 2 is a rear and bottom perspective view thereof;
FIG. 3 is a front elevation view thereof;
FIG. 4 is a rear elevation view thereof;
FIG. 5 is a left side elevation view thereof;
FIG. 6 is a right side elevation view thereof;
FIG. 7 is a top plan view thereof; and,
FIG. 8 is a bottom plan view thereof.
The broken lines in the figures illustrate portions of the plug socket that form no part of the claimed design.

1 Claim, 8 Drawing Sheets



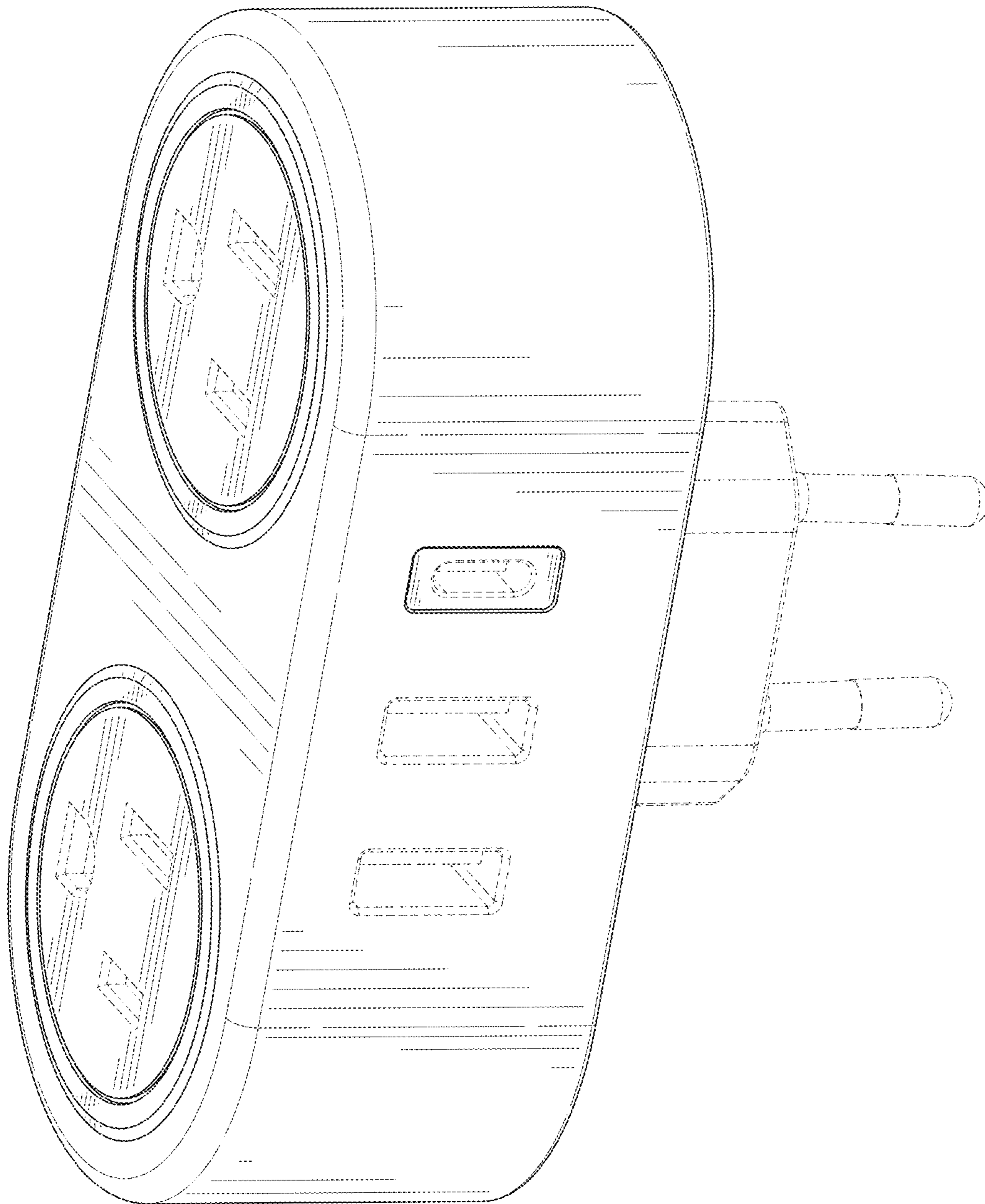


FIG. 1

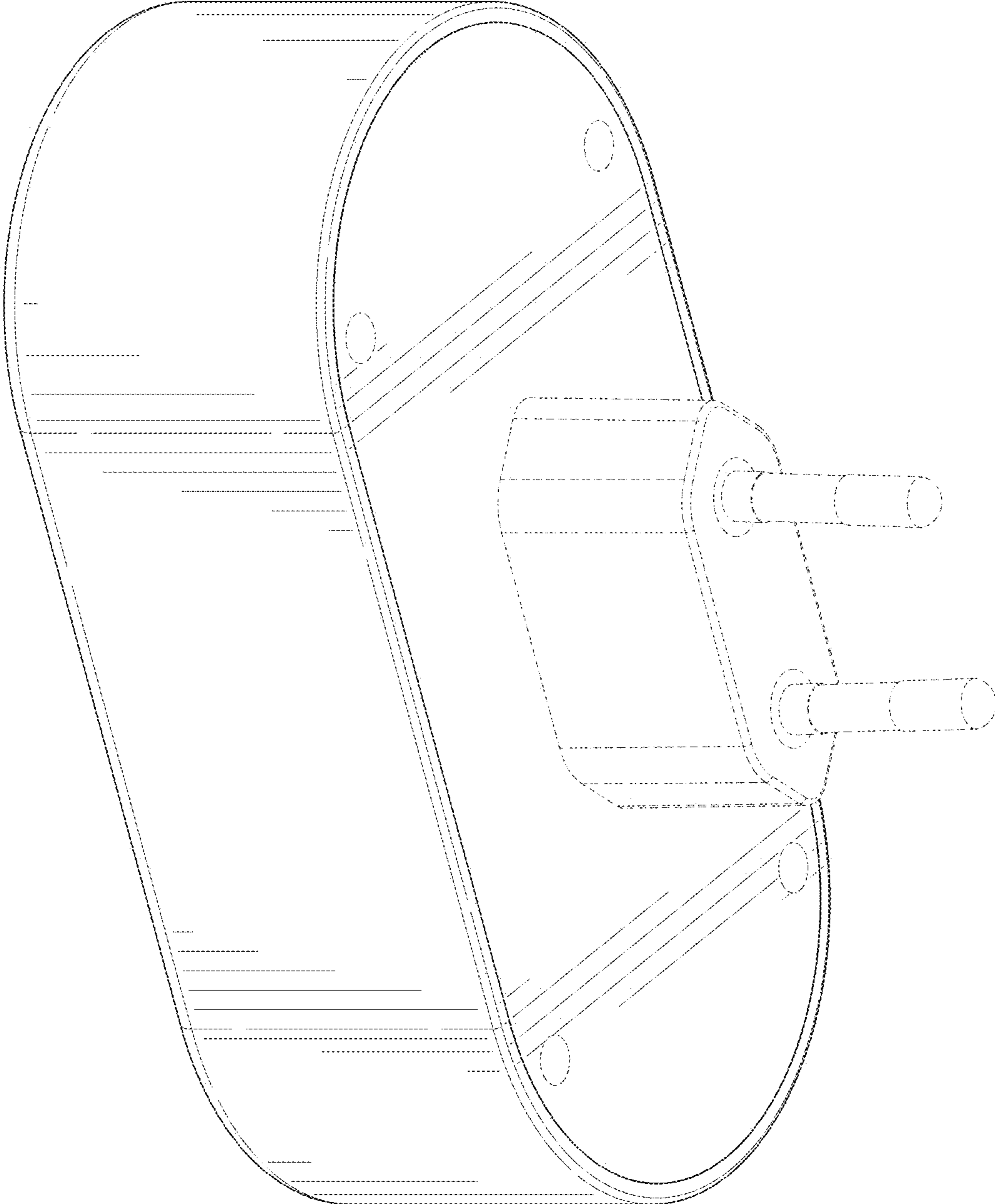


FIG. 2

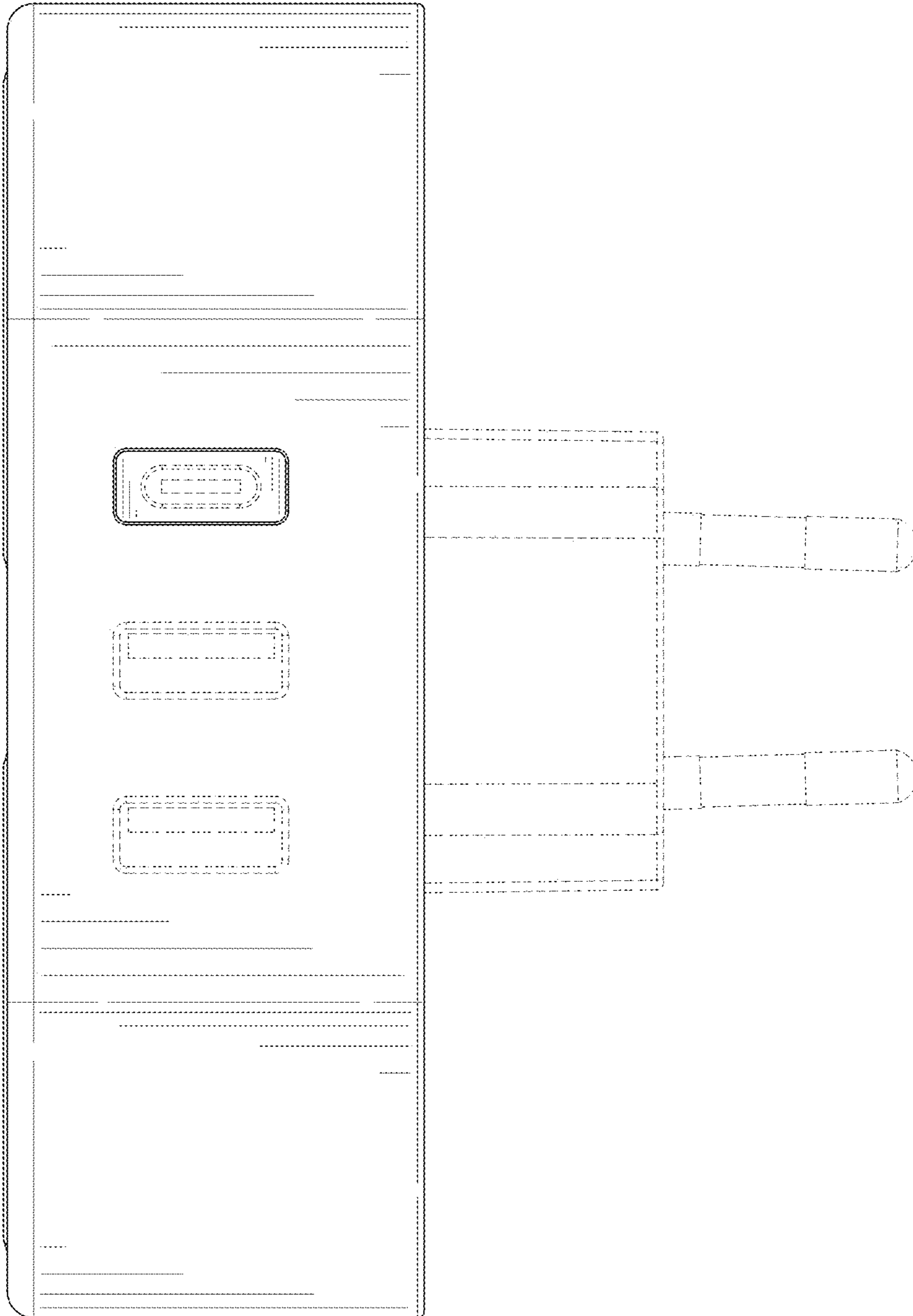


FIG. 3

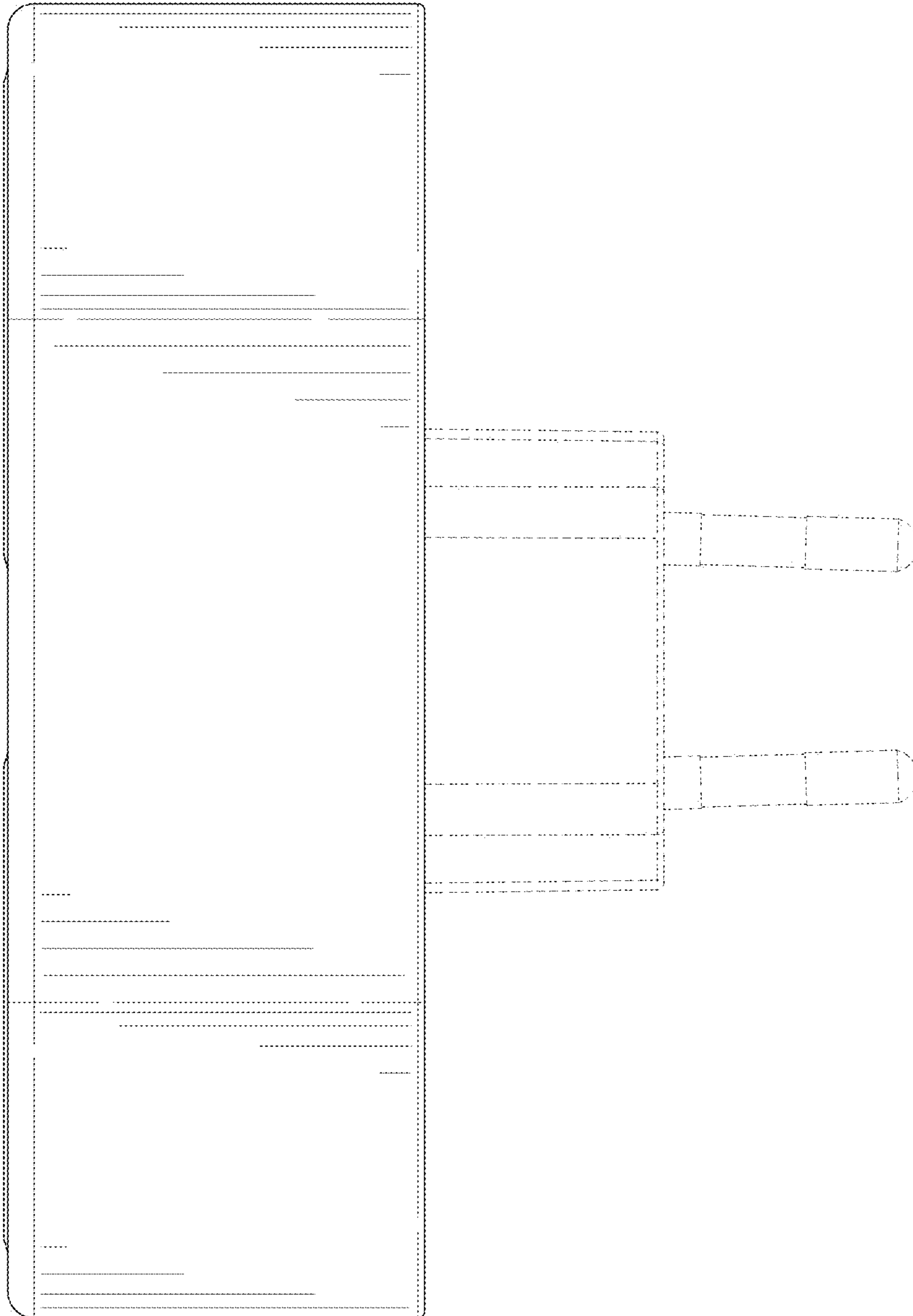


FIG. 4

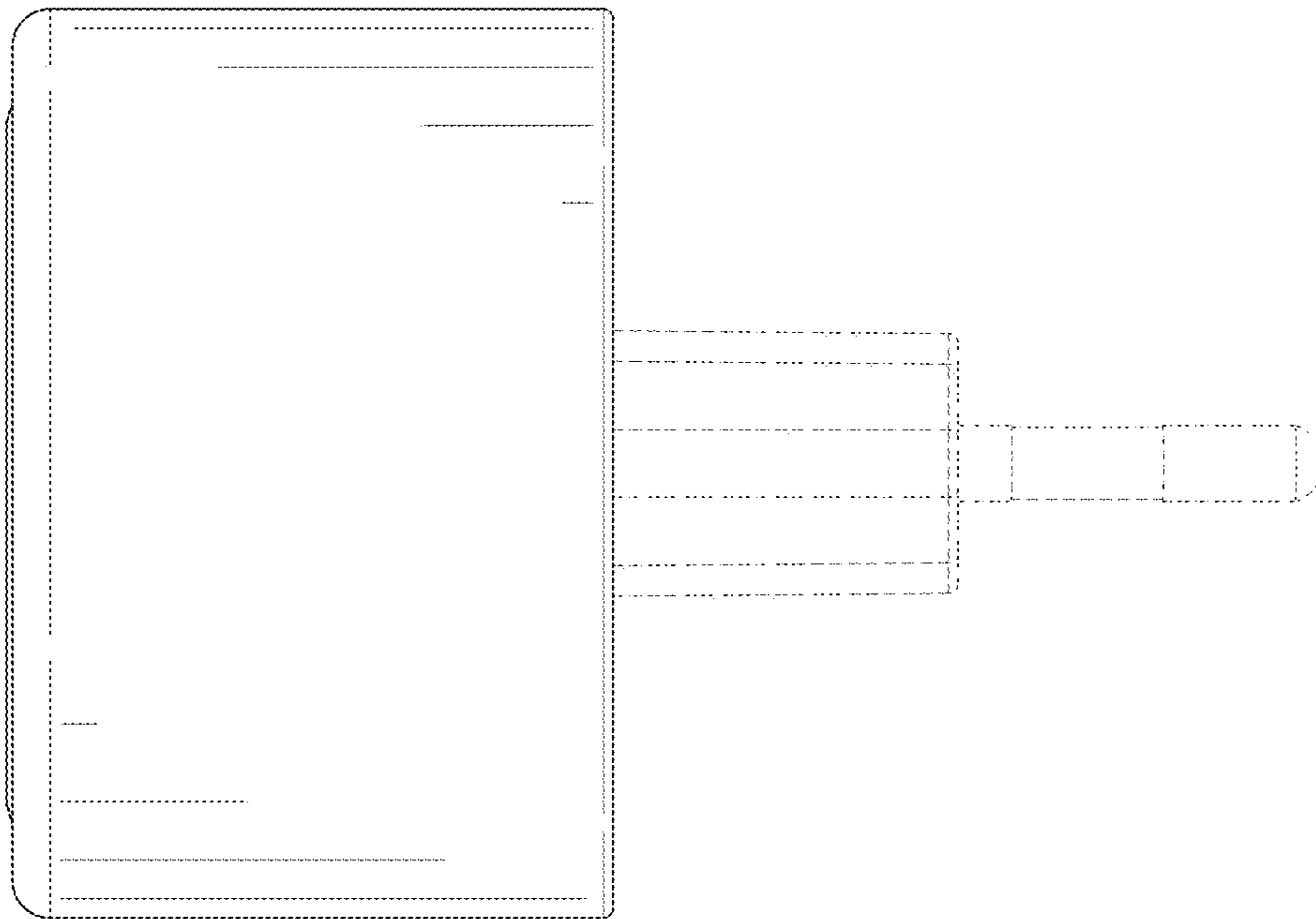


FIG. 5

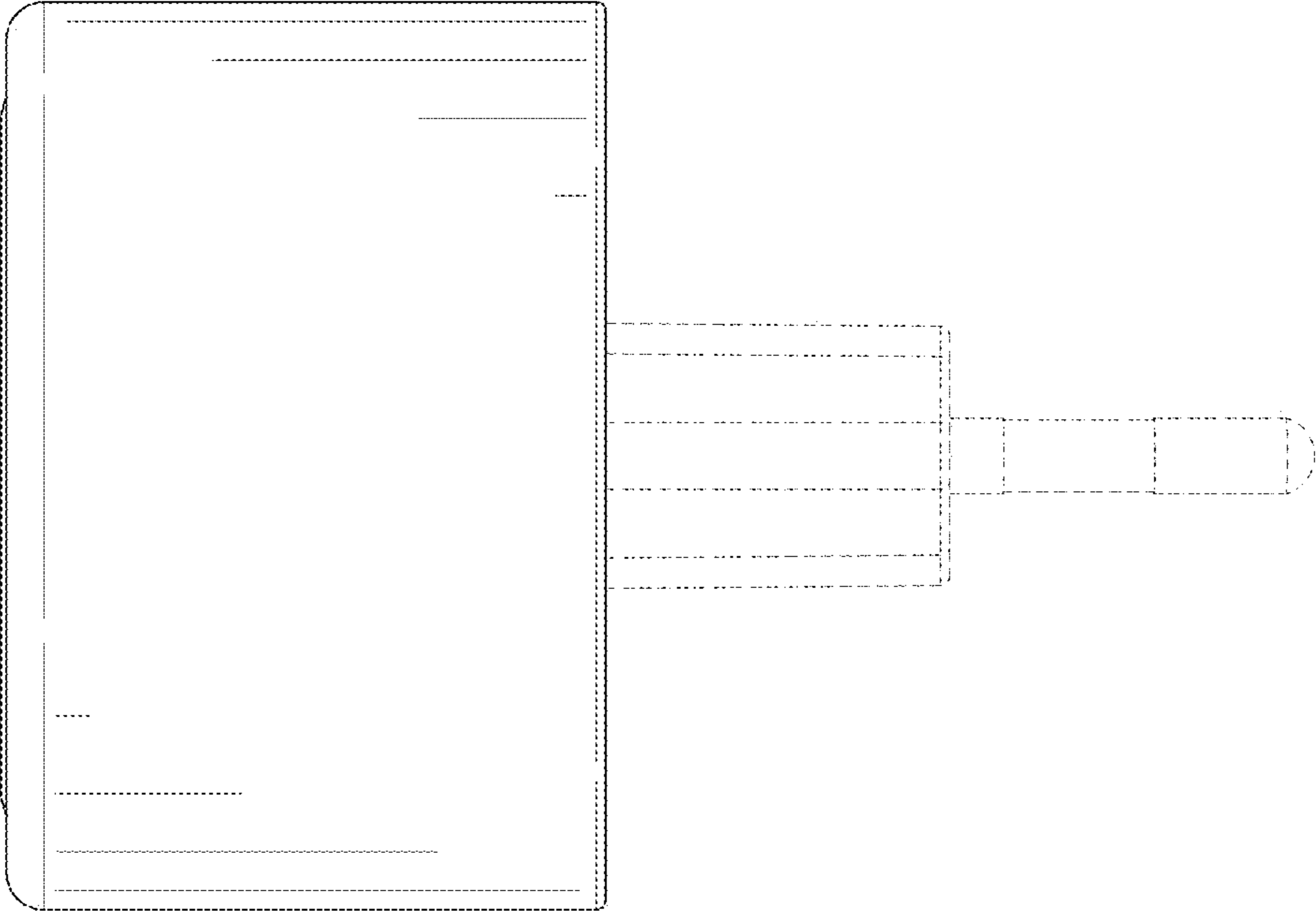


FIG. 6

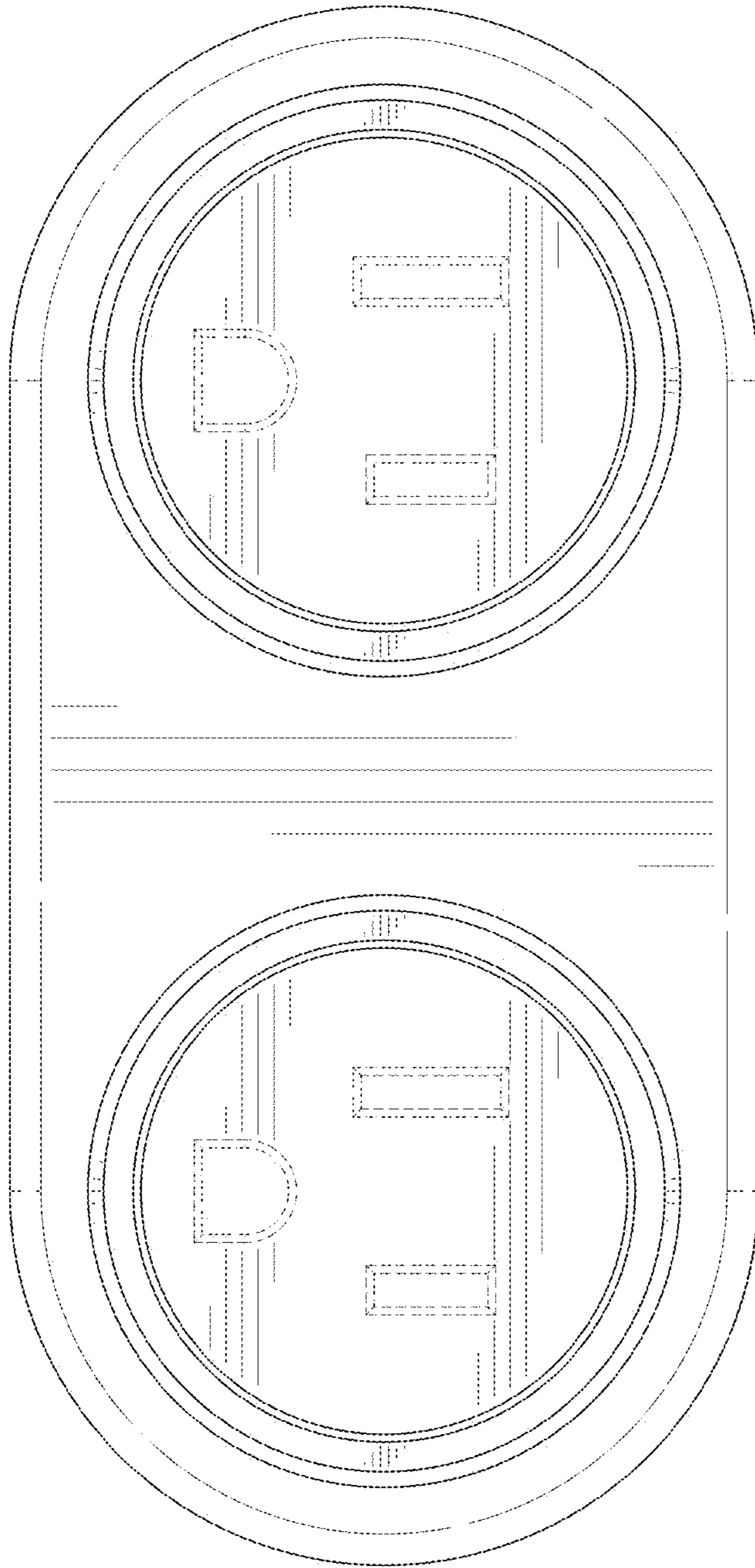


FIG. 7

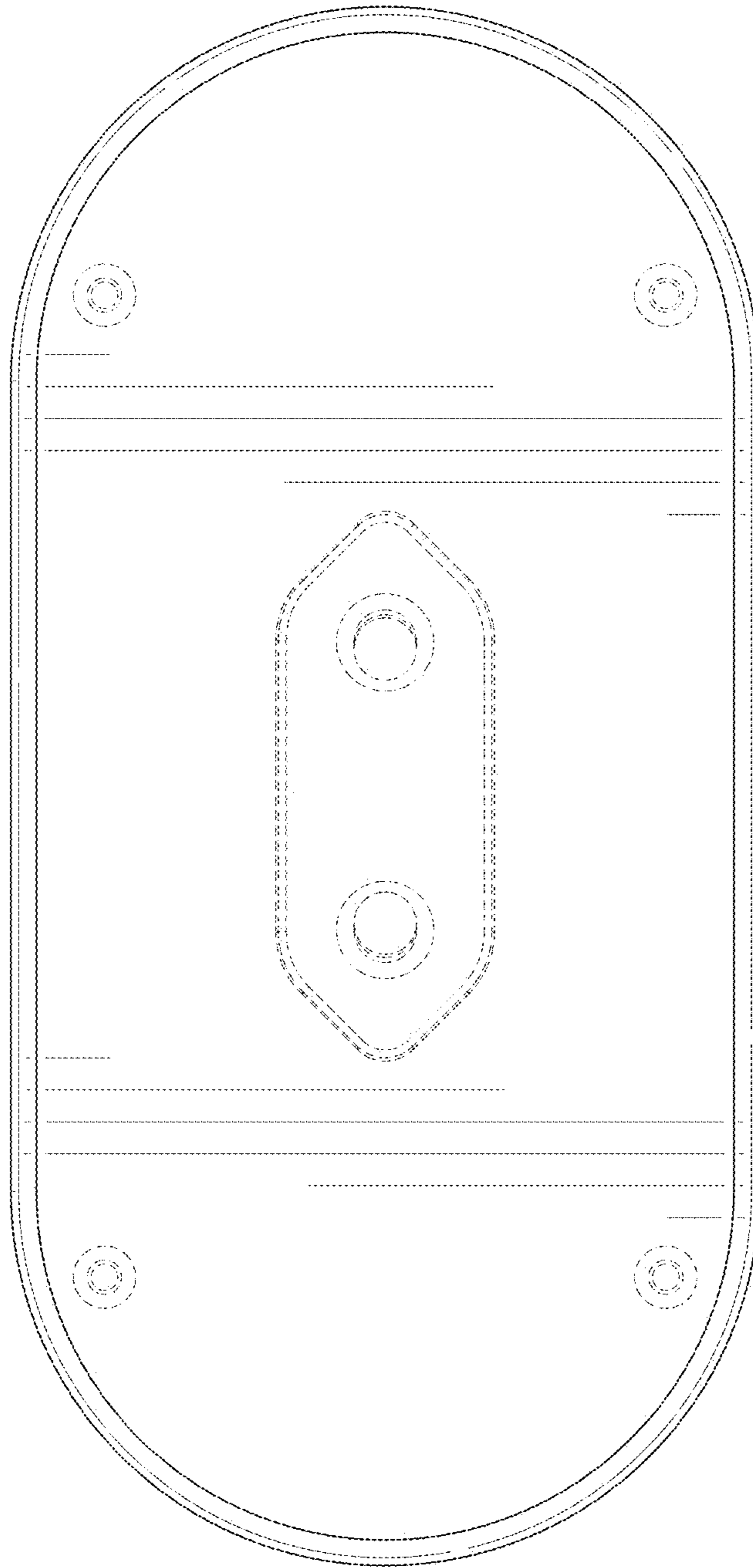


FIG. 8