



US00D976833S

(12) **United States Design Patent**
Cho et al.

(10) **Patent No.:** **US D976,833 S**
(45) **Date of Patent:** **** Jan. 31, 2023**

(54) **CONNECTOR HOUSING FOR ELECTRONIC APPARATUS**

(71) Applicant: **Tyco Electronics AMP Korea Co. Ltd.**, Gyeongsanbuk-do (KR)

(72) Inventors: **Byung-Hee Cho**, Gyeongsan-si (KR);
Sung-Chul Kim, Gyeongsan-si (KR);
Suk-Eun Jung, Gyeongsan-si (KR)

(73) Assignee: **Tyco Electronics AMP Korea Co., Ltd.**, Gyeongsan-si (KR)

(**) Term: **15 Years**

(21) Appl. No.: **29/743,531**

(22) Filed: **Jul. 22, 2020**

(30) **Foreign Application Priority Data**

Jan. 22, 2020 (KR) 30-2020-0003170

(51) **LOC (14) Cl.** **13-03**

(52) **U.S. Cl.**
USPC **D13/133**

(58) **Field of Classification Search**
USPC D13/102, 133, 147, 151, 152, 154, 156
CPC H01R 13/52; H01R 13/56; H01R 13/6275;
H01R 43/26
See application file for complete search history.

(56) **References Cited**

U.S. PATENT DOCUMENTS

5,762,520 A * 6/1998 Martin H01R 13/56
439/470
D581,364 S * 11/2008 Cummings D13/151

D620,888 S * 8/2010 Svelnis D13/133
D621,355 S * 8/2010 Svelnis D13/133
D639,250 S * 6/2011 Svelnis D13/154
D659,099 S * 5/2012 Svelnis D13/151
D672,725 S * 12/2012 Svelnis D13/151
D678,200 S * 3/2013 Corona D13/133
D679,254 S * 4/2013 Svelnis D13/133
D686,978 S * 7/2013 Nicholson D13/102
10,199,765 B2 * 2/2019 Gao H01R 13/52
2006/0276071 A1 * 12/2006 Rossi H01R 13/6275
439/352
2011/0244710 A1 * 10/2011 Svelnis H01R 43/26
439/372

* cited by examiner

Primary Examiner — Shawn T Gingrich
Assistant Examiner — Bryan N. Melvin
(74) *Attorney, Agent, or Firm* — Barley Snyder

(57) **CLAIM**

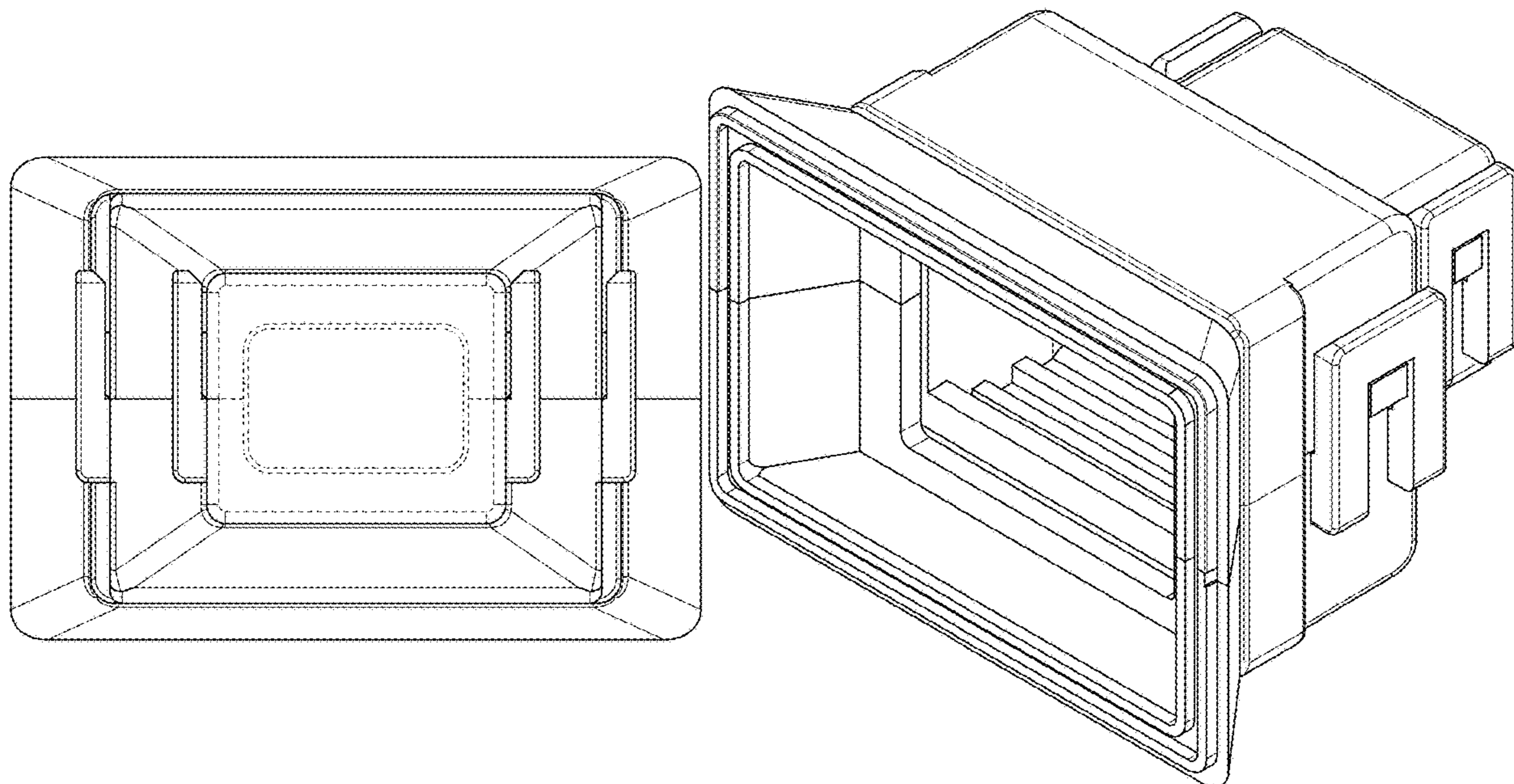
The ornamental design for a connector housing for electronic apparatus, as shown and described.

DESCRIPTION

FIG. 1 is a front elevation view of the connector housing for electronic apparatus, showing the new design;
FIG. 2 is a rear plan view thereof;
FIG. 3 is a left side elevation view thereof;
FIG. 4 is a right side elevation view thereof;
FIG. 5 is a top plan view thereof;
FIG. 6 is a bottom plan view thereof; and,
FIG. 7 is a front, top plan and right side perspective view thereof.

The broken lines in the drawings illustrate portions of the connector housing for electronic apparatus that form no part of the claimed design.

1 Claim, 4 Drawing Sheets



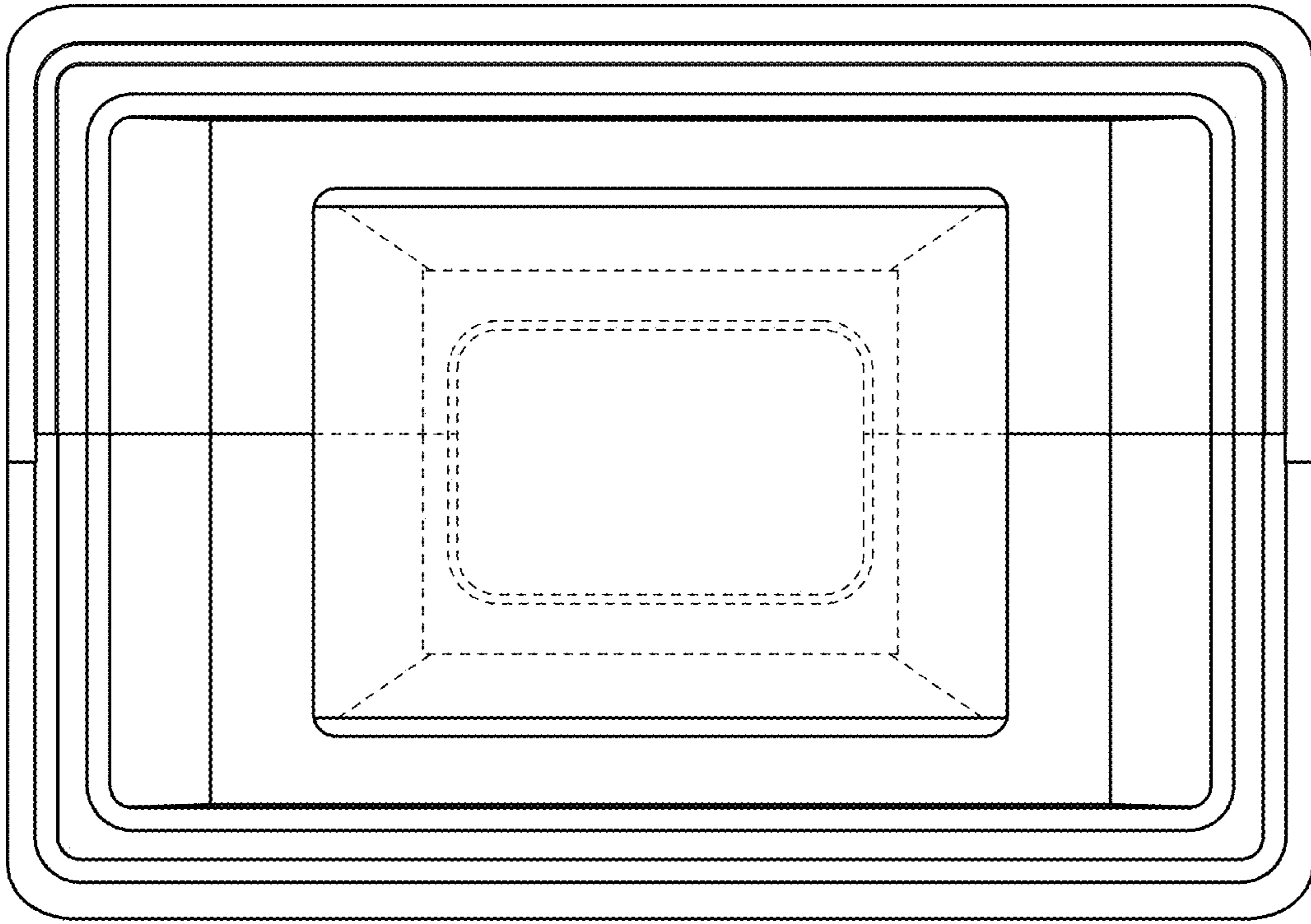


Fig. 1

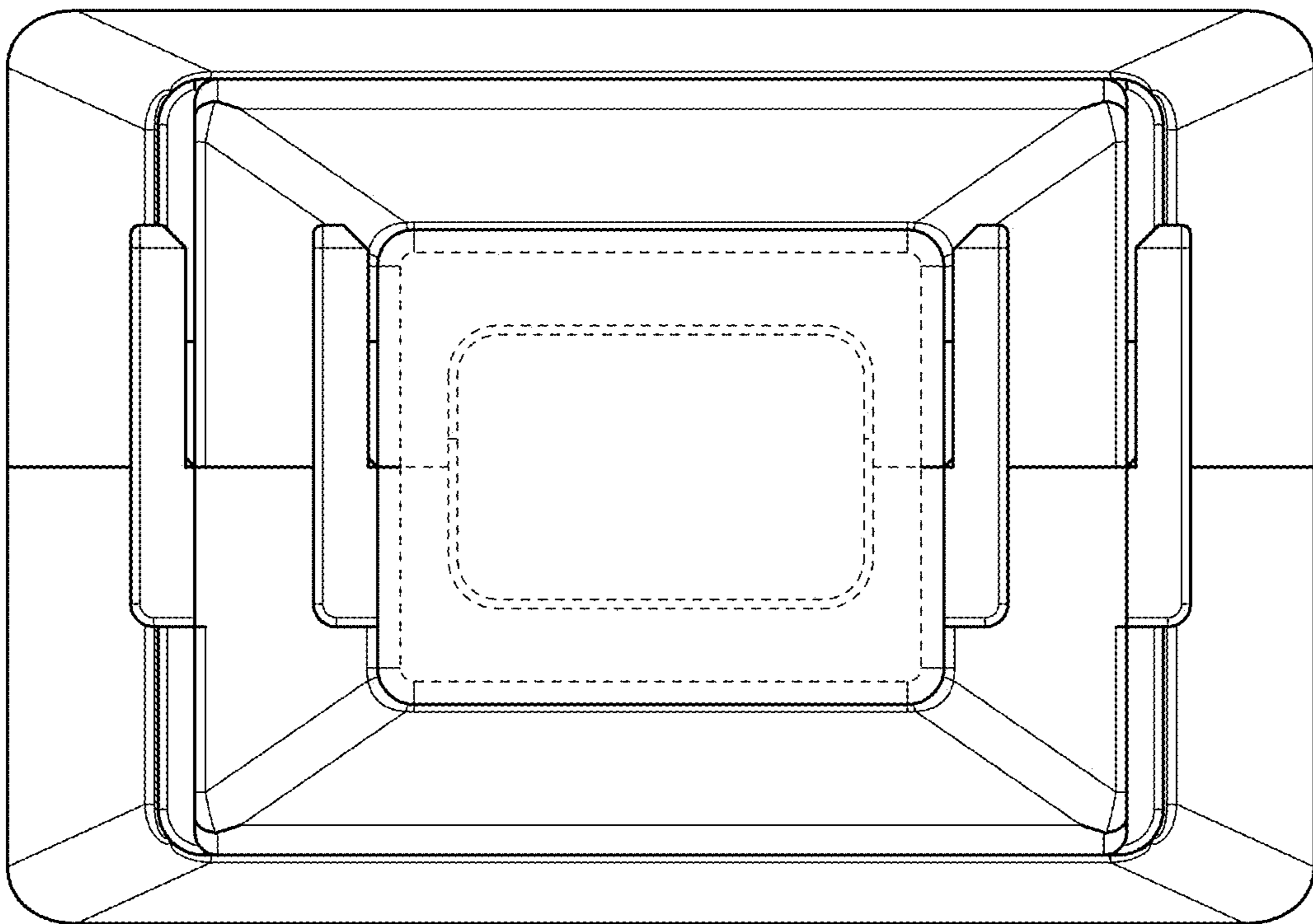


Fig. 2

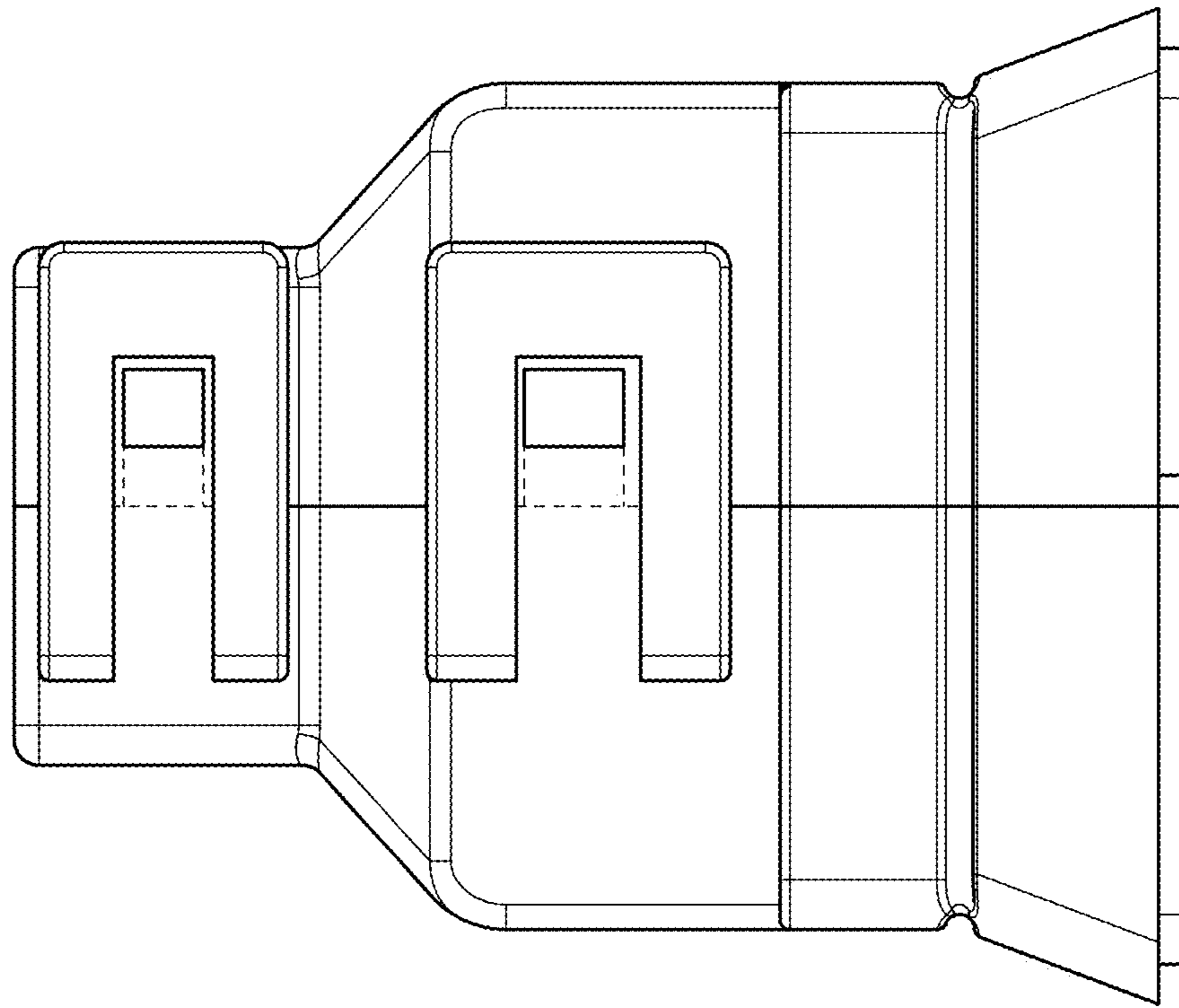


Fig. 3

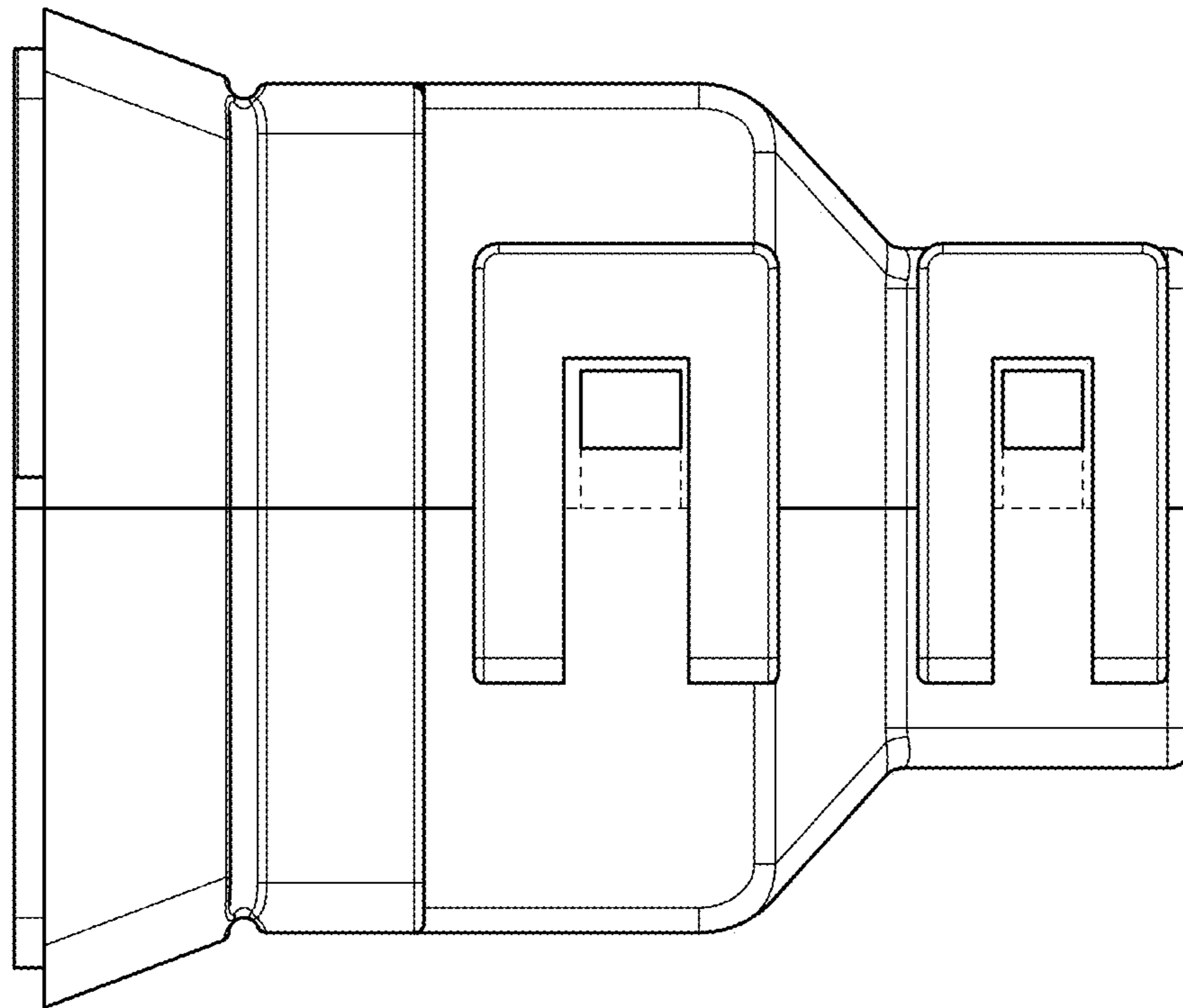


Fig. 4

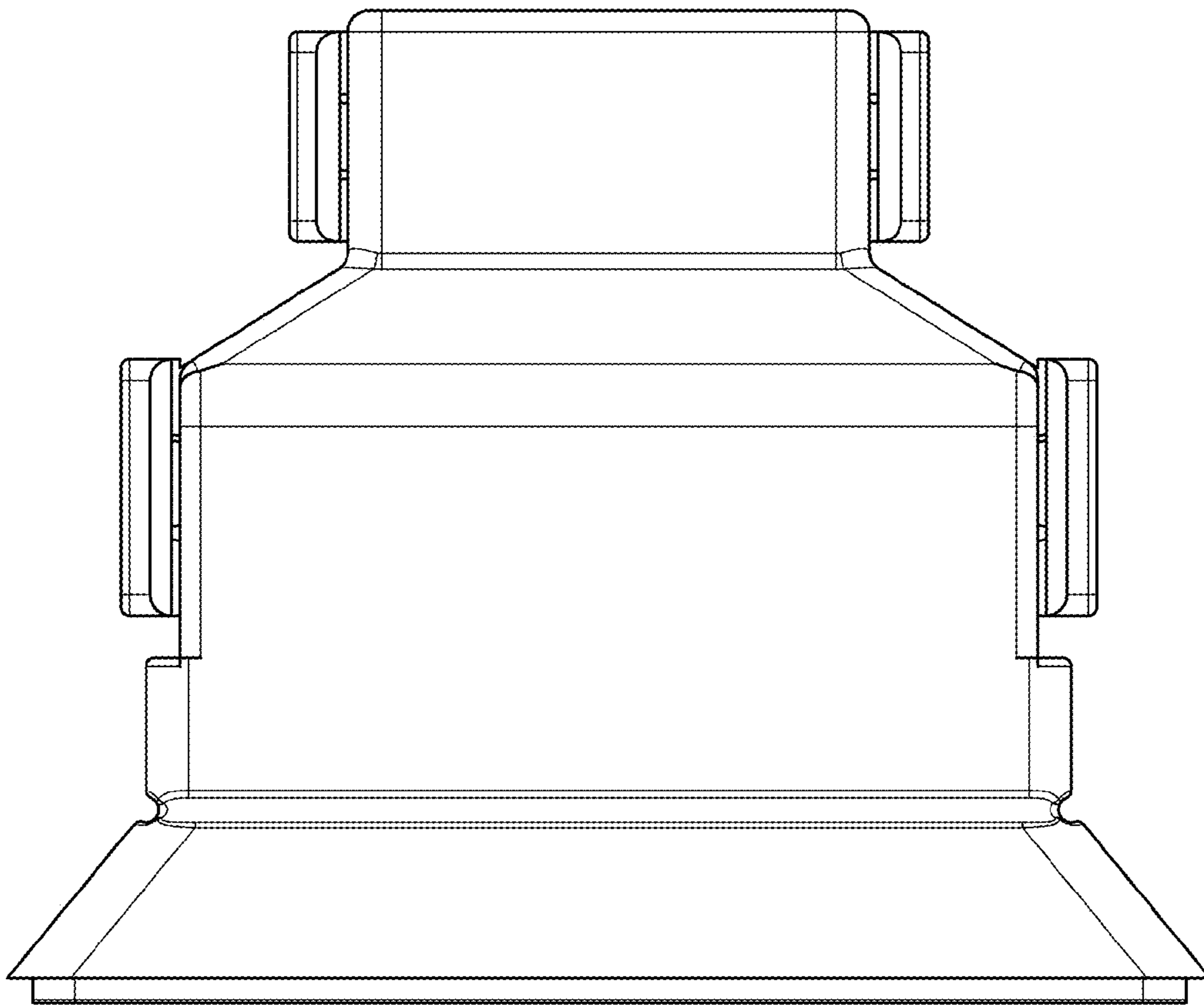


Fig. 5

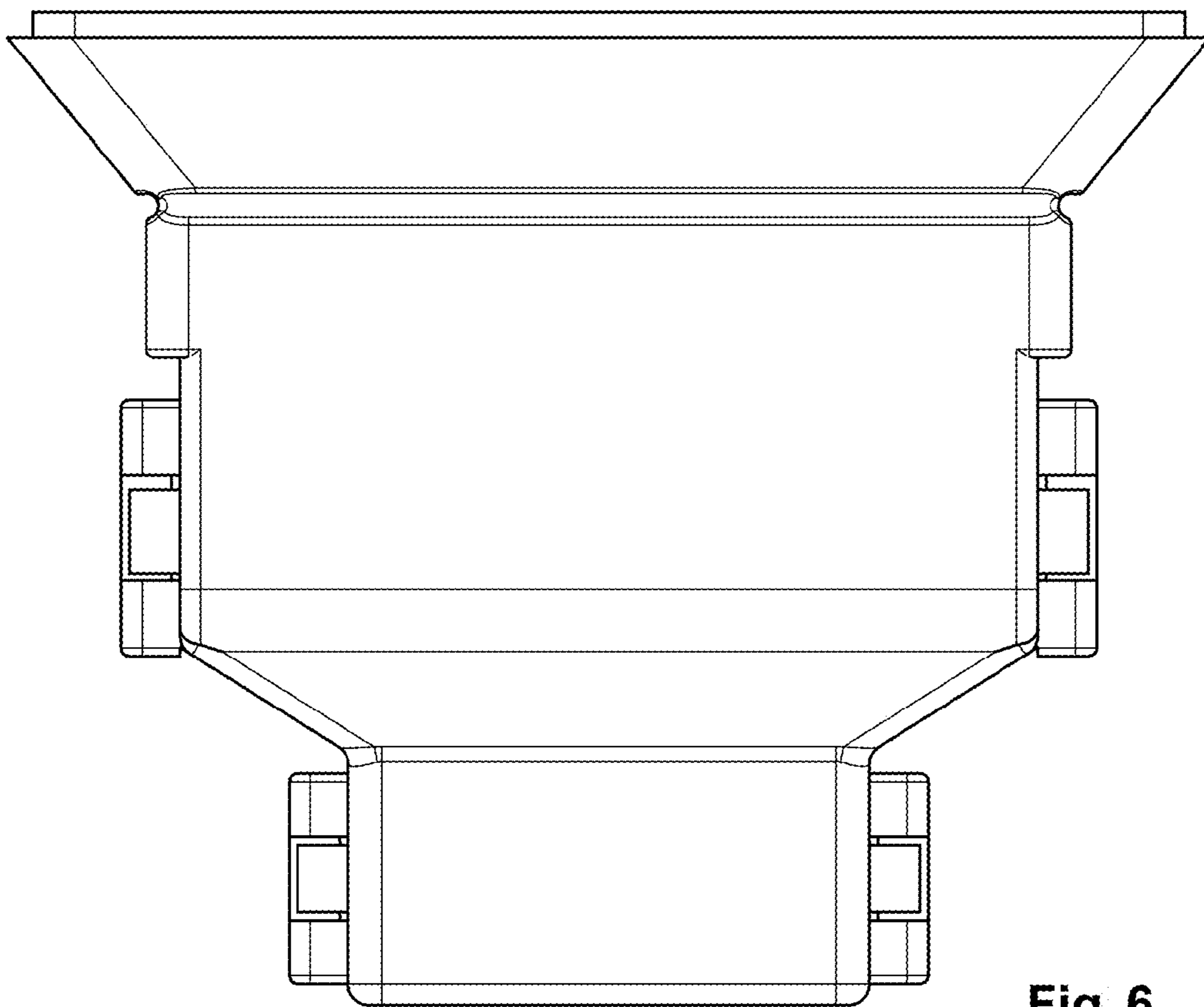


Fig. 6

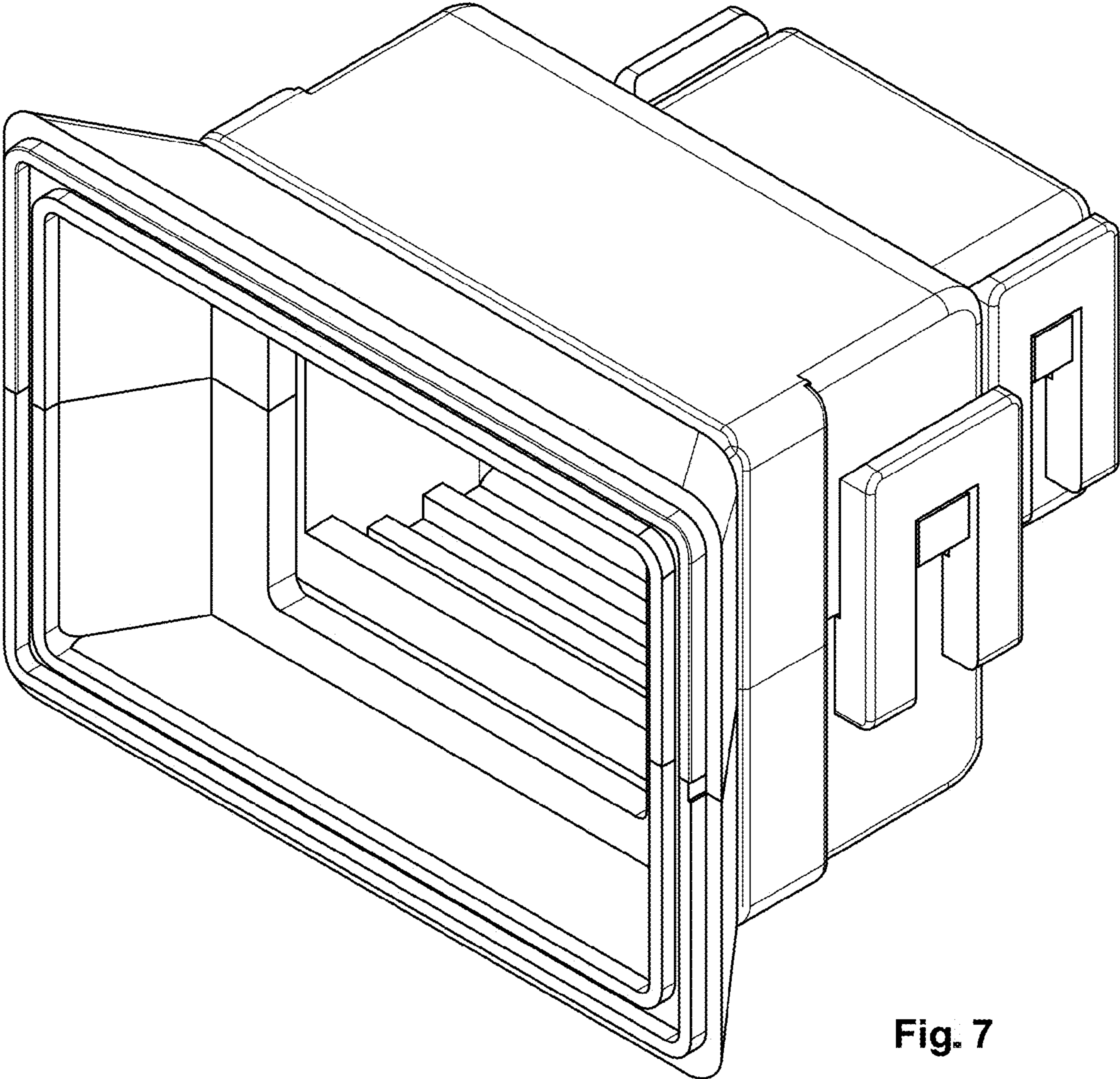


Fig. 7