



US00D976830S

(12) **United States Design Patent**
Chen

(10) **Patent No.:** **US D976,830 S**
(45) **Date of Patent:** **** Jan. 31, 2023**

(54) **MOBILE OUTDOOR POWER SUPPLY**

(71) Applicant: **Dianqiong Chen**, Shenzhen (CN)

(72) Inventor: **Dianqiong Chen**, Shenzhen (CN)

(**) Term: **15 Years**

(21) Appl. No.: **29/845,518**

(22) Filed: **Jul. 8, 2022**

(51) **LOC (14) Cl.** **13-02**

(52) **U.S. Cl.**
USPC **D13/110**

(58) **Field of Classification Search**
USPC D13/102, 103, 106-108, 110, 118-119,
D13/184, 199, 112, 114, 116
CPC H02J 7/0042; H02J 7/0044; H02J 7/0045;
H02J 7/0047; H02J 7/0003; H02J
7/00047; H02J 7/0013; H02J 7/0027;
H02J 1/122; H02J 7/00; B60R 16/033;
H01M 10/44; H01M 10/46

See application file for complete search history.

(56) **References Cited**

U.S. PATENT DOCUMENTS

D585,822 S *	2/2009	Hsu	D13/107
D815,039 S *	4/2018	Wen	D13/110
D874,397 S *	2/2020	Sun	D13/107
D874,398 S *	2/2020	Sun	D13/107
D883,206 S *	5/2020	Bai	D13/110
D887,357 S *	6/2020	Liao	D13/110
D897,284 S *	9/2020	Sun	D13/103
D902,857 S *	11/2020	Jia	D13/110
D911,935 S *	3/2021	Alexander	D13/107
D911,953 S *	3/2021	Yin	D13/103
D930,585 S *	9/2021	Yu	D13/110
D931,800 S	9/2021	Fang	
D932,433 S *	10/2021	Tang	D13/110
D936,007 S *	11/2021	Huang	D13/110
D938,354 S *	12/2021	Sun	D13/110
D938,355 S *	12/2021	Xiong	D13/110

D942,391 S *	2/2022	Yin	D13/110
D944,732 S *	3/2022	Sun	D13/110
D948,431 S *	4/2022	Ye	D13/110
D948,434 S *	4/2022	Chen	D13/110
D950,490 S *	5/2022	Yu	D13/110
D953,256 S *	5/2022	Lou	D13/107
D957,322 S *	7/2022	Liu	D13/103
D959,365 S *	8/2022	Sun	D13/103
D960,096 S *	8/2022	Li	D13/110

OTHER PUBLICATIONS

“EF Ecoflow River Pro Portable Power Station 720Wh, Power Multiple Devices, Recharge 0-80% Within 1 Hour, for Camping, RV, Outdoors, Off-Grid”, Amazon.com, first available on Jan. 14, 2021. <<https://www.amazon.com/EF-ECOFLOW-Portable-Multiple-Recharge/dp/B08T1KY8SG/>>. (Year: 2021).*

* cited by examiner

Primary Examiner — Rosemary K Tarcza
(74) *Attorney, Agent, or Firm* — Che-Yang Chen; Law Office of Michael Chen

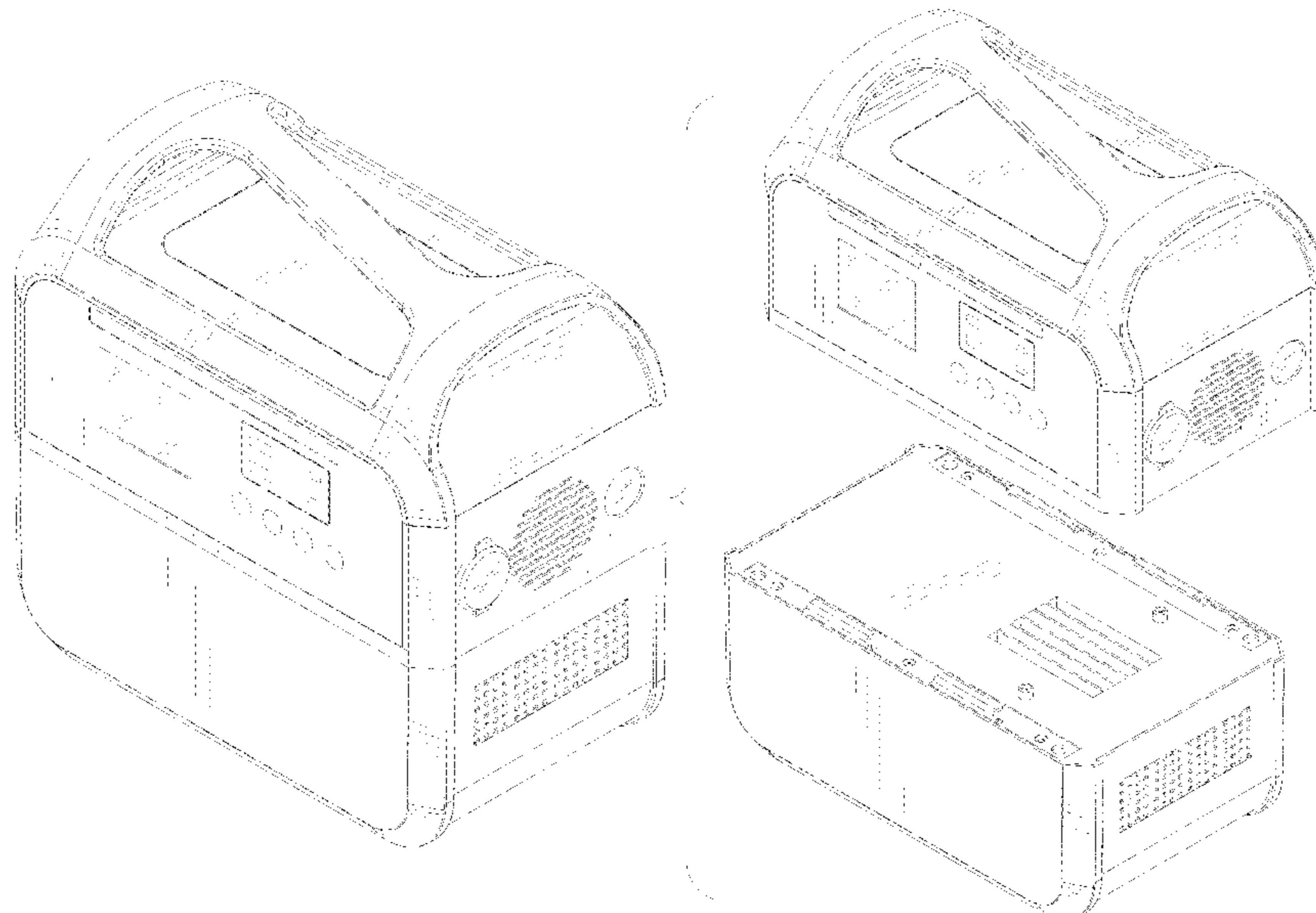
(57) **CLAIM**

The ornamental design for a mobile outdoor power supply, as shown and described.

DESCRIPTION

FIG. 1 is a perspective view of the mobile outdoor power supply showing my new design;
FIG. 2 is a perspective view thereof from another angle;
FIG. 3 is a front elevational view thereof;
FIG. 4 is a rear elevational view thereof;
FIG. 5 is a left side elevational view thereof;
FIG. 6 is a right side elevational view thereof;
FIG. 7 is a top plan view thereof;
FIG. 8 is a bottom plan view thereof; and,
FIG. 9 is an exploded view thereof.

1 Claim, 9 Drawing Sheets



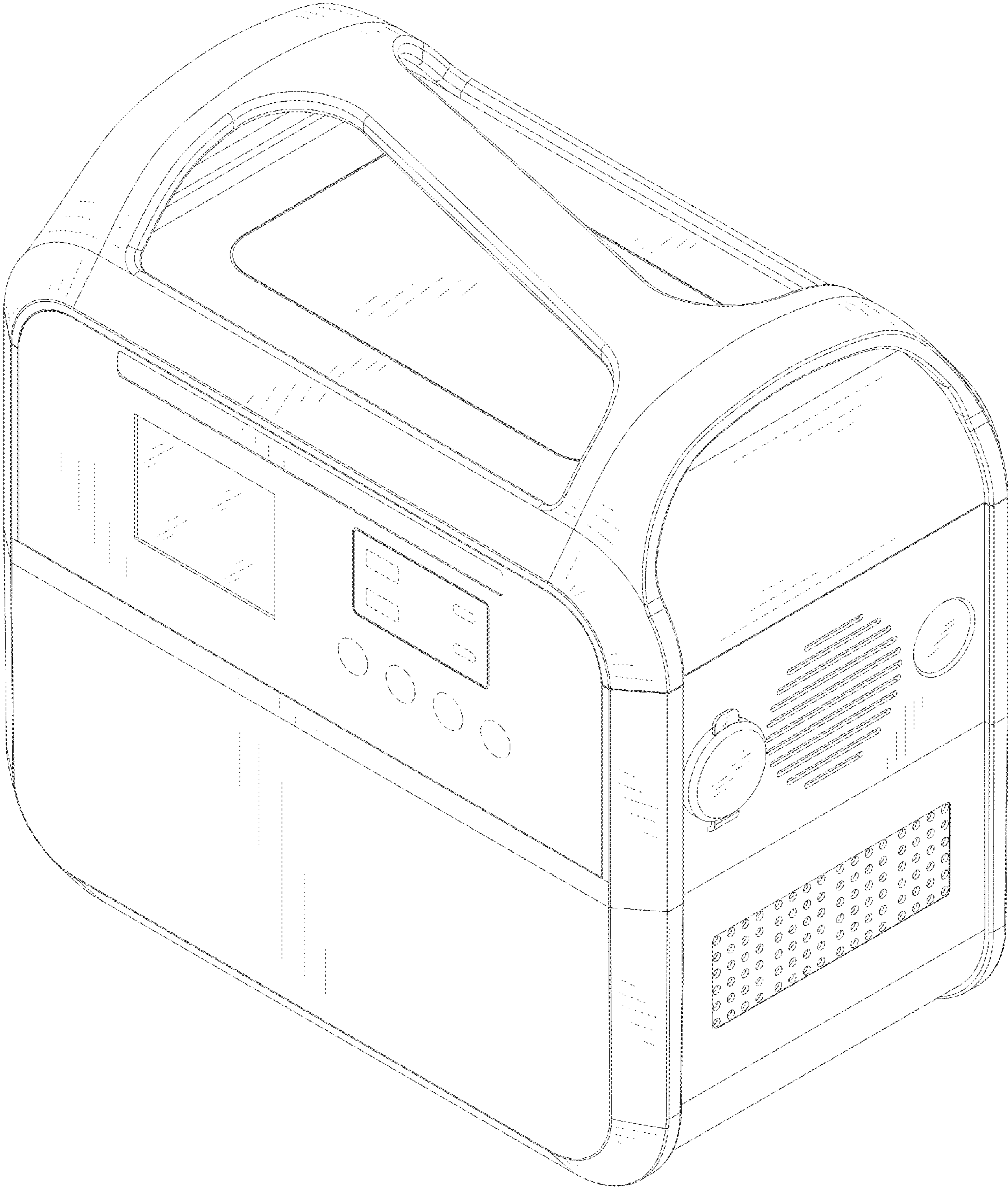


FIG.1

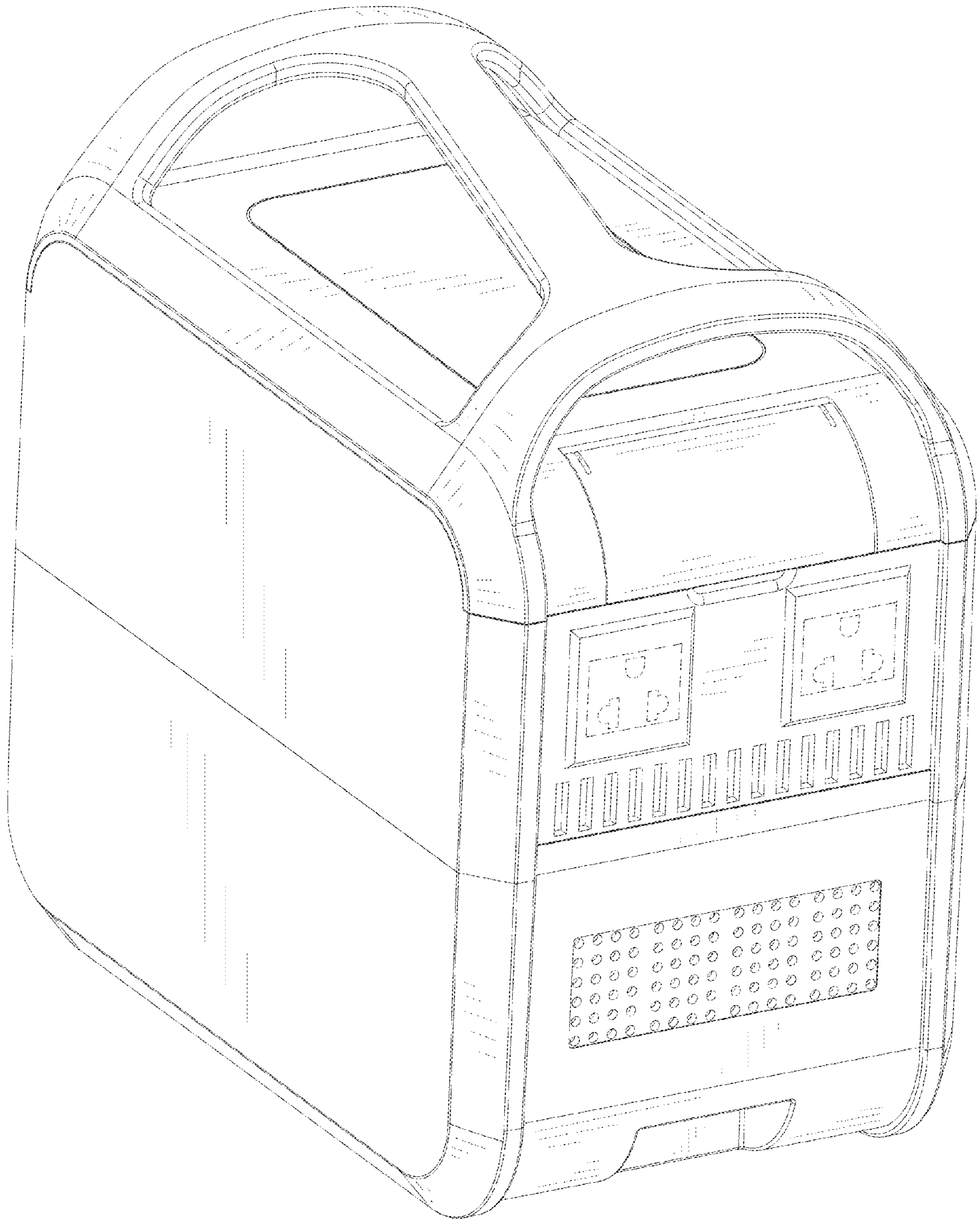


FIG. 2

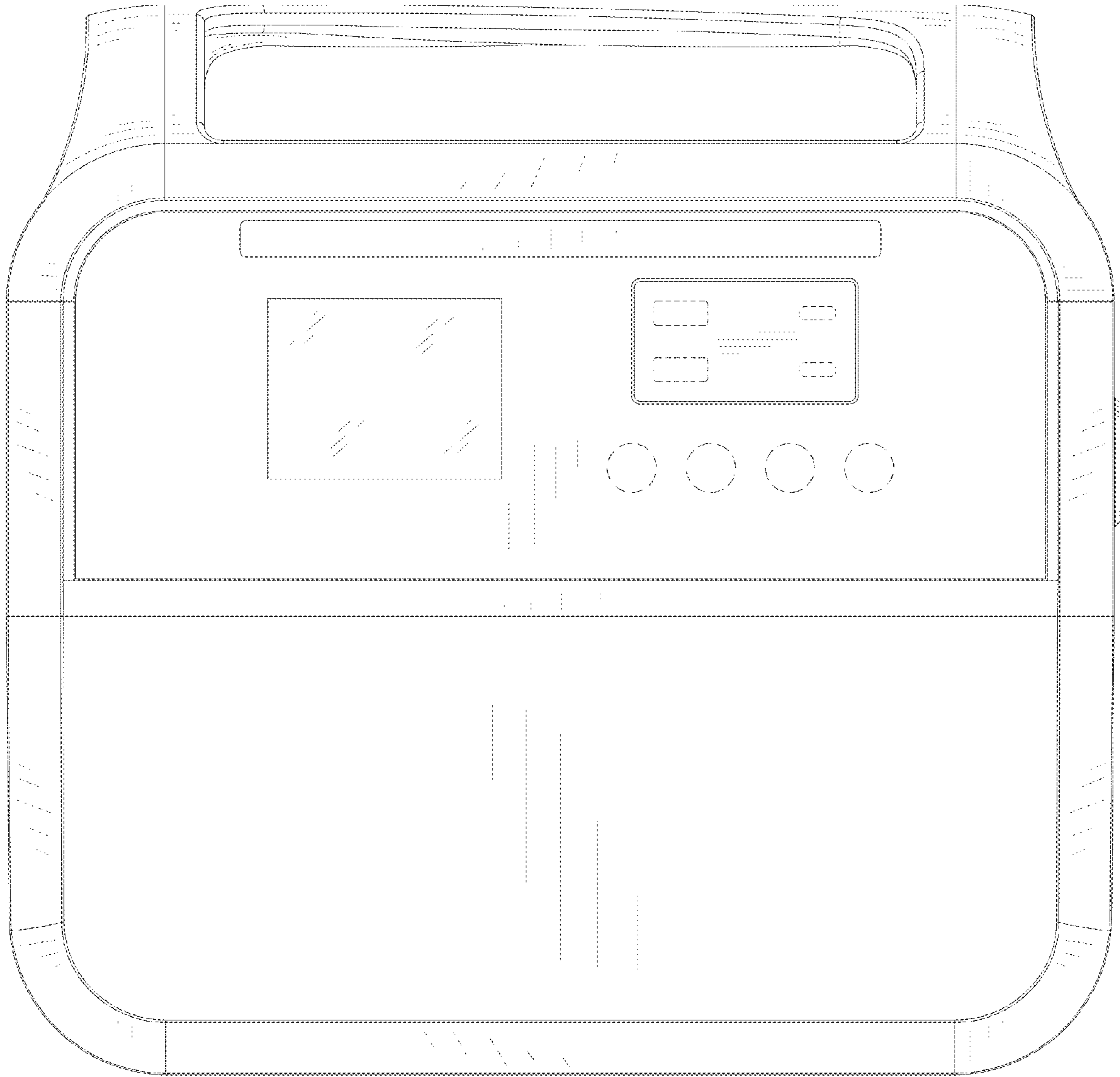


FIG. 3



FIG. 4

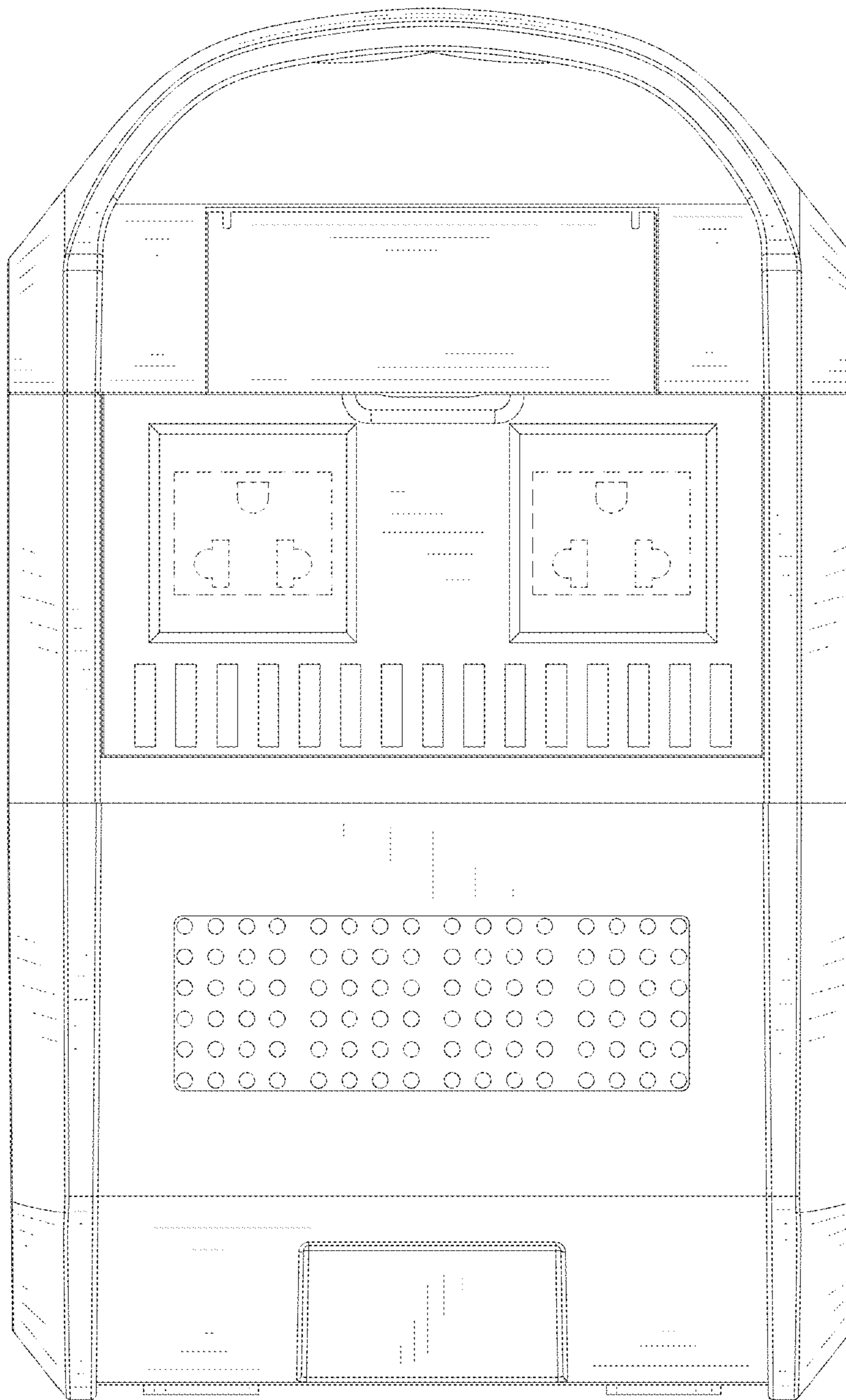


FIG. 5

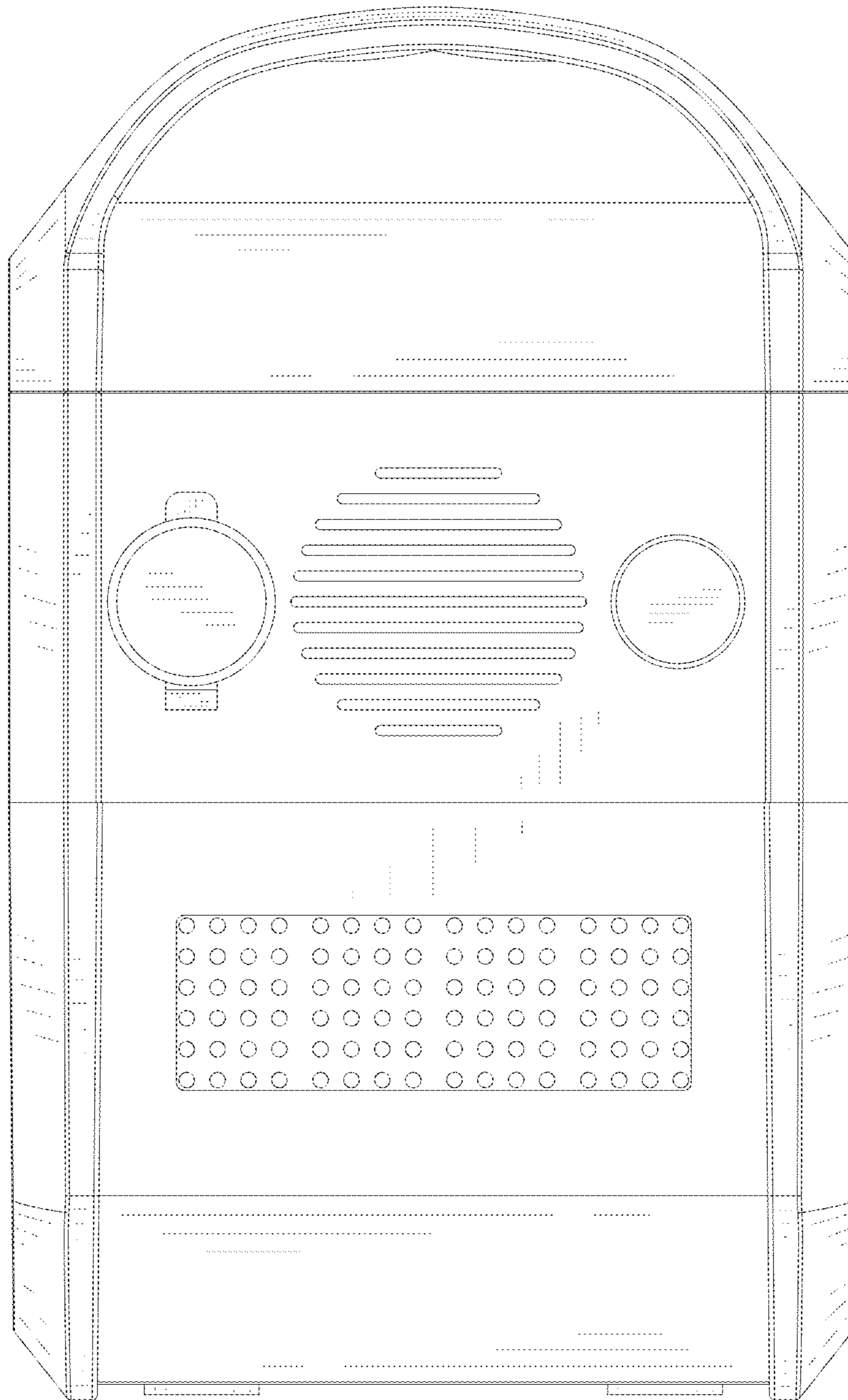


FIG. 6

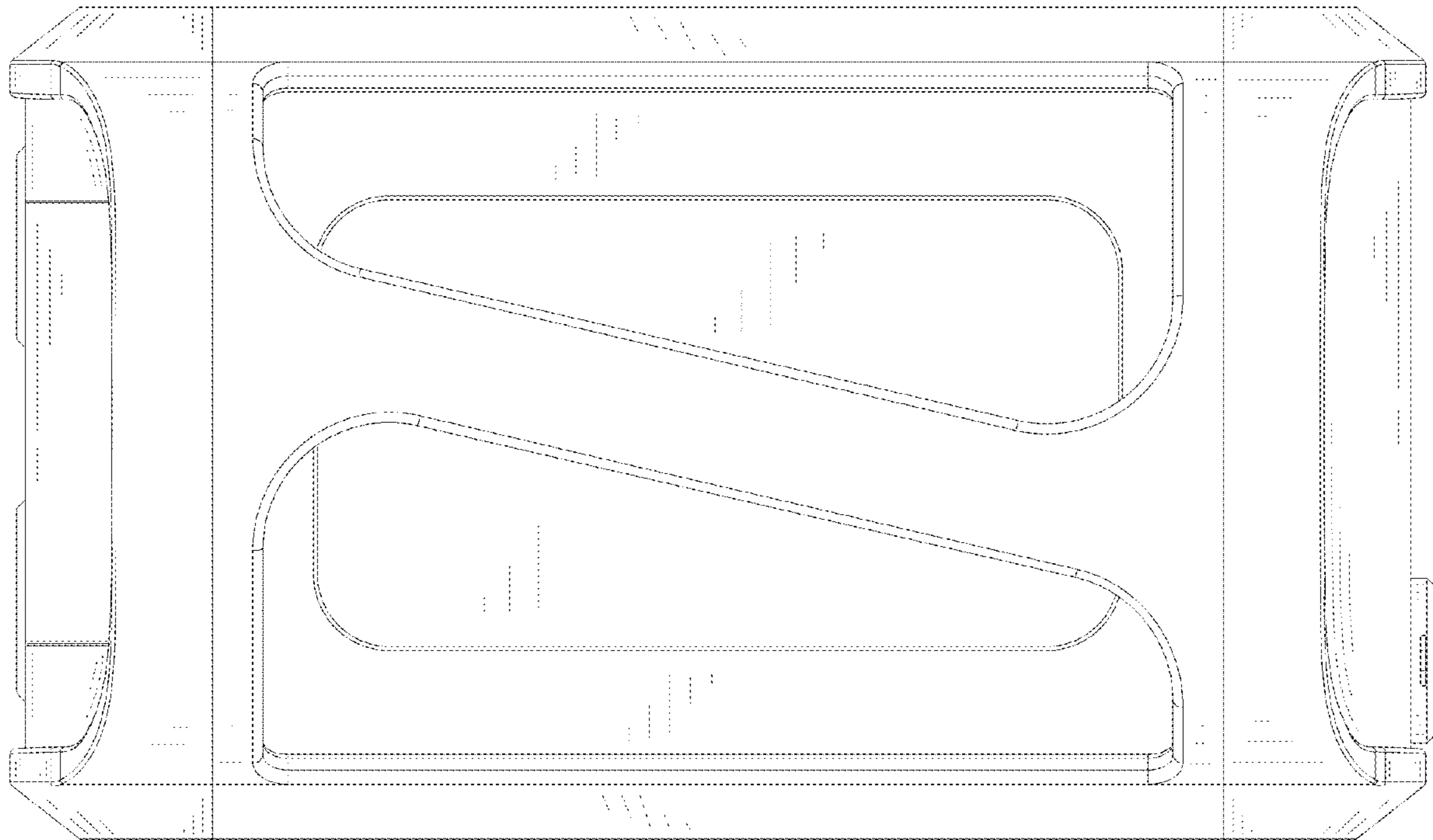


FIG. 7

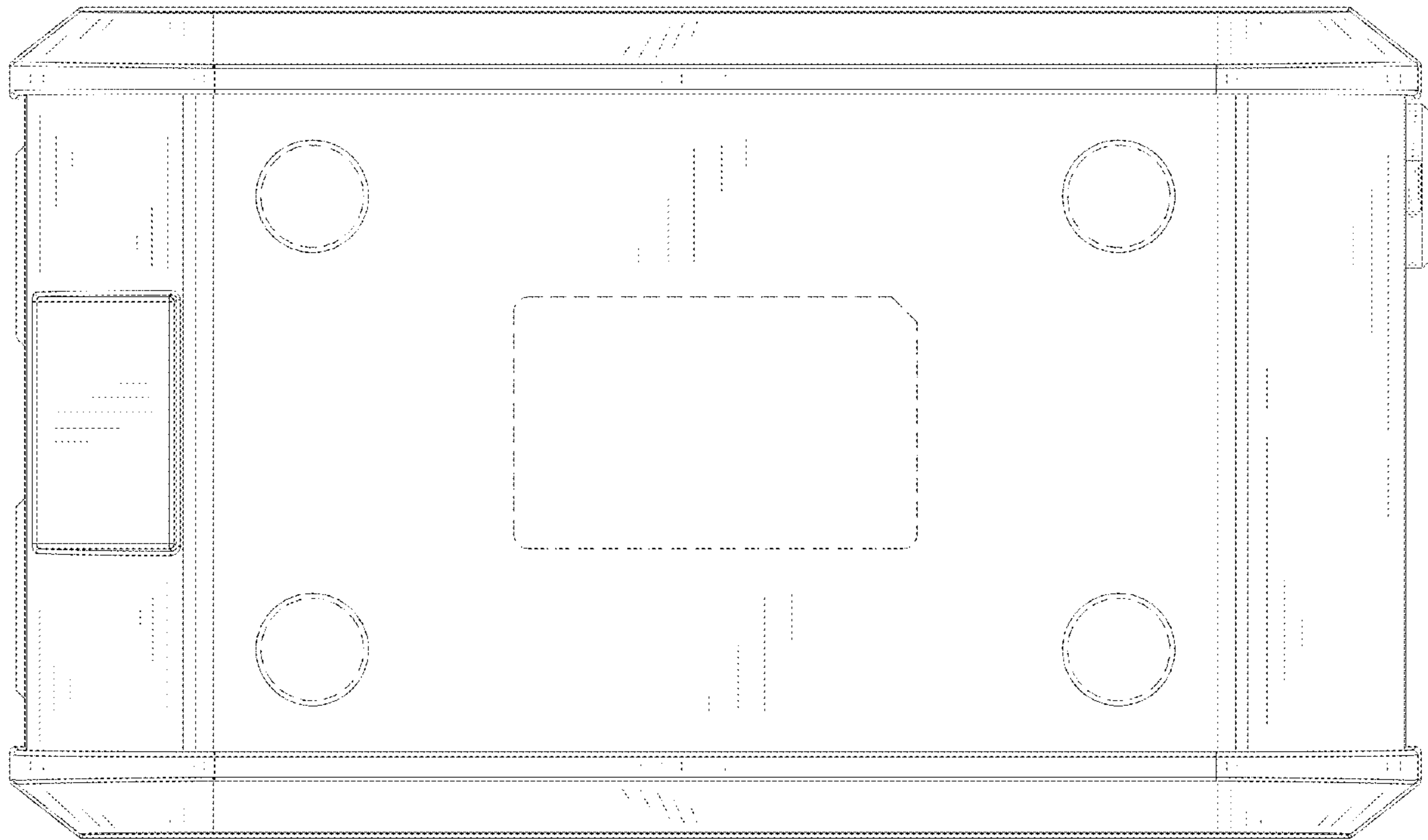


FIG. 8

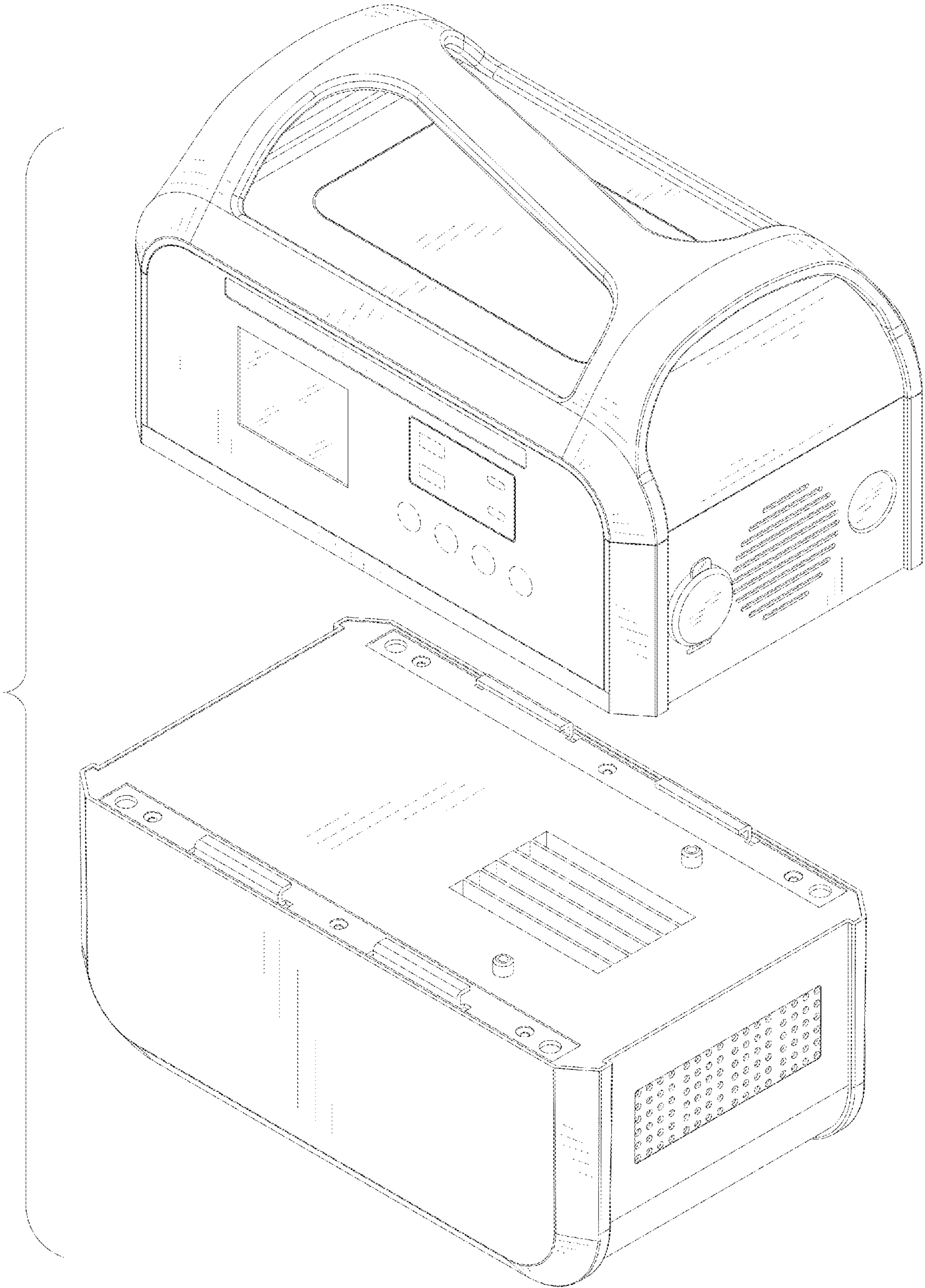


FIG. 9