



US00D976828S

(12) **United States Design Patent**  
**Sun**

(10) **Patent No.:** **US D976,828 S**

(45) **Date of Patent:** **\*\* Jan. 31, 2023**

(54) **WIRELESS CHARGER**

(71) Applicant: **SHENZHEN XINZHAOYI TECHNOLOGY CO., LTD.**, Shenzhen (CN)

(72) Inventor: **Zhaoqiang Sun**, Shifang (CN)

(73) Assignee: **SHENZHEN XINZHAOYI TECHNOLOGY CO., LTD.**, Shenzhen (CN)

(\*\*) Term: **15 Years**

(21) Appl. No.: **29/859,637**

(22) Filed: **Nov. 11, 2022**

(51) **LOC (14) Cl.** ..... **13-02**

(52) **U.S. Cl.**  
USPC ..... **D13/108**

(58) **Field of Classification Search**  
USPC ..... D13/102–108, 110, 118, 119, 184, 199;  
D14/251, 253, 432, 434  
CPC ..... H02J 7/0021; H02J 7/0026; H02J 7/0044;  
H02J 7/0045; H02J 7/0054; H02J 7/02;  
H02J 7/0027; H02J 50/80; H01M 10/44;  
H01M 10/46; H01M 10/0413; H01M  
10/0445; H01M 10/0436; H01M 10/05;  
H01M 10/052; H01M 50/103; H01M  
50/20; H01M 50/204; H01M 50/209;  
H01M 50/258; H01M 8/24; H01M  
8/2404; H01M 8/249; H05K 5/00; H05K  
5/0018; H02G 3/10; B60L 53/00; B60L  
53/10; B60L 53/12; B60L 53/14; B60L  
53/16; B60L 53/18; B60L 53/31; B60L  
53/50

See application file for complete search history.

(56) **References Cited**

U.S. PATENT DOCUMENTS

D892,046 S *	8/2020	Peng	.....	D13/108
D911,277 S *	2/2021	Shang	.....	D13/108
D915,277 S *	4/2021	Peng	.....	D13/108
D926,683 S *	8/2021	Liao	.....	D14/252
D931,208 S *	9/2021	Liao	.....	D14/252
D934,794 S *	11/2021	Brisebras	.....	D13/108
D936,579 S	11/2021	Wang et al.		
D955,332 S *	6/2022	Wang	.....	D13/108
D962,861 S	9/2022	Wang et al.		
D969,737 S *	11/2022	Huang	.....	D13/108
D971,838 S *	12/2022	Zhou	.....	D13/108

\* cited by examiner

*Primary Examiner* — Christy Nemeth

(74) *Attorney, Agent, or Firm* — Daniel M. Cohn;  
Howard M. Cohn

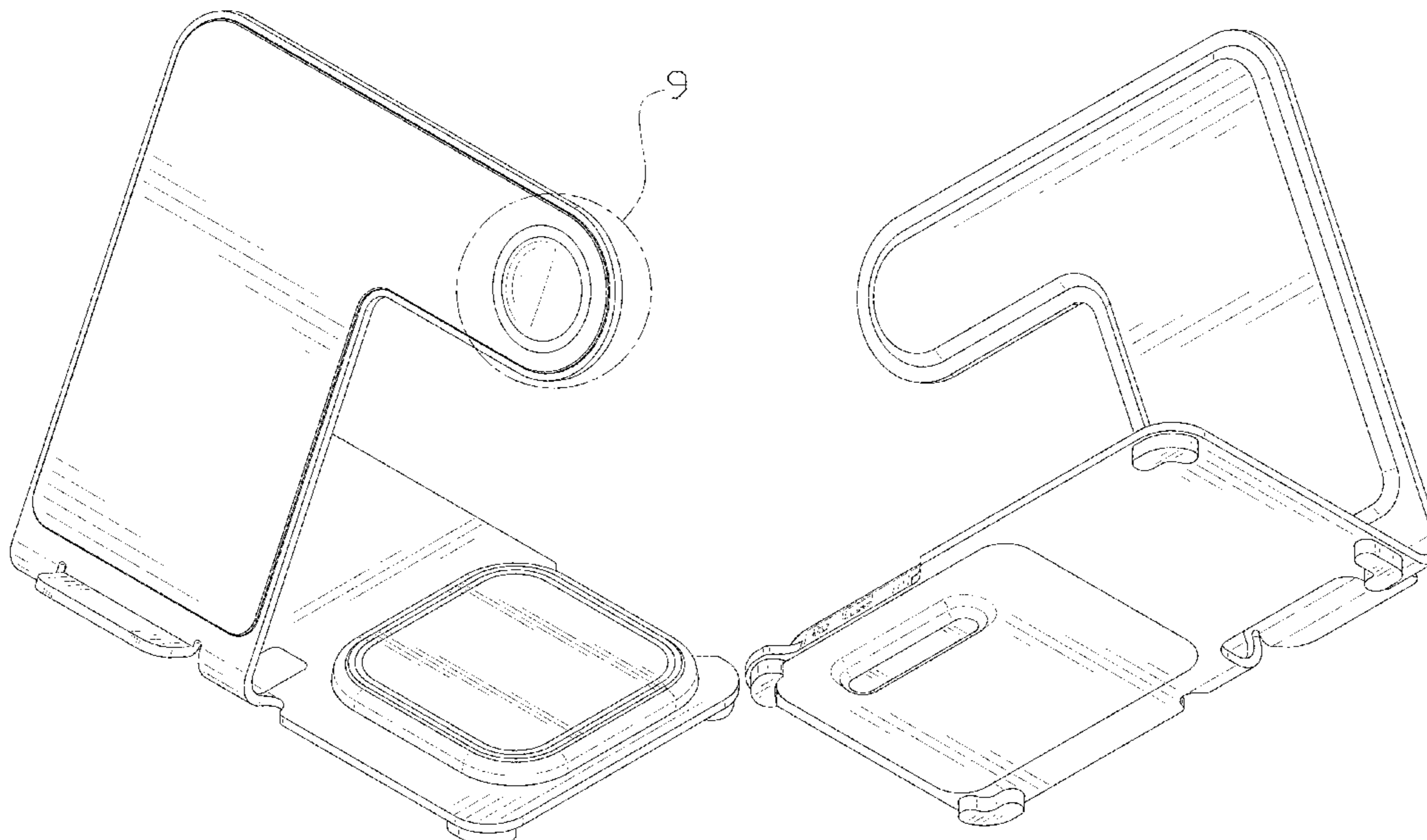
(57) **CLAIM**

The ornamental design for a wireless charger, as shown and described.

**DESCRIPTION**

FIG. 1 is a perspective view of a wireless charger showing my new design;  
FIG. 2 is another perspective view thereof;  
FIG. 3 is a front elevational view thereof;  
FIG. 4 is a rear elevational view thereof;  
FIG. 5 is a left side elevational view thereof;  
FIG. 6 is a right side elevational view thereof;  
FIG. 7 is a top plan view thereof;  
FIG. 8 is a bottom plan view thereof; and,  
FIG. 9 is an enlarged view of portion 9 shown in FIG. 1.  
The dash-dash broken lines in the drawings depict portions of the wireless charger that form no part of the claimed design. The dot-dash broken lines represent boundaries of the enlarged portion and form no part of the claimed design.

**1 Claim, 9 Drawing Sheets**



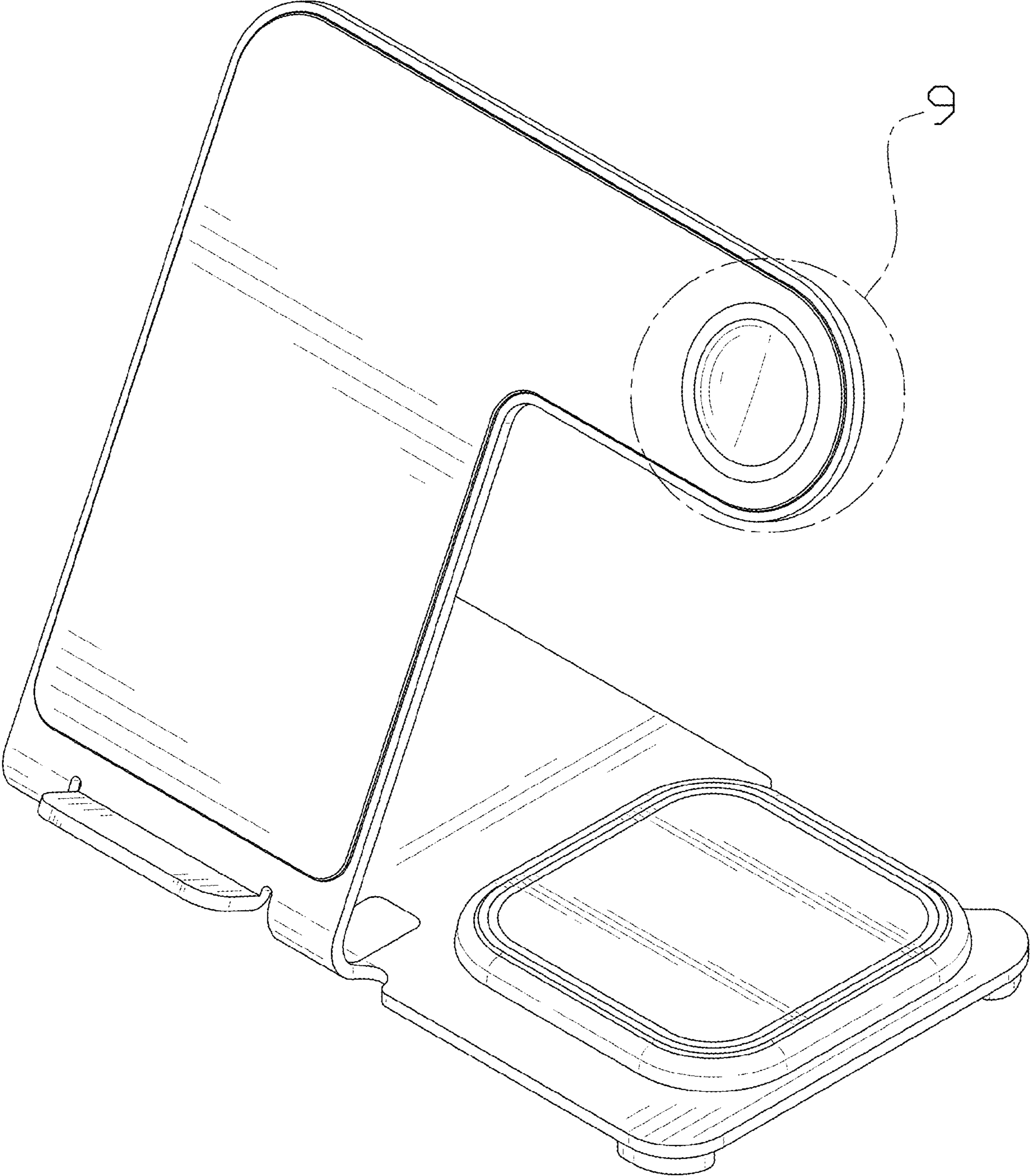


FIG. 1

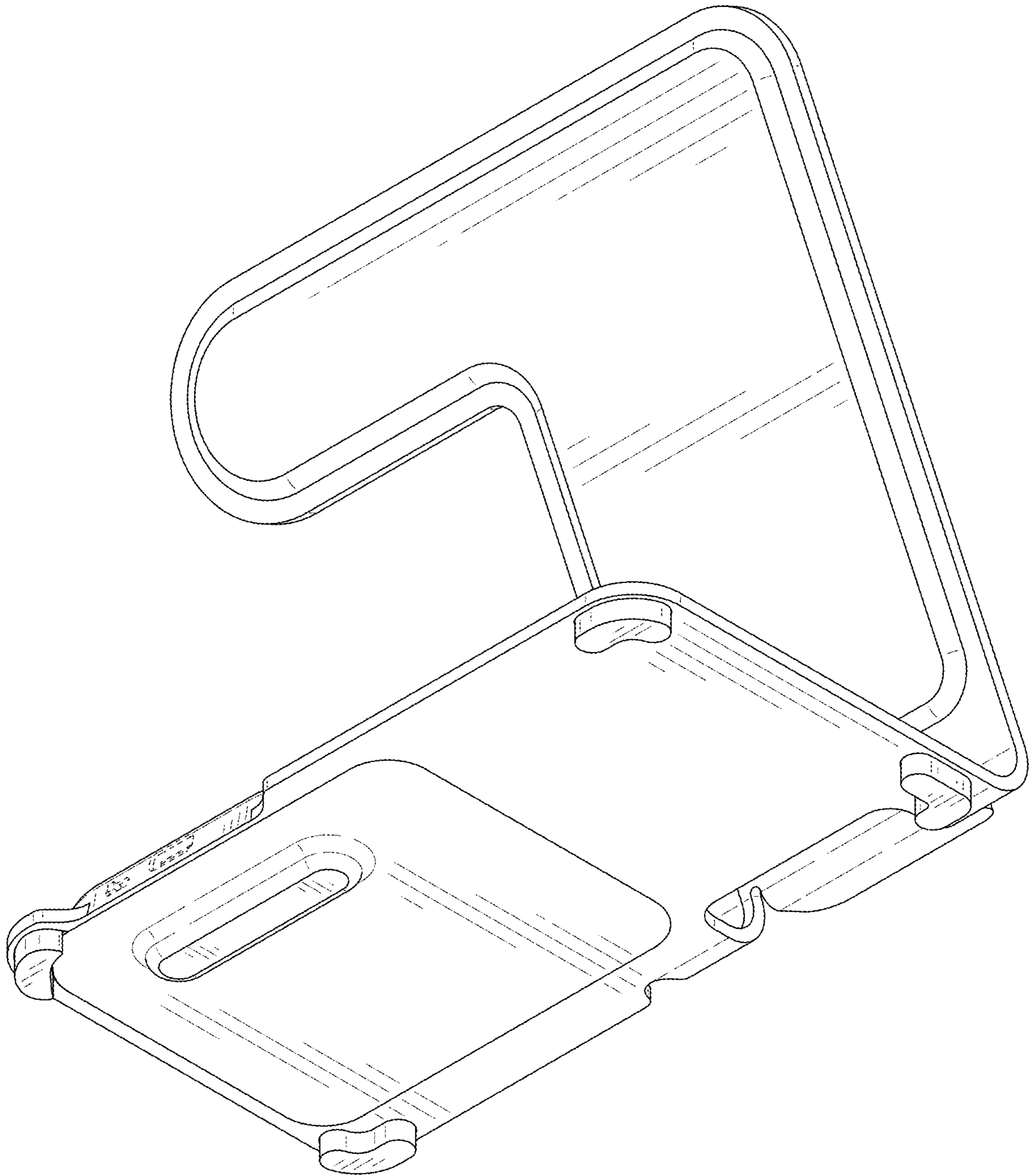


FIG. 2



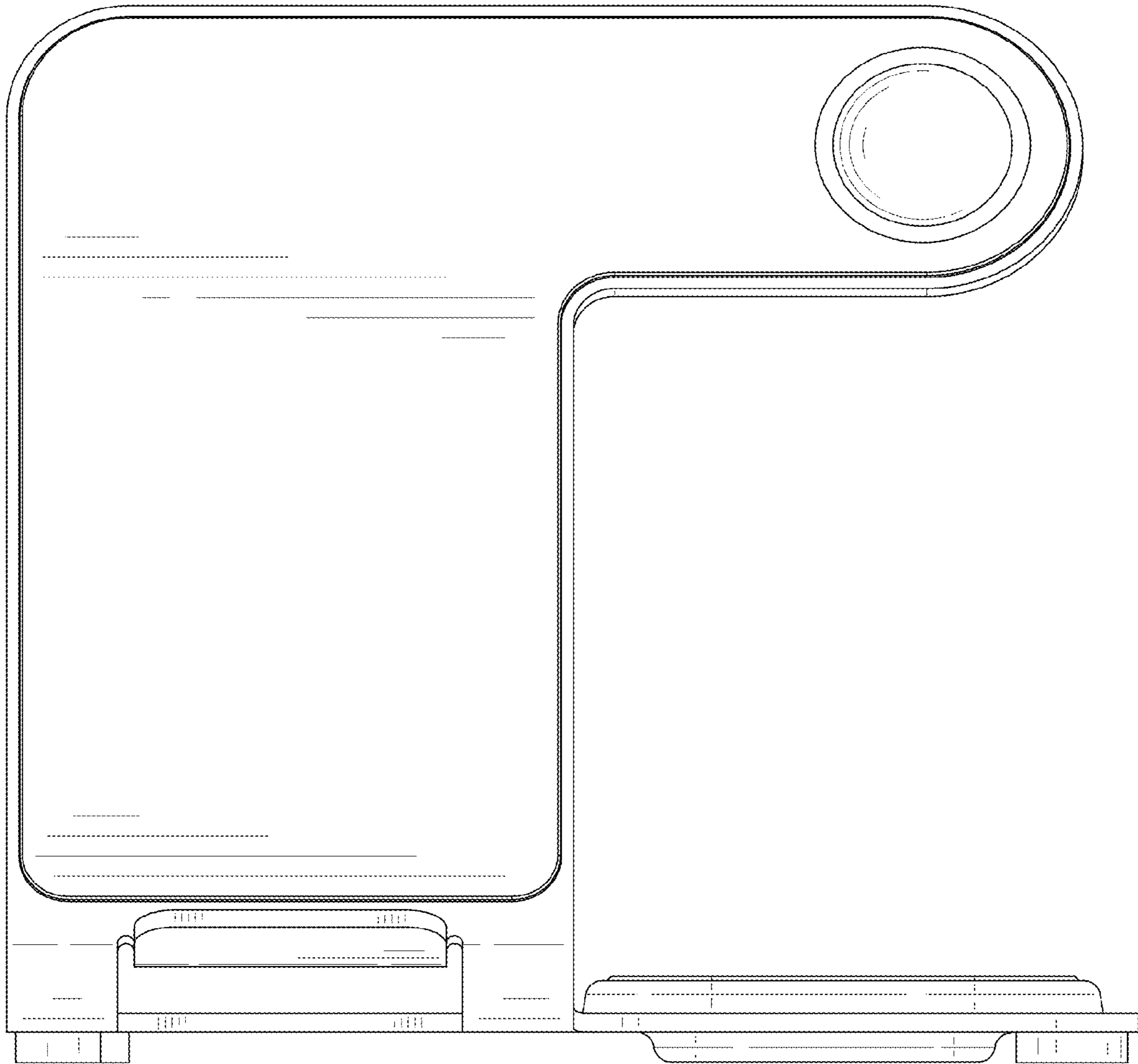


FIG. 3

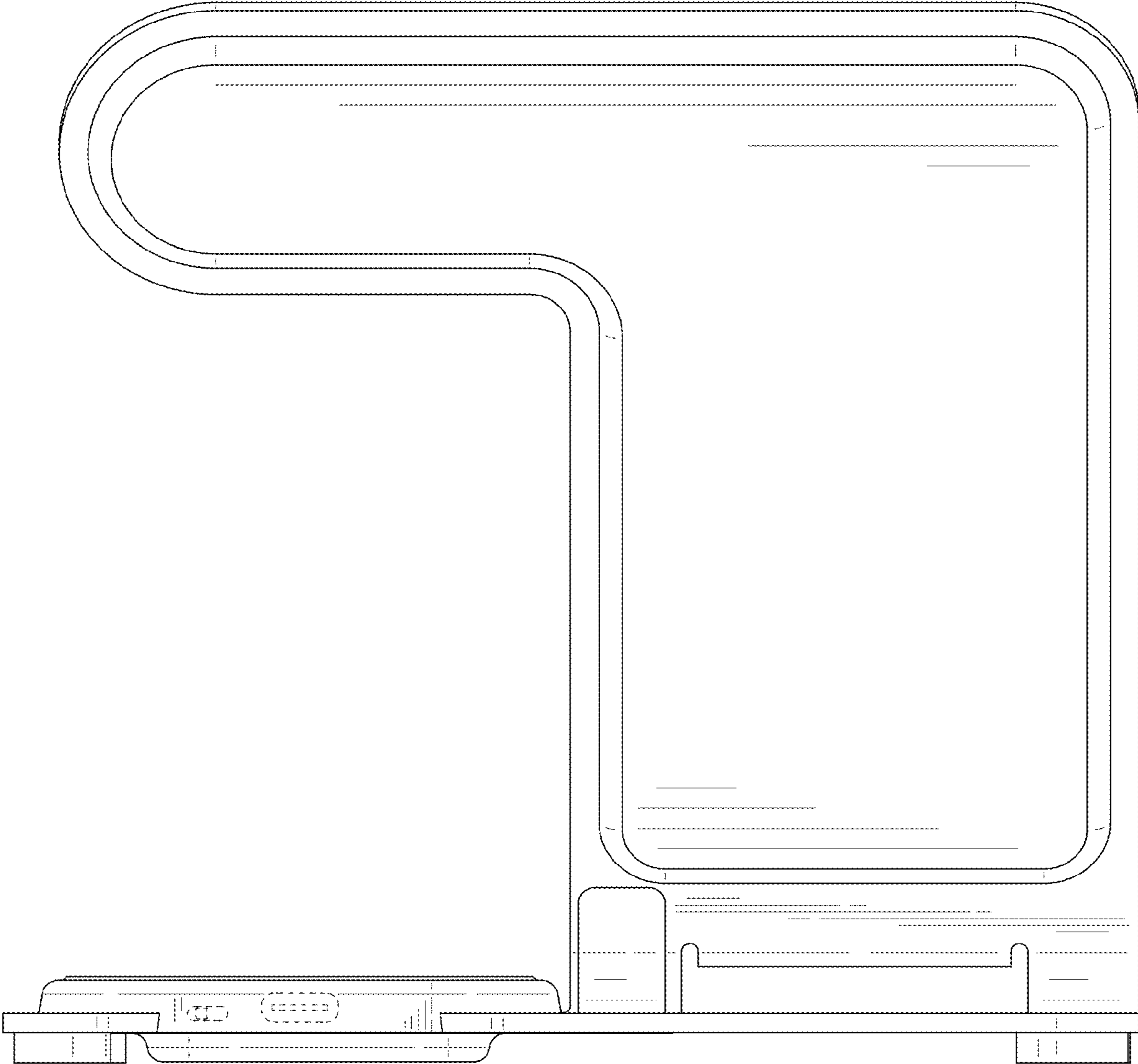


FIG. 4

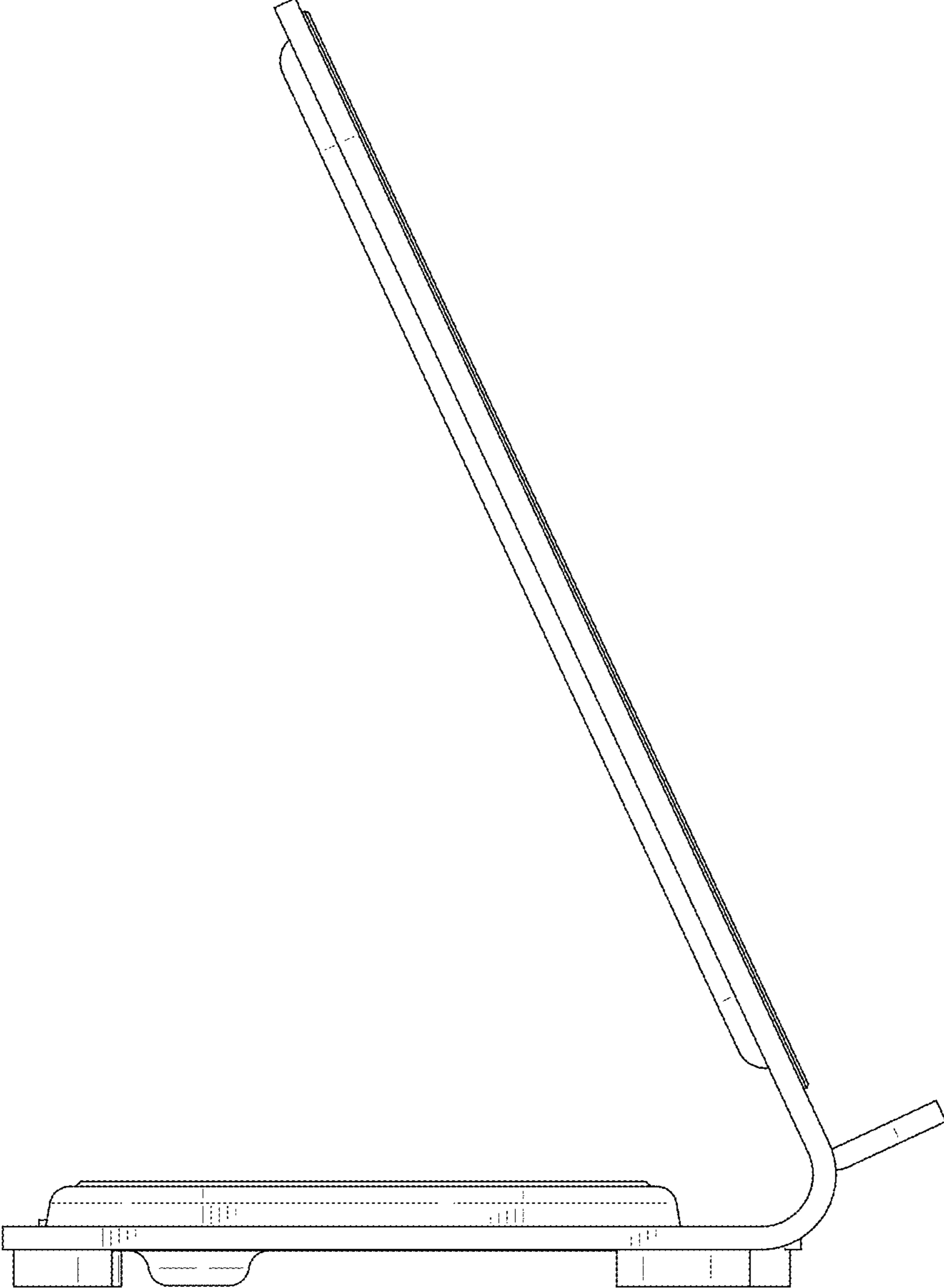


FIG. 5

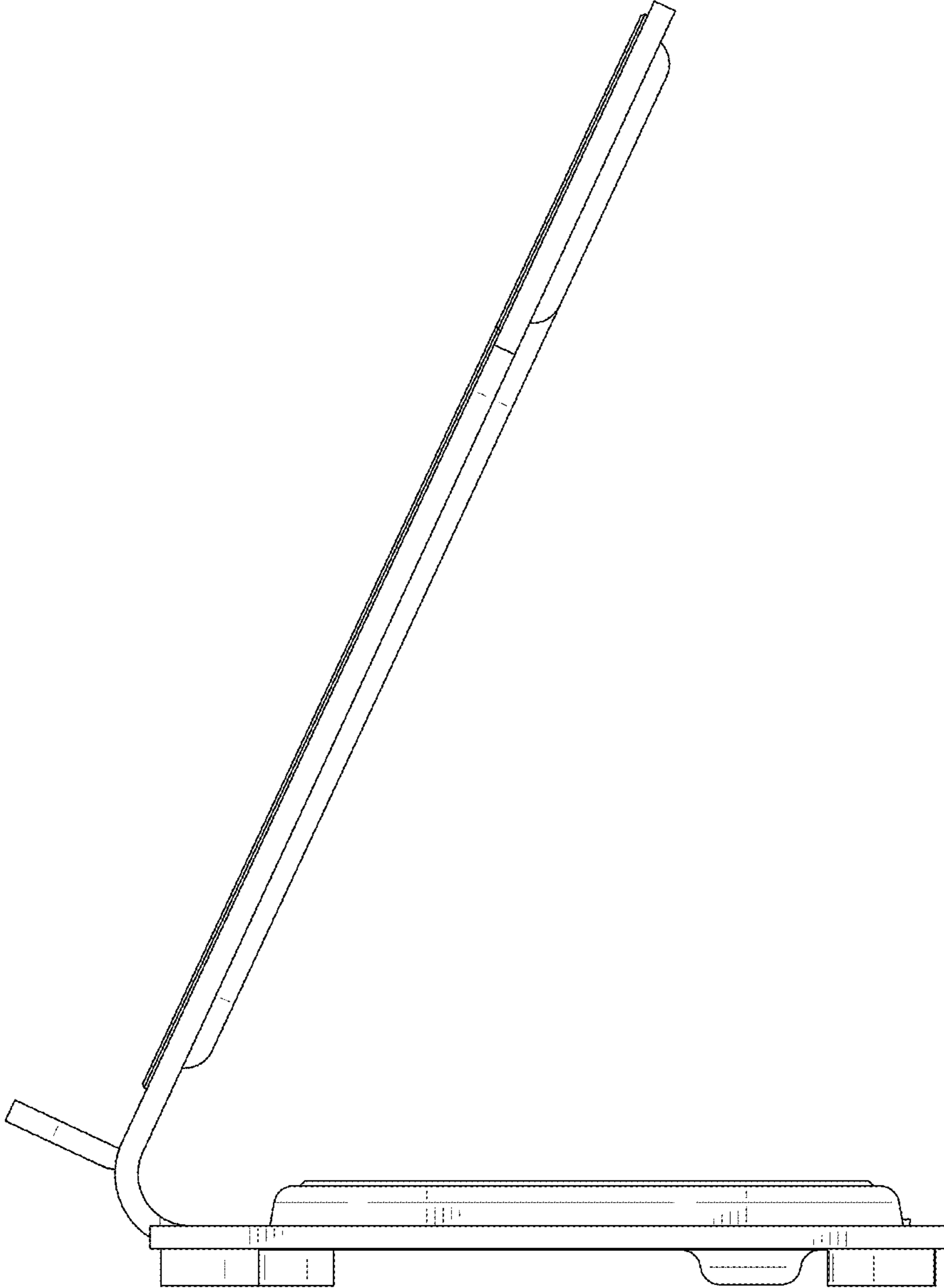


FIG. 6

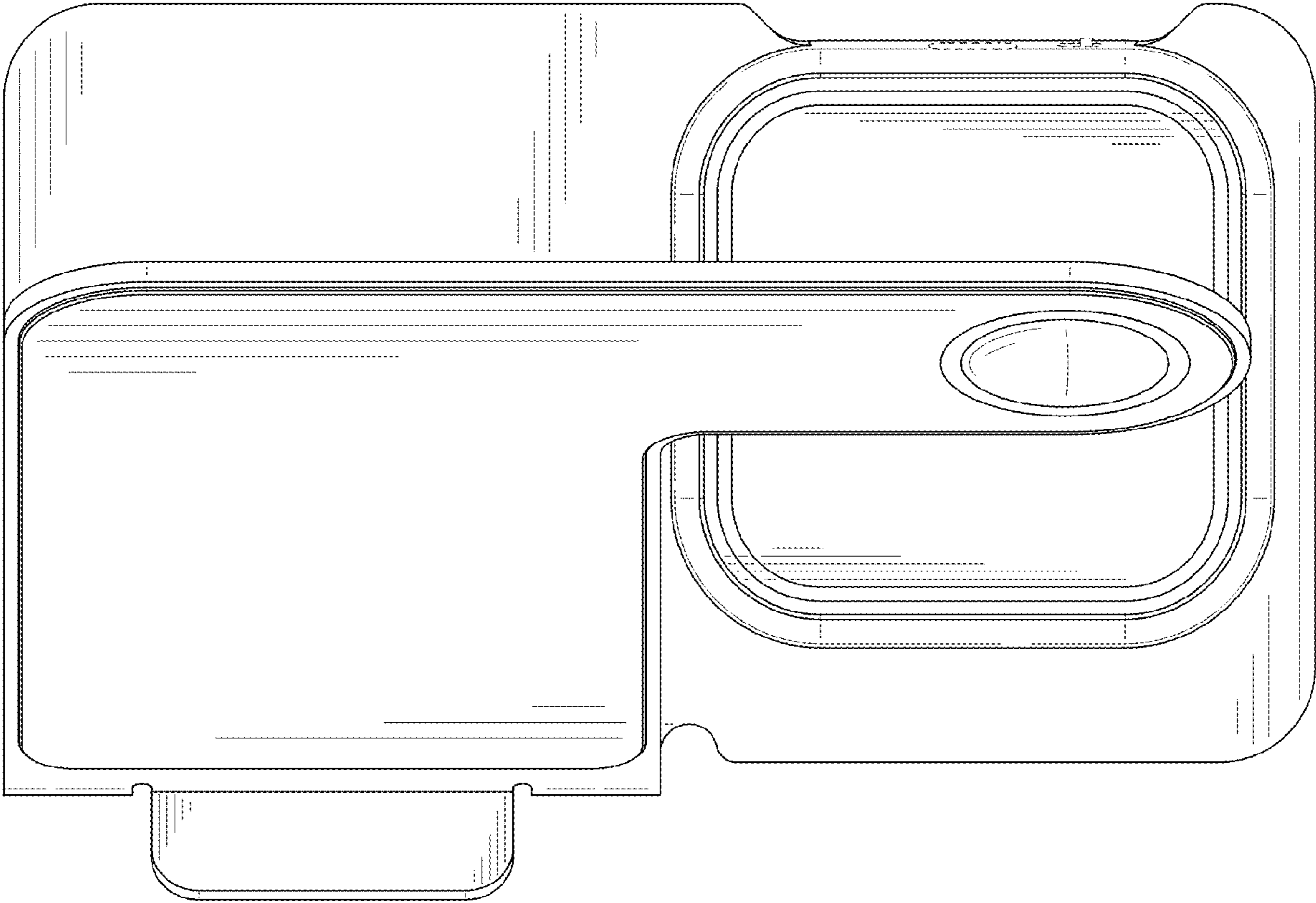


FIG. 7



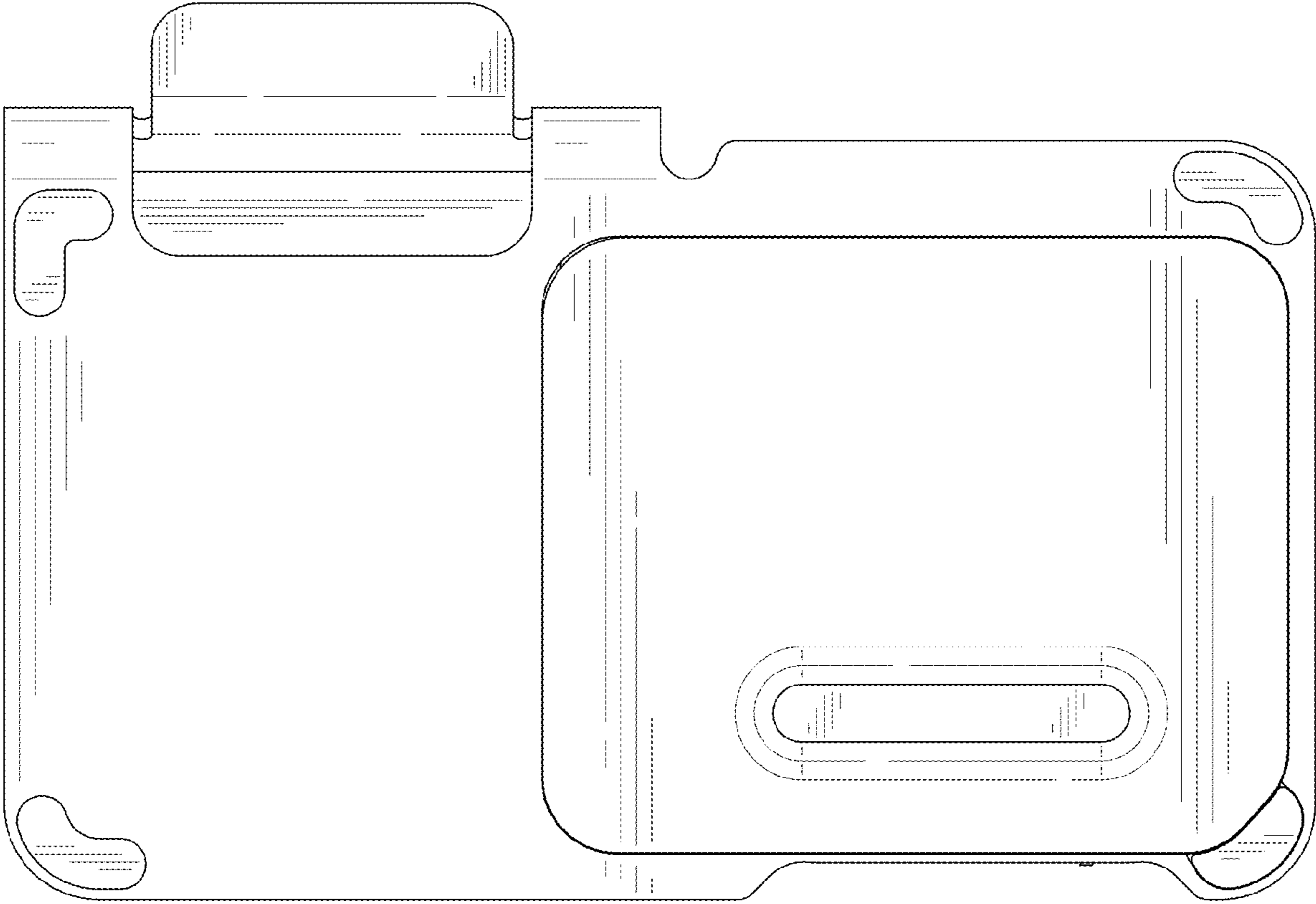


FIG. 8

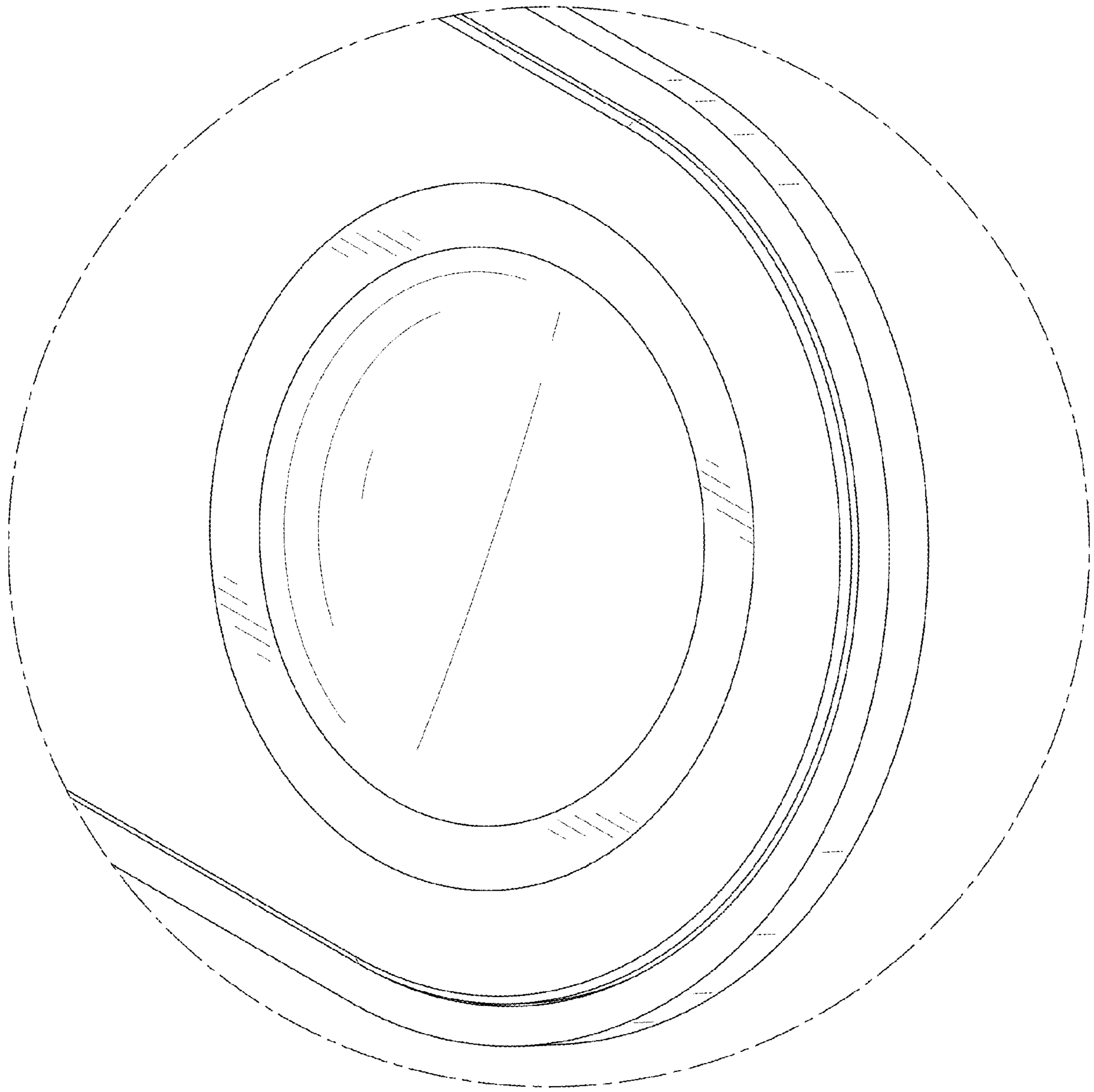


FIG. 9