



US00D976826S

(12) **United States Design Patent**  
**Hua**

(10) **Patent No.:** **US D976,826 S**  
(45) **Date of Patent:** **\*\* Jan. 31, 2023**

(54) **CHARGER FOR ROBOTIC VACUUM  
CLEANER**

(71) Applicant: **Guangyu Hua**, Shenzhen (CN)

(72) Inventor: **Guangyu Hua**, Shenzhen (CN)

(\*\*) Term: **15 Years**

(21) Appl. No.: **29/833,082**

(22) Filed: **Mar. 31, 2022**

(30) **Foreign Application Priority Data**

Mar. 24, 2022 (EM) ..... 008916134-0001  
Mar. 24, 2022 (EM) ..... 008916134-0002  
Mar. 24, 2022 (EM) ..... 008916134-0003

(51) **LOC (14) Cl.** ..... **13-02**

(52) **U.S. Cl.**  
USPC ..... **D13/108; D32/31**

(58) **Field of Classification Search**  
USPC ..... D13/107-108, 110, 118-119, 184, 199;  
D14/251, 253, 432, 434, 447; D32/31  
CPC .. H02J 7/025; H02J 7/005; H02J 50/00; H02J  
50/10; H02J 50/12; H02J 50/80; H02J  
7/02; H02J 7/0026; H02J 7/0042; H02J  
7/0044; H02J 7/0045; H02J 7/0013; H02J  
7/0003; A47L 9/0009; A47L 2201/02;  
A47L 2201/022

See application file for complete search history.

(56) **References Cited**

**U.S. PATENT DOCUMENTS**

D639,735 S 6/2011 Lee et al.  
D691,553 S \* 10/2013 Deoksang ..... D13/108  
D698,310 S \* 1/2014 Yun ..... D13/108  
9,462,920 B1 \* 10/2016 Morin ..... A47L 9/2842  
D782,412 S 3/2017 Kim et al.  
D908,992 S \* 1/2021 Jang ..... D32/30  
D946,519 S \* 3/2022 Gao ..... D13/108

D948,822 S \* 4/2022 Kim ..... D32/31  
D961,177 S \* 8/2022 Jang ..... D32/31  
2012/0143428 A1 \* 6/2012 Kim ..... G05D 1/0242  
701/23  
2013/0199570 A1 \* 8/2013 Lee ..... A47L 9/009  
15/319  
2013/0335900 A1 \* 12/2013 Jang ..... A47L 9/2884  
361/679.01

(Continued)

**OTHER PUBLICATIONS**

“Yeedi vac Station Robot Vacuum and Mop, Self Emptying 3-in-1, 3000Pa Suction, 200Mins Runtime with Clean Schedule, Smart Mapping and Carpest Detection, Editable Map, Virtual Boundary”, Amazon.com, first available on Apr. 21, 2021. Retrieved from the internet: <<https://www.amazon.com/Station-Self-Emptying-Editable-Schedule-Boundary/dp/B092VCXDB1/>> (Year: 2021).\*

*Primary Examiner* — Rosemary K Tarcza

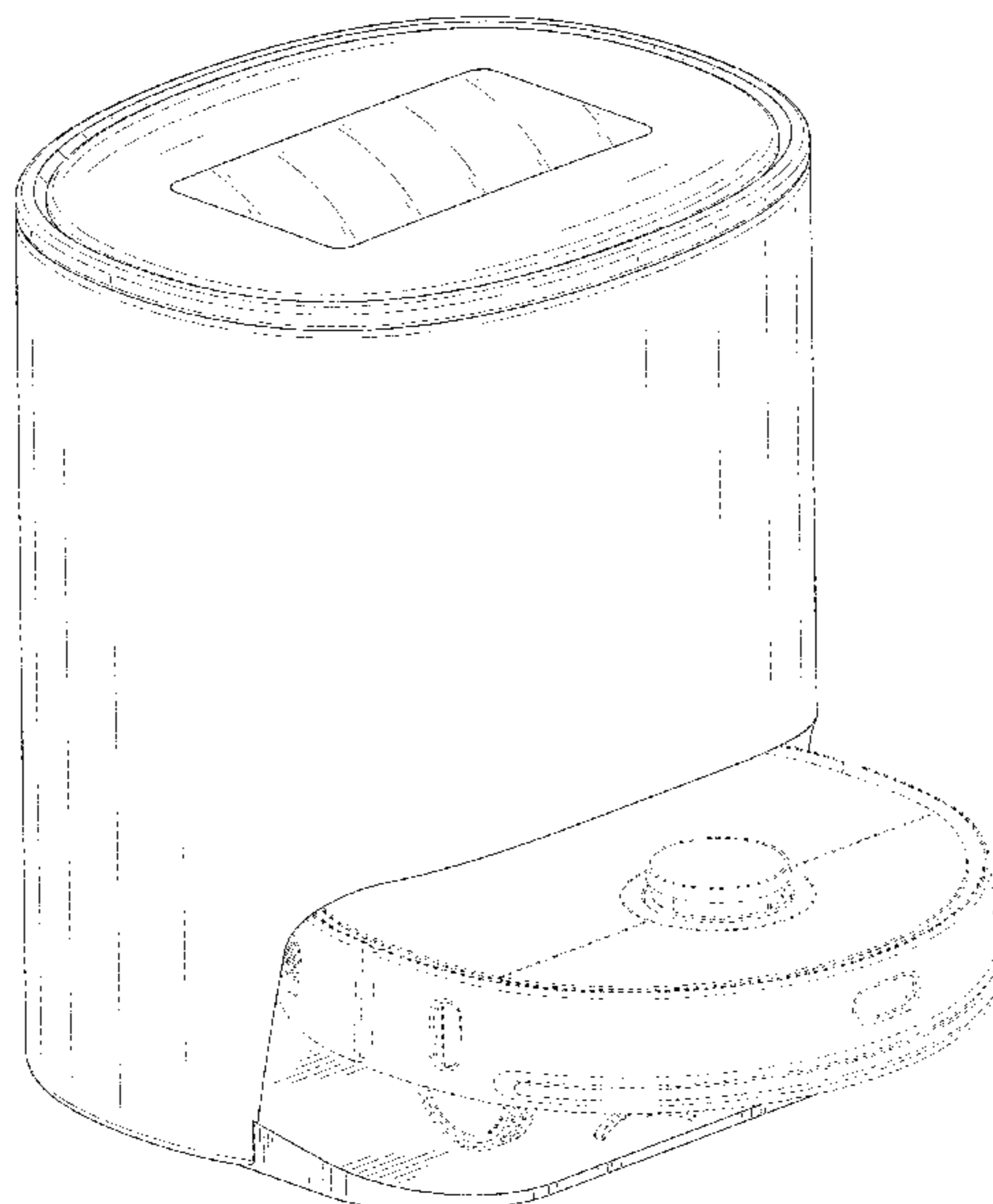
(57) **CLAIM**

The ornamental design for a charger for robotic vacuum cleaner, as shown and described.

**DESCRIPTION**

FIG. 1 is a front, left and top perspective view of a charger for robotic vacuum cleaner, showing a first embodiment my new design;  
FIG. 2 is a right, rear and bottom perspective view thereof;  
FIG. 3 is a front view thereof;  
FIG. 4 is a rear view thereof;  
FIG. 5 is a left side view thereof;  
FIG. 6 is a right side view thereof;  
FIG. 7 is a top plan view thereof; and,  
FIG. 8 is a bottom plan view thereof.  
The broken lines in the figures illustrate portions of the charger for robotic vacuum cleaner that form no part of the claimed design.

**1 Claim, 8 Drawing Sheets**



(56)

**References Cited**

U.S. PATENT DOCUMENTS

2016/0183752 A1\* 6/2016 Morin ..... A47L 9/009  
15/340.1  
2020/0077858 A1\* 3/2020 Zhang ..... A47L 11/4061  
2020/0187736 A1\* 6/2020 Jeong ..... A47L 9/2873  
2020/0359868 A1\* 11/2020 Bo ..... A47L 9/2873  
2020/0405107 A1\* 12/2020 Na ..... A47L 5/22  
2021/0330157 A1\* 10/2021 Conrad ..... A47L 9/248  
2021/0330168 A1\* 10/2021 Conrad ..... B01D 46/0032  
2022/0022718 A1\* 1/2022 Wu ..... G05D 1/0214  
2022/0047139 A1\* 2/2022 Jeong ..... A47L 9/2805  
2022/0161671 A1\* 5/2022 Liu ..... A47L 11/4005  
2022/0257075 A1\* 8/2022 Kim ..... A47L 9/2857

\* cited by examiner

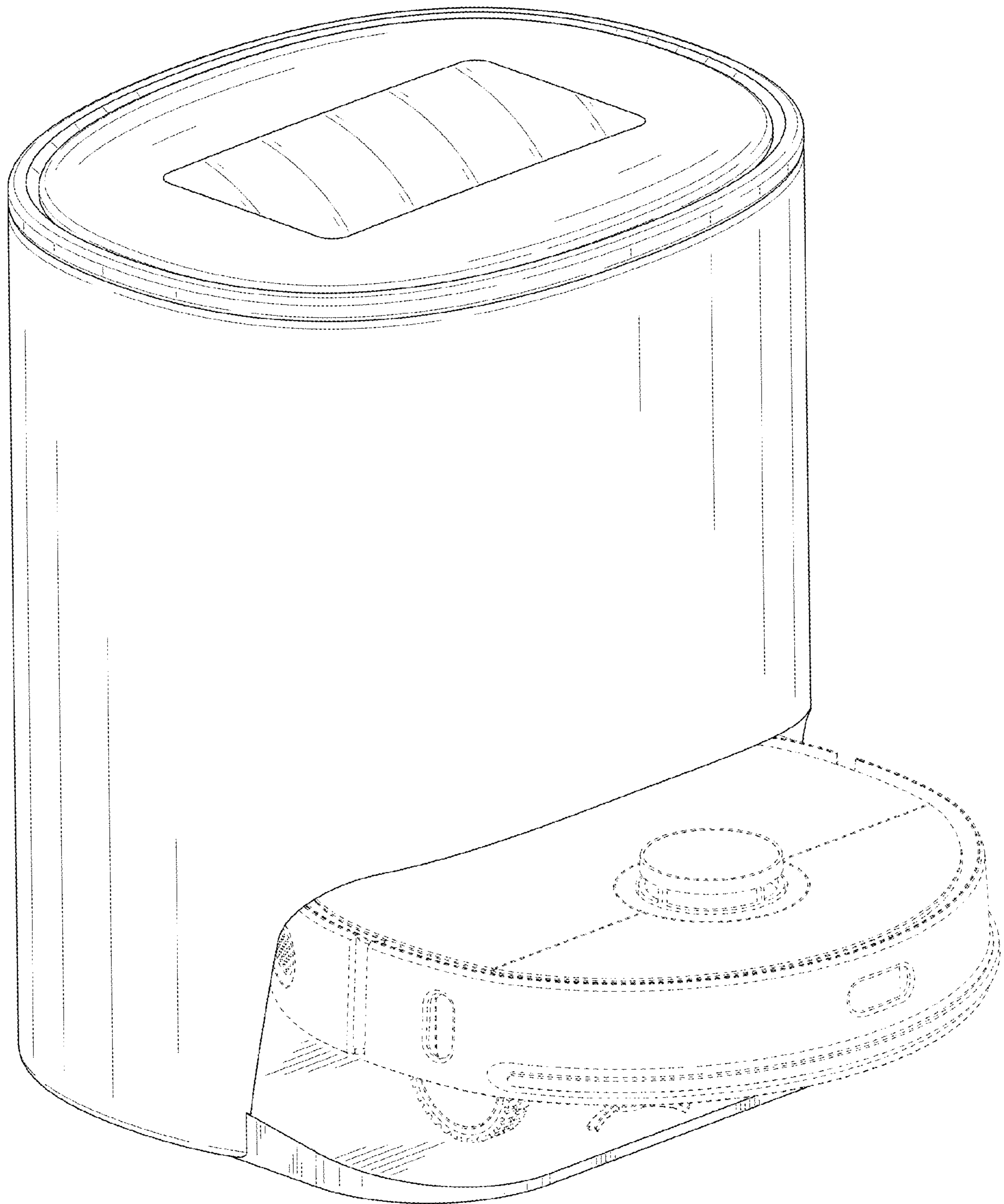


FIG. 1

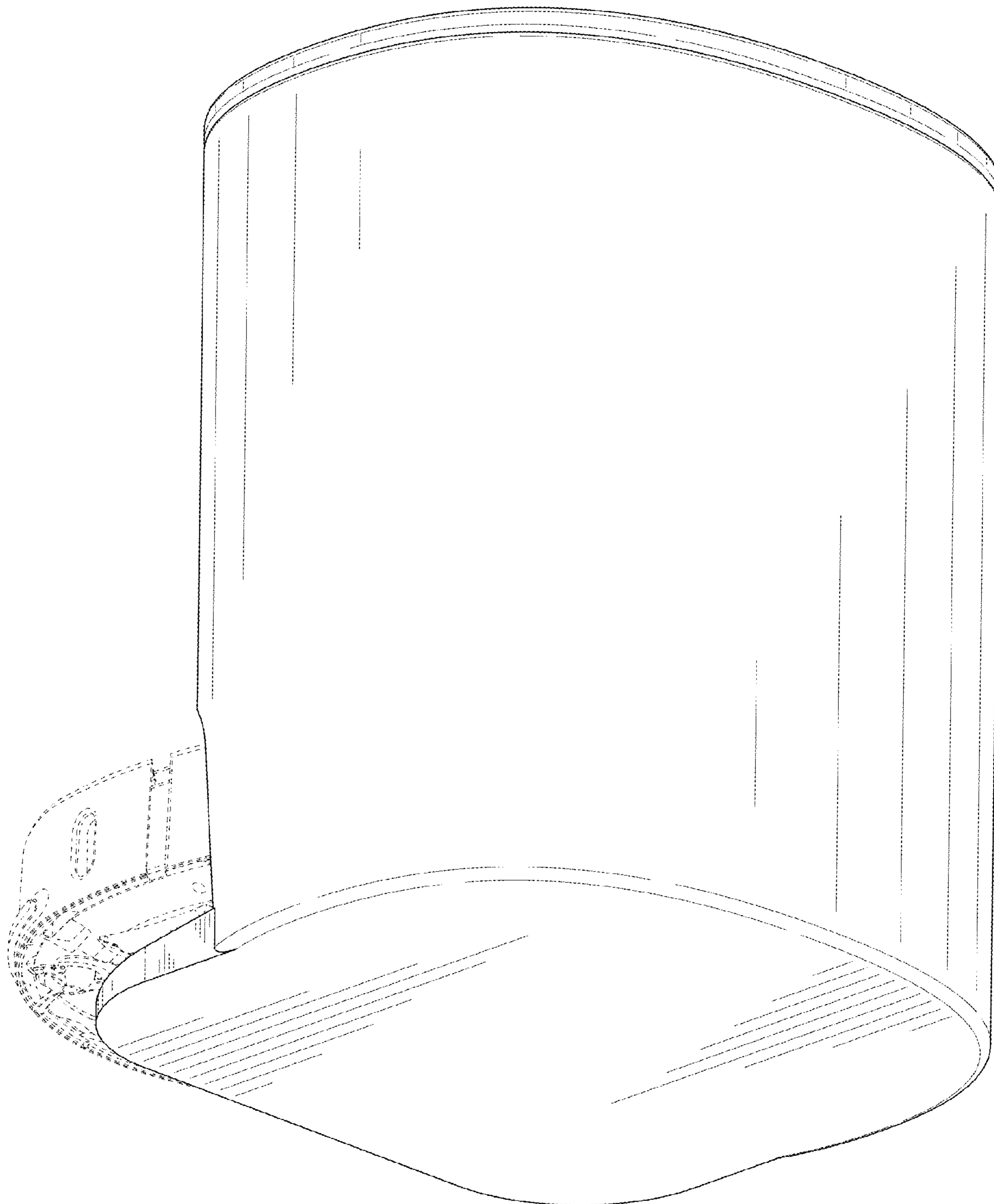


FIG. 2

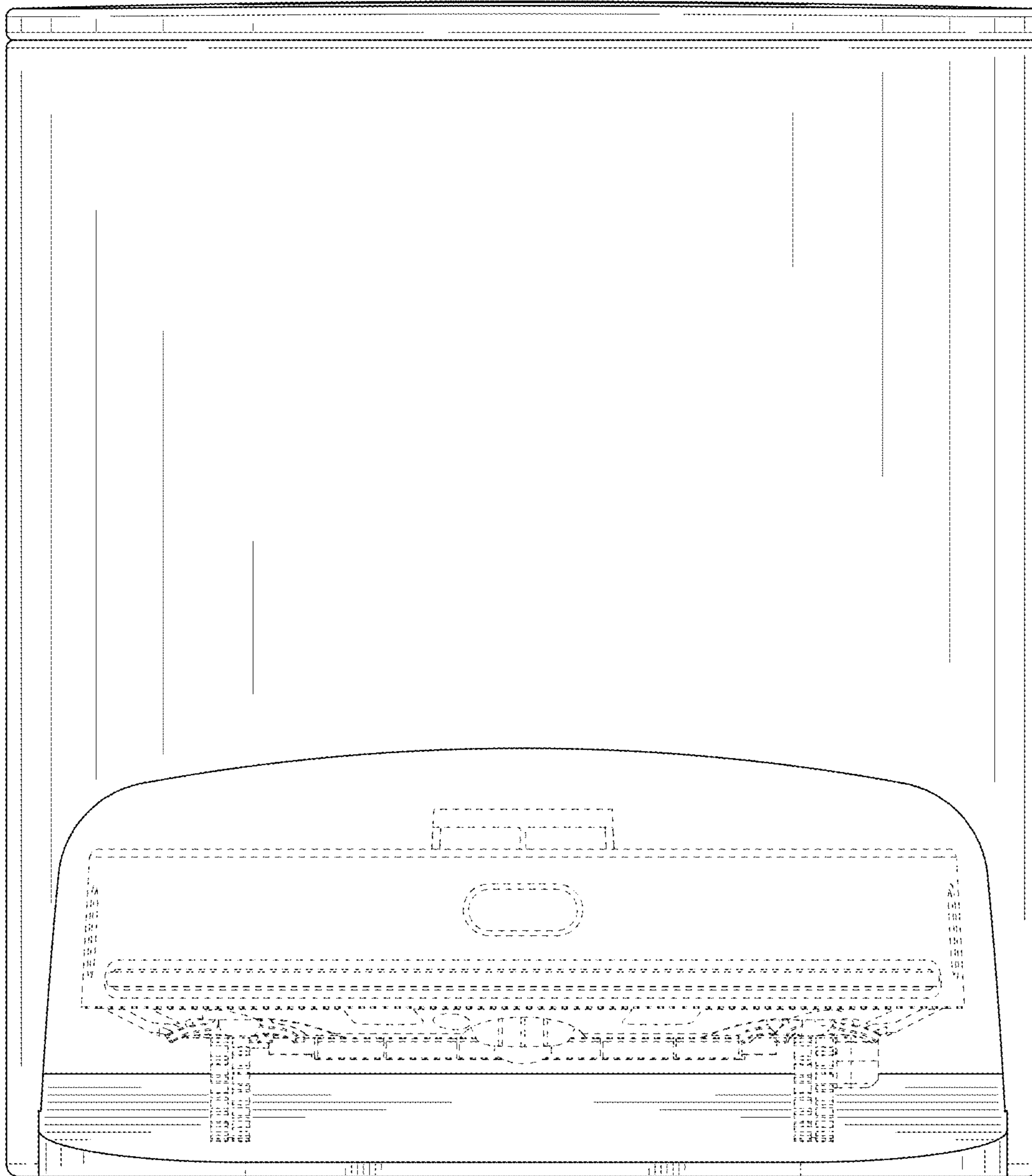


FIG. 3



FIG. 4

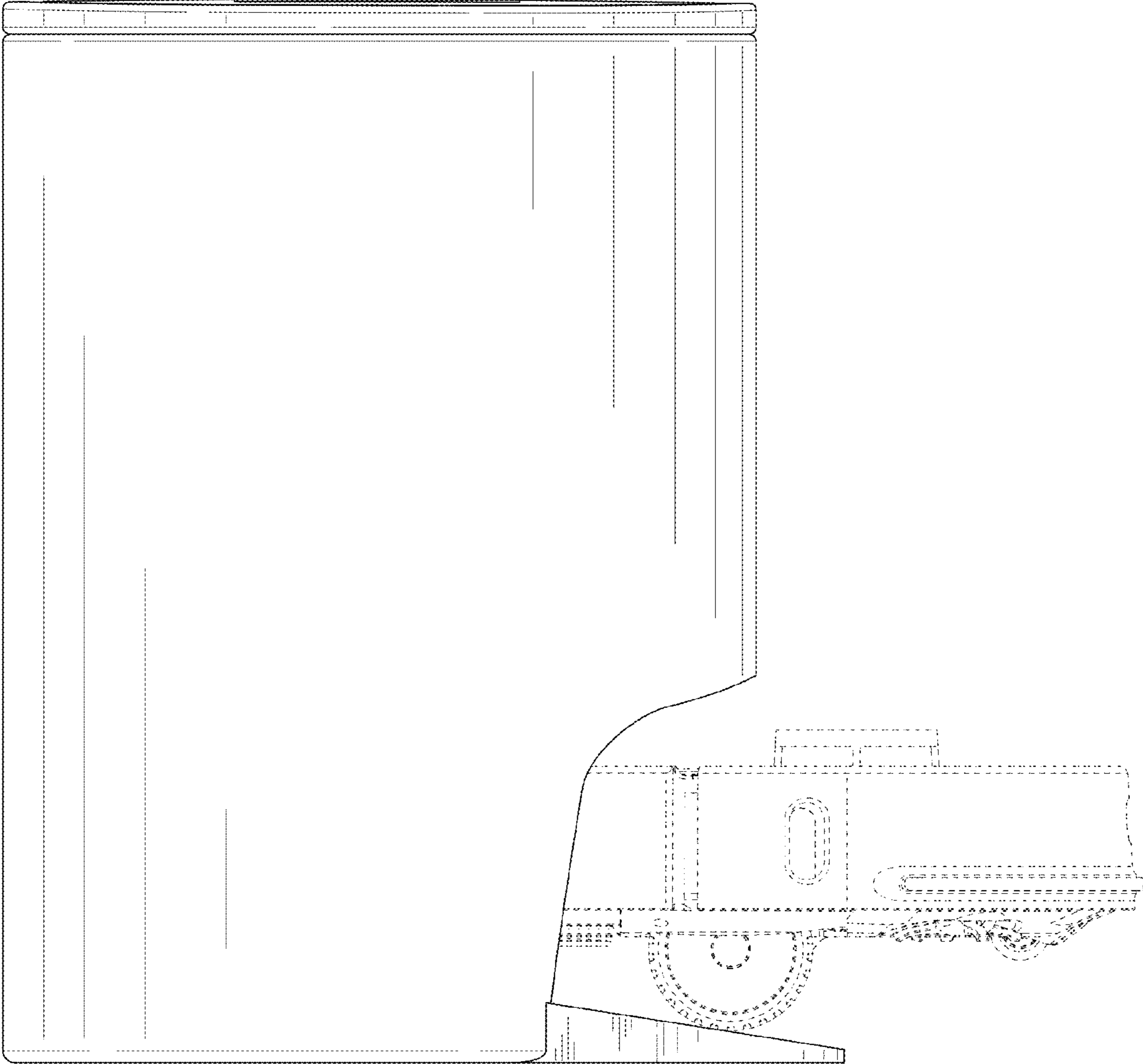


FIG. 5

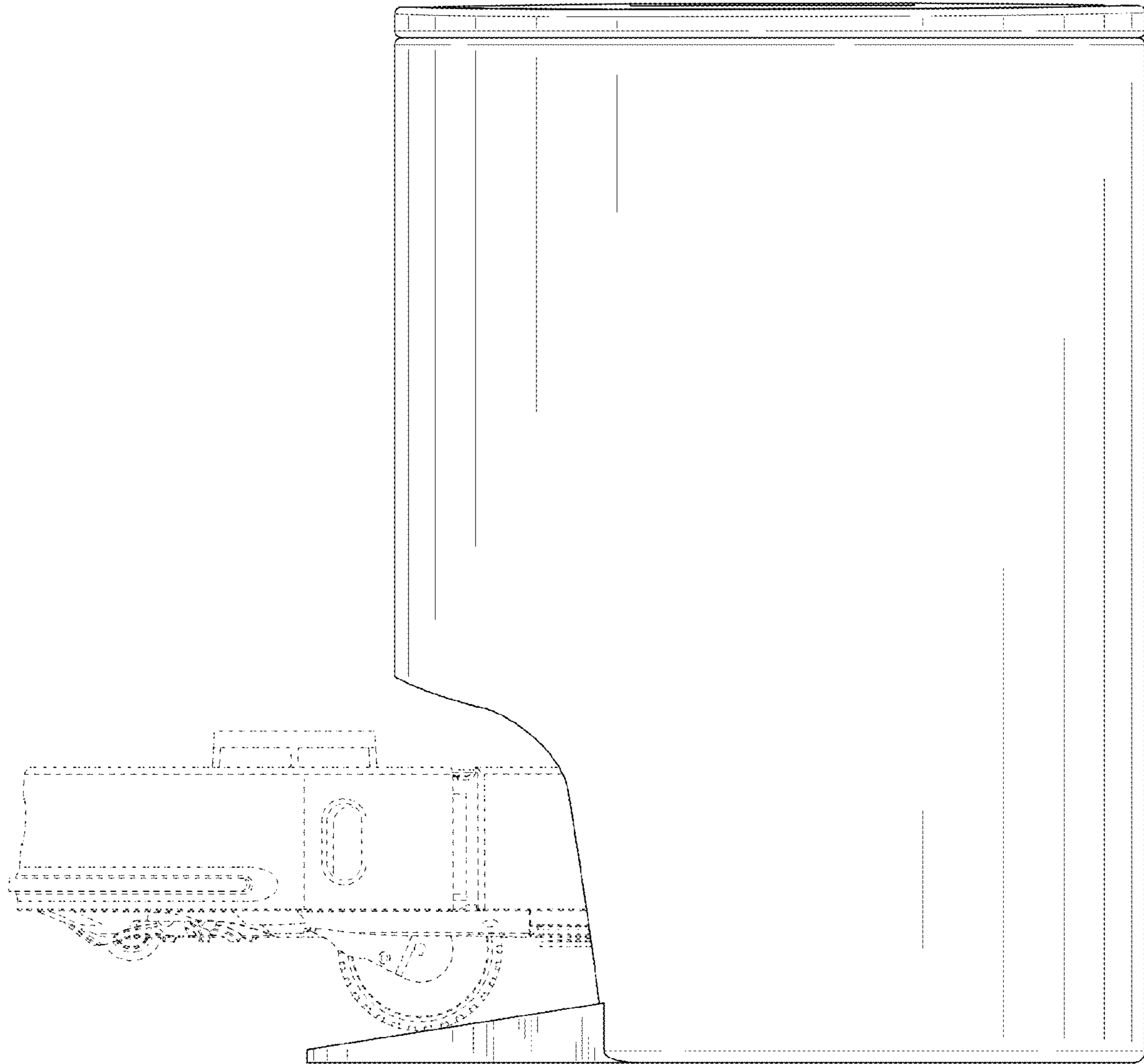


FIG. 6



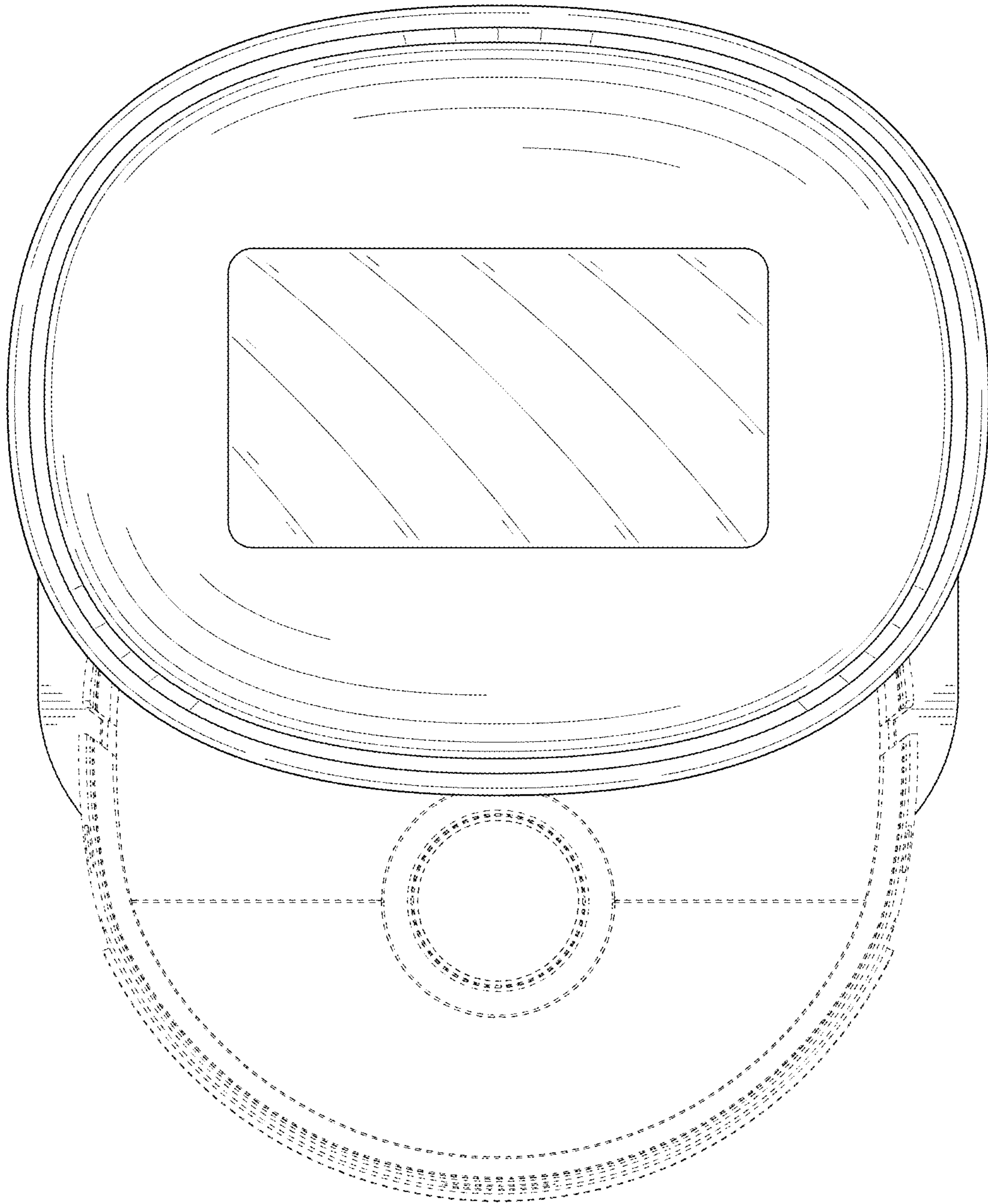


FIG. 7

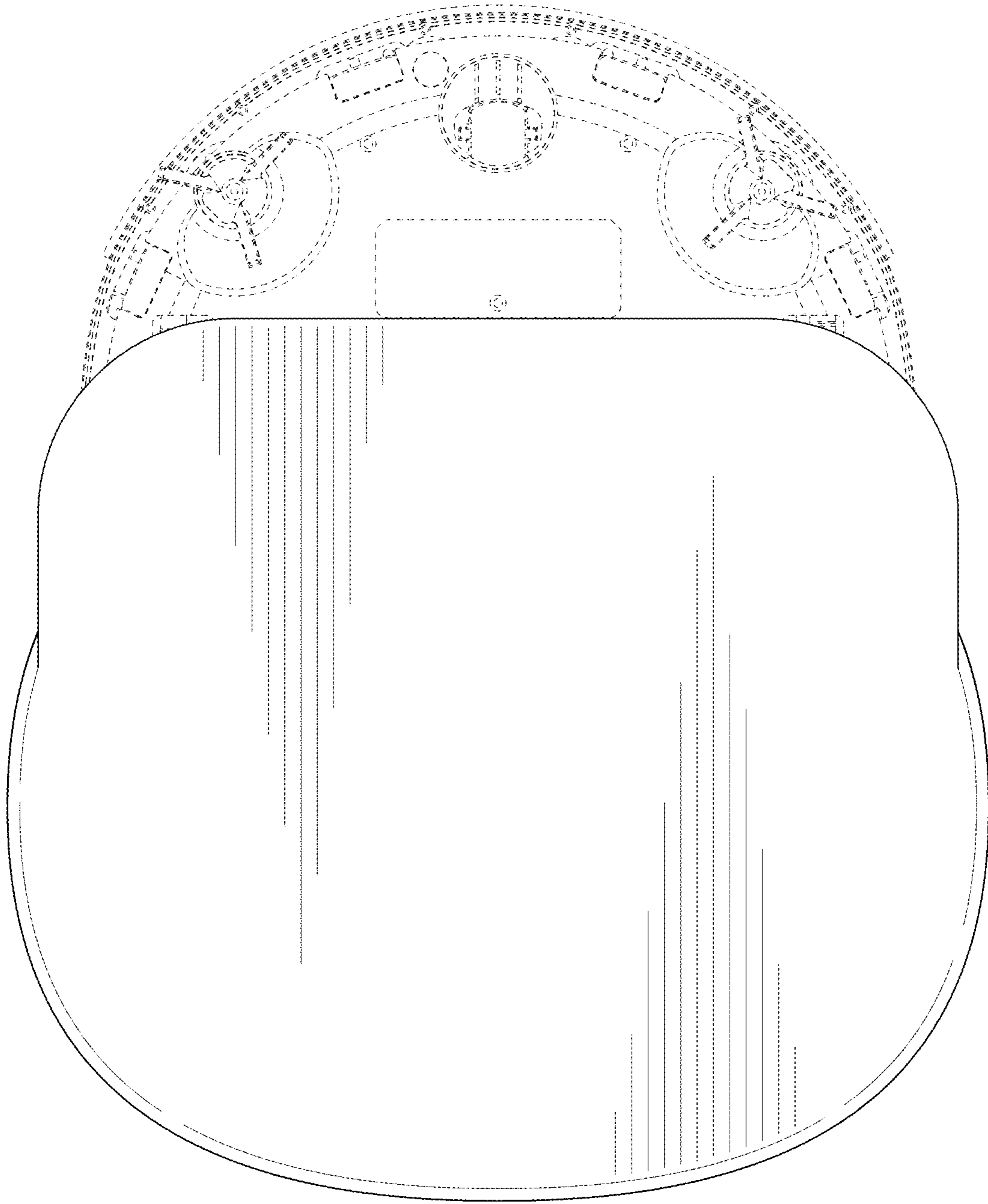


FIG. 8