



US00D976825S

(12) **United States Design Patent**
Peng et al.

(10) **Patent No.: US D976,825 S**
(45) **Date of Patent: ** Jan. 31, 2023**

(54) **WIRELESS CHARGER**

(71) Applicant: **Guanyu (Dongguan) Intelligent Technology Co., Ltd.**, Dongguan (CN)

(72) Inventors: **Cong Peng**, Yichun (CN); **Fei Zou**, Yichun (CN)

(**) Term: **15 Years**

(21) Appl. No.: **29/821,074**

(22) Filed: **Dec. 27, 2021**

(51) **LOC (14) Cl.** **13-02**

(52) **U.S. Cl.**
USPC **D13/108**

(58) **Field of Classification Search**
USPC D13/103, 107, 108, 118, 119, 183;
D14/217, 240, 251, 253, 432, 433, 434,
D14/439, 447
CPC H02J 7/0049; H02J 50/05; H02J 7/0027;
H04M 1/06
See application file for complete search history.

(56) **References Cited**

U.S. PATENT DOCUMENTS

D572,188 S *	7/2008	Prat-Pfister	D13/108
D621,346 S *	8/2010	Navid	D13/108
D638,789 S *	5/2011	Markowitz	D13/108
D762,650 S *	8/2016	Dang	D14/434
D851,587 S *	6/2019	Schmidt	D13/108
D933,598 S	10/2021	Zhang		
D942,389 S *	2/2022	Sun	D14/447
D944,788 S *	3/2022	Huang	D14/253
D951,864 S *	5/2022	Chen	D13/108
D955,331 S *	6/2022	Wang	D13/108
D957,329 S *	7/2022	Turksu	D13/108
2011/0234154 A1 *	9/2011	Navid	H02J 7/0049 320/108
2019/0190283 A1 *	6/2019	Lee	H04M 1/04
2020/0185952 A1 *	6/2020	Morrow	H02J 50/005

FOREIGN PATENT DOCUMENTS

EM 008807150-0001 * 1/2022

OTHER PUBLICATIONS

“Pilita Magnetic Wireless Charging Station”. Found online Jul. 26, 2022 at amazon.com. Reference dated Oct. 27, 2021. Retrieved from https://www.amazon.com/dp/B09KH3Z9MF/ref=sspa_dk_detail_0?th=1. (Year: 2021).*

“Acdoob 3 in 1 Magnetic Wireless Charger”. Found online Mar. 8, 2022 at amazon.com. Reference dated Aug. 17, 2021. Retrieved from https://www.amazon.com/dp/B099N75R7W/ref=sspa_dk_detail_2. (Year: 2021).*

“Future Charger”. Found online Apr. 5, 2022 at youtube.com. Reference dated Dec. 21, 2021. Retrieved from <https://www.youtube.com/watch?v=RukeNuyr62c>. (Year: 2021).*

* cited by examiner

Primary Examiner — Kendra Leslie Hamilton
Assistant Examiner — Amanda Christensen

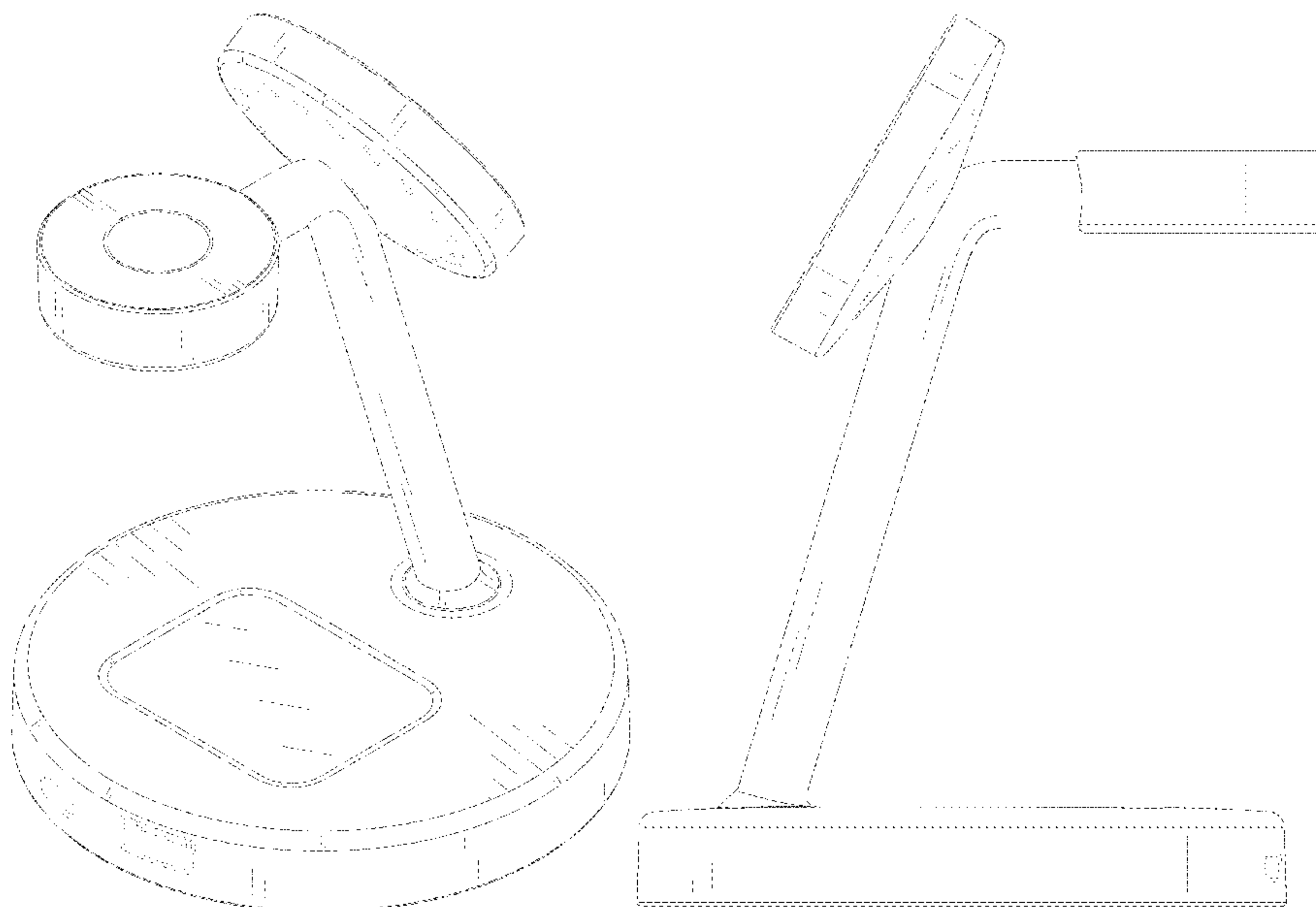
(57) **CLAIM**

The ornamental design for a wireless charger, as shown and described.

DESCRIPTION

FIG. 1 is a front perspective view of a wireless charger, showing my new design;
FIG. 2 is a front view thereof;
FIG. 3 is a rear view thereof;
FIG. 4 is a left side view thereof;
FIG. 5 is a right side view thereof;
FIG. 6 is a top view thereof; and,
FIG. 7 is a bottom view thereof.
The broken lines in the drawings depict portions of the wireless charger, which form no part of the claimed design.

1 Claim, 7 Drawing Sheets



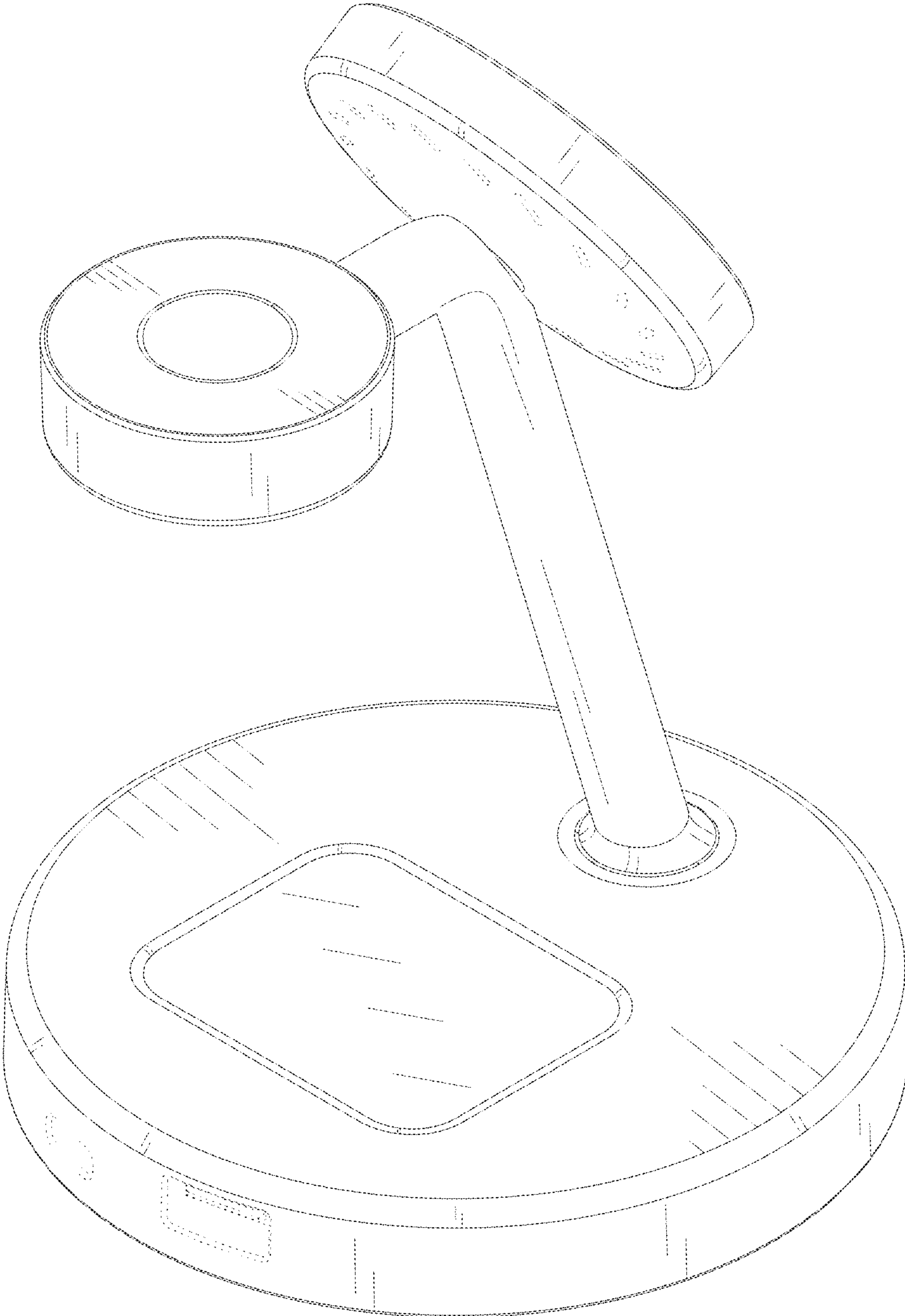


FIG. 1

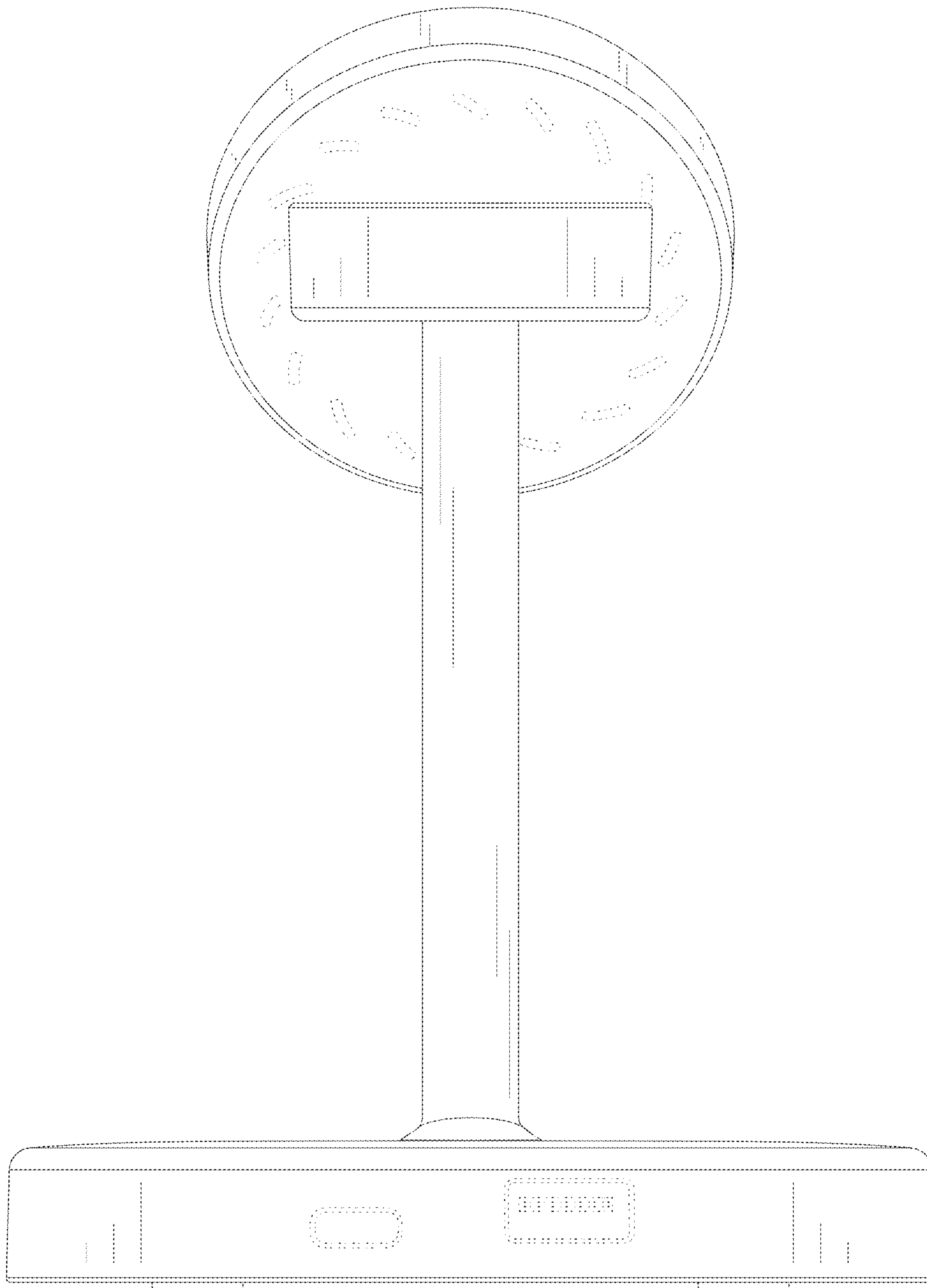


FIG. 2



FIG. 3

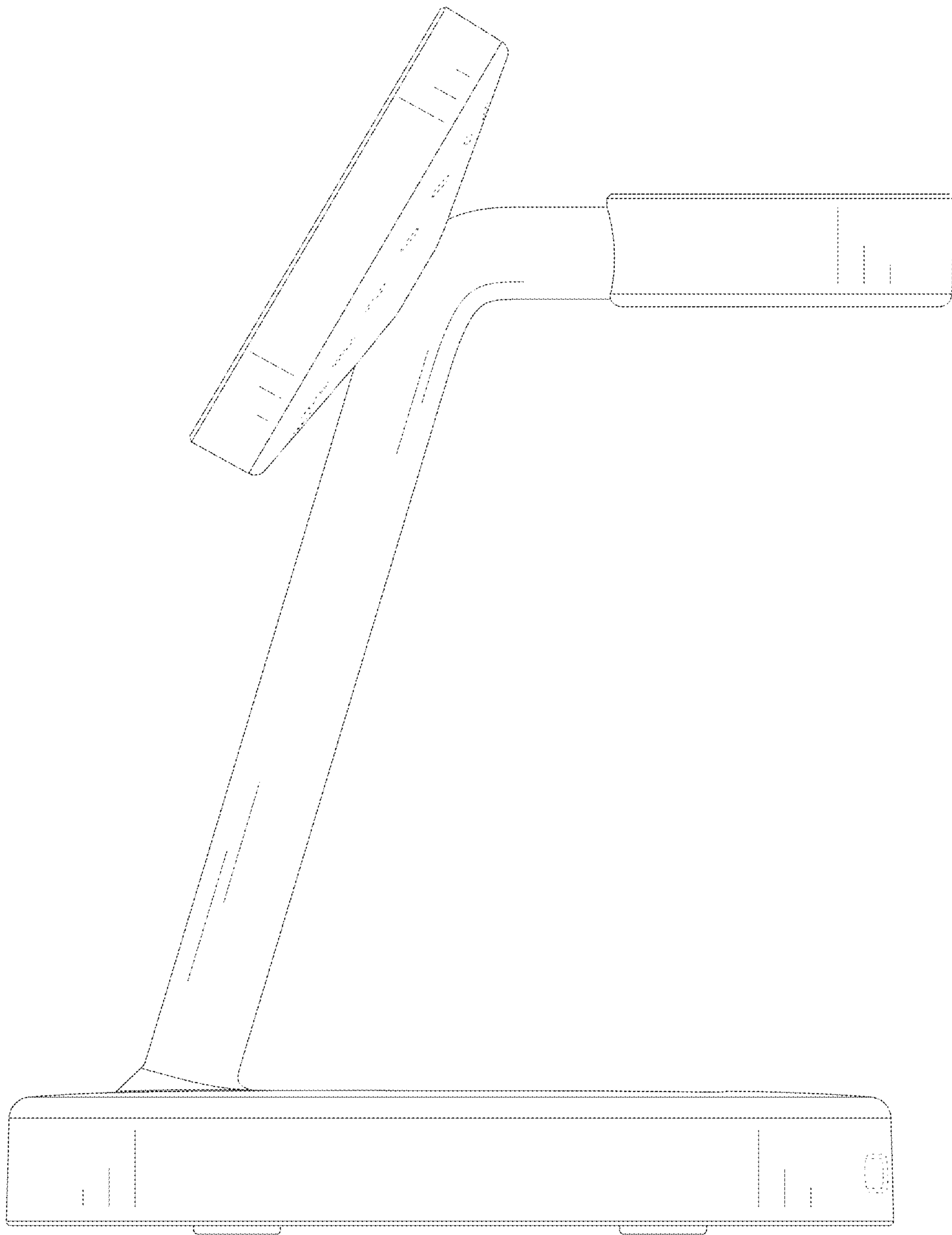


FIG. 4

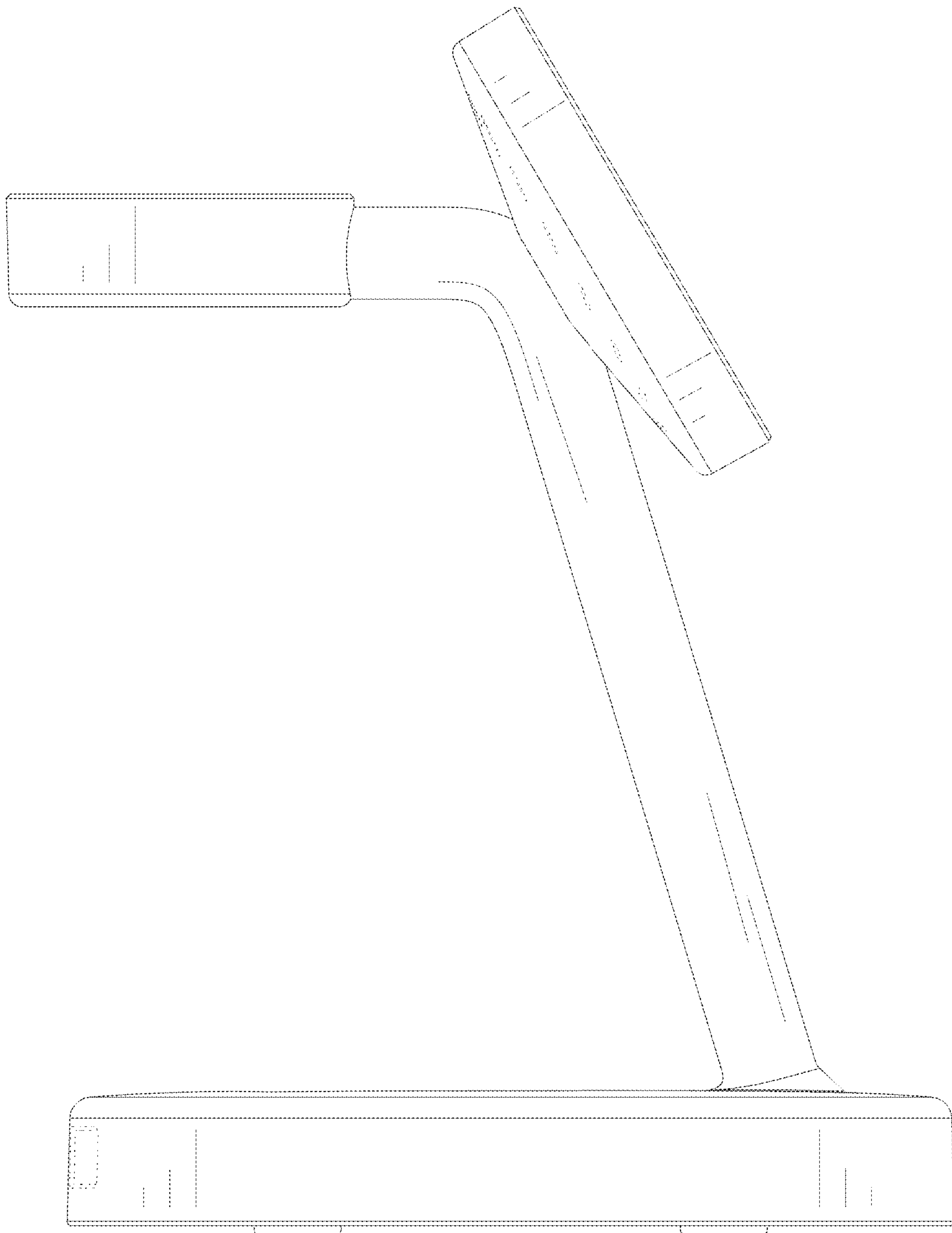


FIG. 5

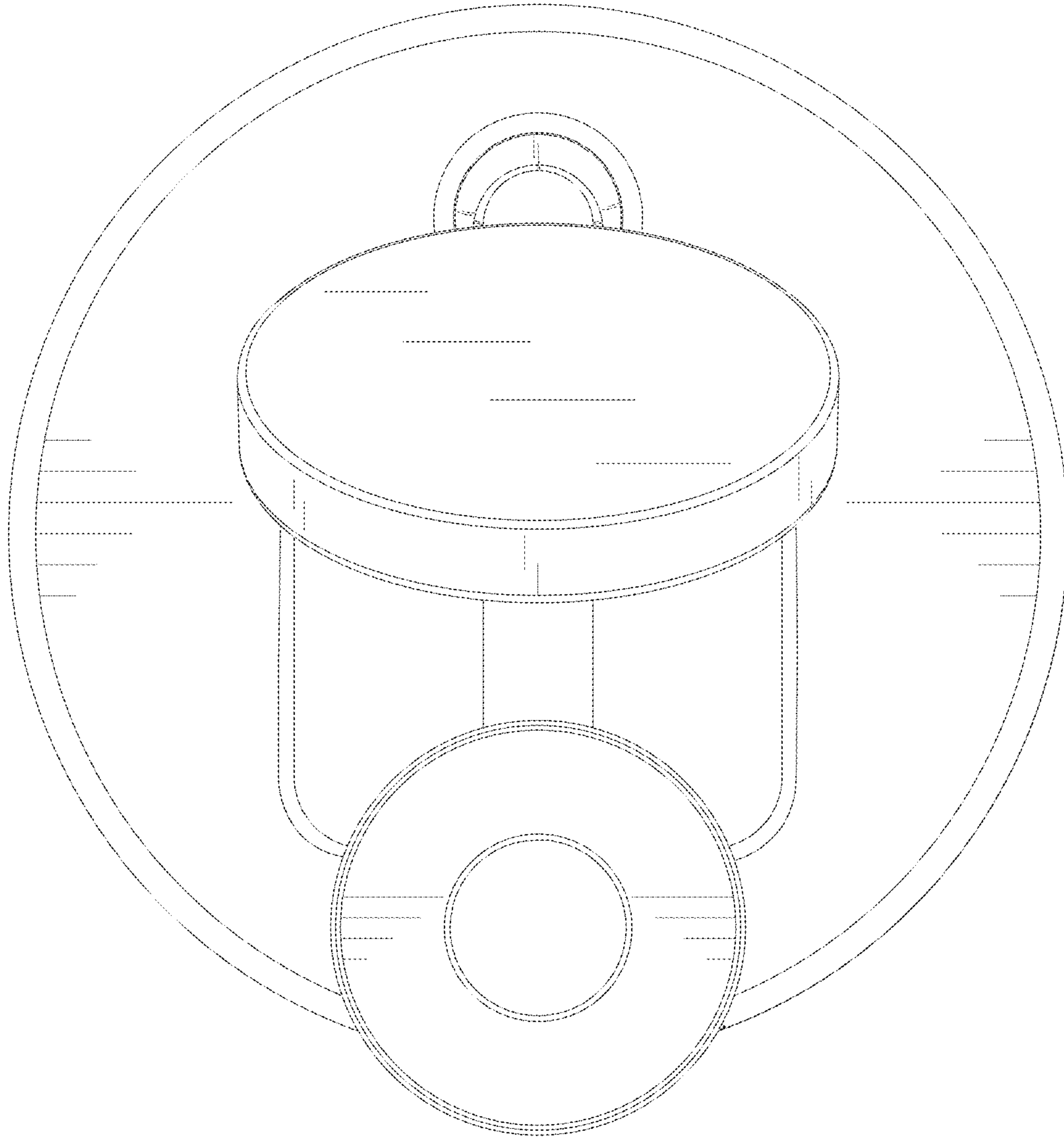


FIG. 6

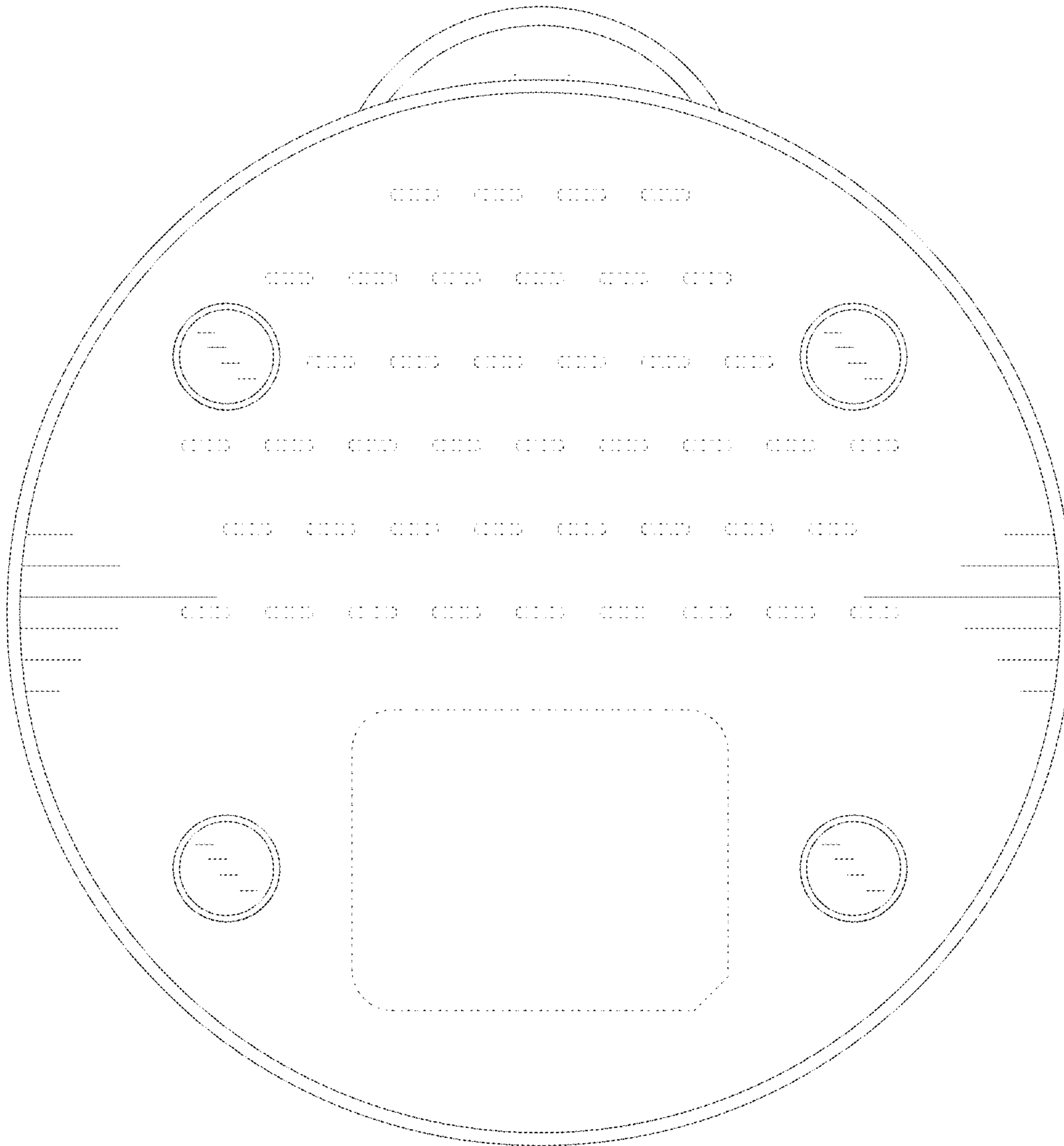


FIG. 7