



US00D976823S

(12) **United States Design Patent**
Chen

(10) **Patent No.:** **US D976,823 S**

(45) **Date of Patent:** **** Jan. 31, 2023**

(54) **MULTIFUNCTIONAL WIRELESS CHARGER**

(71) Applicant: **Xiaodong Chen**, Guangdong (CN)

(72) Inventor: **Xiaodong Chen**, Guangdong (CN)

(**) Term: **15 Years**

(21) Appl. No.: **29/820,928**

(22) Filed: **Dec. 24, 2021**

(51) **LOC (14) Cl.** **13-02**

(52) **U.S. Cl.**
USPC **D13/108**

(58) **Field of Classification Search**
USPC D13/103, 107, 108, 110, 118, 151, 153,
D13/154, 155, 184
CPC Y02E 60/10; Y02E 60/50; H01M 50/10;
H01M 50/107; H01M 50/557; H01M
50/209; H01M 50/502; H01M 2220/30;
H02J 7/00; H02J 7/0003; H02J 7/0011;
H02J 7/0013; H02J 7/0054; H02J 7/0055;
H02J 7/0057

See application file for complete search history.

(56) **References Cited**

U.S. PATENT DOCUMENTS

D422,264 S	*	4/2000	Lux, Jr.	D13/118
D713,341 S	*	9/2014	Repp	D13/118
D756,917 S	*	5/2016	Leabman	D13/108
D872,691 S	*	1/2020	Liao	D13/108
D883,202 S	*	5/2020	Edwards	D13/108
D888,661 S	*	6/2020	Yoon	D13/108
D891,367 S	*	7/2020	Covington	D13/108
D900,737 S	*	11/2020	Hsu	D13/108
D905,631 S	*	12/2020	Nauroy	D13/108
D905,632 S	*	12/2020	Nauroy	D13/108
D908,621 S	*	1/2021	Akana	D13/108
D916,695 S	*	4/2021	Lee	D13/108
D917,452 S	*	4/2021	Lee	D13/108
D927,233 S	*	8/2021	Lee	D6/682

D935,450 S	*	11/2021	Lee	D13/108
D936,567 S	*	11/2021	Wang	D13/108
D936,575 S	*	11/2021	Feng	D13/108
D938,353 S	*	12/2021	Gan	D13/108
D947,766 S	*	4/2022	Lu	D13/108
D952,559 S	*	5/2022	Chen	D13/108
D953,259 S	*	5/2022	Choi	D13/108
D953,260 S	*	5/2022	On	D13/108
D955,981 S	*	6/2022	Hsu	D13/108
D957,325 S	*	7/2022	Turksu	D13/108
D957,326 S	*	7/2022	Turksu	D13/108

OTHER PUBLICATIONS

Amazon.com: Hosaud Wireless Charger . . . Date first available of Jan. 12, 2021. Retrieved from the internet at <<https://www.amazon.com/Wireless-Charger-Charging-Station-Qi-Certified/dp/B08SQPZB1Z/>>, Jul. 13, 2022. 1 page. (Year: 2021).*

* cited by examiner

Primary Examiner — Christy Nemeth

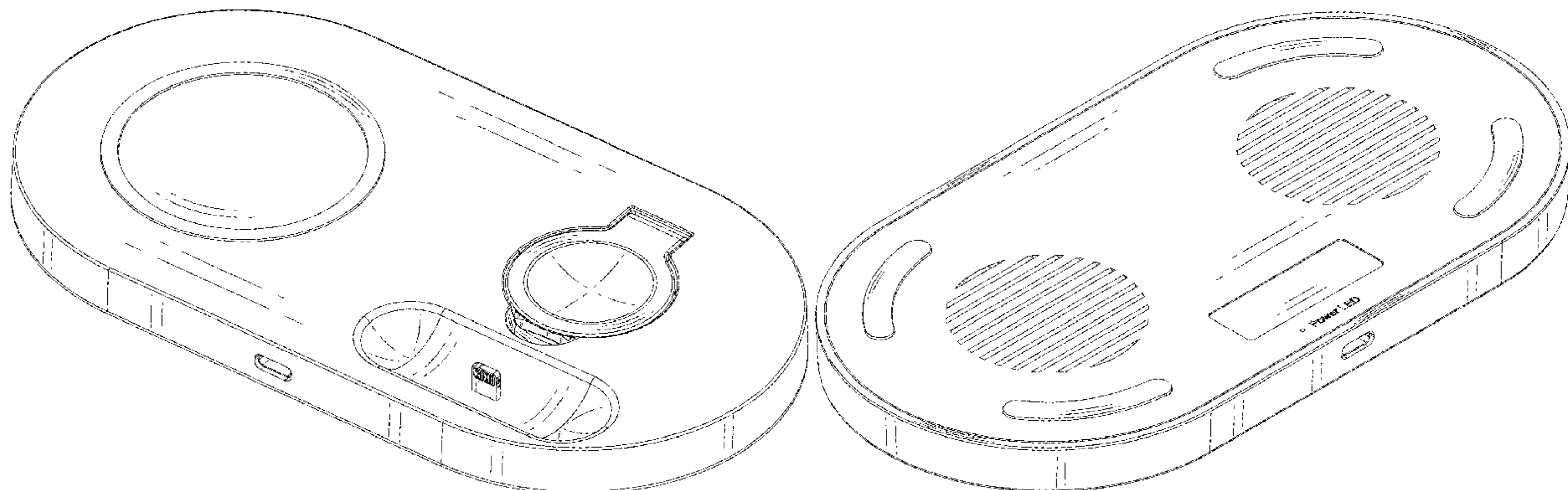
(57) **CLAIM**

The ornamental design for a multifunctional wireless charger, as shown and described.

DESCRIPTION

FIG. 1 is a perspective view of a multifunctional wireless charger showing my new design;
FIG. 2 is a front elevational view thereof;
FIG. 3 is a rear elevational view thereof;
FIG. 4 is a left side elevational view thereof;
FIG. 5 is a right side elevational view thereof;
FIG. 6 is a top plan view thereof;
FIG. 7 is a bottom plan view thereof; and,
FIG. 8 is another perspective view thereof.
The broken lines throughout the drawing figures depict portions of the multifunctional wireless charger that form no part of the claimed design.

1 Claim, 8 Drawing Sheets



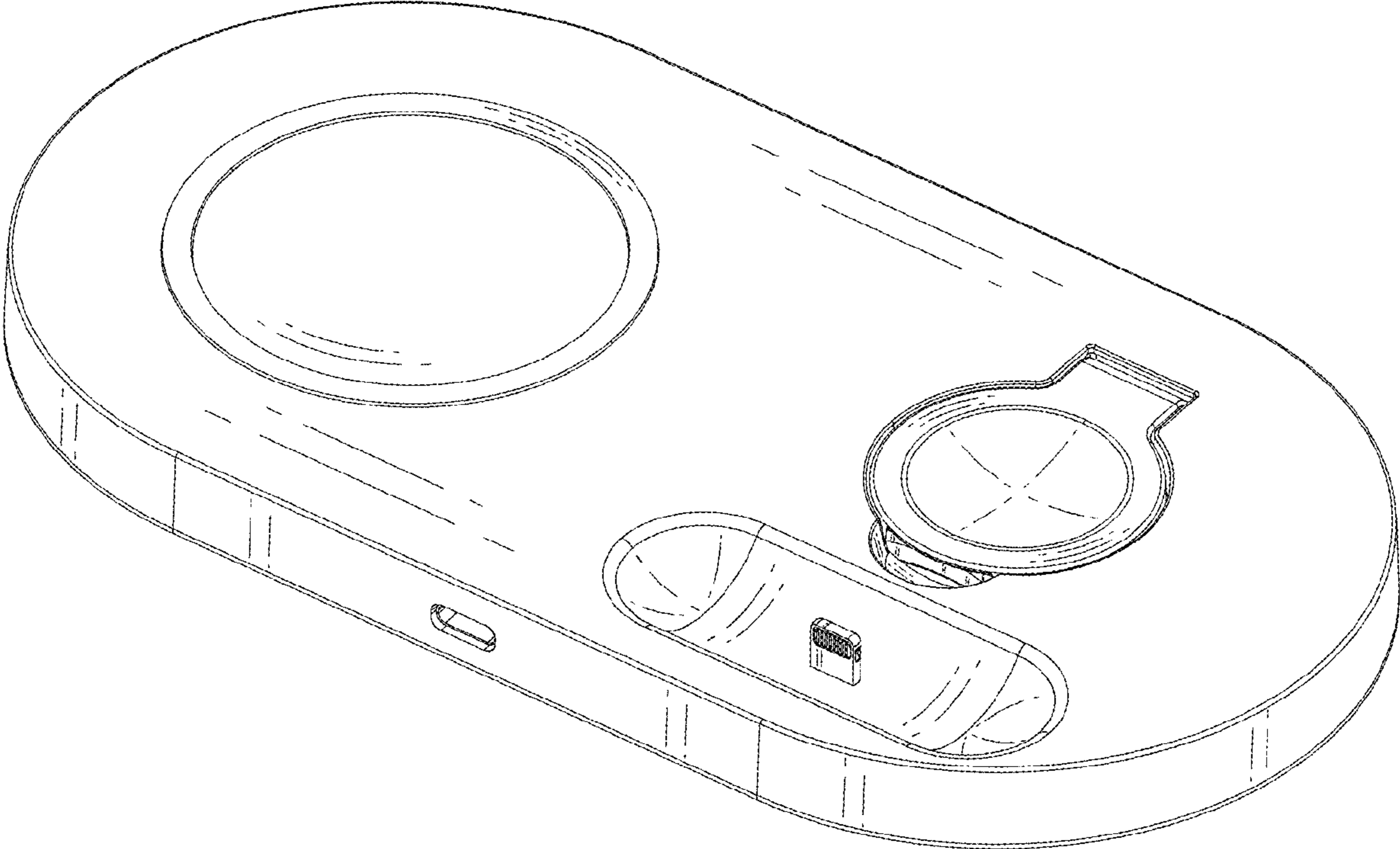


FIG.1

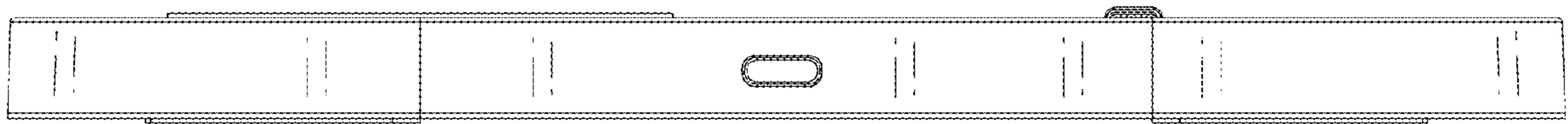


FIG.2

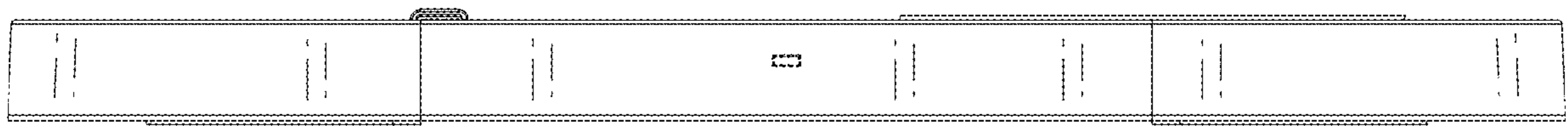


FIG.3

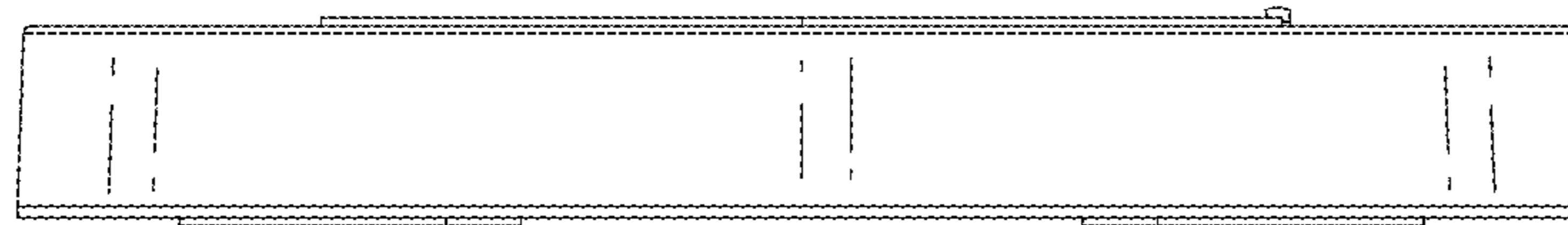


FIG.4

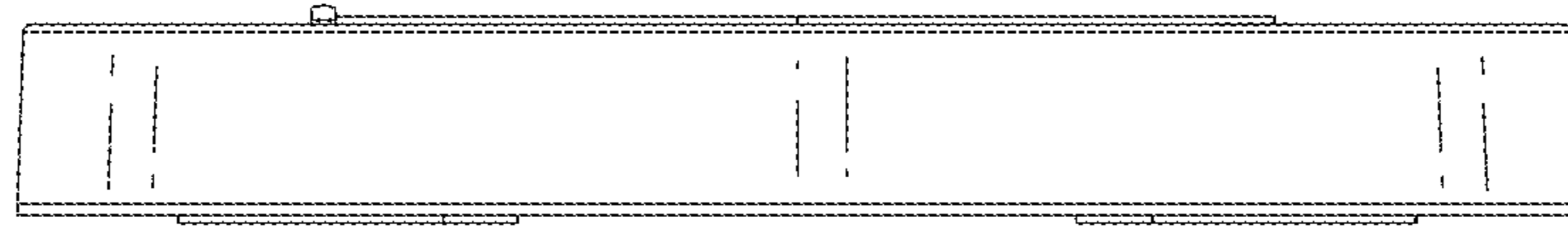


FIG.5

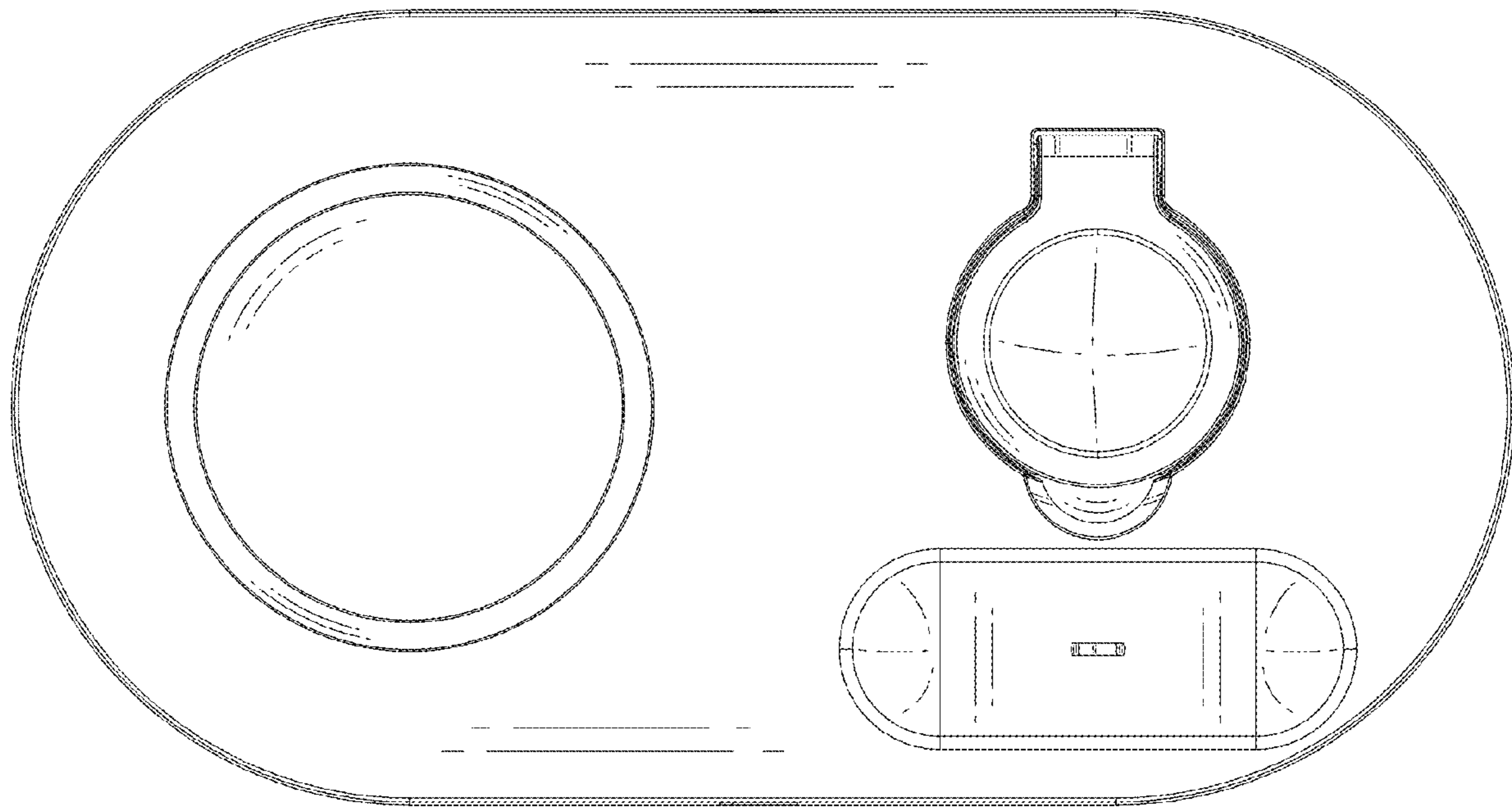


FIG. 6

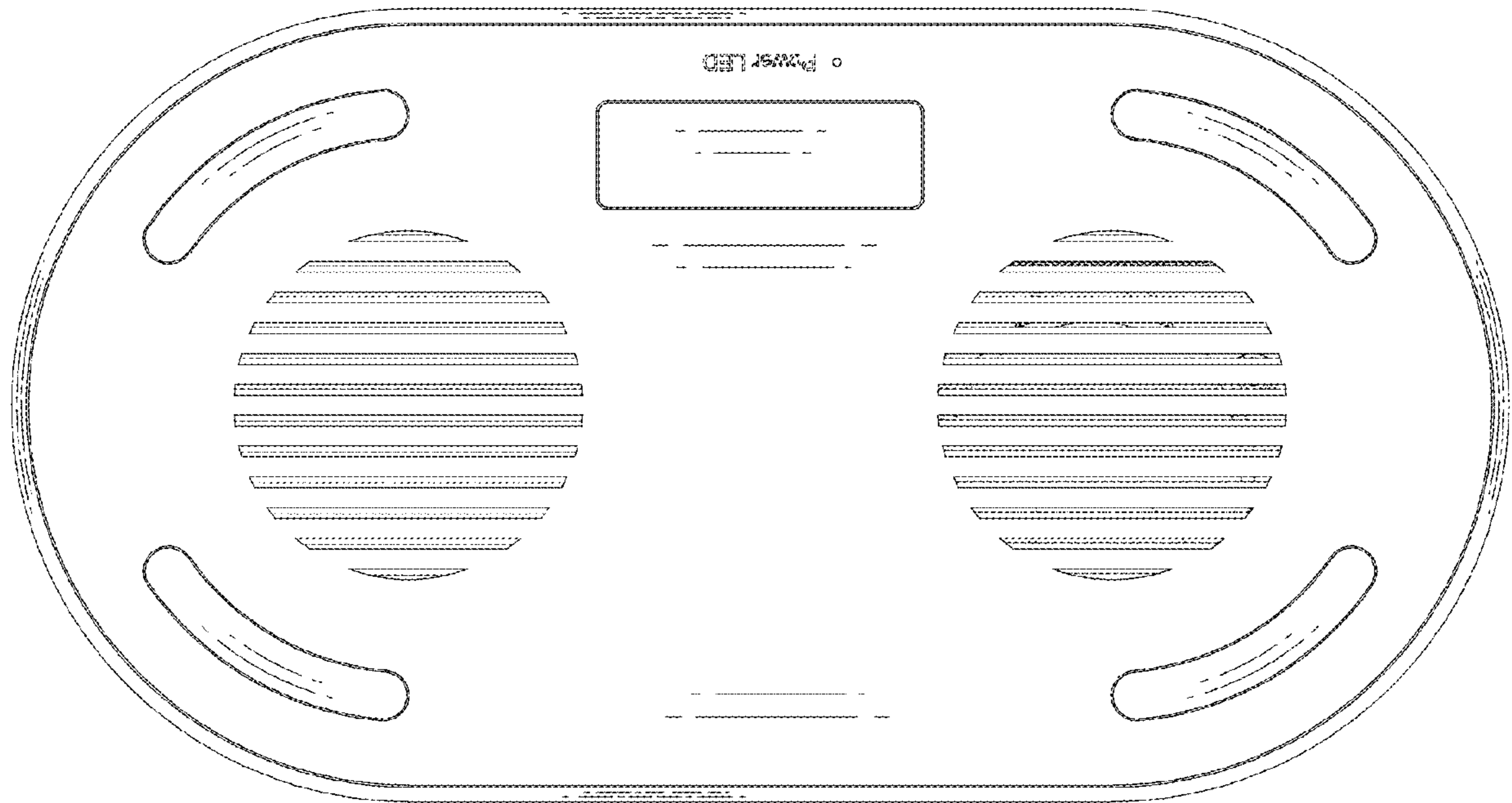


FIG. 7

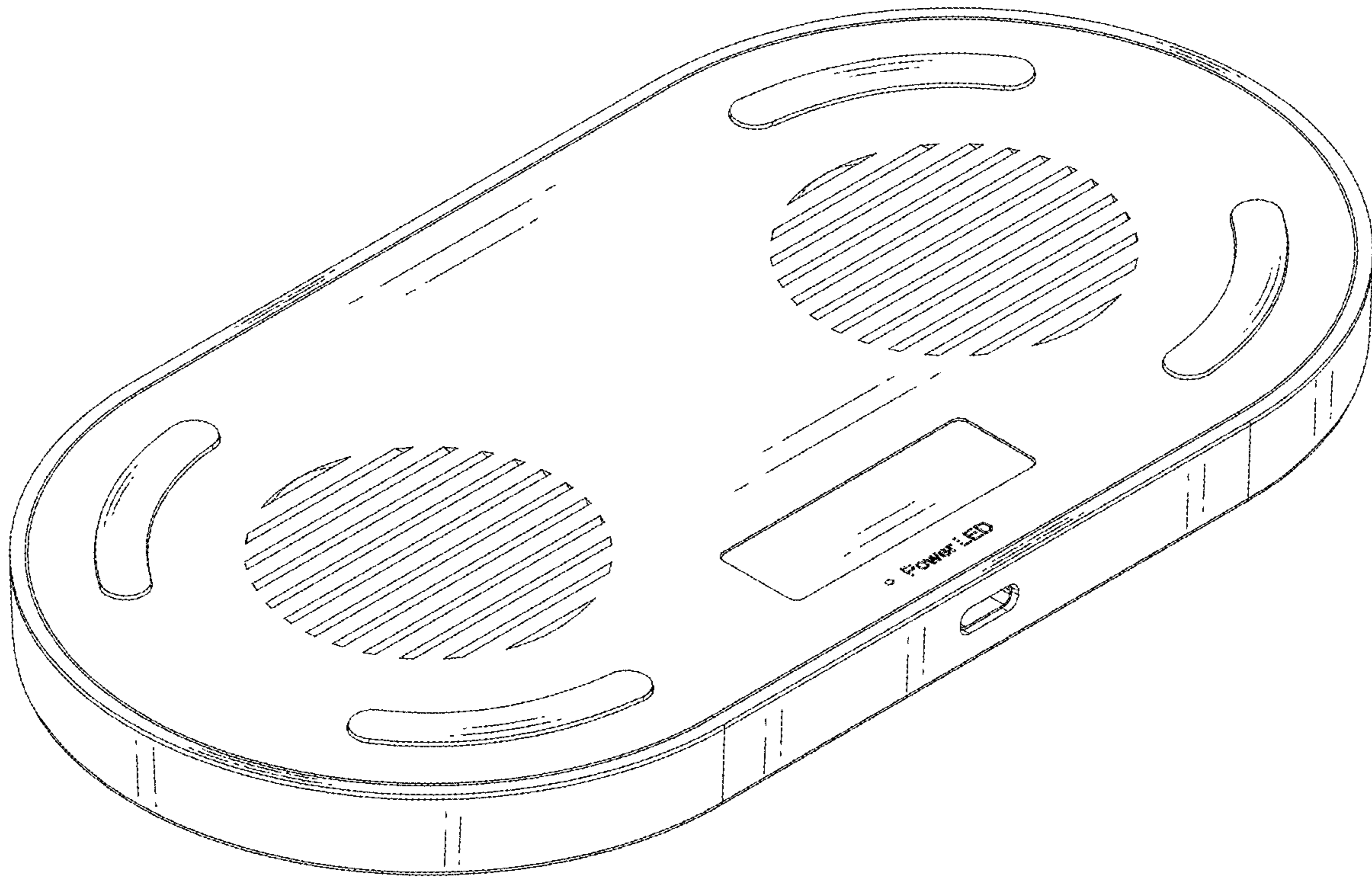


FIG.8